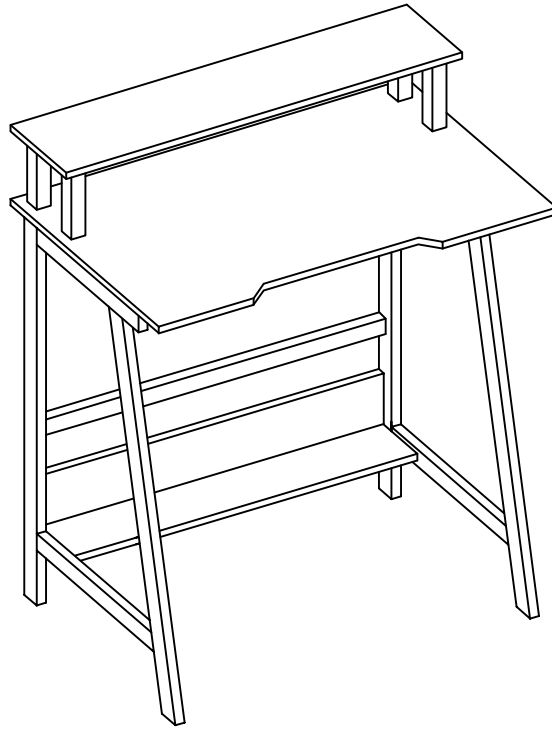


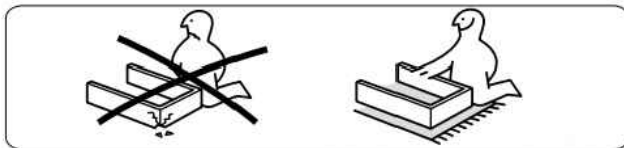
Instruction Manual



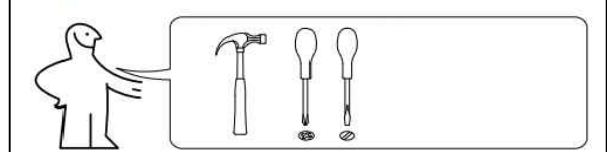
DEAR CUSTOMER,

Thank you for choosing our product. Please read this manual carefully before assembling. If the product is passed on to the third party, this manual has to be passed on along with the product. Enjoy your new purchase!





Assemble Item On a Clean Flat Surface



Tools Required For Assembly

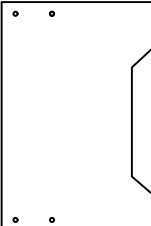
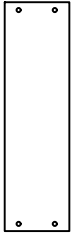







HARDWARE LIST

1	M6*6	2	M6*2.5	3	M6*3.5	4		
								
X4pcs		X4pcs		X4pcs		X9pcs		

PARTS LIST



Note: there will be some error in the measurement, the actual size shall prevail.

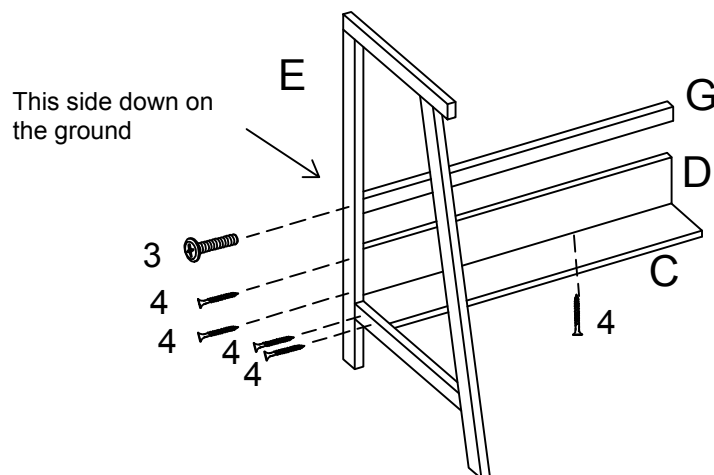
A  x1pc	B  x1pc	C  x1pc	D  x1pc
E  x2pcs	F  x2pcs	G  x1pc	H x1pc

NOTE

Please check that you have all the parts and hardware listed before assembling. Please do not tighten all bolts until the table is assembled completely. If you find that something is missing, please contact the store you purchase immediately. At least every 4 months, check all bolts, screws and knobs to be sure they are tight.

Step:1

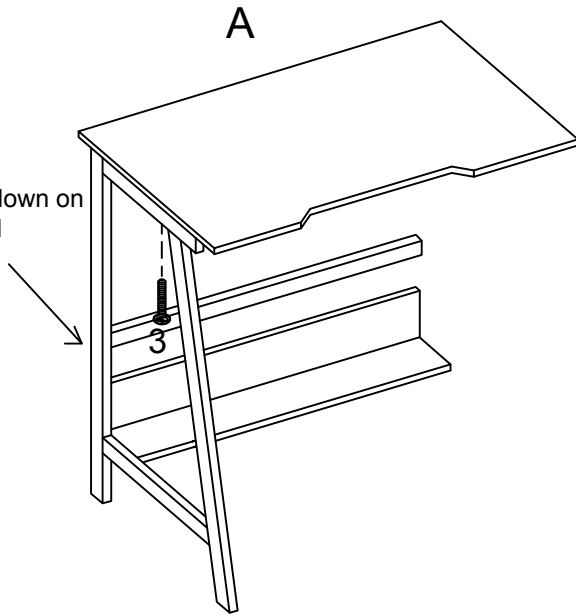
3  x1pcs	4  x4pcs
--	--



Step:2

3
x1pcs

This side down on the ground



Install panel A.

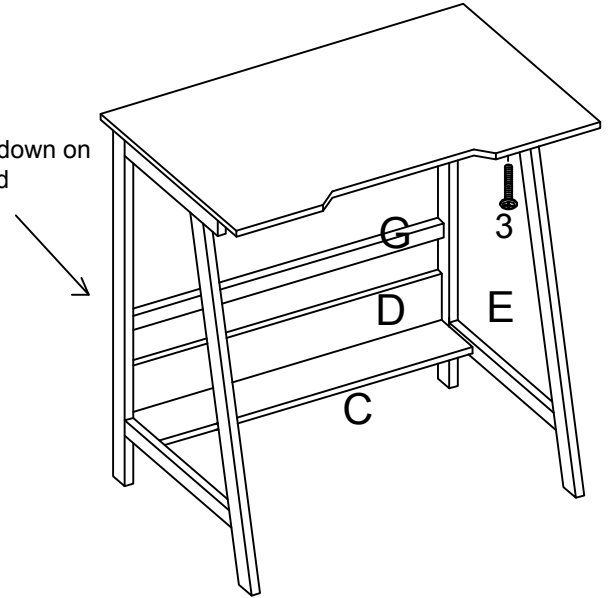
Step:3

3
x2pcs

4
x4pcs

Fix part 3 first, then the other parts

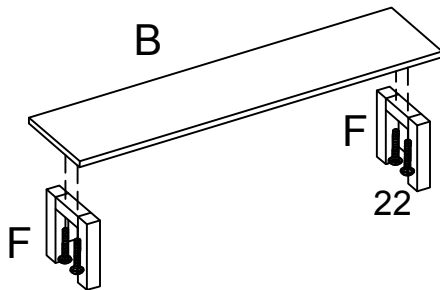
This side down on the ground



Install square tube E.

Step:4

2
x4pcs



Install square tube F.

Step:5

1
x4pcs

If you do not understand, please refer to the installation video;

