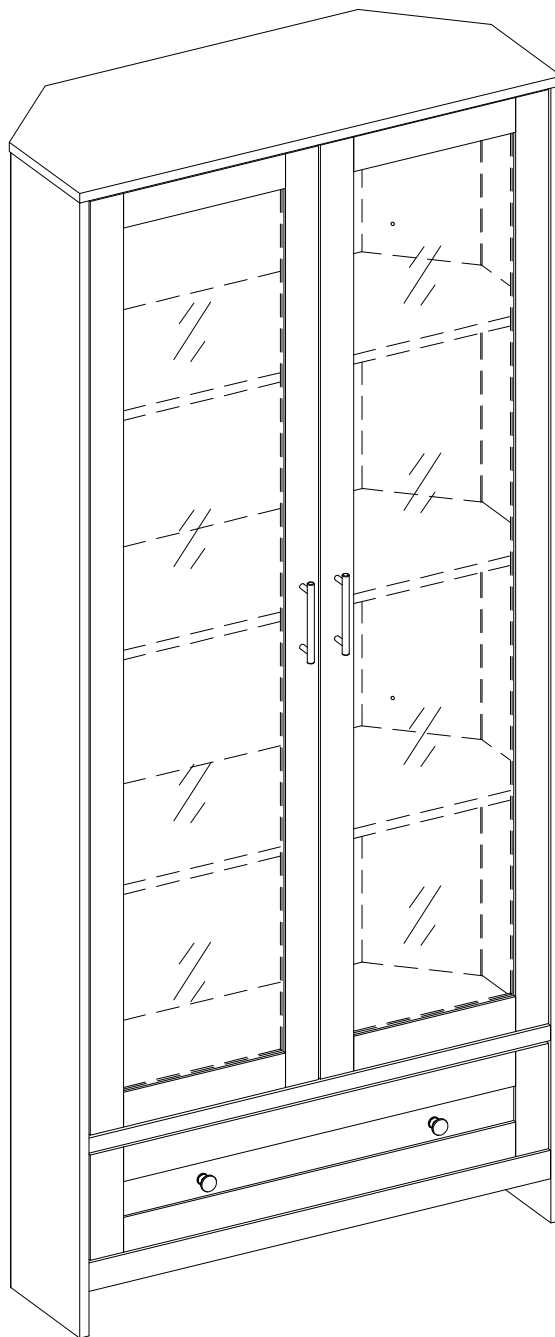
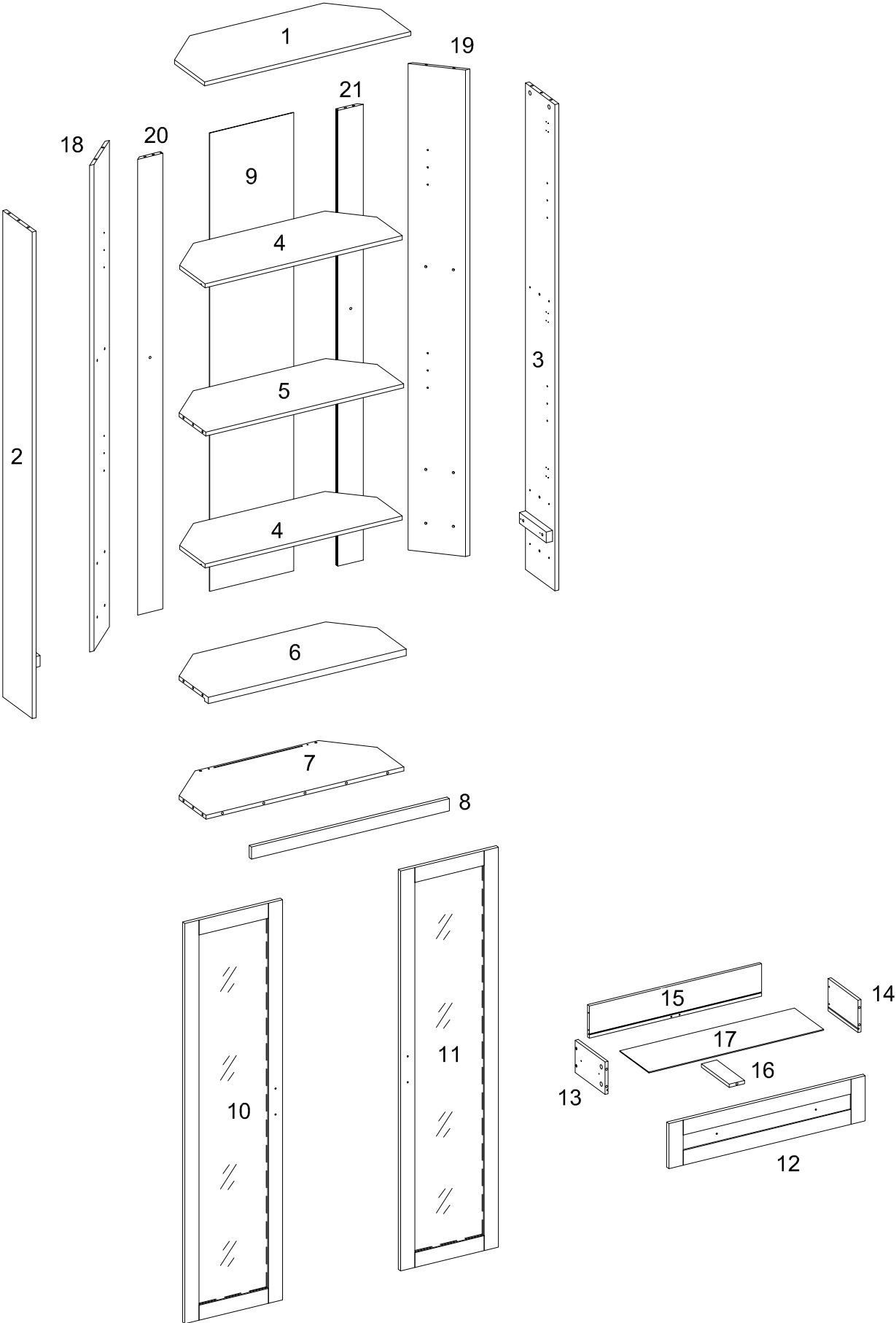


ASSEMBLY INSTRUCTION






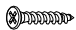


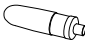

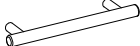




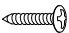
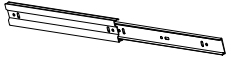



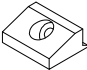
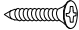


MODEL: H-5585

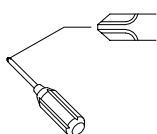


Parts List



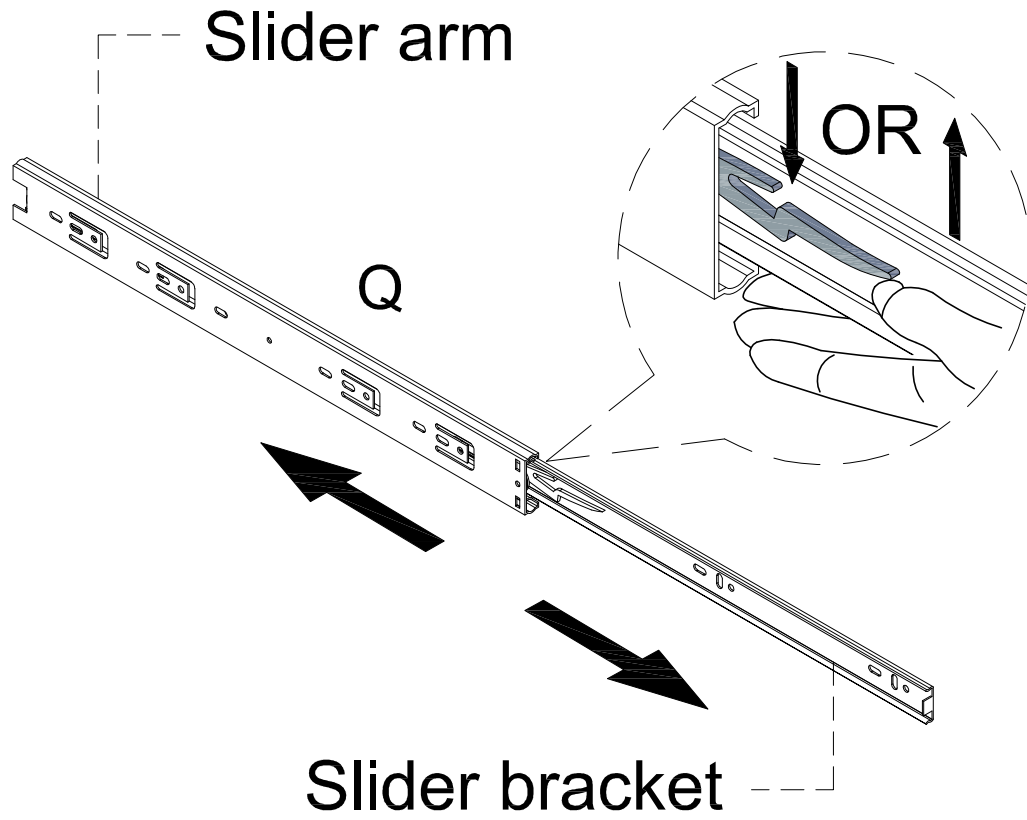
Hardware List

A		Ø8x30mm	Wooden dowel	14 pcs
B		Ø6x35mm	Cam bolt	30 pcs
C		Ø15x11mm	Cam lock	21 pcs
D			Shelf support pin	8 pcs
E			Europe Hinge	6 pcs
F		Ø3.5x15mm	Hinge screw	36 pcs
G		Ø6x50mm	Screw	16 pcs
H			Sticker	30 pcs
I			Glue	1 pcs
J		Ø15x9mm	Small cam lock	9 pcs
K			Handle	2 pcs
L		Ø4x22mm	Handle bolt	4 pcs
M			Magnetic catch	1 pcs
N		Ø3x15mm	Screw	2 pcs
O			Metal piece	2 pcs
P		Ø3x12mm	Screw	10 pcs
Q			Drawer slider	1 set
R		Ø4x32mm	Fast screw	6 pcs
S			Handle	2 pcs
T		Ø4x12mm	Handle bolt	2 pcs
U			Plastic wedge	10 pcs
V		Ø3x17mm	Flat-head screw	10 pcs
W		M 4	Hex key	1 pc
X		Tipping Restraint Hardware (Inside Plastic White Bag)		2 pcs

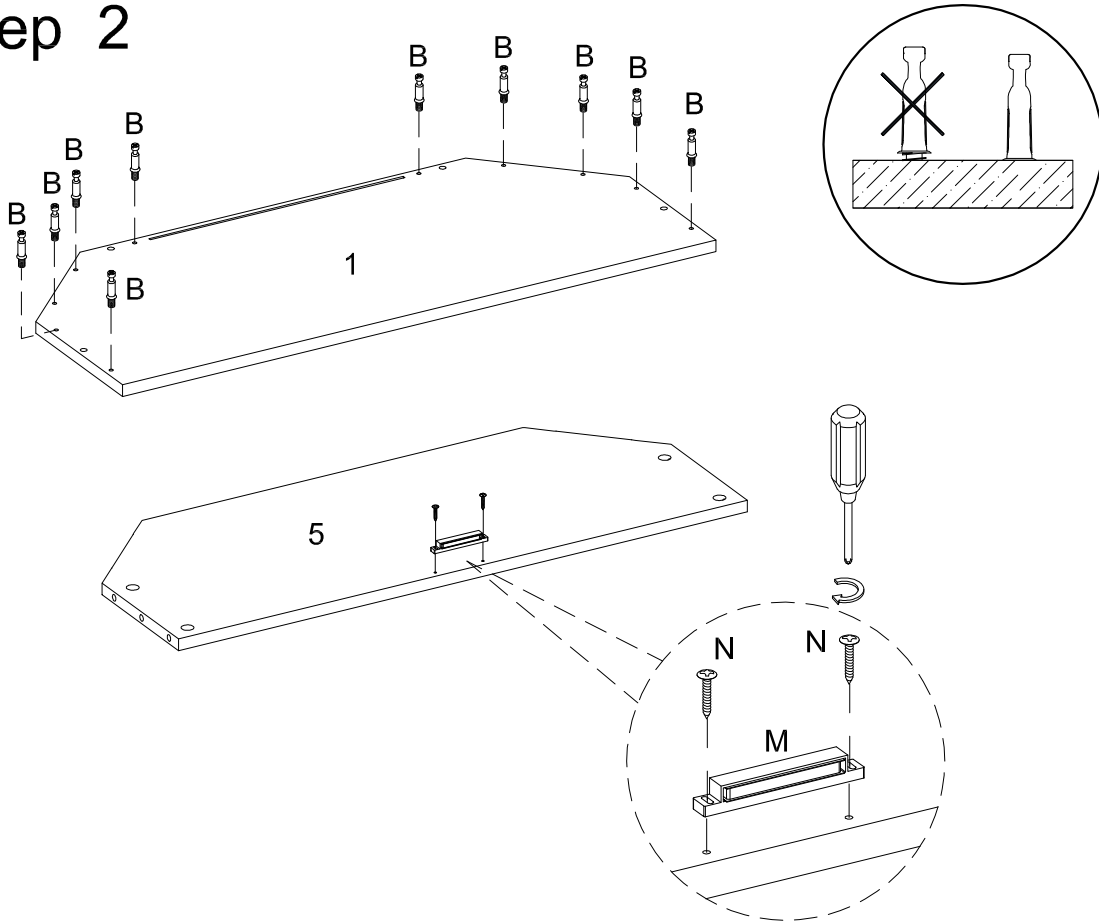


Philips head screwdriver required for assembly
(not included)

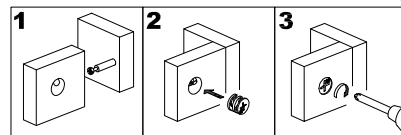
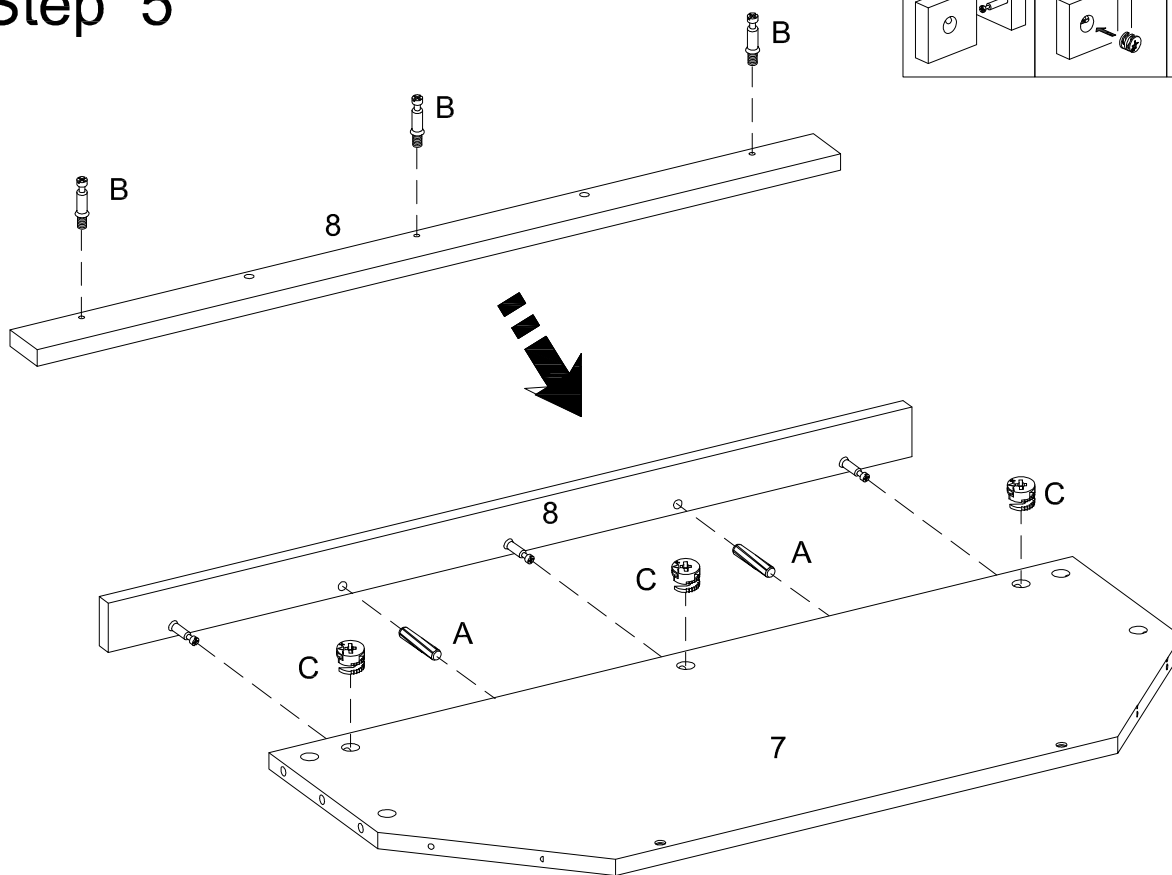
Step 1



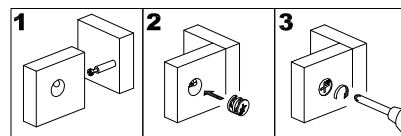
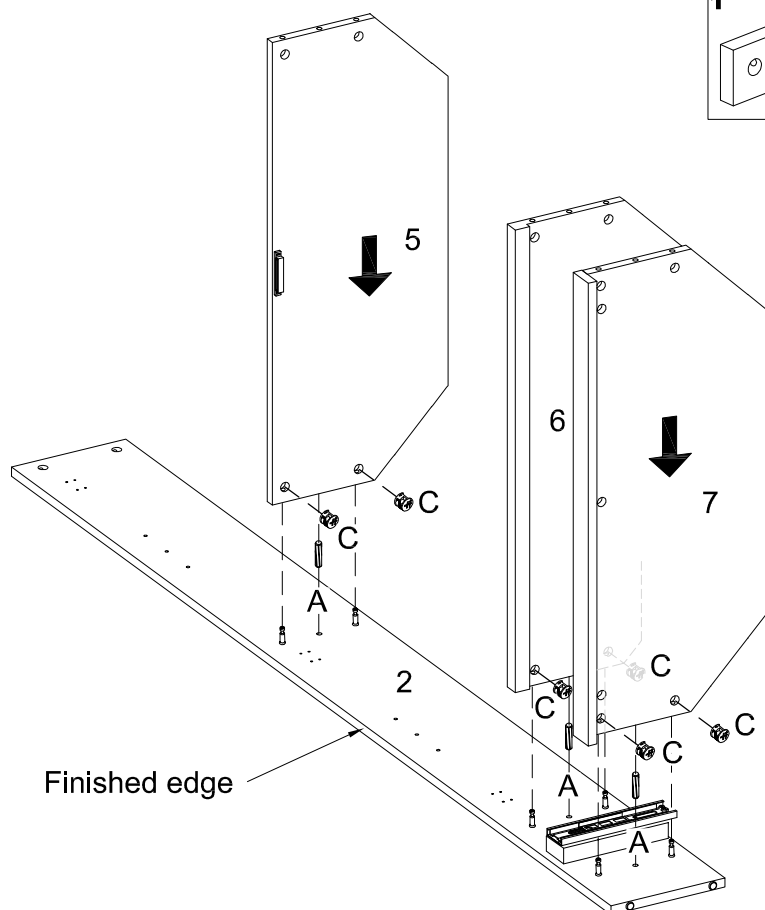
Step 2



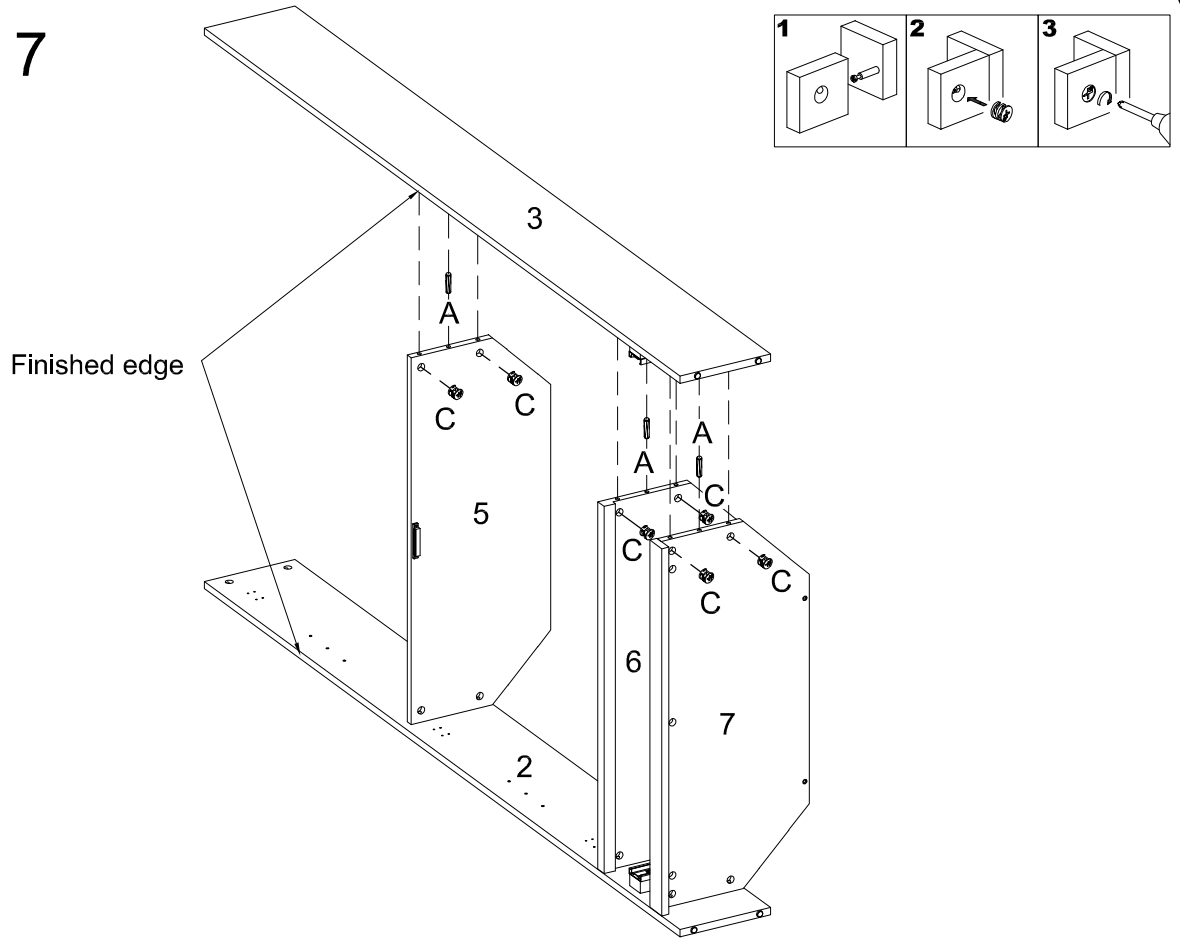
Step 5



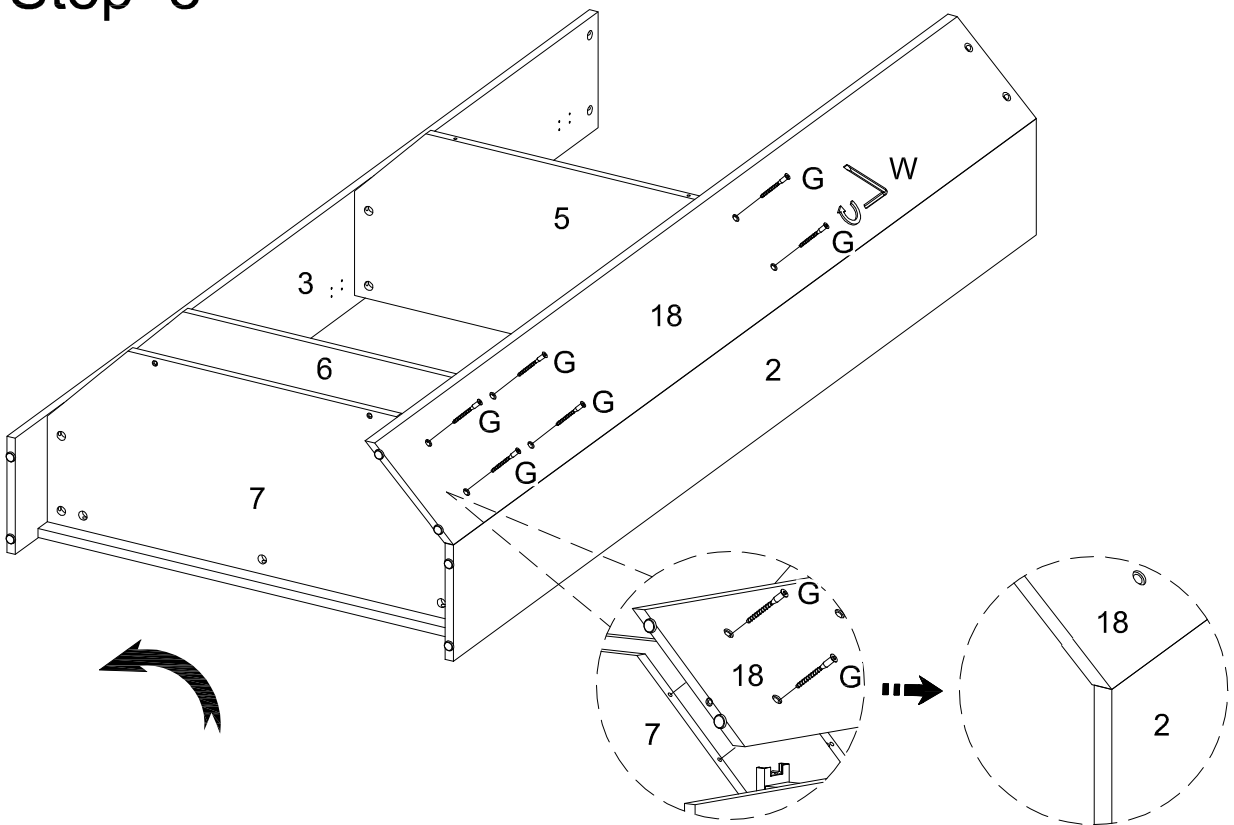
Step 6



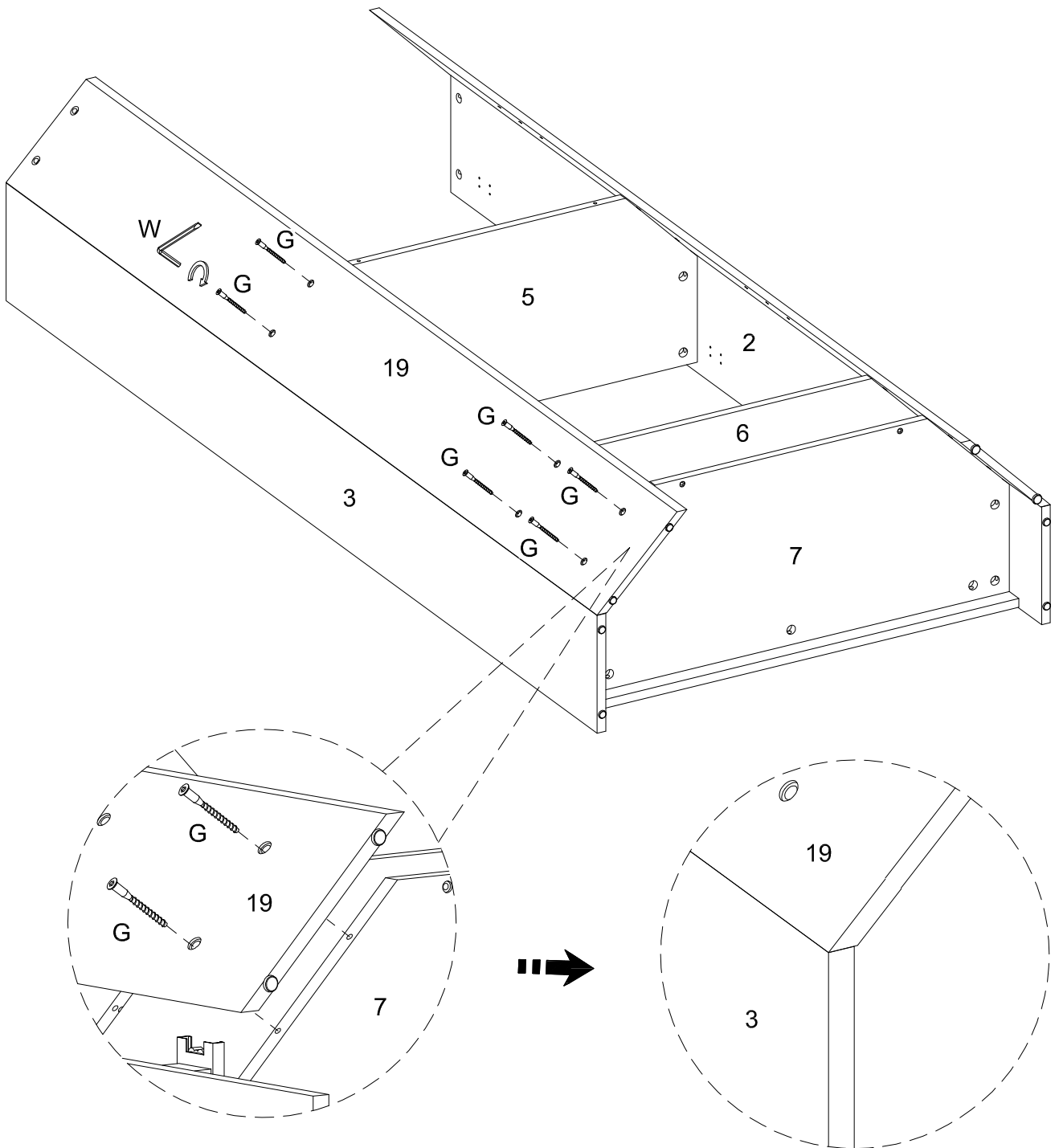
Step 7



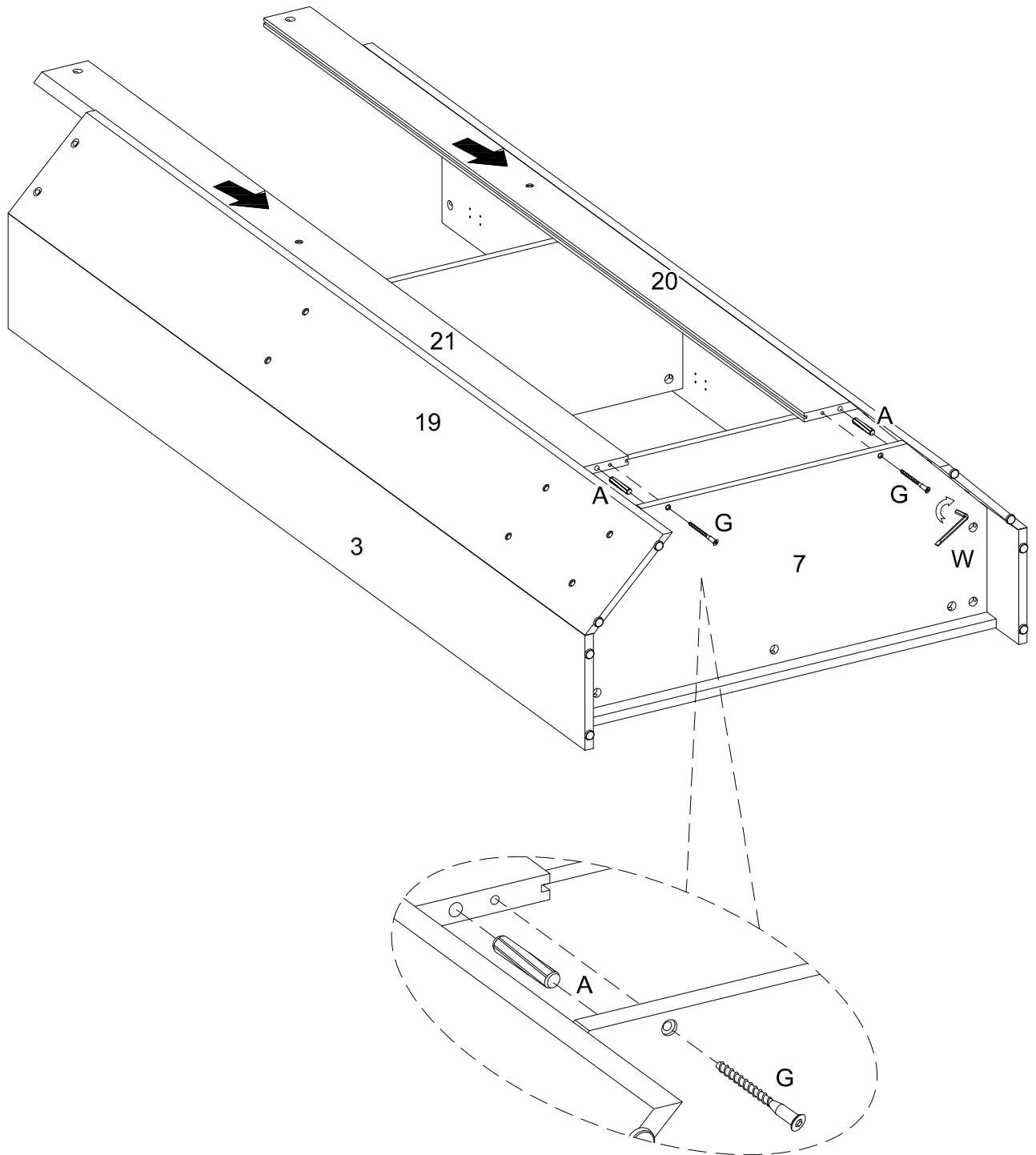
Step 8



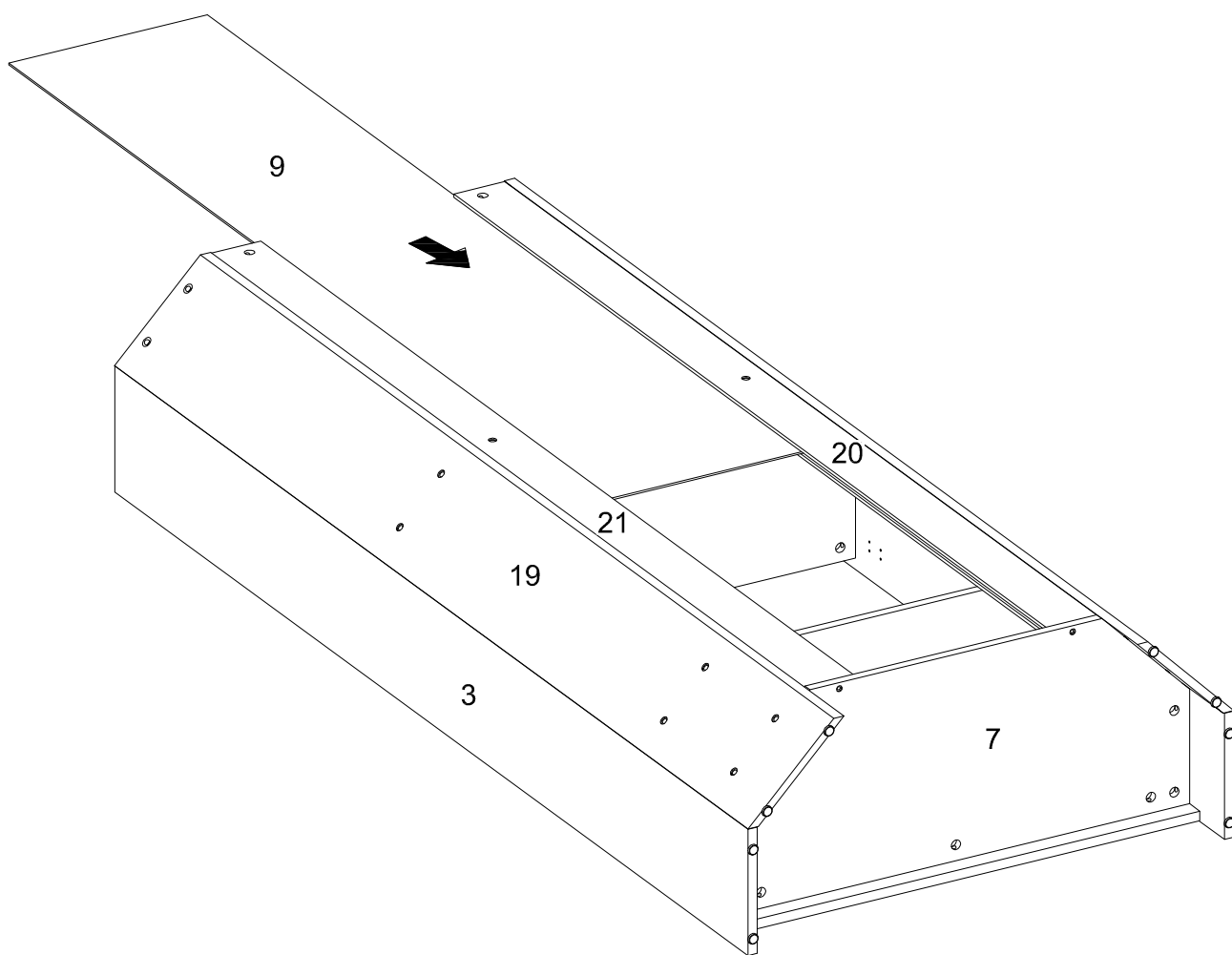
Step 9



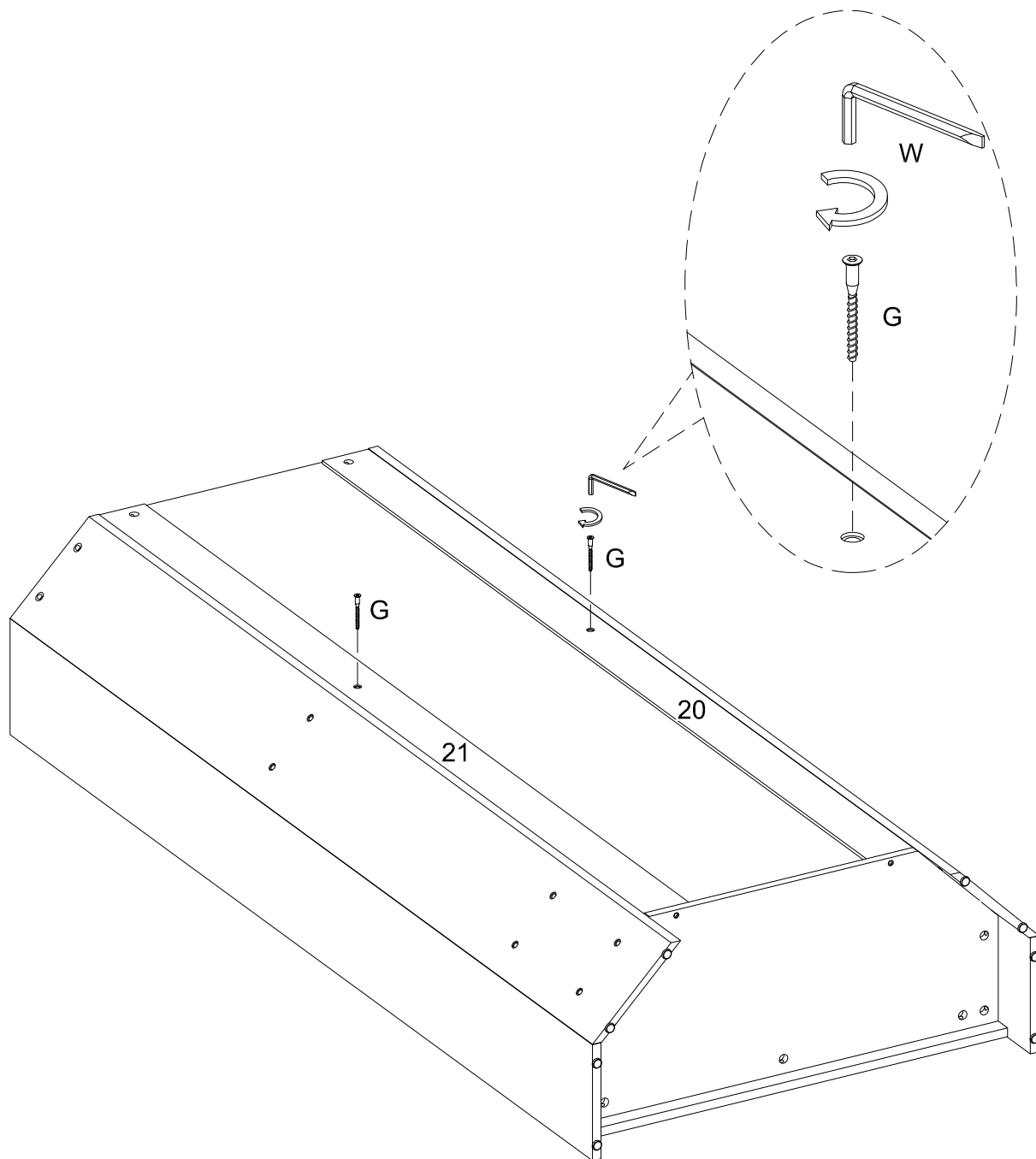
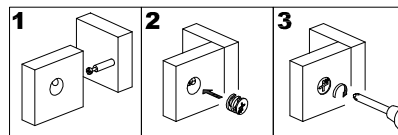
Step 10



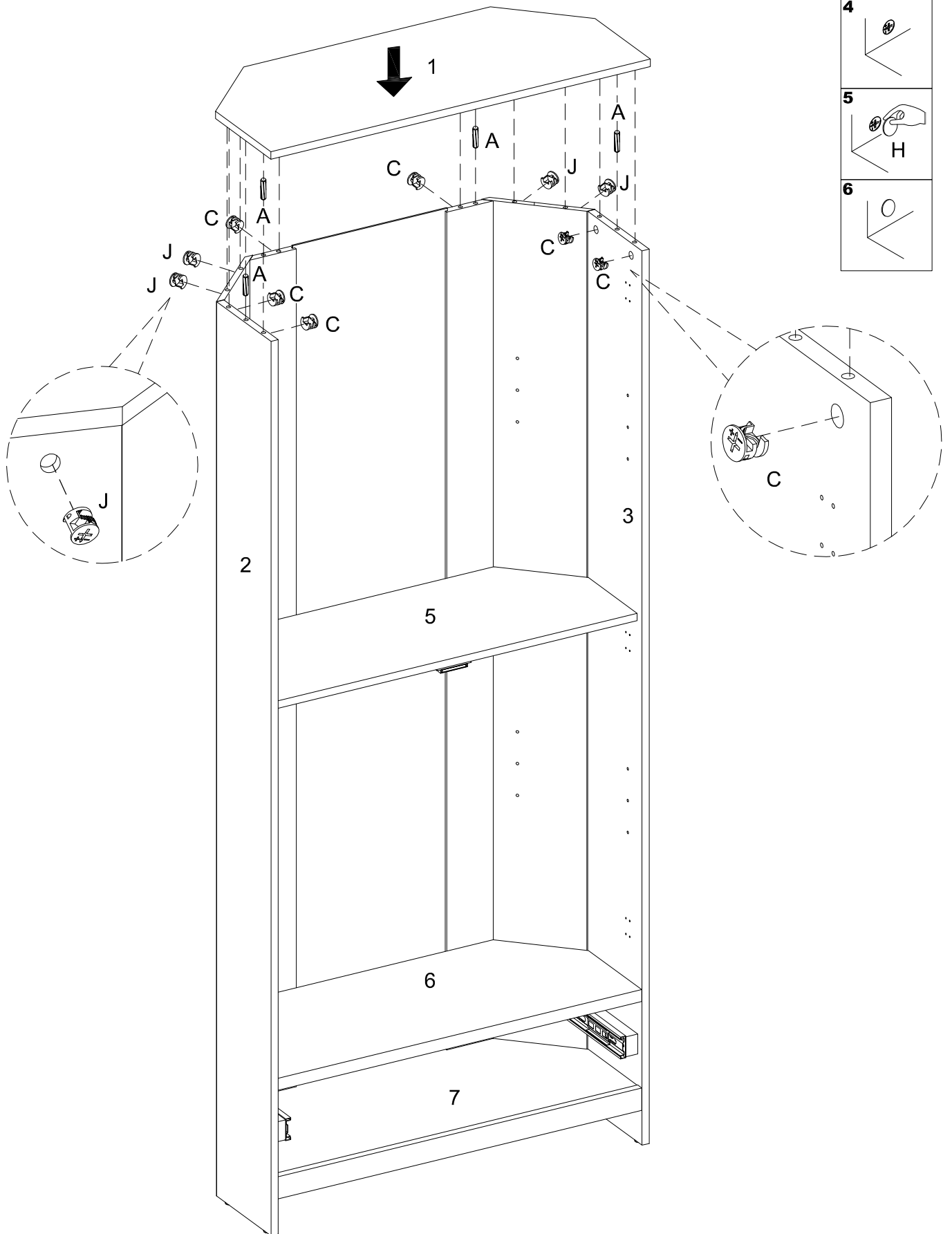
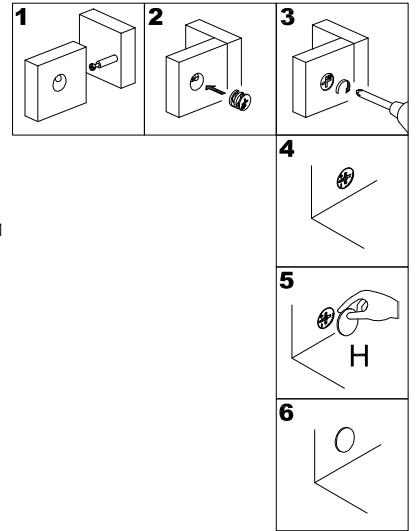
Step 11



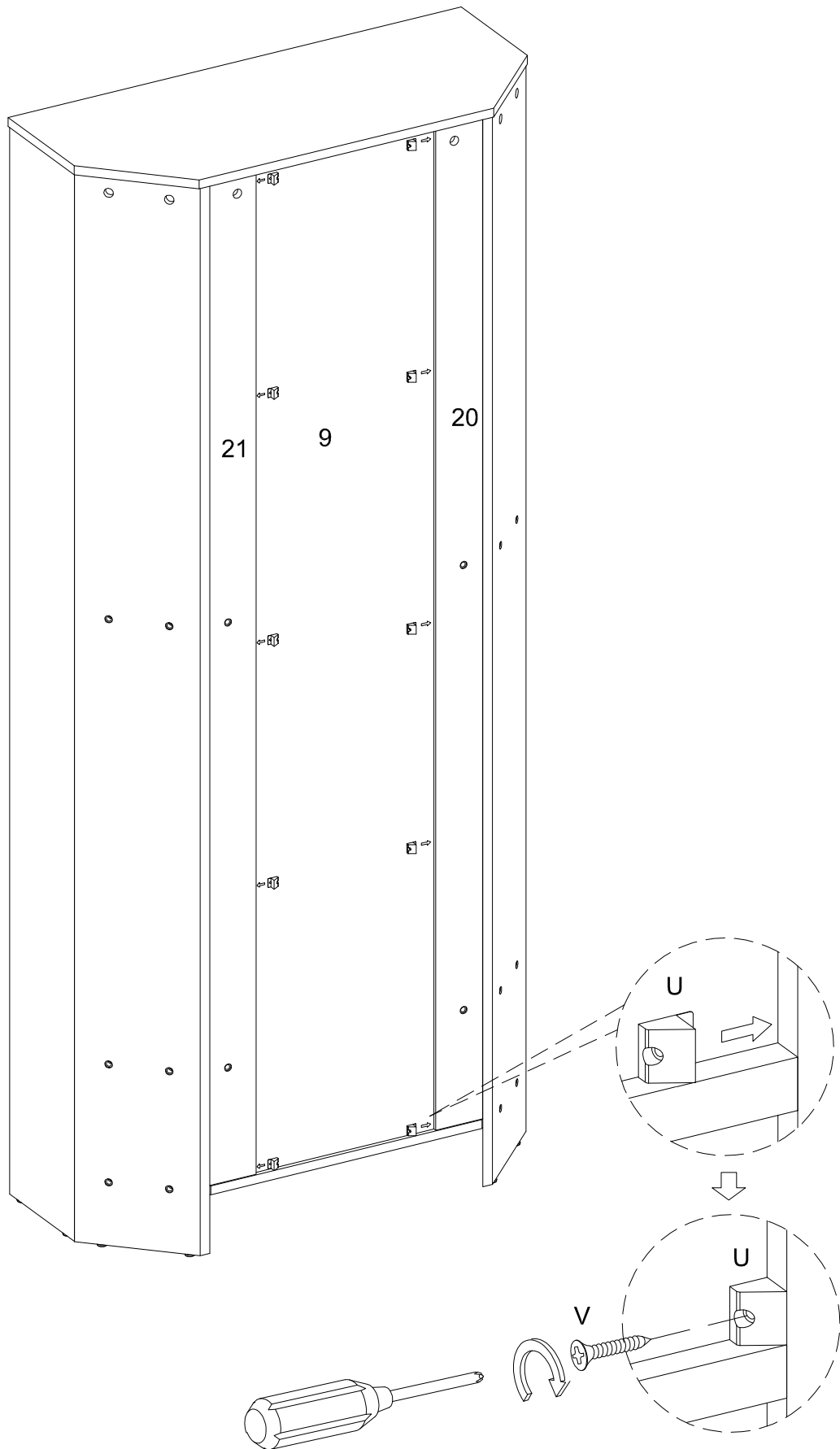
Step 12



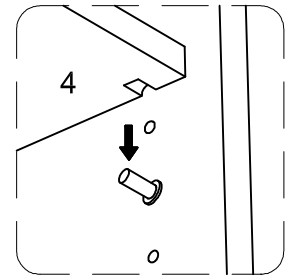
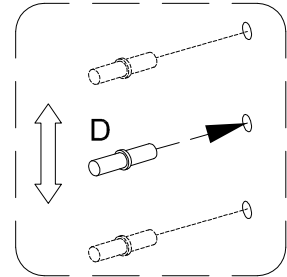
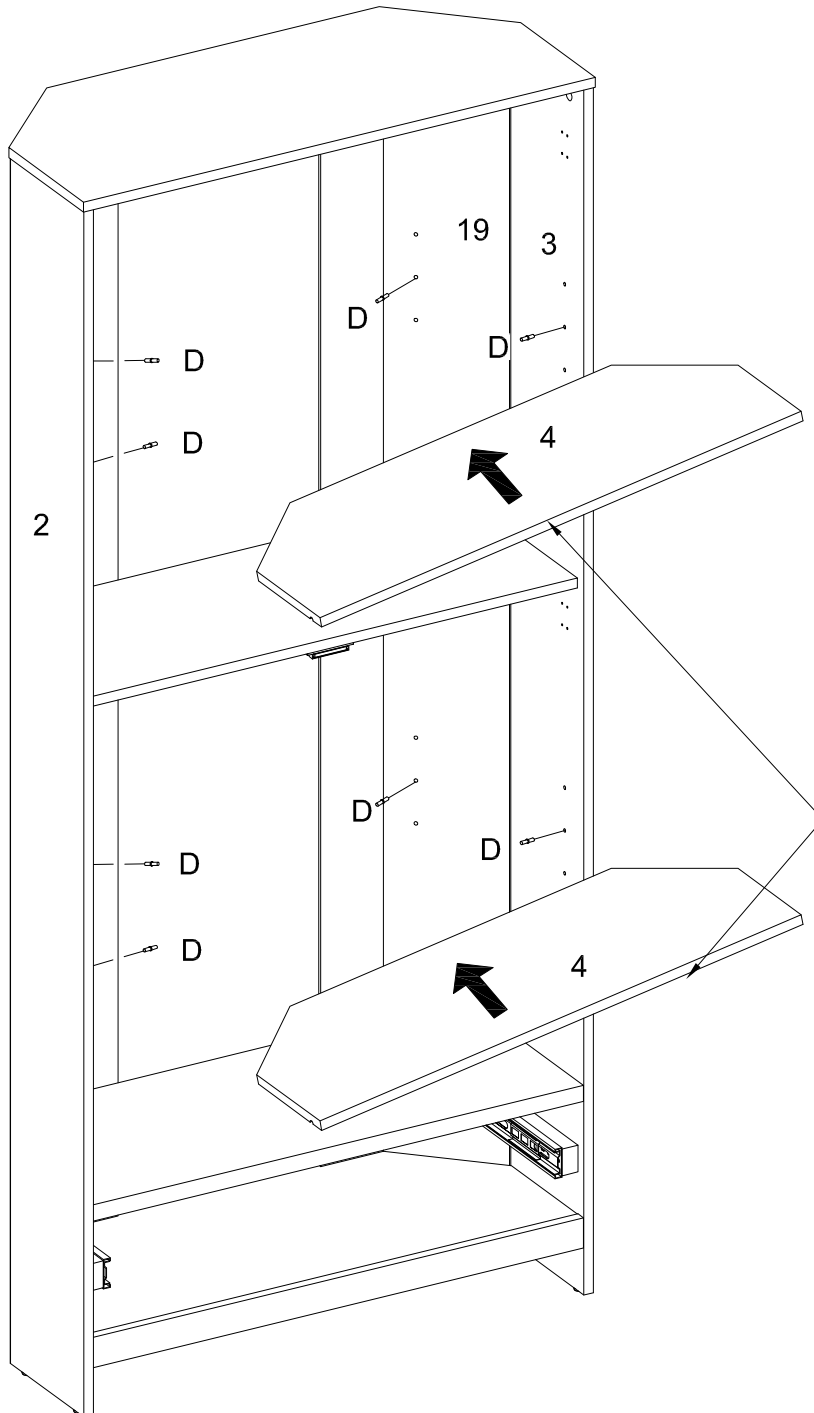
Step 13



Step 14

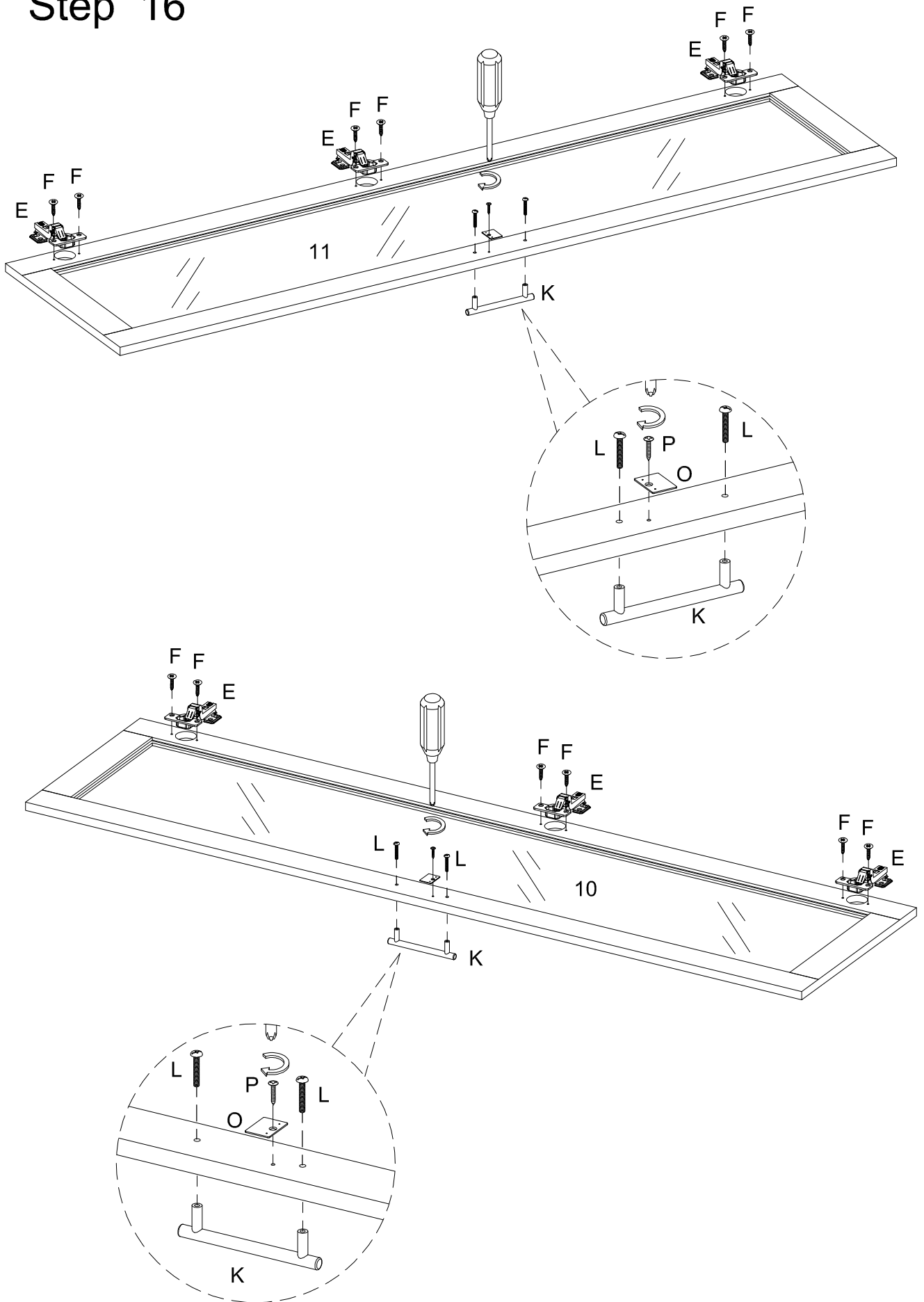


Step 15

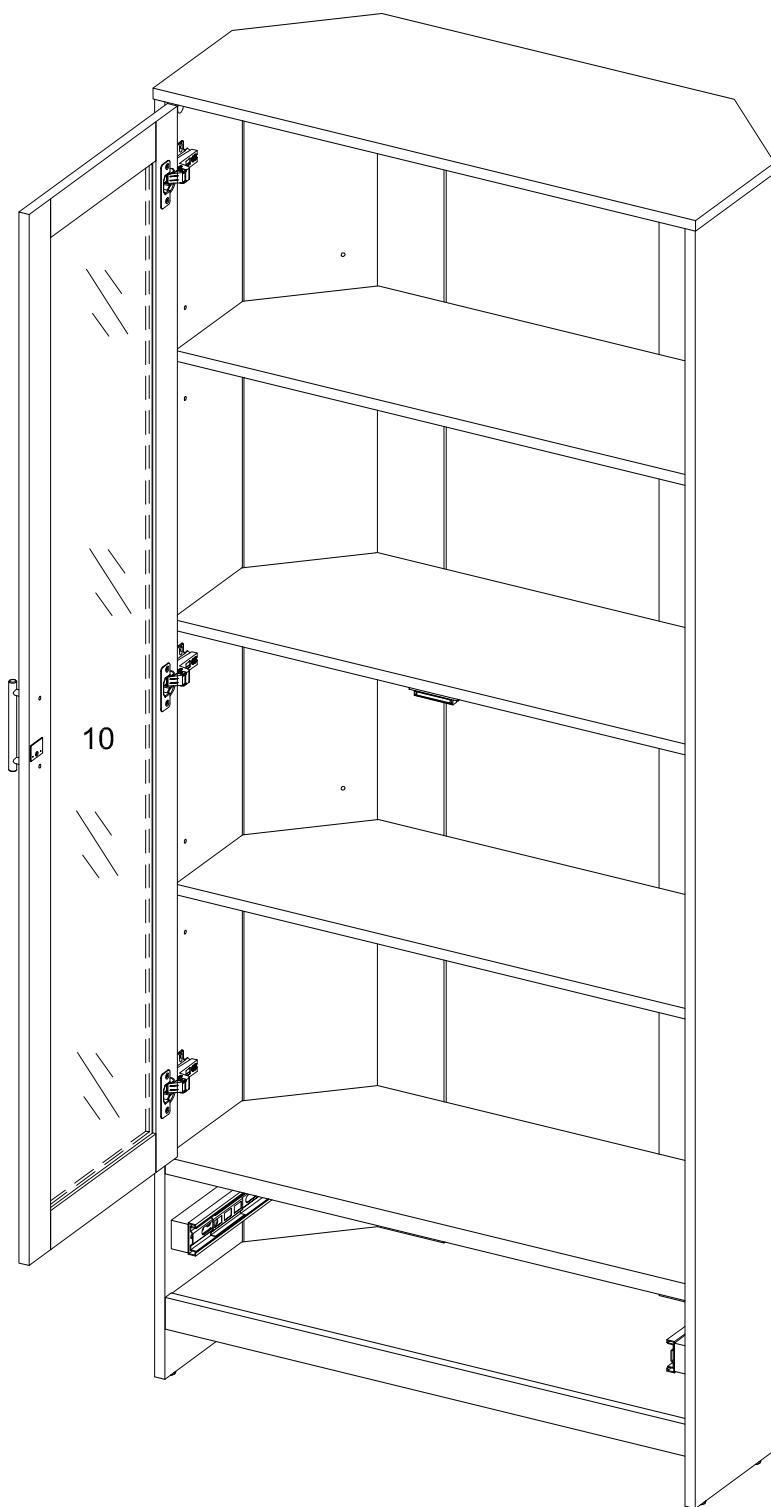
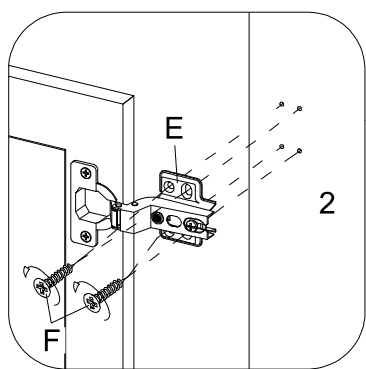


Finished edges

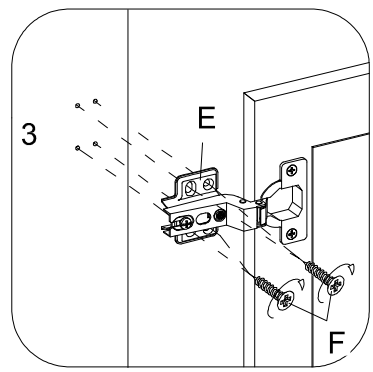
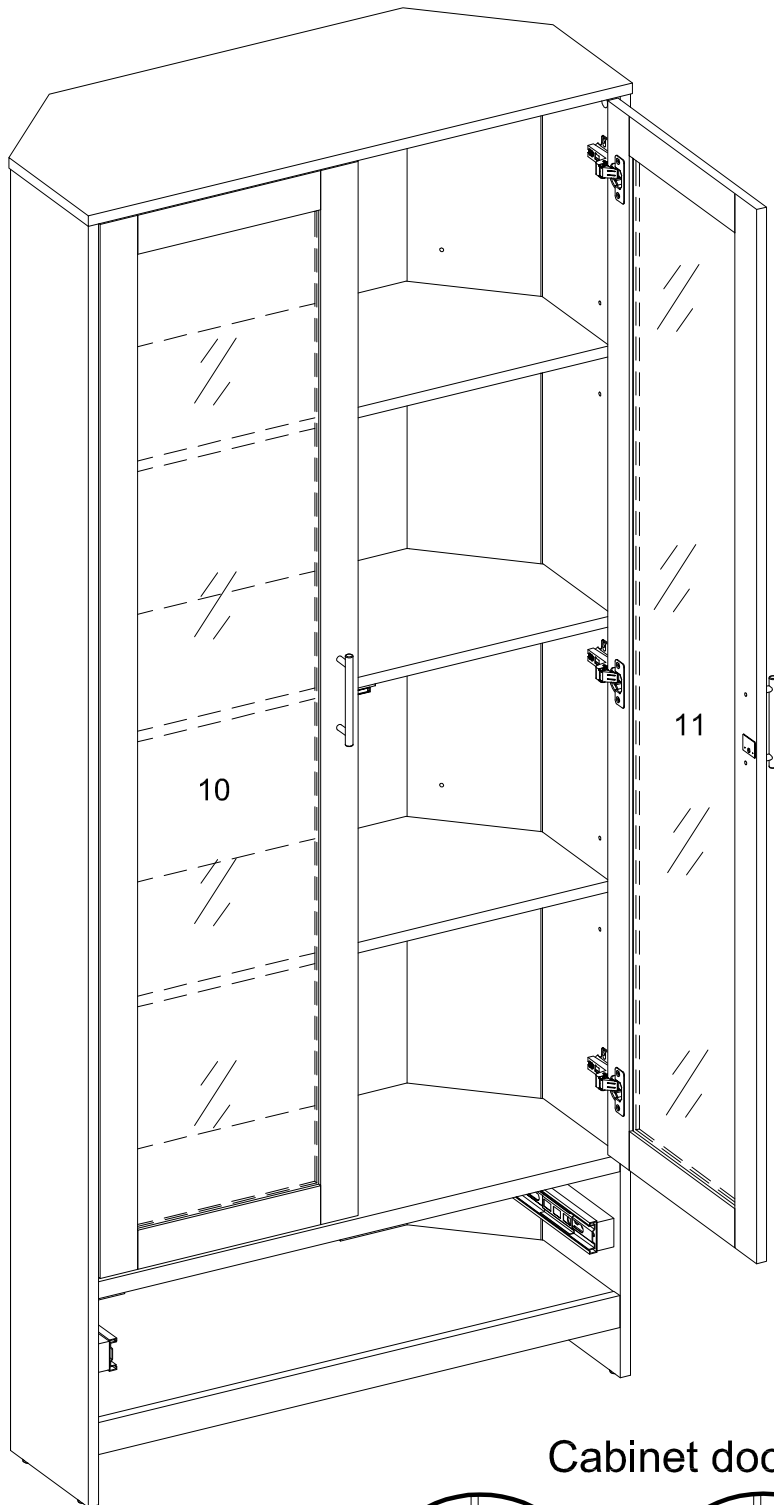
Step 16



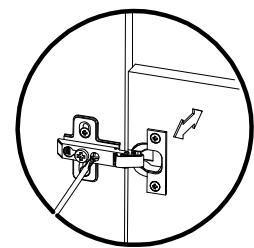
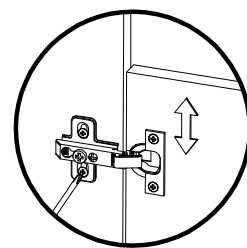
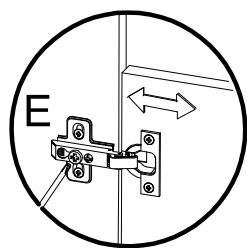
Step 17



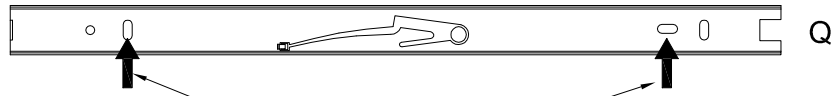
Step 18



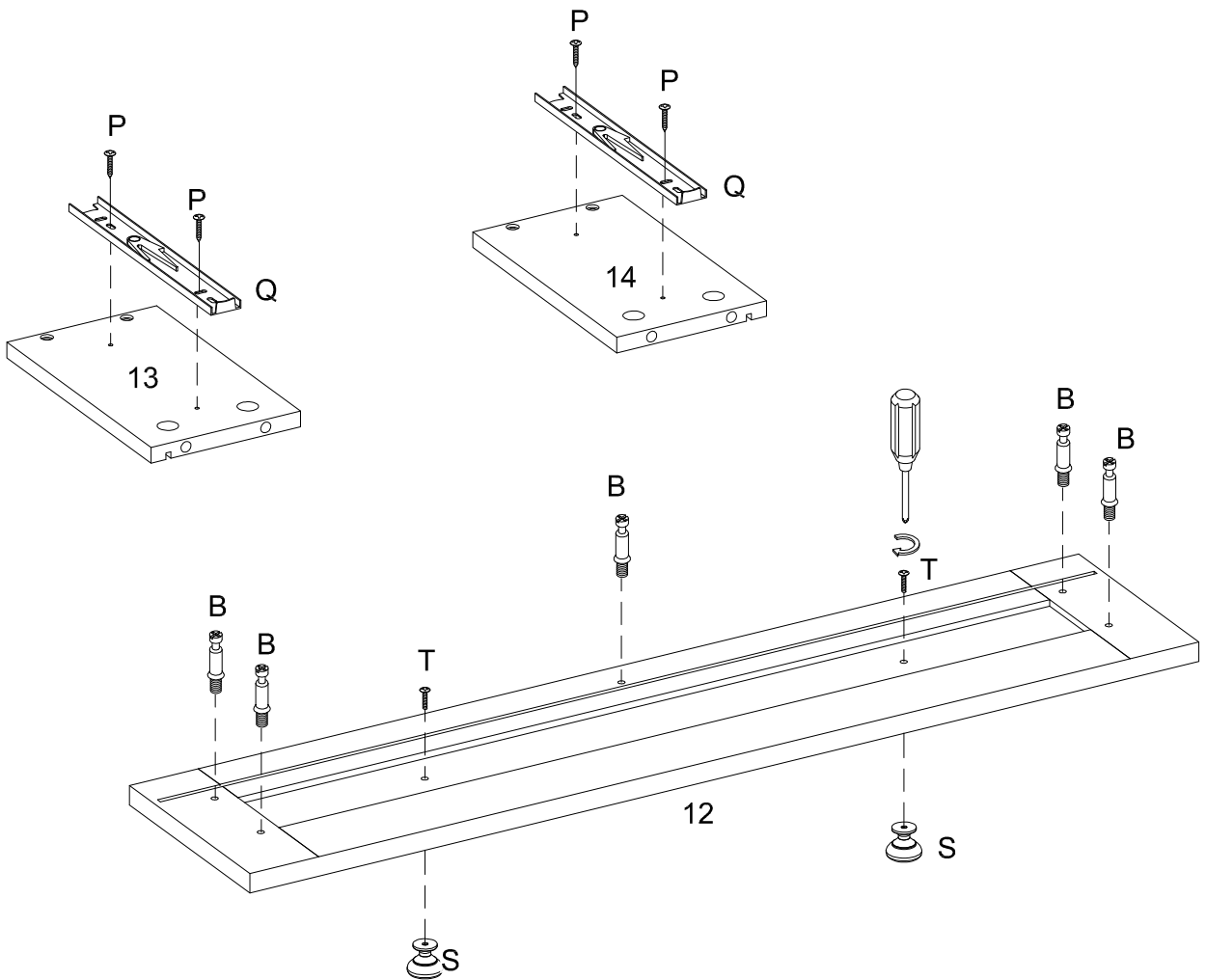
Cabinet door adjustments



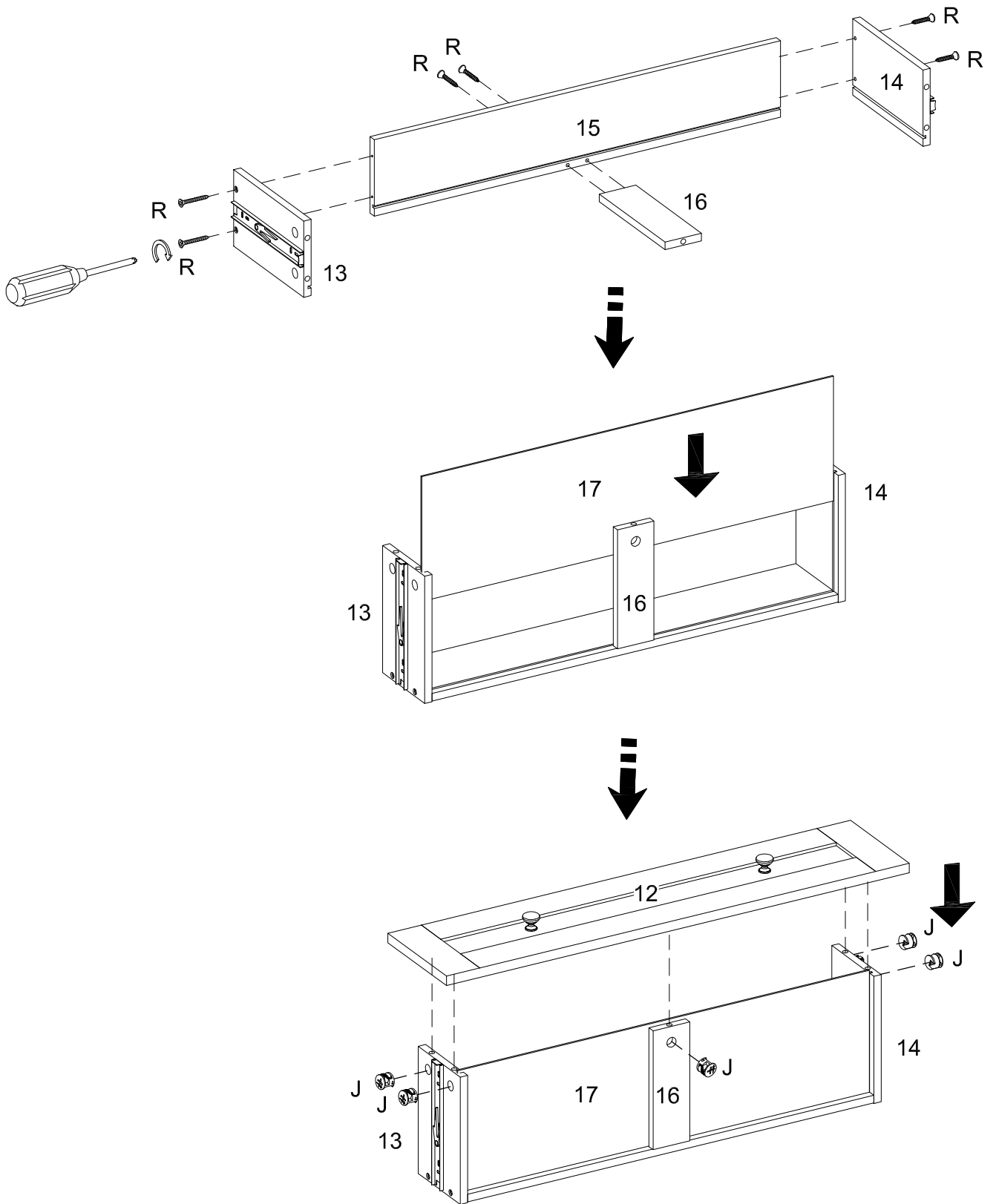
Step 19



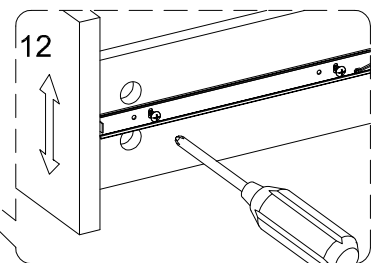
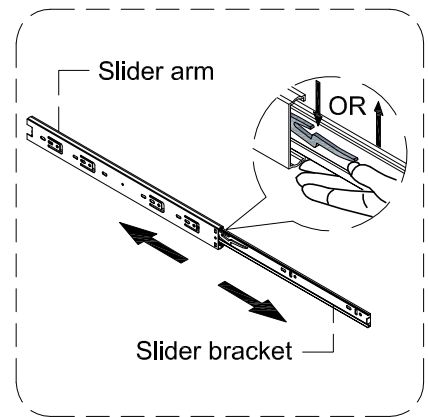
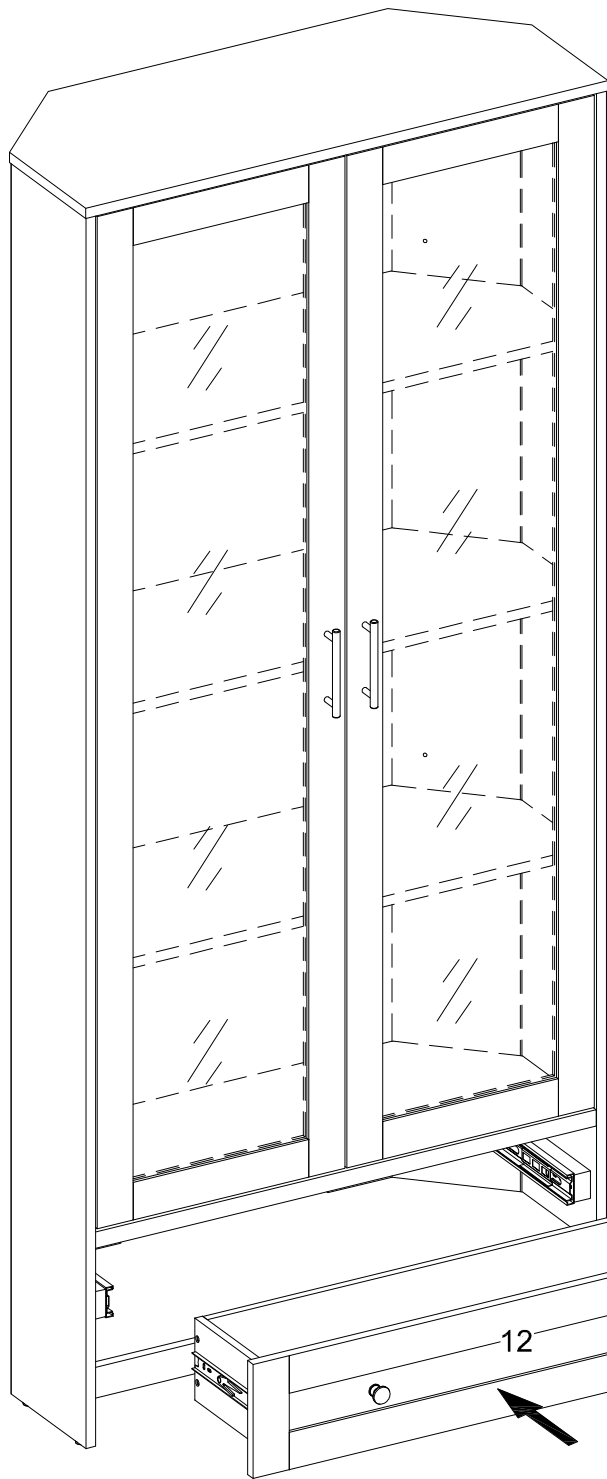
Mounting holes



Step 20



Step 21



Step 22

WARNING

You must install the tip restraint hardware to help prevent any accidents or damage to the unit. We strongly recommend attaching the tip restraint hardware to a wall stud and your unit. For all other wall types, please visit your local hardware store to obtain the proper hardware.

