

# Elevated Food Holder and Storage

## Assembly Instructions



Save these instructions.



A buddy is helpful for assembly.



30 minutes



Phillips Screwdriver needed. Not Included.



Questions?  
[www.TeamCustomerService.com](http://www.TeamCustomerService.com)

## Thank You for your Purchase

- This user manual contains important and useful information to accompany your purchase. This product is intended for indoor, household use only. Failure to follow the instructions outlined may result in personal injury or damage to the product which the manufacturer or vendor cannot be held responsible.

- Please ensure you keep the instruction manual in a safe place so you can refer to the instructions at any time in the future. Adult assembly required. During assembly, children should always be kept away due to possible risk of injury. Please use caution and care when lifting the product to avoid personal injury and/or damage. Please ensure that you have enough space and people to assemble your product safely. Do not stand on the product or use as a stepladder.

- For ease and speed of assembly, we recommend that you identify all parts required for that step before begin. All items are to be assembled near the area which they will be placed in use to avoid moving the product unnecessary once assembled.

- For the protection of your furniture, we recommend that the product be assembled on a protected surface to prevent any damage. During assembly please take care not to over-tighten any fittings, as this may damage the product. Always place the product on a flat and stable surface.

## Safety Precautions



- **READ ALL INSTRUCTIONS BEFORE ASSEMBLING PRODUCT FOR INDOOR, RESIDENTIAL USE ONLY ADULT ASSEMBLY REQUIRED**
- **DO NOT** throw away packaging material before you finish assembling to ensure that parts are not thrown out by mistake
- **DO NOT** use accessories or attachments that are not provided or recommended by manufacturer.
- **NEVER** force any parts or hardware into place when assembling.
- **KEEP CHILDREN** well away from plastic bags and packing materials this item was shipped in.
- **SAVE** these instructions for future reference.
- **DO** anchor product on the wall with at least 1 anchor in contact with stud
- **DO** not place items, such as toys and remote controls on top of dressers, TVs and other large furniture. Also, make sure that all cords are out of the reach of children. Visit <https://www.anchorit.gov/> for more information.



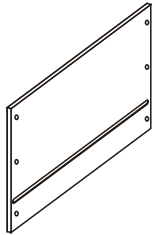
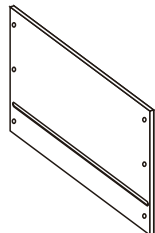
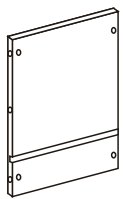
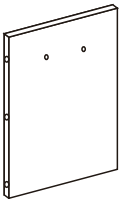
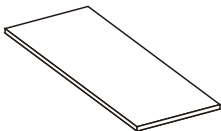
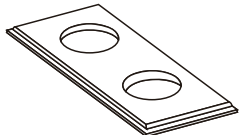
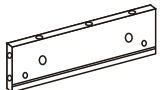
Questions?  
[www.TeamCustomerService.com](http://www.TeamCustomerService.com)

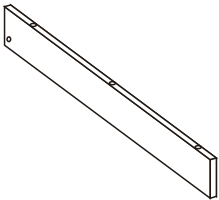
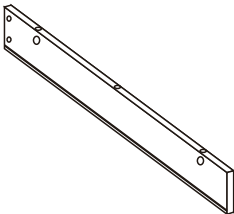
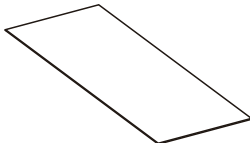



Save these  
instructions.

# Parts


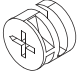





Removing your Holder from the carton is best accomplished with help from a friend. Gently lay the carton on its side, preferably on a carpeted floor. Remove all packaging material and set aside. Make sure all parts and hardware are present before assembly . 2 person assembly is recommended.

PART	NAME	Q'TY	PART IMAGE
1	Left panel	1	
2	Right panel	1	
3	Rear panel	1	
4	Front panel	1	
5	Bottom	1	
6	Top	1	
7	Rear support of top holder	1	

PART	NAME	Q'TY	PART IMAGE
8	Left support of top holder	1	
9	Right support of top holder	1	
10	Bottom of top holder	1	
11	Stainless steel bowls	2	


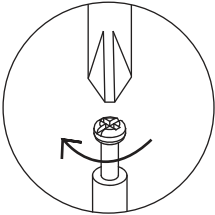
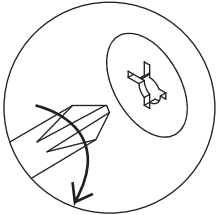
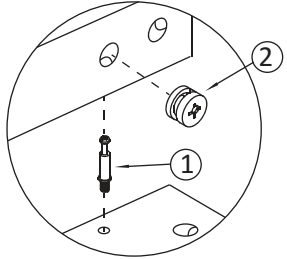


# Hardware

PACKAGE	NAME	Q'TY	IMAGE
A	Cam bolt	14	
B	Cam lock	14	
C	Wood dowel	9	 M6x30mm
D	Screw	2	 M4x40mm
E	Knob	1	
F	Screw	2	 M4x18mm
G	Plastic barrel nut	2	

We have included extra piece of screw

# Safety Precautions

	Step 1	Step 2	Step 3
 <p>Risk of damage or injury. Cam Lock and Bolt system is a multisteps process. Please follow these directions closely. Hidden Cams must be completely tightened. Hidden Cams that are not completely tightened may loosen and parts may separate.</p>			
	<p>Gently screw Cam Bolt into the threaded anchor at the specified location. Tighten with a Phillips screwdriver until threads are not visible</p>	<p>Gently insert Cam Lock in the pre-drill holes at the specified location with arrow pointing toward the receiving hole or toward the closest edge. Use a Phillips screwdriver to turn as needed. Make sure Cam Lock is flushed with the board</p>	<p>Insert Cam Bolt into the predrilled hole on the side of the Cam Lock board. Turn Cam Lock to engage the</p>

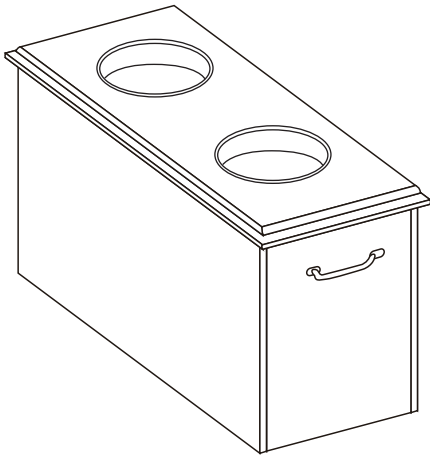


Save these instructions.



Questions?  
www.TeamCustomerService.com

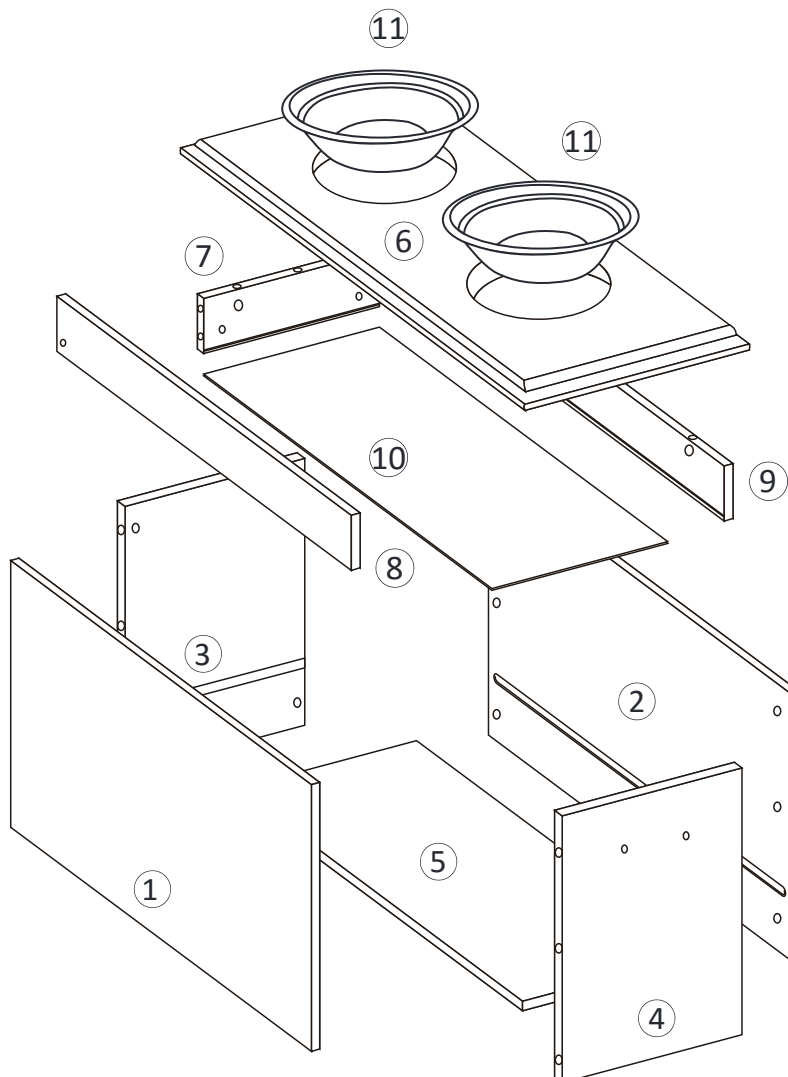
# Specifications



Maximum load capacity as follows:

PART	NAME	Maximum Weight Capacity
5	Bottom	30 lbs
6	Top	50 lbs
11	Stainless steel bowls	2.2 lbs

# Parts



Save these instructions.



Questions?  
[www.TeamCustomerService.com](http://www.TeamCustomerService.com)

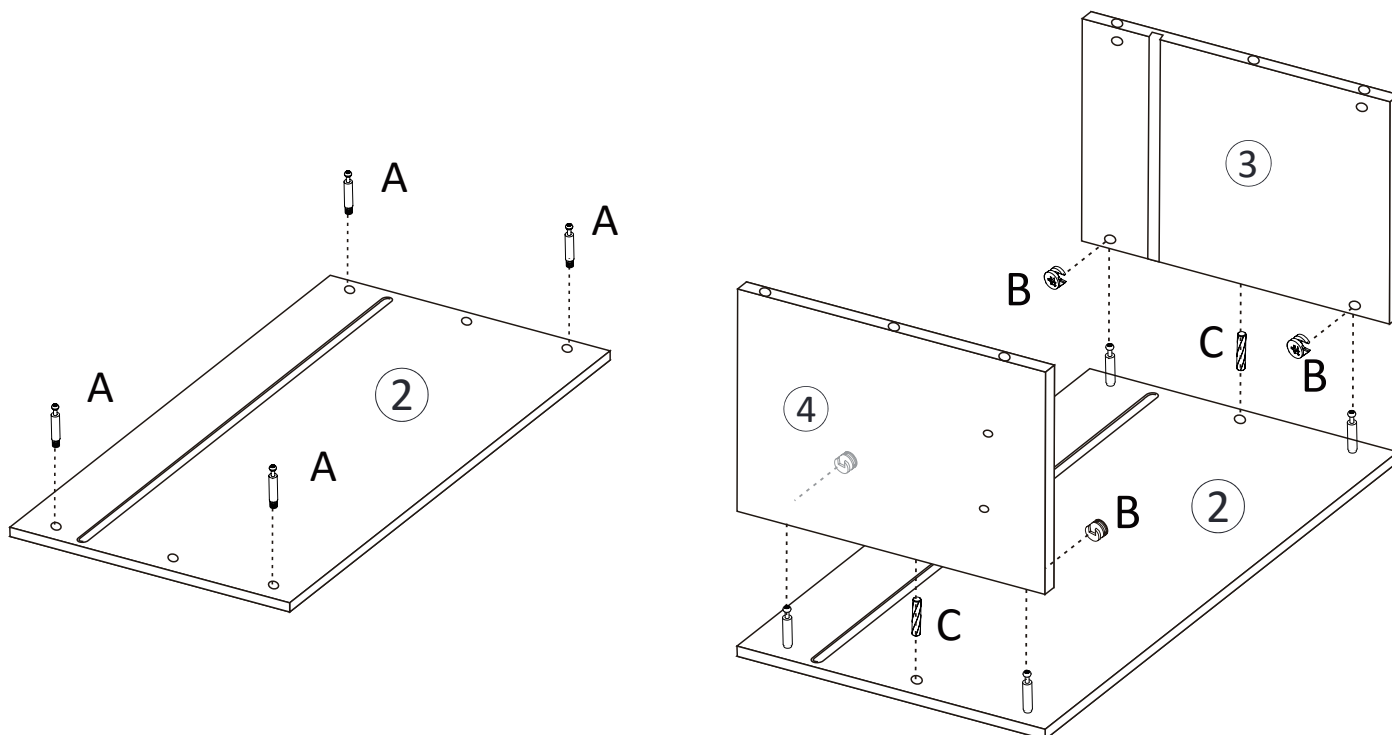
# Assembly Instructions


## ASSEMBLY TIPS:




1. Remove hardware from box and make sure all your parts are there, prior to assembly.
2. To avoid damage to parts and components, layout and assembly should be done on a flat surface.
3. Please check and distinguish each part before assembly.
4. This product is intended for home use only and not intended for commercial establishments.
5. **DO NOT** attempt to repair or modify parts that are broken or defective. Please contact customer service immediately by visiting: [www.teamcustomerservice.com](http://www.teamcustomerservice.com)

## Step 1 Build Front and Rear Wall

1. Tighten 4x Cam Bolts (A) to Right panel (2) at the specified locations using a Phillips screwdriver.
2. Insert 2x Wood dowels (C) to Right panel (2) at specified locations.
3. Carefully align wooden dowels (C) to pre-drilled holes, Cam Bolts (A) to Cam Lock (B)
4. Insert 4x Cam lock (B) to Rear panel (3) and Front panel (4) at specified locations
5. Connect Rear panel (3) and Front panel (4) to Right panel (2) by turning all 4x Cam Lock (B) to engage. Following Cam Lock safety precautions.



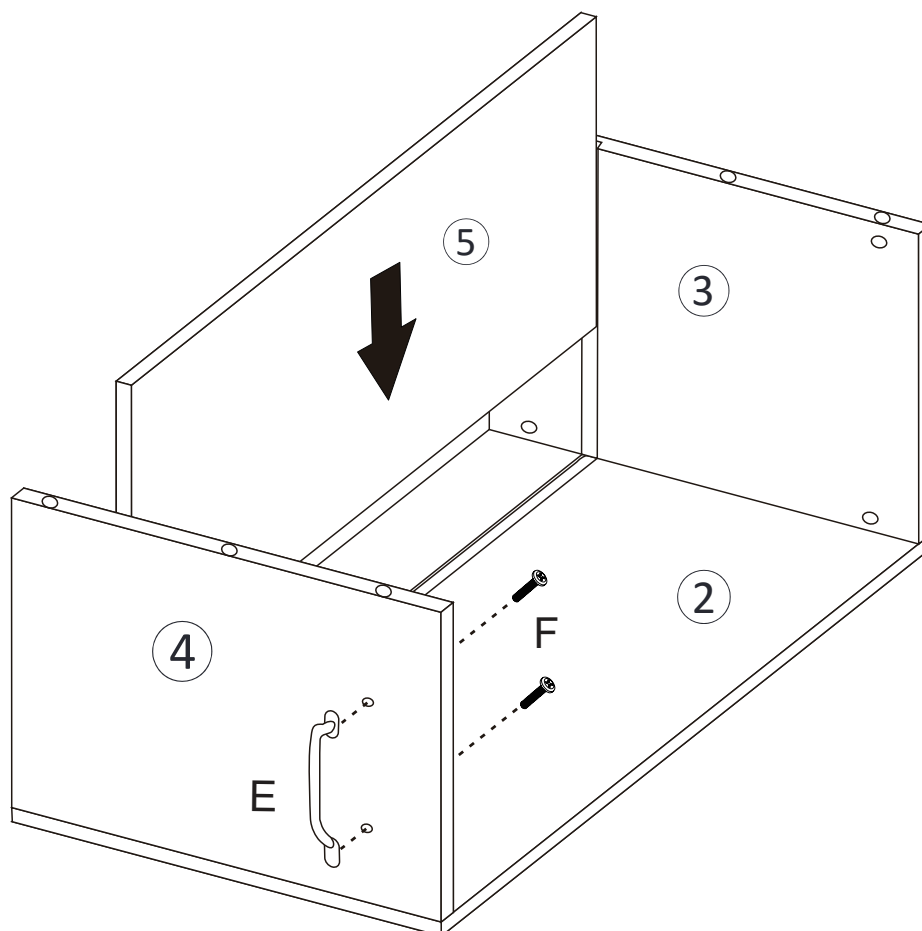
 Phillips Screwdriver needed. Not Included.


A	x4	B	x4	C	x2
					

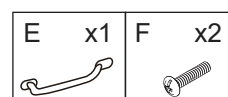
## Step 2

## Assemble Bottom and Knob

1. Insert Bottom (5) into the grooves at Right panel (2), Rear panel (3) and Front panel (4).
2. Fasten knob (E) with 2x Screws (F) to the Front panel (4) and tighten with a Phillips screw driver.



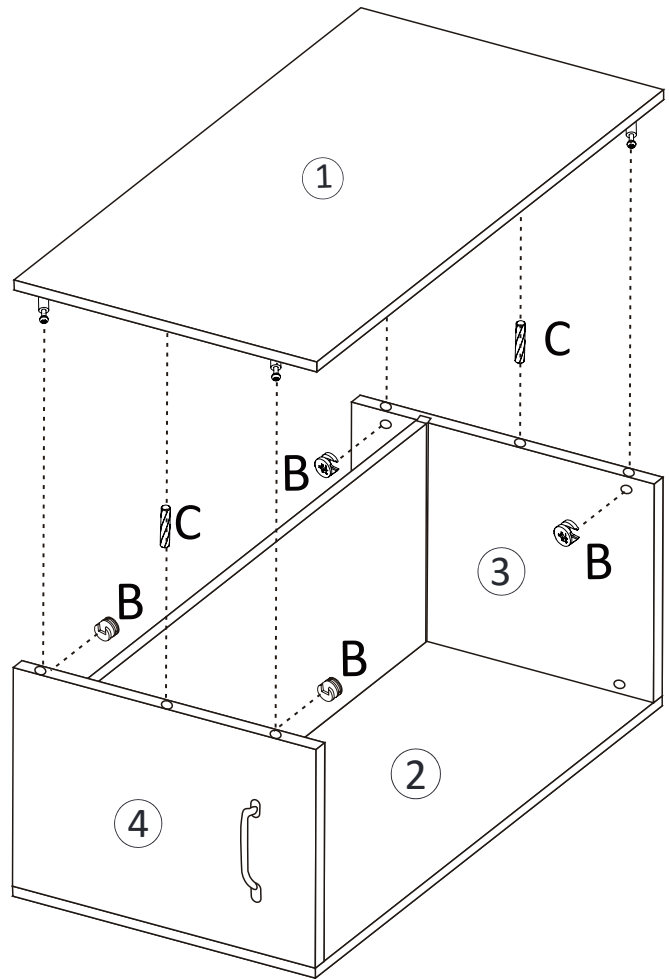
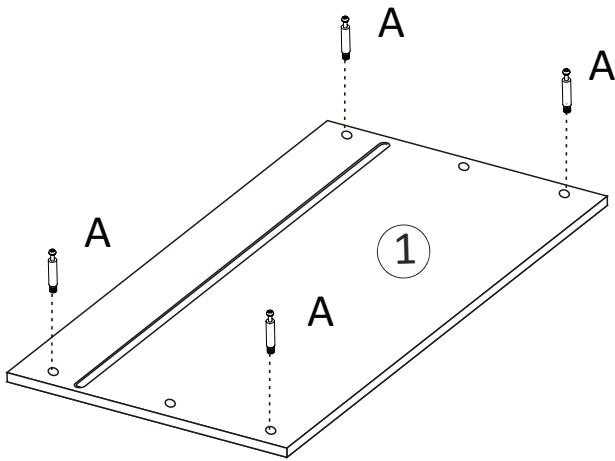
 Phillips Screwdriver  
needed. Not Included.






## Step 3

## Attach Left Panel to assembled unit

1. Tighten 4x Cam Bolts (A) to Left panel ① at the specified locations using a Phillips screwdriver.
2. Insert 2x Wood dowels (C) to Rear panel ③ and Front panel ④ at specified locations.
3. Carefully align wooden dowels (C) to pre-drilled holes, Cam Bolts (A) to Cam Lock (B)
4. Insert 4x Cam locks (B) to Rear panel ③ and Front panel ④ at specified locations
5. Attach Left panel ① to Rear panel ③ and Front panel ④ by turning all 4x Cam Lock (B) to engage. Following Cam Lock safety precautions.



Phillips Screwdriver  
needed. Not Included.

A	x4	B	x4	C	x2
					



Save these  
instructions.

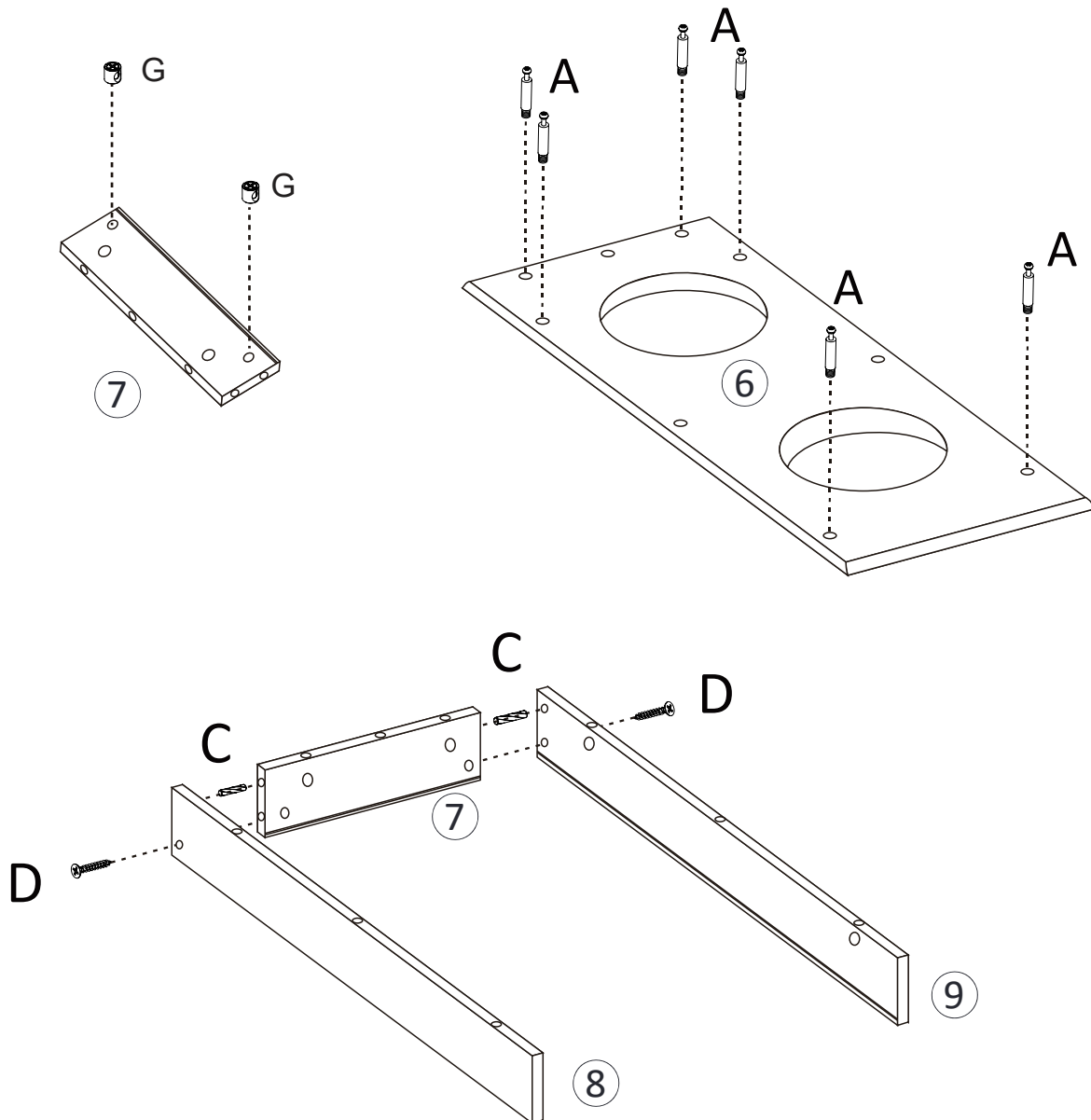


Questions?  
[www.TeamCustomerService.com](http://www.TeamCustomerService.com)





## Step 4

## Build Supports of Top Holder

1. Insert 2x plastic barrel nuts (G) into Rear support of top holder (7) at specified location, the hole of plastic barrel nuts (G) align with the screw hole of Rear support of top holder (7).
2. Insert 2x wood dowels (C) to Rear support of top holder (7) at specified locations.
3. Fasten Left support of top holder (8) and Right support of top holder (9) to Rear support of top holder (7) with 2x screws (D) and tighten with a Phillips screw driver.
4. Tighten 6x Cam Bolts (A) to the Top (6) at the specified locations using a Phillips screwdriver.



Phillips Screwdriver  
needed. Not Included.

A	x6	C	x2	D	x2	G	x2
							



Save these  
instructions.

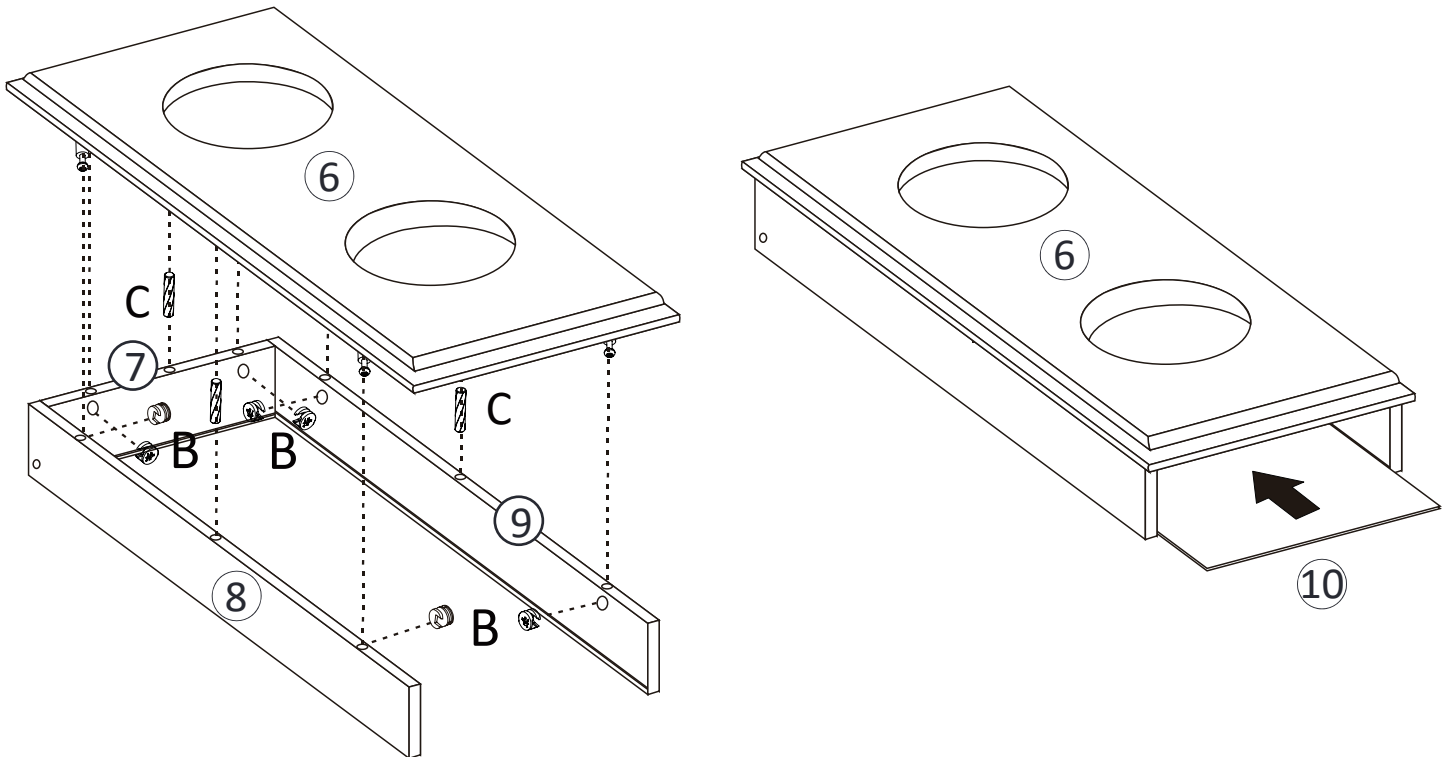


Questions?  
[www.TeamCustomerService.com](http://www.TeamCustomerService.com)

## Step 5

## Build Top and Bottom of Top Holder

1. Insert 3x Wood dowels (C) to Rear support of top holder (7), Left support of top holder (8) and Right support of top holder (9) at specified locations.
2. Carefully align wooden dowels (C) to pre-drilled holes, Cam Bolts (A) to Cam Lock (B)
3. Insert 6x Cam locks (B) to Rear support of top holder (7), Left support of top holder (8) and Right support of top holder (9) at specified locations
4. Attach the Top (6) to assembled top holder by turning all 6x Cam Lock (B) to engage. Following Cam Lock safety precautions.
5. Insert Bottom of top holder (10) into the grooves at assembled top holder.



Phillips Screwdriver  
needed. Not Included.

B	x6	C	x3



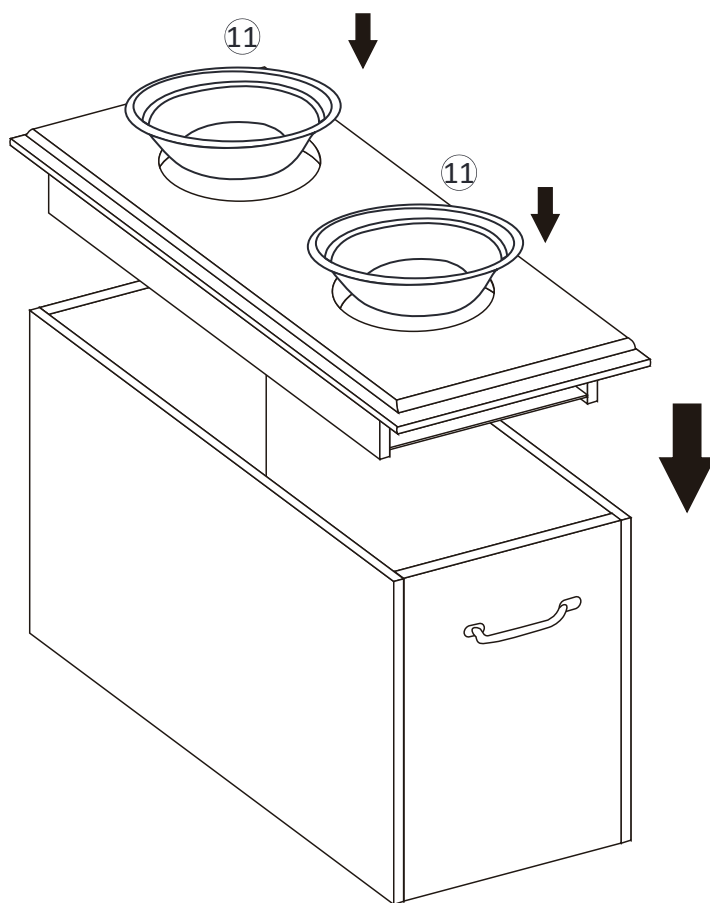
Save these  
instructions.



Questions?  
[www.TeamCustomerService.com](http://www.TeamCustomerService.com)

## Step 6 Place Stainless Steel Bowls and Attached Top Holder to Cabinet

1. Place 2x Stainless steel bowls to assembled top holder
2. Attached assembled top holder to cabinet.



Save these instructions.



Questions?  
[www.TeamCustomerService.com](http://www.TeamCustomerService.com)

## Care & Maintenance

- Regularly check all fastenings to ensure that they are properly tightened.
- Clean with a damp soft cloth, then use a soft lint free cloth to dry.
- Hot or wet items should not be placed directly on the furniture surface.
- Do not clean furniture with harsh cleaners or polish.
- Do not place furniture in direct sunlight or near heating/cooling vents.
- To protect the surface, use a pad when writing on top of the furniture.
- For indoor residential use, do not place furniture outside.
- Do not stand on the product or use as a step ladder.
- Children should not climb on furniture.

## Customer Service



Contact us through our website:  
[www.TeamCustomerService.com](http://www.TeamCustomerService.com)

If you have a question about assembly or use please contact us and we will be glad to assist you.



Save these  
instructions.



Questions?  
[www.TeamCustomerService.com](http://www.TeamCustomerService.com)