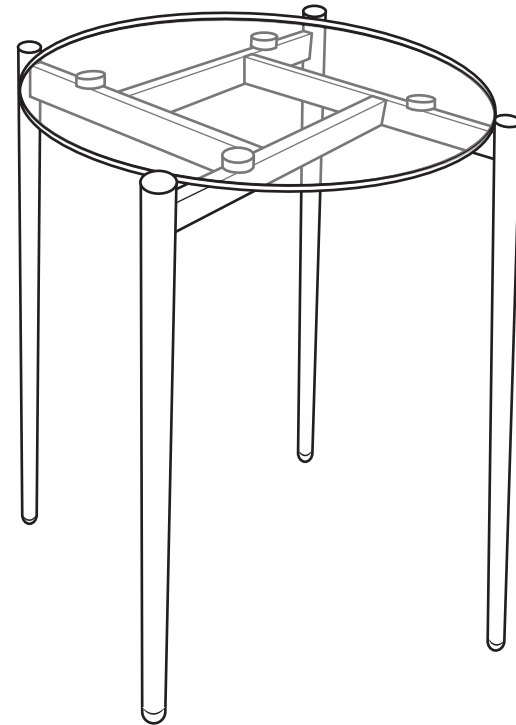


**Instruction manual**  
**40cm Round Side Table**



# CONTENTS

---

Safety and care advice	<b>1</b>
Components	<b>2</b>
Assembly instructions	<b>4</b>
Copyright	<b>8</b>



## ⚠ SAFETY AND CARE ADVICE ⚠

---

PLEASE READ THESE INSTRUCTIONS CAREFULLY AND KEEP FOR FUTURE REFERENCE

- **Warning:** Please lift with care.
- Check you have all the components and tools listed on pages 2 and 3.
- Remove all fittings from the plastic bags and separate them into their groups.
- Keep children and animals away from the work area, small parts could choke if swallowed.
- Make sure you have enough space to lay out the parts before starting.
- Do not stand or put weight on the product, this could cause damage.
- Assemble the item as close to its final position (in the same room) as possible.

- Assemble on a soft level surface to avoid damaging the unit or your floor (use opened out unit carton).



- We do not recommend the use of power drill/drivers **for inserting screws**, as this could damage the unit. Only use hand screwdrivers.
- Dispose of all packaging carefully and responsibly.

## CARE AND MAINTENANCE

---

- Only clean using a damp cloth and mild detergent, do not use bleach or abrasive cleaners.
- From time to time check that there are no loose screws on this unit.

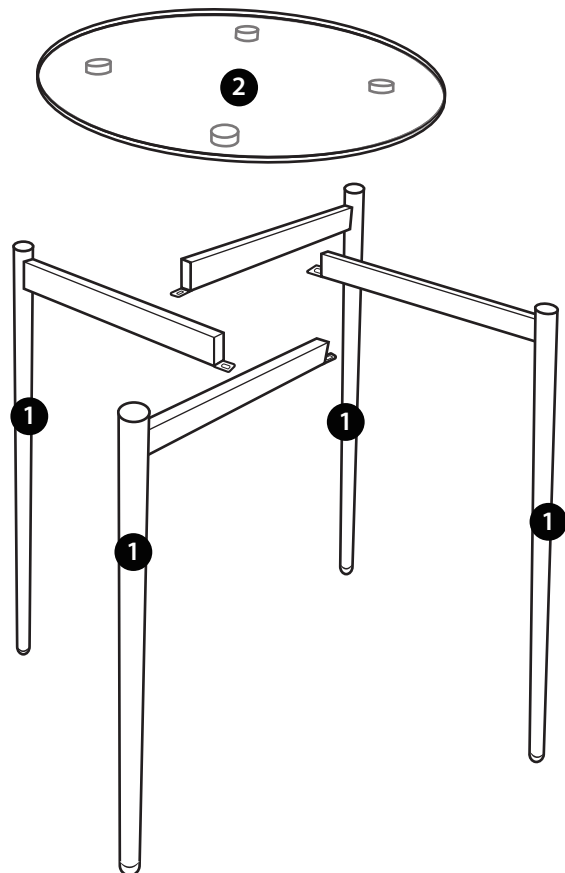
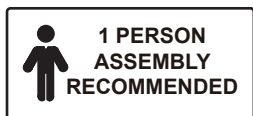
- This product should not be discarded with household waste. Take to your local authority waste disposal center.

**Note** *If required the next page can be cut out and used as reference throughout the assembly. Keep this page with these instructions for future reference.*

## COMPONENTS

---

Please check you have all the panels listed below:



- |   |           |    |
|---|-----------|----|
| 1 | Leg Frame | x4 |
| 2 | Glass top | x1 |

## IF YOU FIND A DEFECTIVE PART

---

We fully stock all parts and components. Any defective part can be quickly replaced. Take note of the defective part number in manual and we will arrange a quick replacement.

You can email our team

## COPYRIGHT

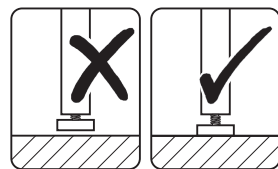
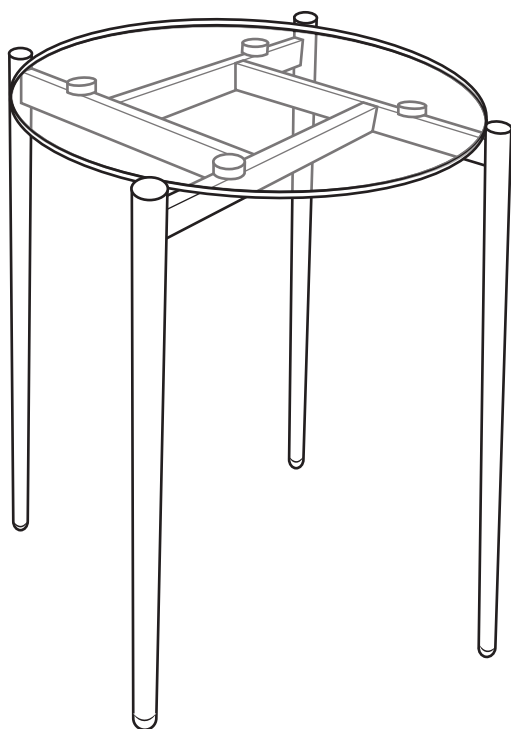
---

All material in this instruction manual is copyrighted

Any unauthorised use may violate worldwide copyright, trademark and other laws.



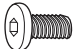
# ASSEMBLY INSTRUCTIONS

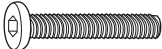


Congratulations! Now you have finished assembling the product.

# COMPONENTS

Please check you have all the fittings listed below:

**A**   
Bolt(Ø6x12mm)x4

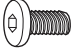

**B**   
Bolt(Ø6x35mm)x4


**C**   
Allen key

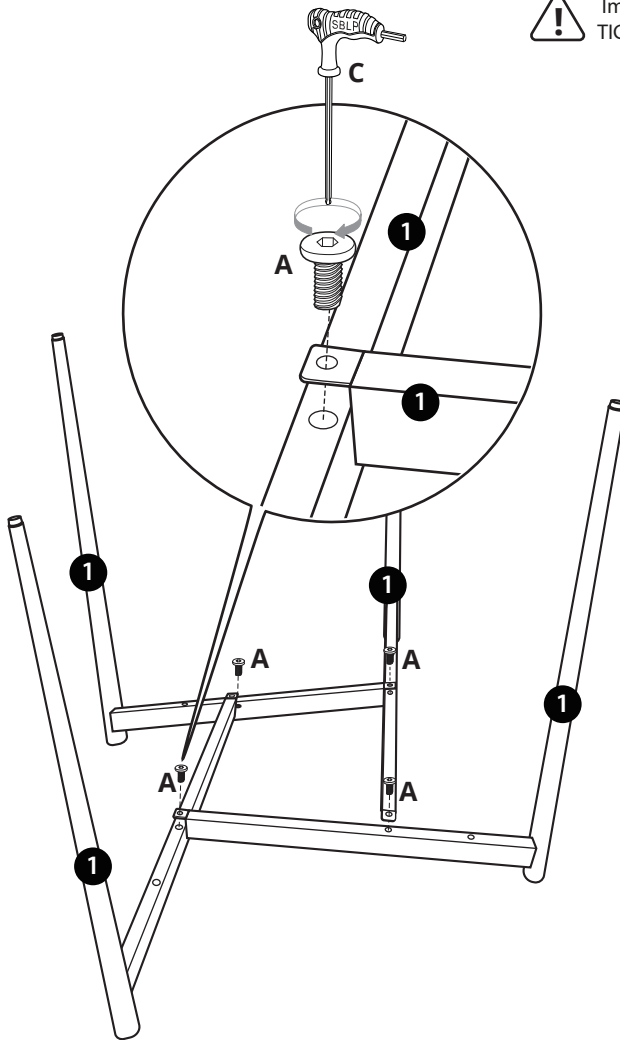


# ASSEMBLY INSTRUCTIONS

## Step 1

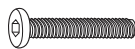

A		4	
C		1	


 Important : PLEASE DO NOT FULLY TIGHTEN THE BOLTS AT THIS STEP



# ASSEMBLY INSTRUCTIONS

## Step 2

B		4	
C		1	

 Important : PLEASE FULLY TIGHTEN ALL BOLTS AT THIS STEP

