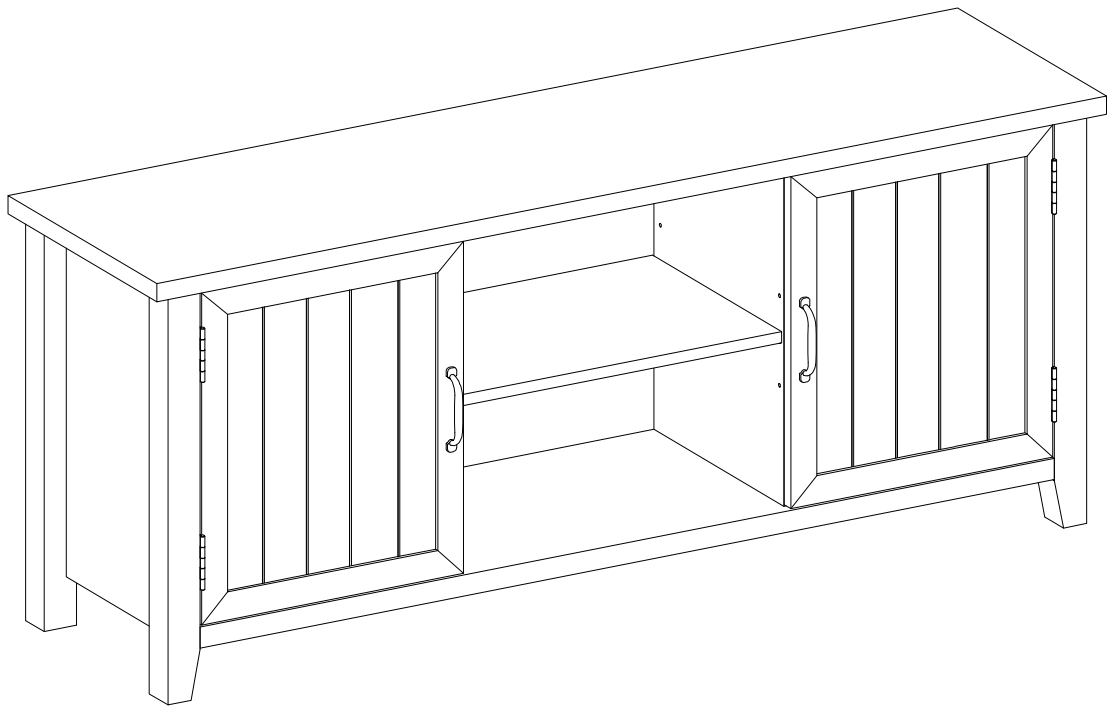
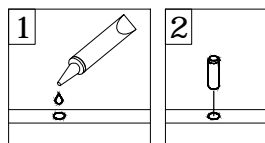


Assembly Instructions

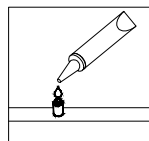


General Assembly Guidelines

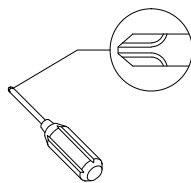
- I. Ensure that all parts and hardware are available before beginning assembly.
- II. Follow each step carefully to ensure the proper assembly of this product.
- III. Two people are recommended for ease in the assembly of this product.
- IV. The three main types of hardware used to assemble this product are: wood dowels, screws and bolts.
- V. The provided glue is to secure wood dowels in place. When first inserting dowels, locate the appropriate hole for the dowel, place a small amount of glue in the hole and insert the dowel. Wipe away excess glue immediately.



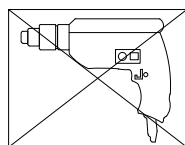
In future assembly steps when dowels are necessary to attach assembly parts together, place a small amount of glue on the end of the dowel before attaching parts together. Wipe away excess glue immediately.



- VI. A Phillips head screwdriver is required for the assembly of this product .

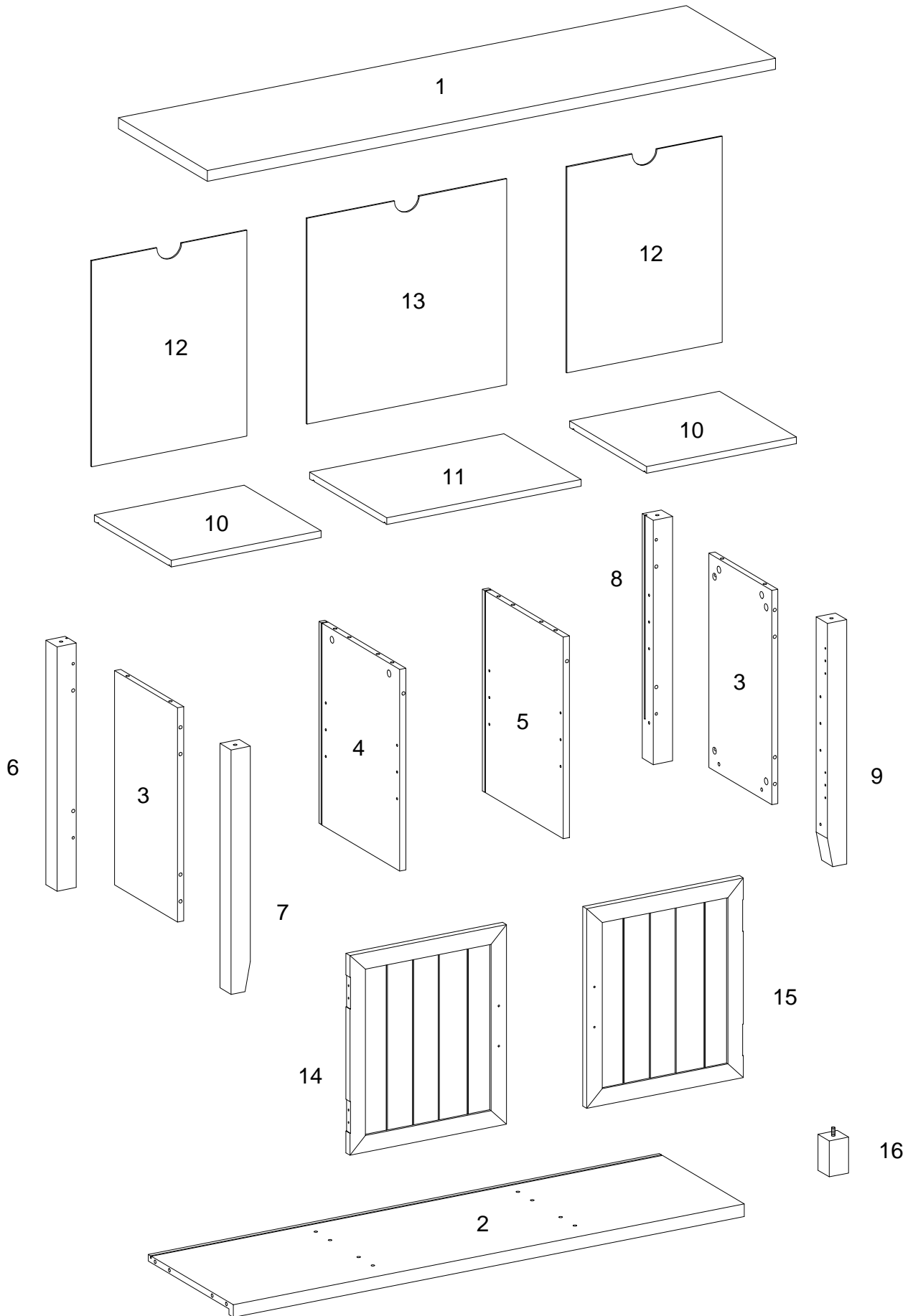


- VII. Power tools should not be used to assemble this product.


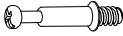
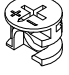




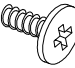

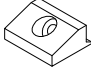
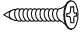
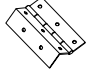





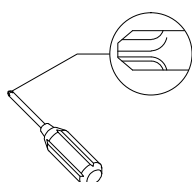
- VIII. Drill may be needed for securing product to wall.

Parts List



Hardware List

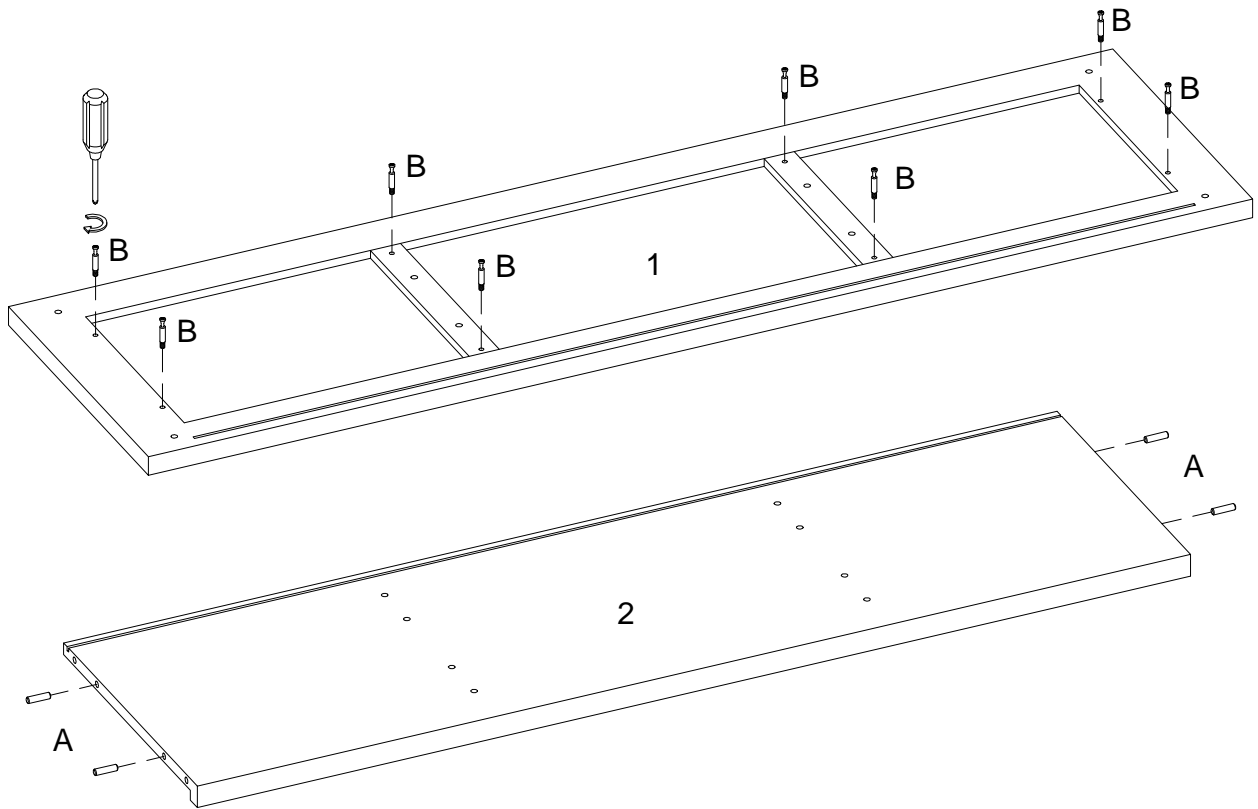
A		Ø8x30mm	Wooden dowel	24 pcs
B		Ø6x35mm	Cam bolt	20 pcs
C		Ø15x11mm	Cam lock	20 pcs
D		Ø30mm	Sticker	20 pcs
E		Ø6x50mm	Bolt	4 pcs
F		M 4	Hex Key	1 pcs
G		Ø8x5x16mm	Shelf support pin	12 pcs
H			Bolt	2 pcs
J		Ø3x17mm	Screw	12 pcs
K			Plastic wedge	12 pcs
L		Ø4x15mm	Screw	32 pcs
M			Hinge	4 pcs
N			Handle	2 pcs
P		5/32"x25mm	Handle Bolt	4 pcs
Q			Glue tube	1 pcs



Philips head screwdriver required for assembly
(not included)

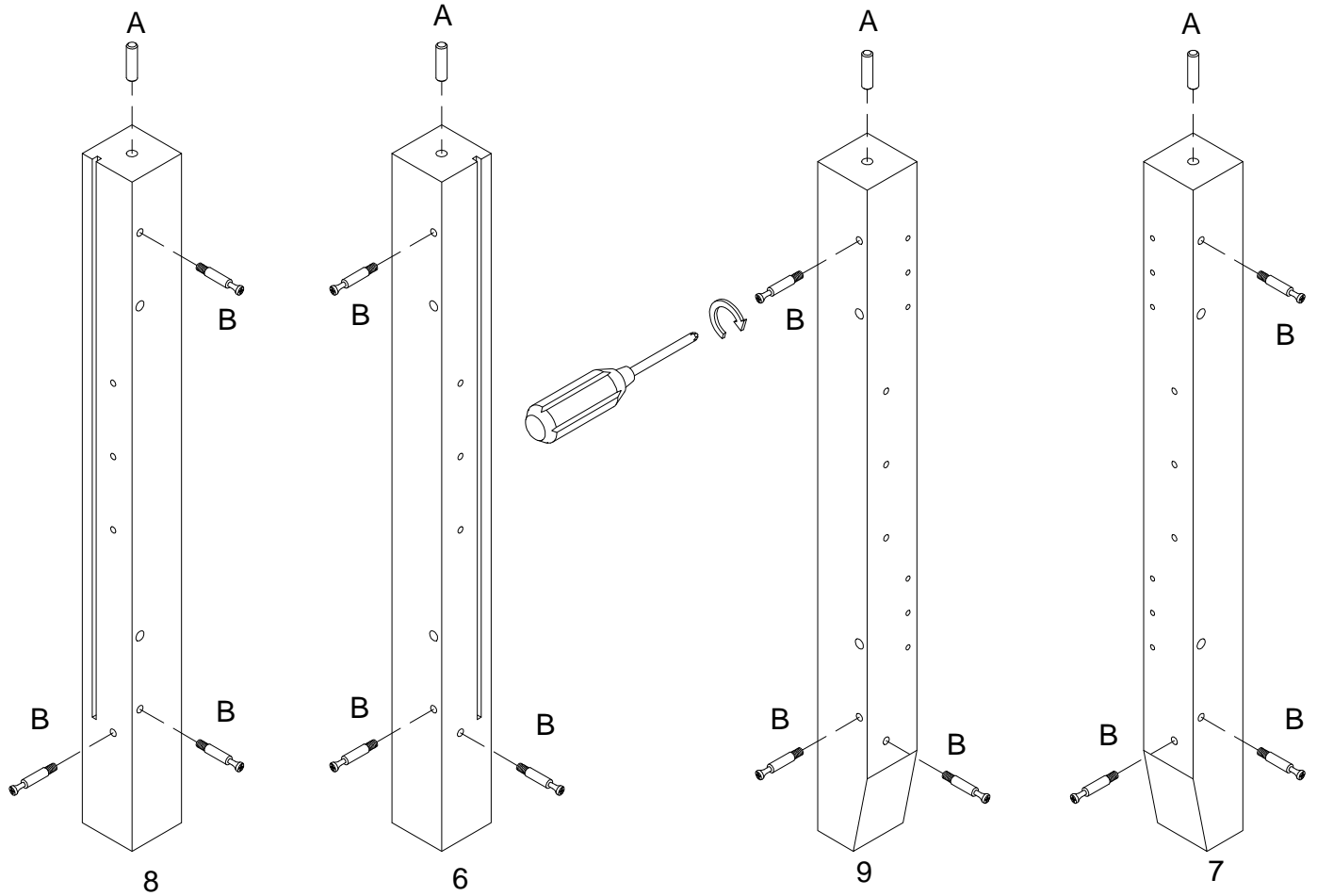
*The hardware quantities listed above are required for proper assembly.
Some extra hardware may also have been included.*

Step 1



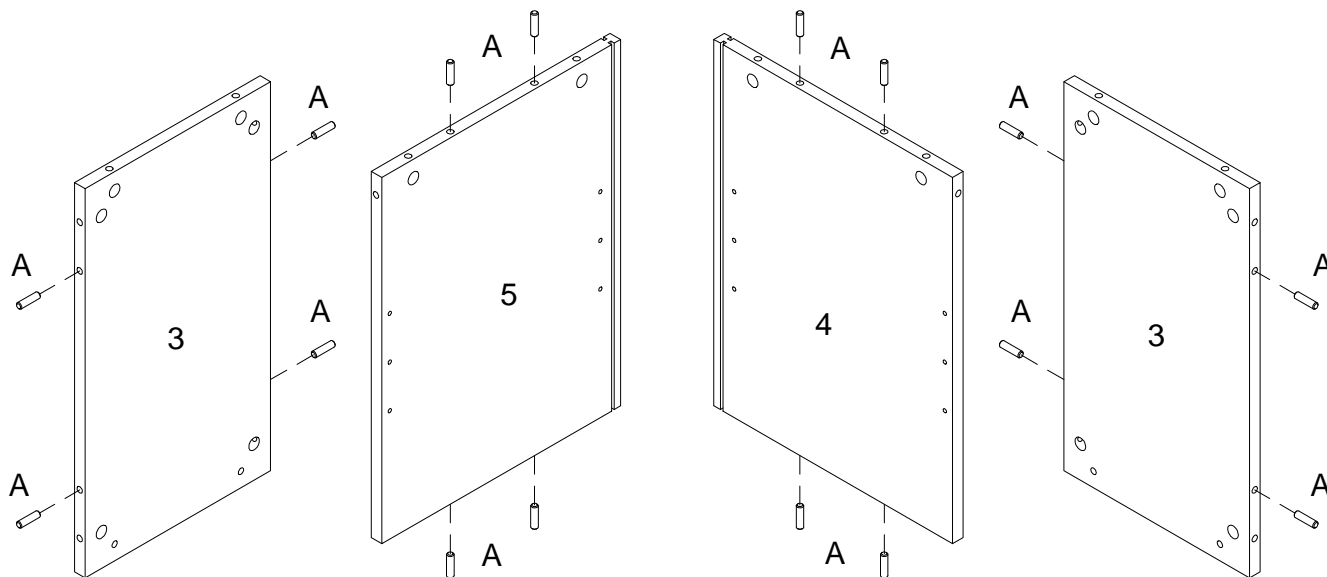
Insert wooden dowel (A) into part (2), secure cam bolt (B) with screwdriver into part (1).

Step 2



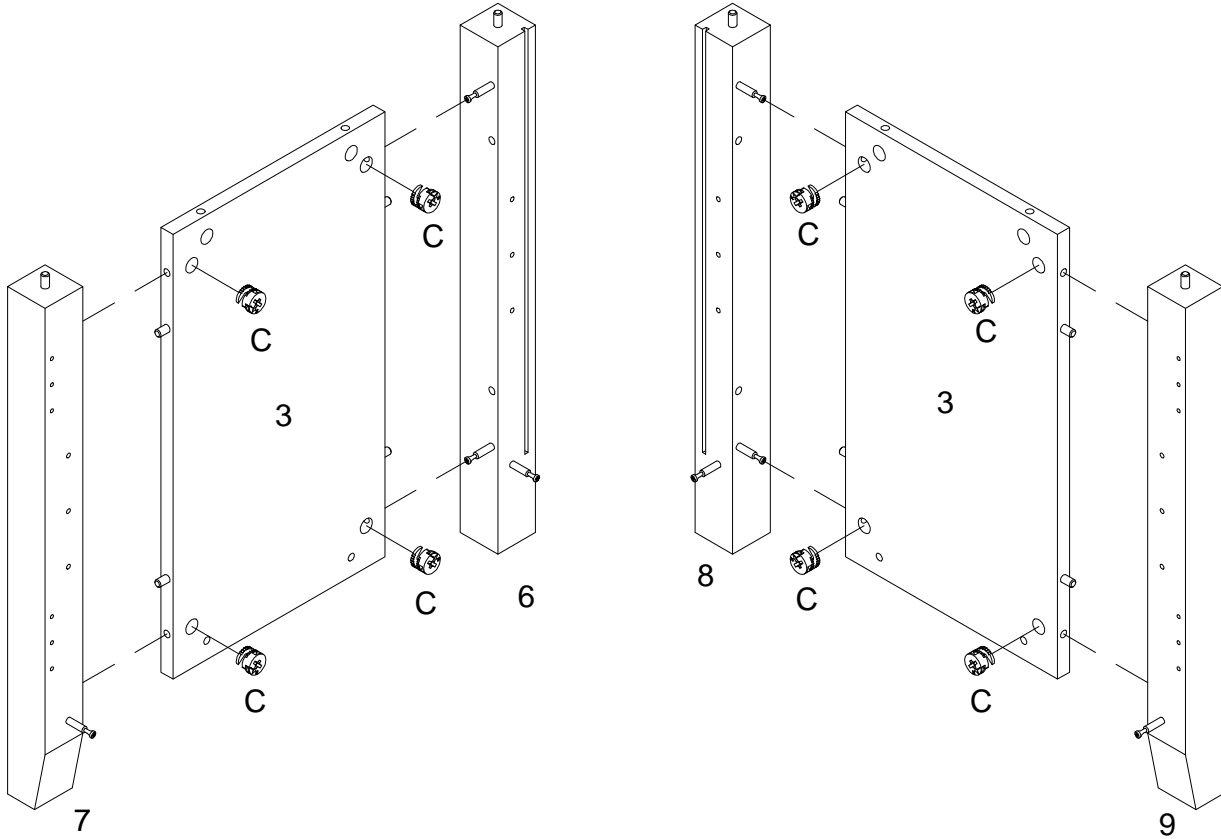
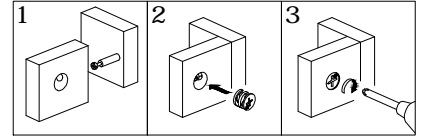
Insert wooden dowel (A) into part(6,7,8,9), and secure cam bolt (B) with screwdriver into part (6,7,8,9)

Step 3



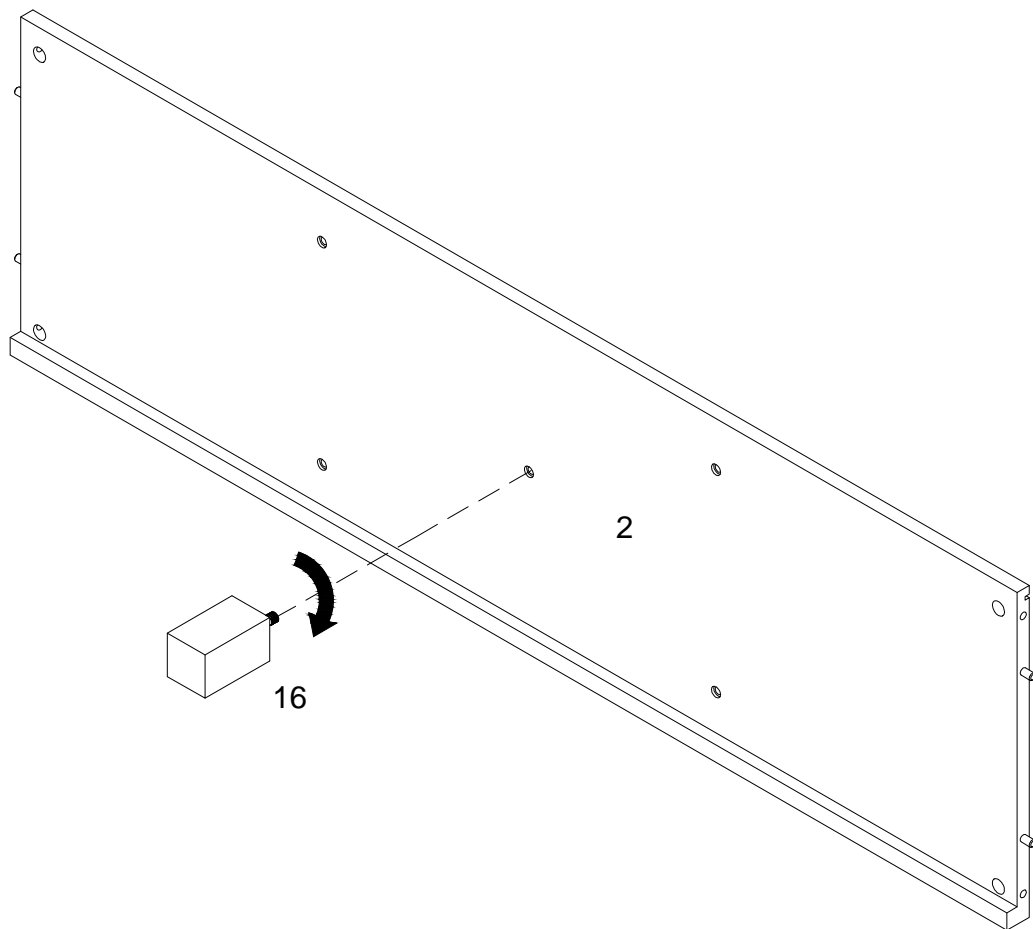
Insert wooden dowel (A) into parts(3,4,5)

Step 4



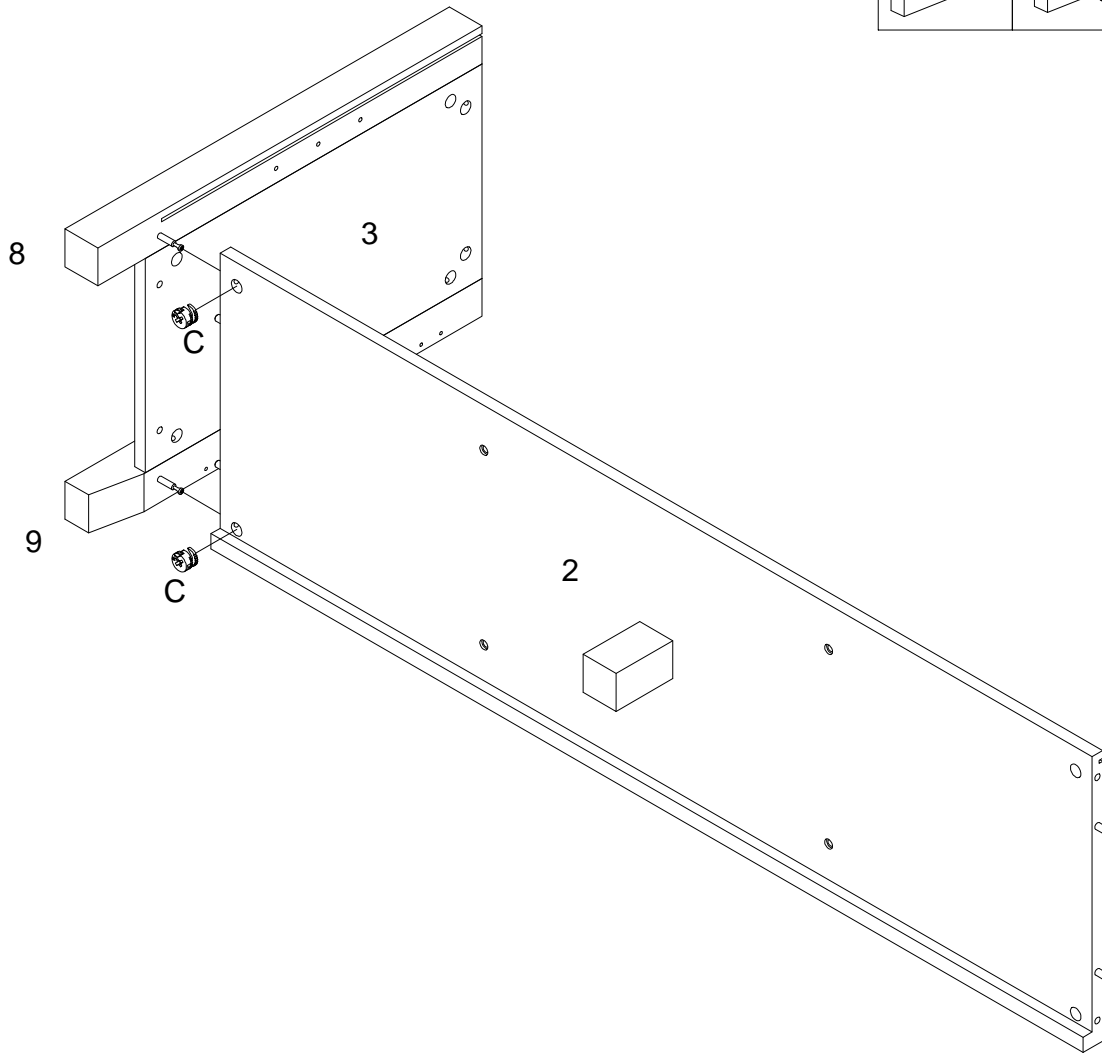
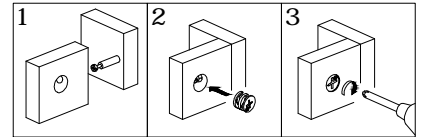
Secure cam bolt (C) into parts (3)two sides

Step 5



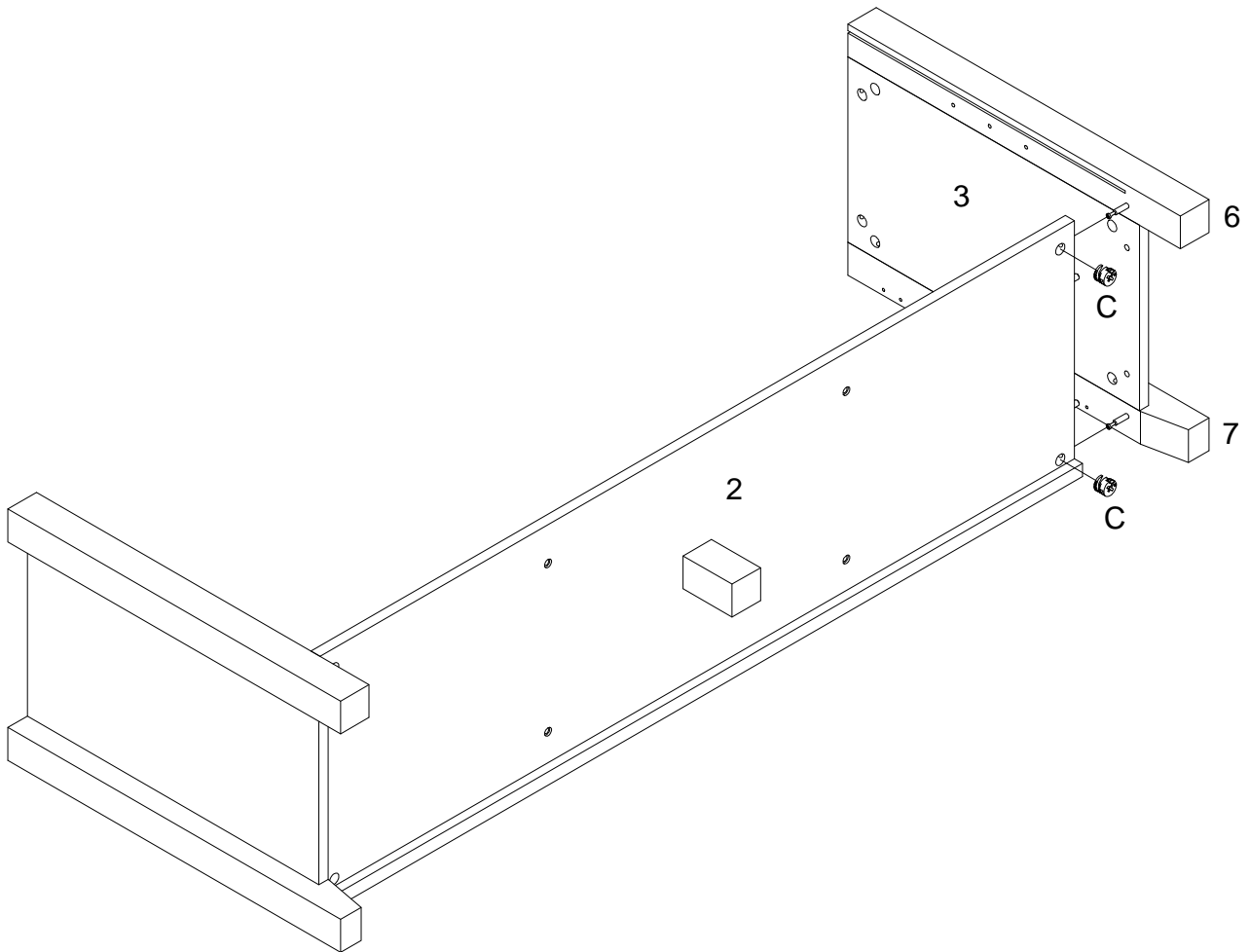
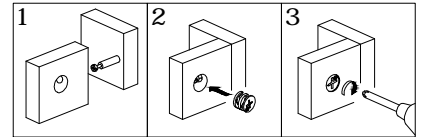
Rotate part (16) to part(2) clockwise

Step 6



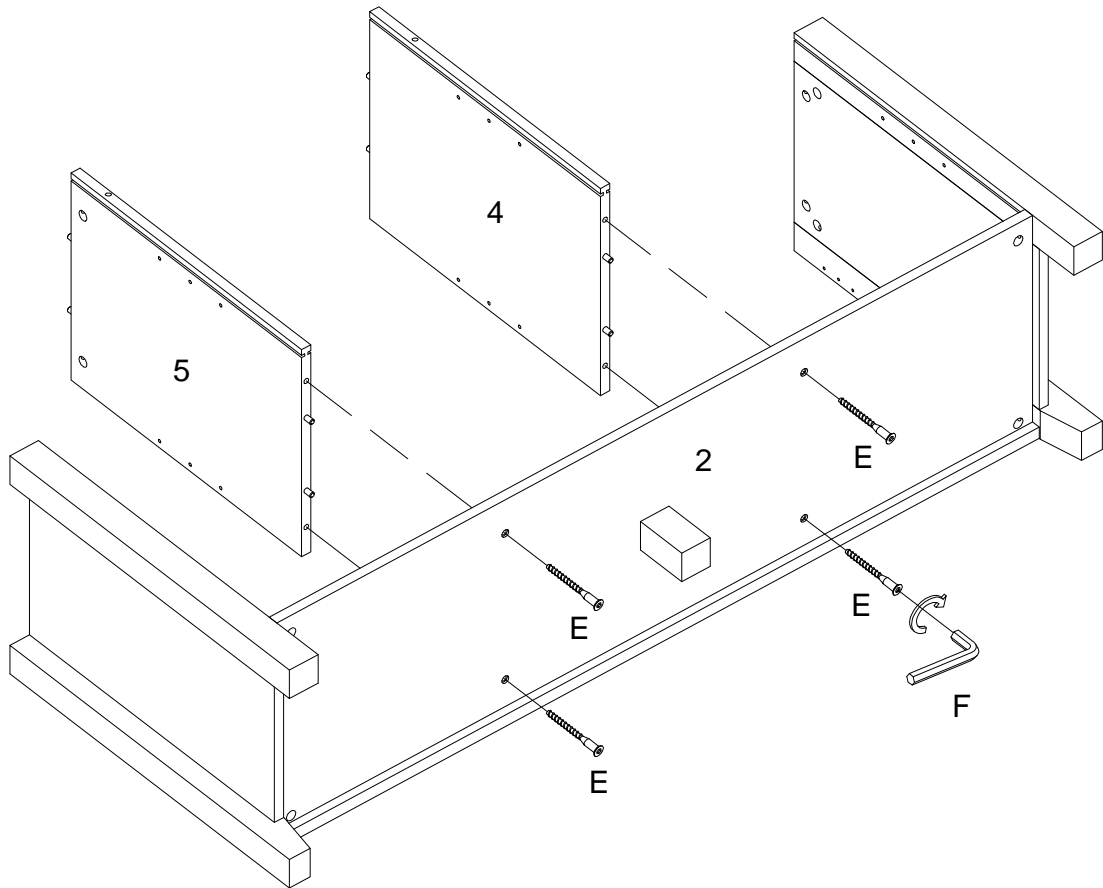
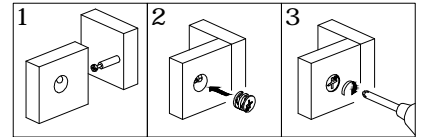
Attach part (2) to parts (8,9) using cam lock (C)

Step 7



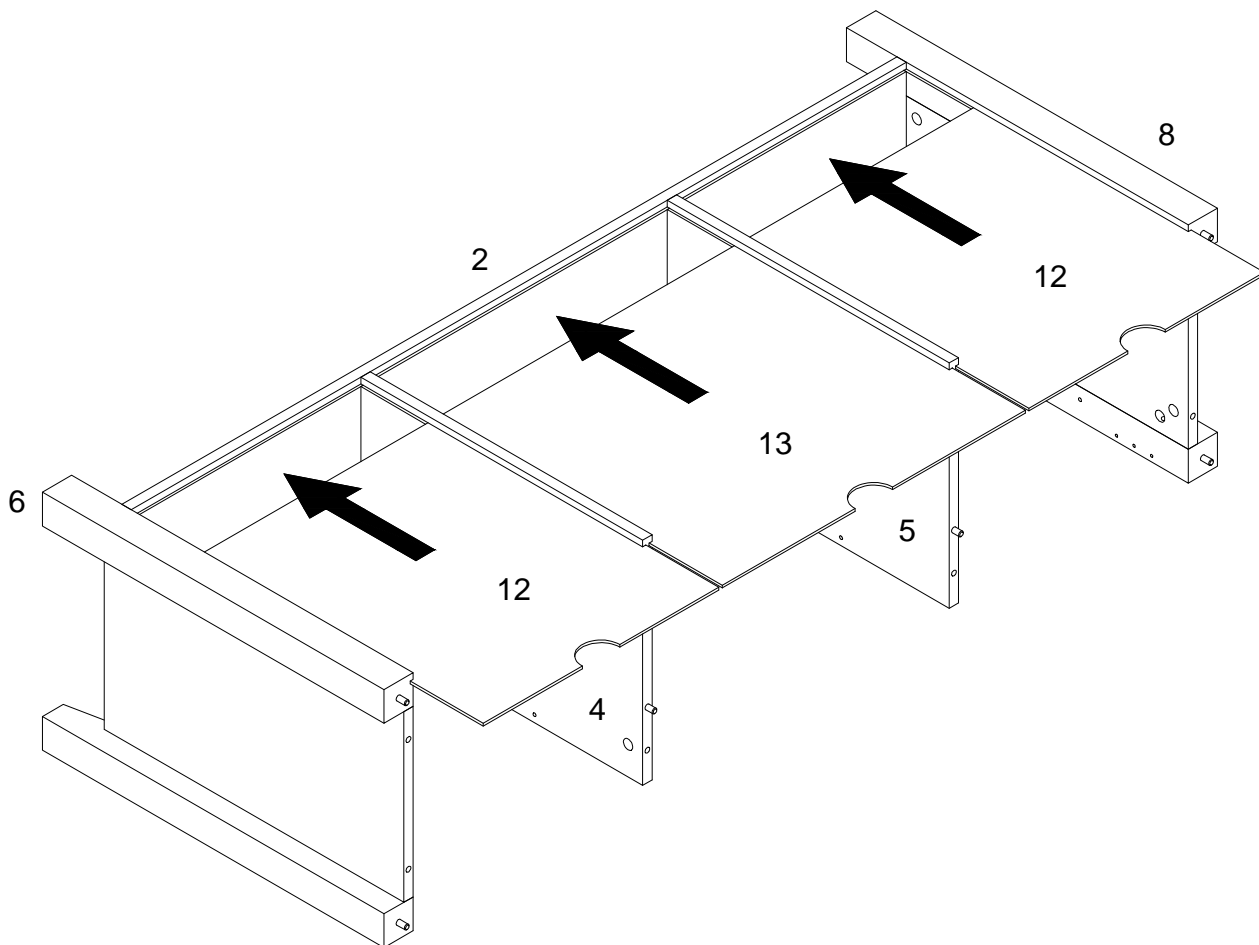
Secure Cam lock (C) into part (2) and attach to parts(6,7)

Step 8



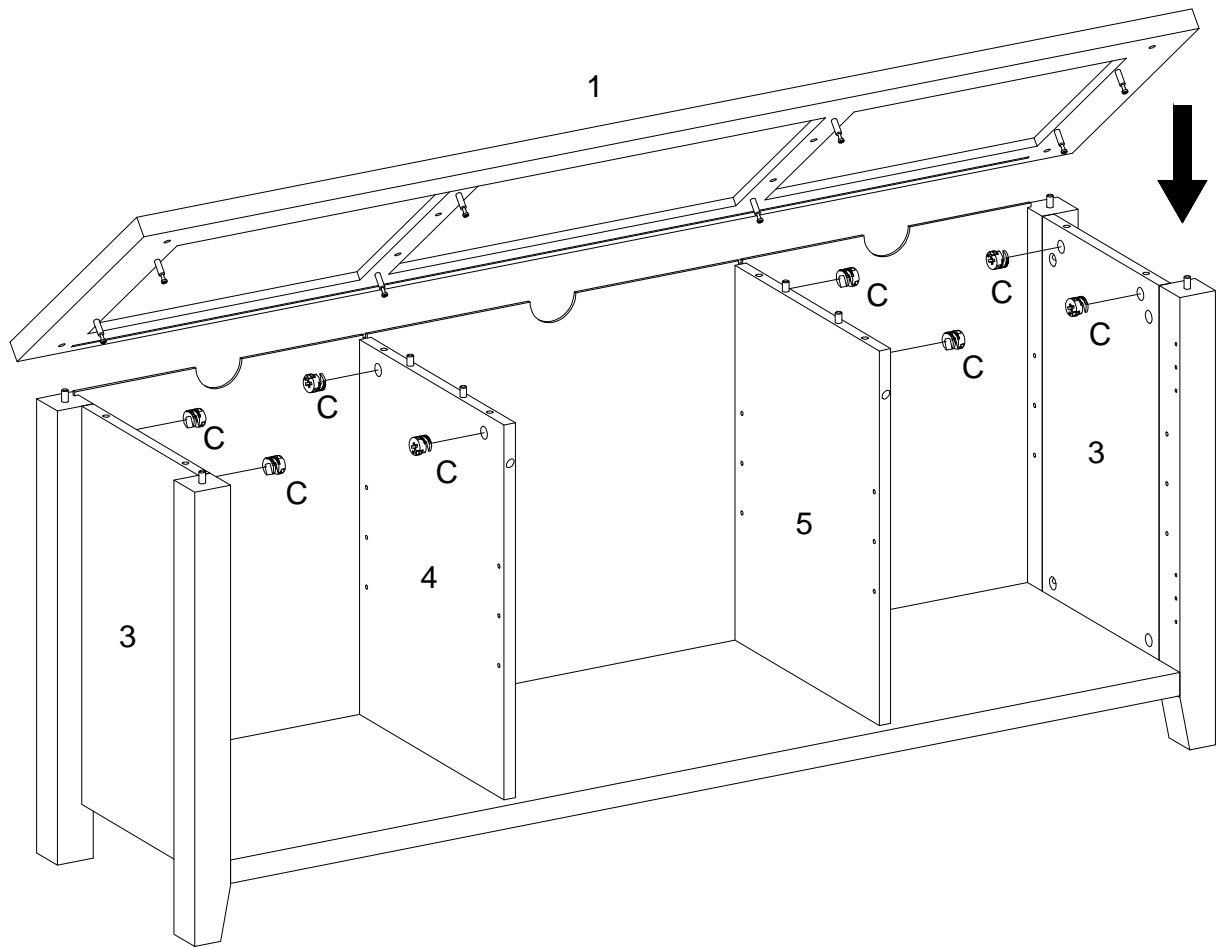
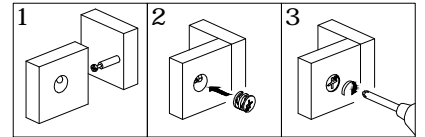
Attach parts(4,5) to part(2) by using bolt (E), Hex Key (F) to secure

Step 9



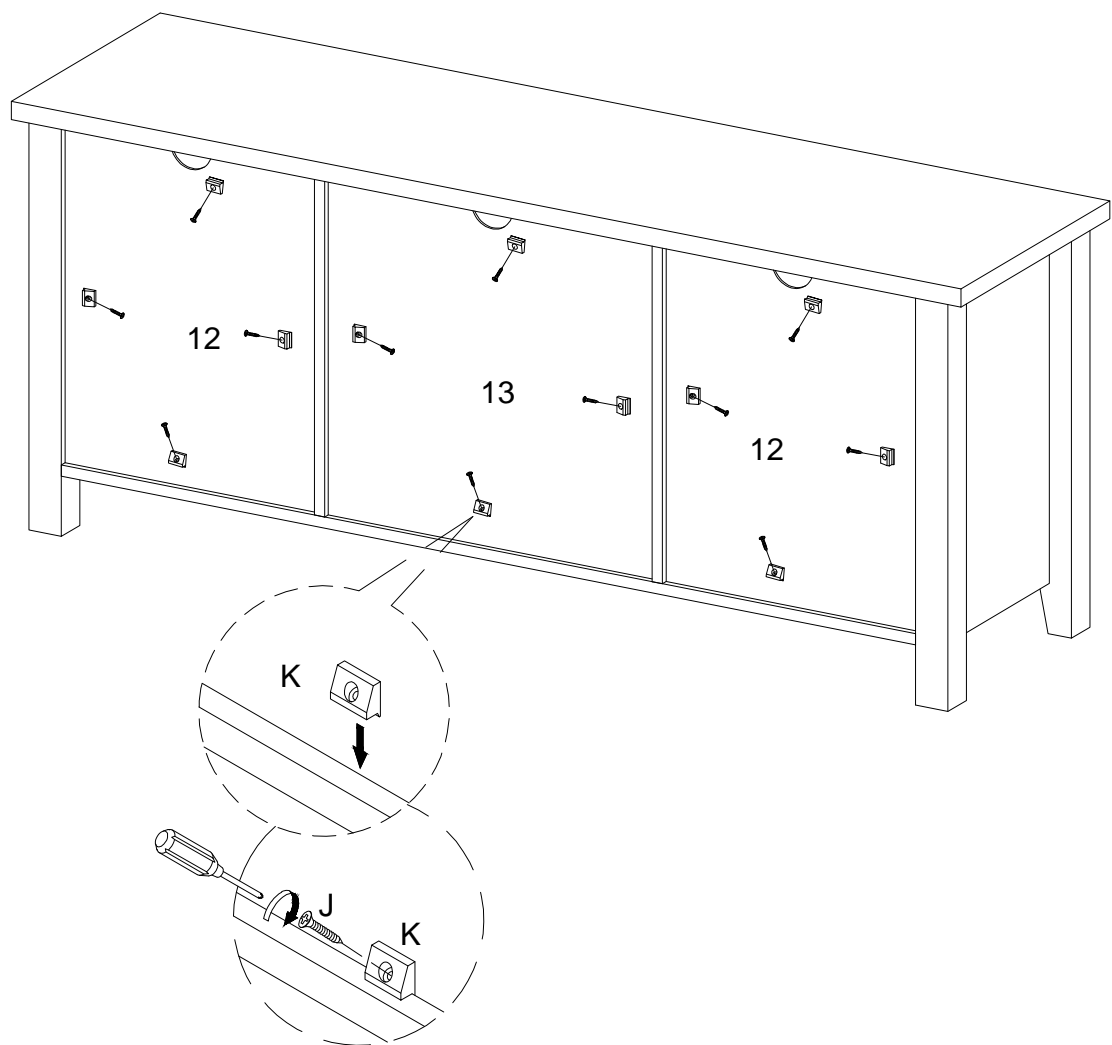
Insert part (12,13) to part (2)

Step 10



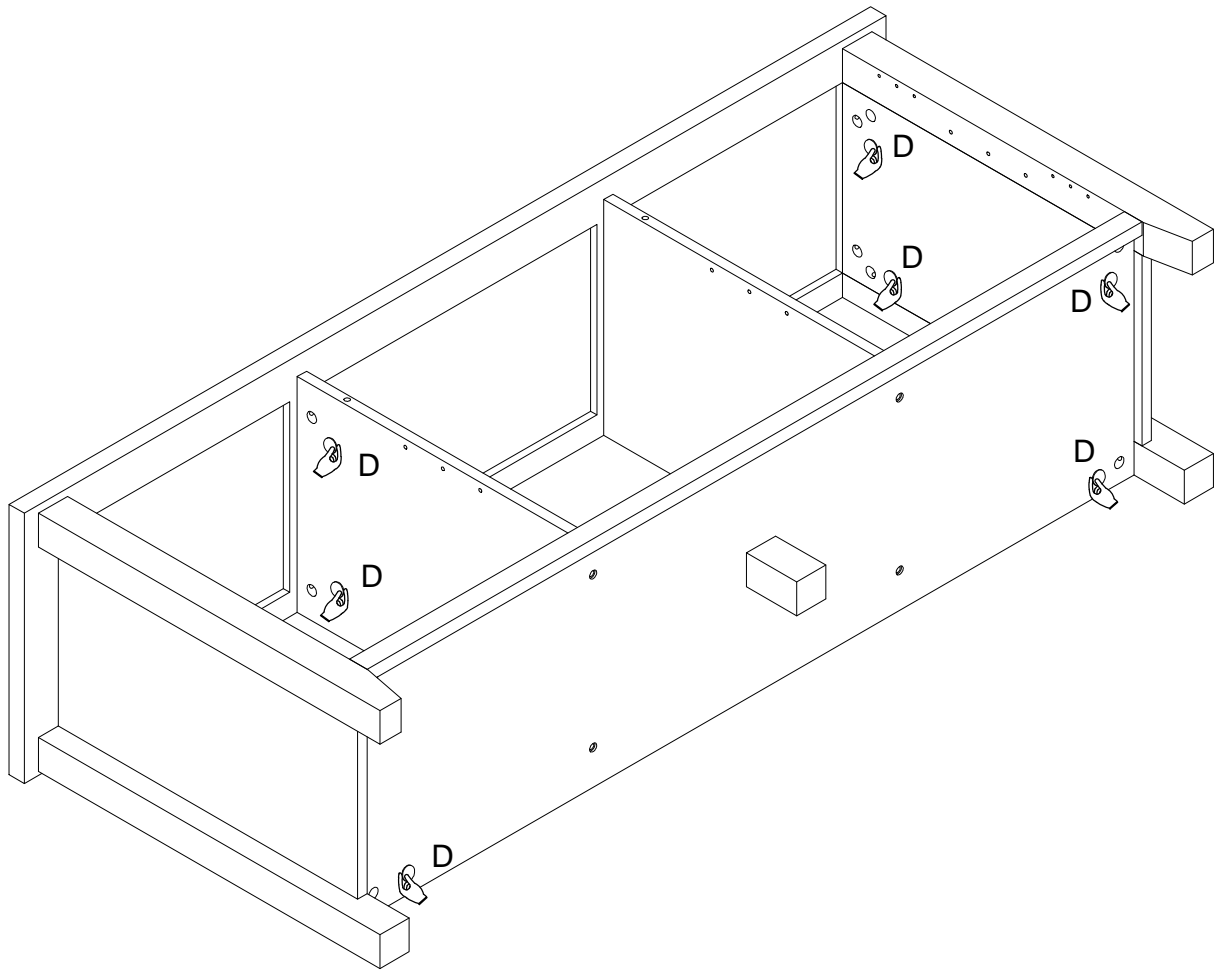
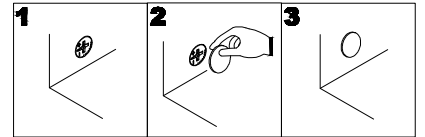
Insert part (1) into part (3,4,5) then insert and secure cam lock (C) to part (3,4,5) to lock it.

Step 11



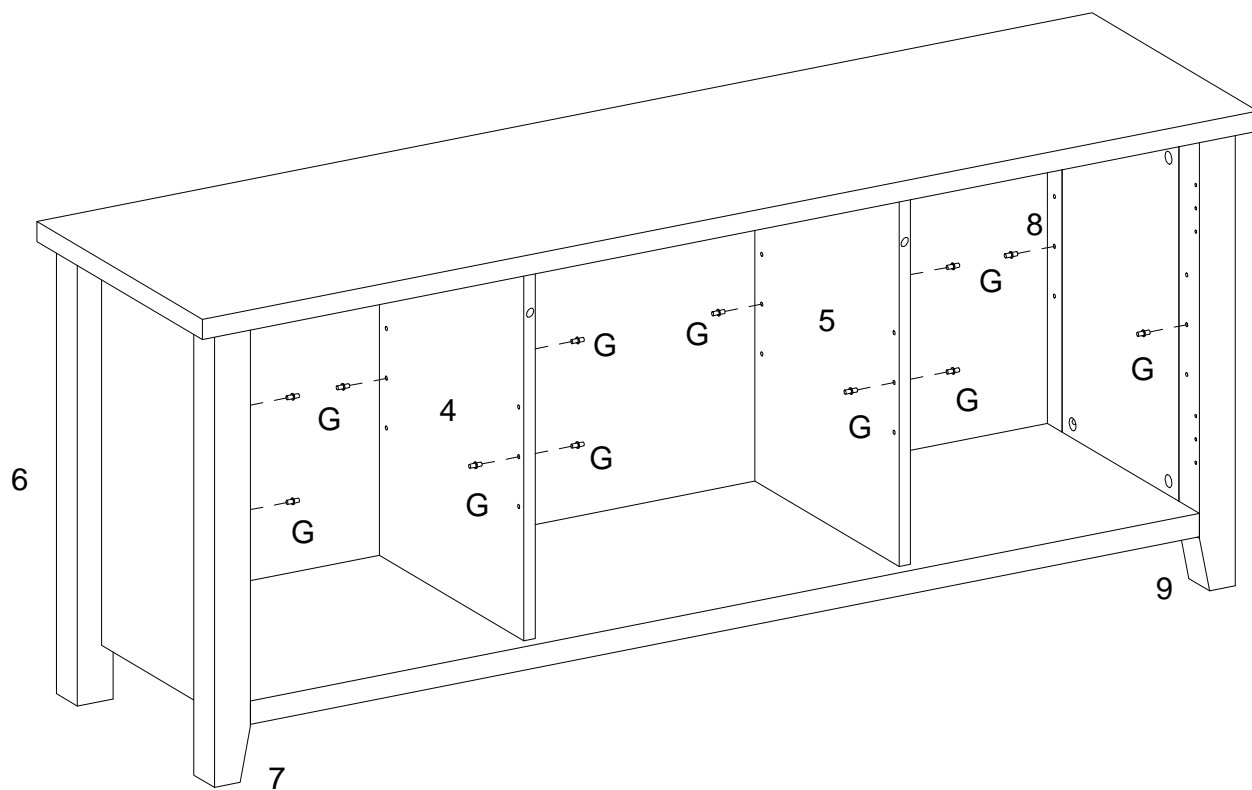
Secure plastic wedge (K) to back panel (12,13) using screw (J) with screwdriver.

Step 12



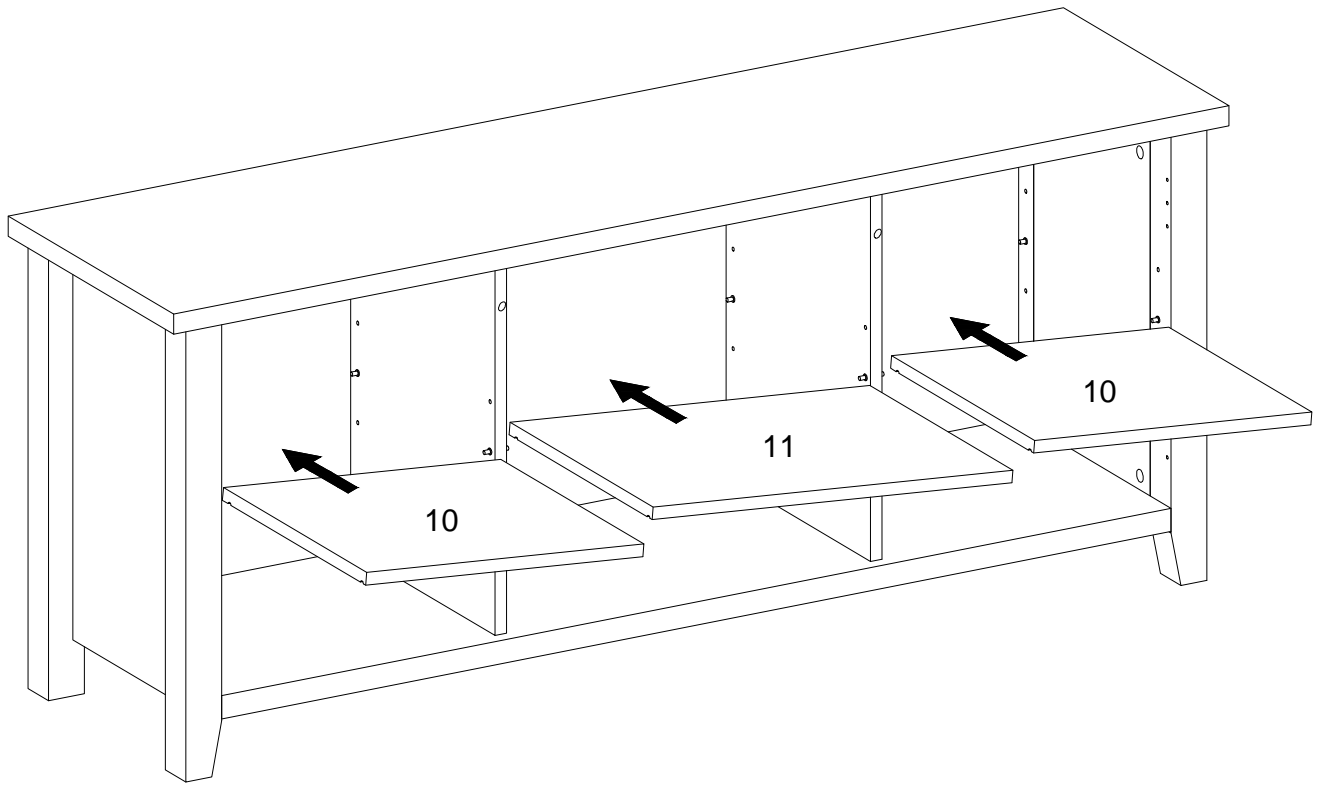
Place sticker (D) over holes as per diagram.

Step 13



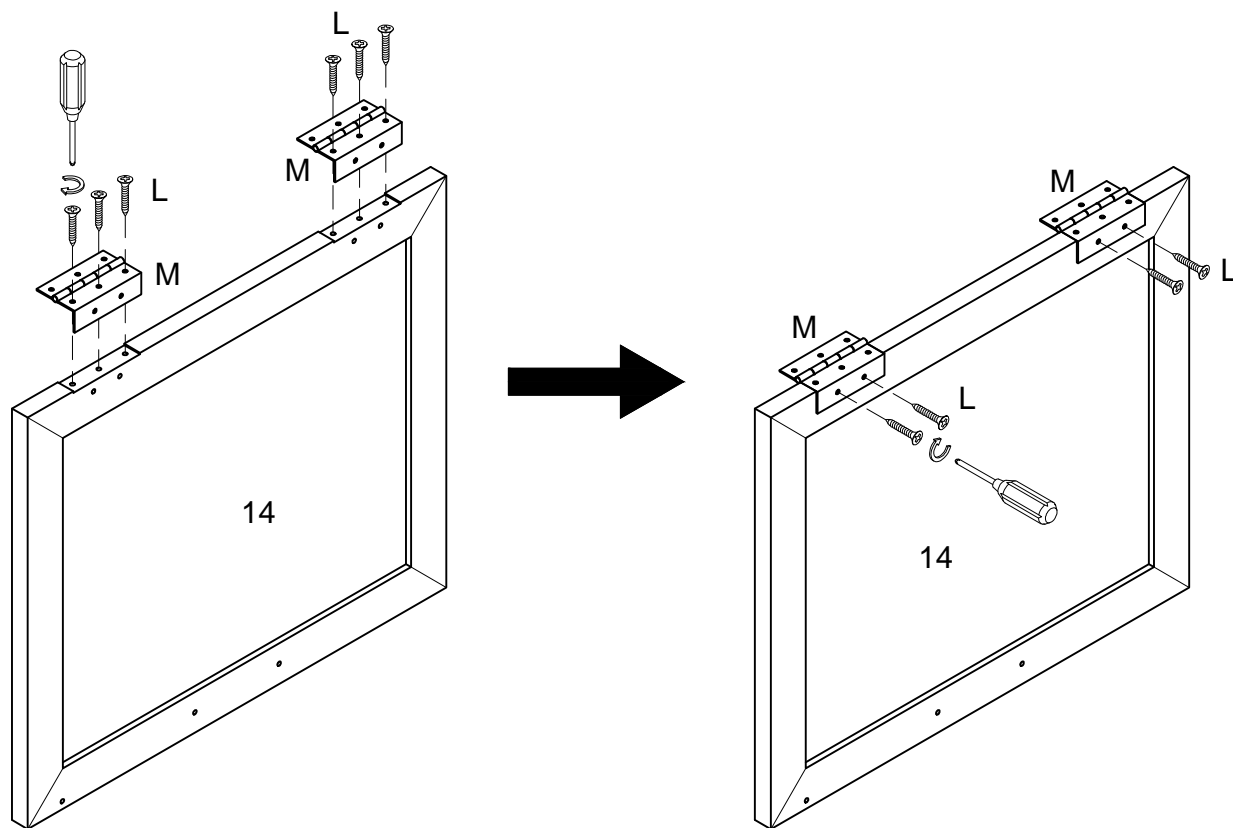
Insert shelf support pin (G) into part (6,4,5,8, 7, 9),

Step 14



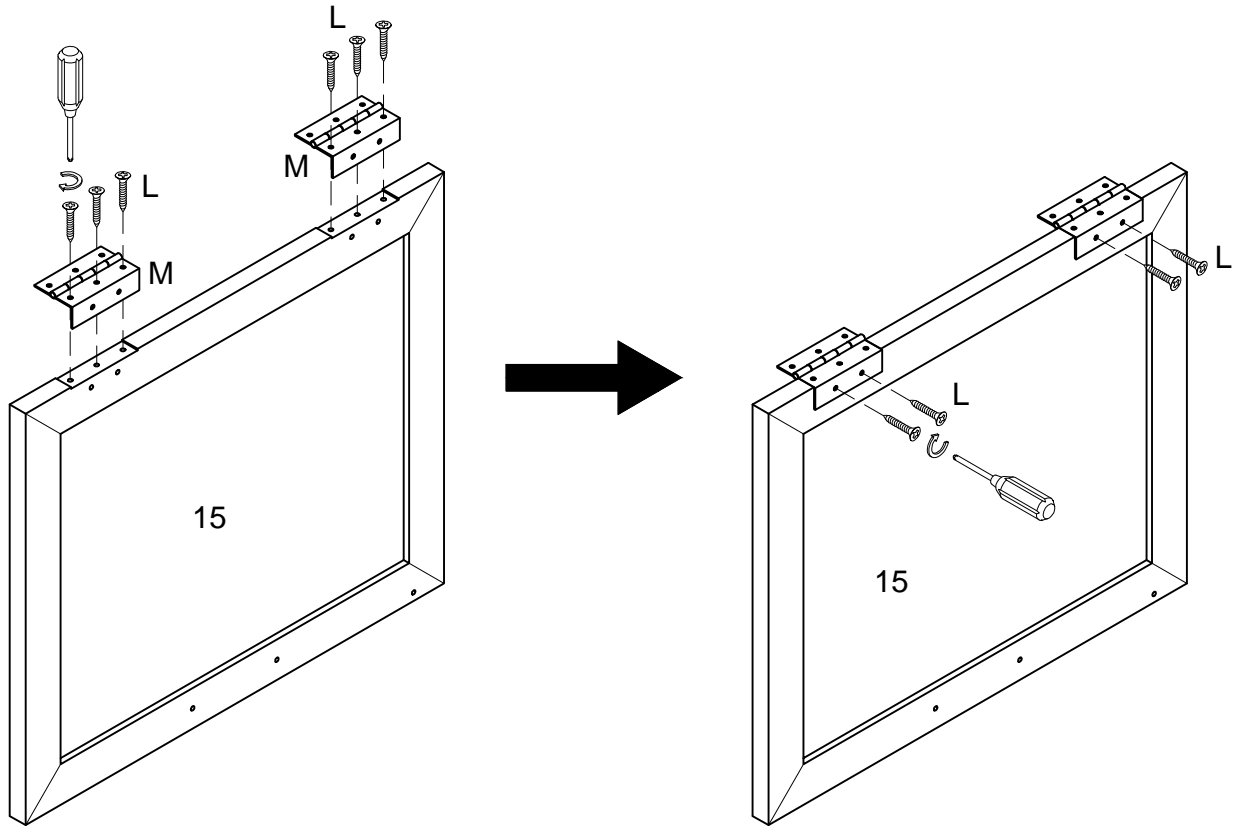
Place shelf (9,10) on top of support pin (G).

Step 15



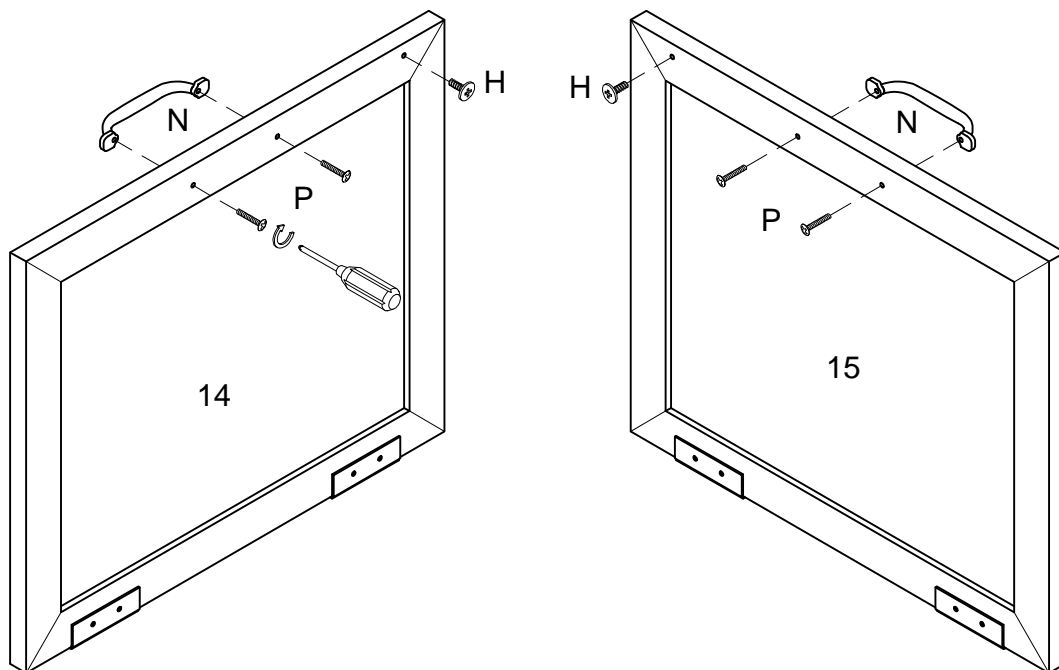
Slide door (14) onto door hinge (M) as shown in diagram and secure it with screw (L).

Step 16



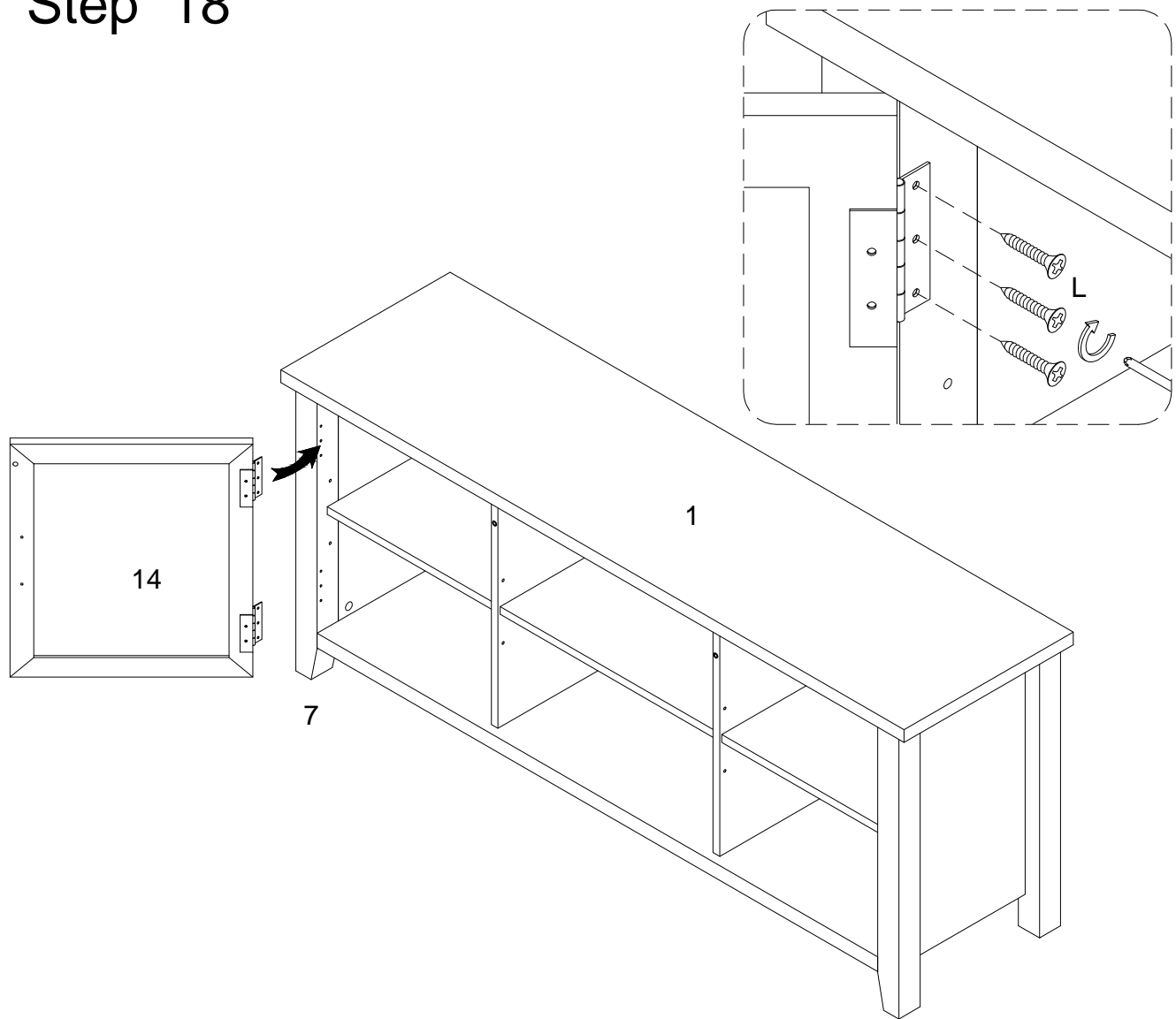
Slide door (15) onto door hinge (M) as shown in diagram and secure it with screw (L).

Step 17



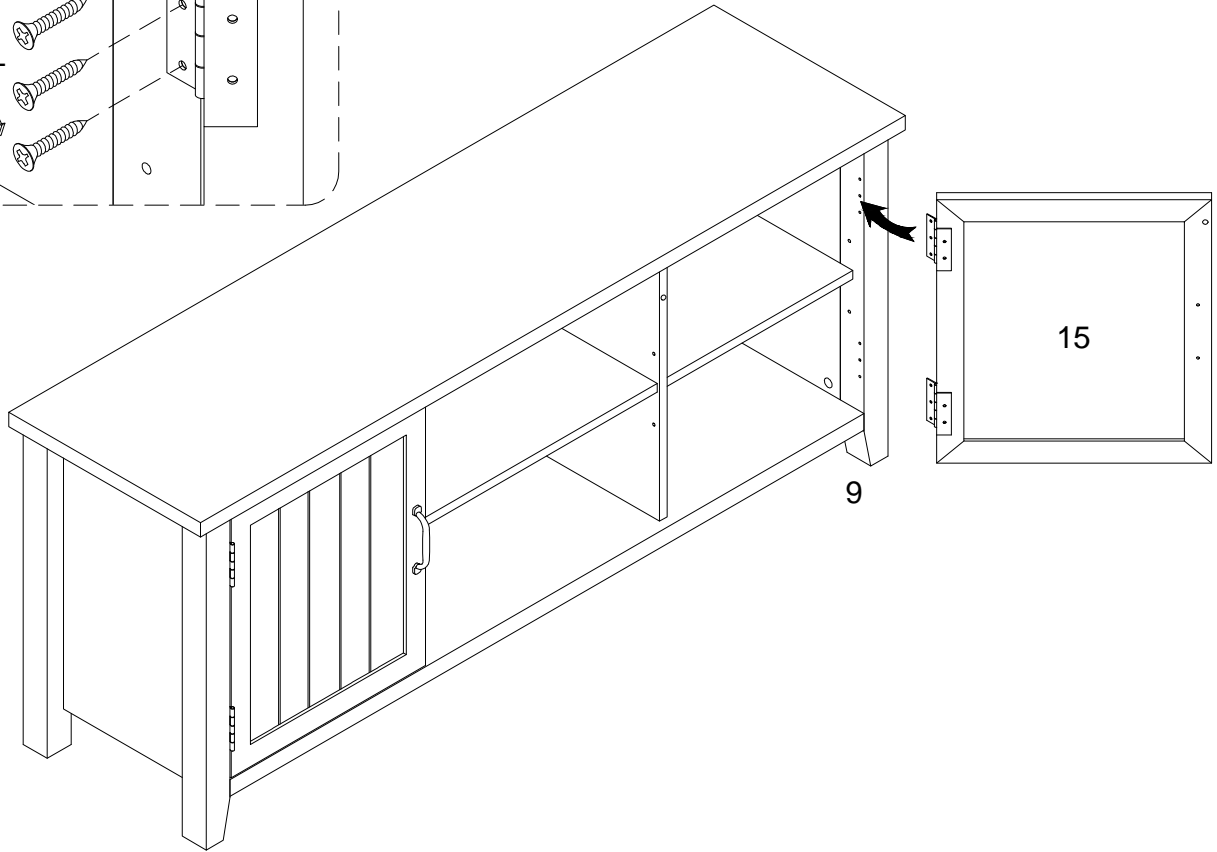
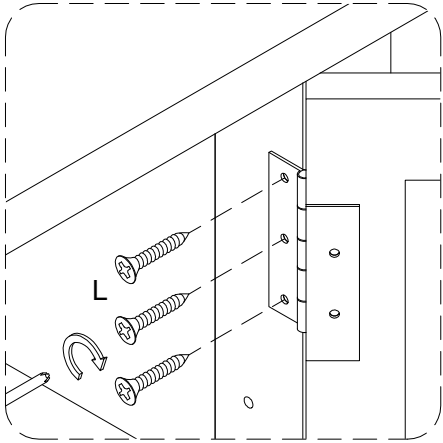
Attach handle (N) to part (14,15) using handle bolt (P) with screwdriver.

Step 18



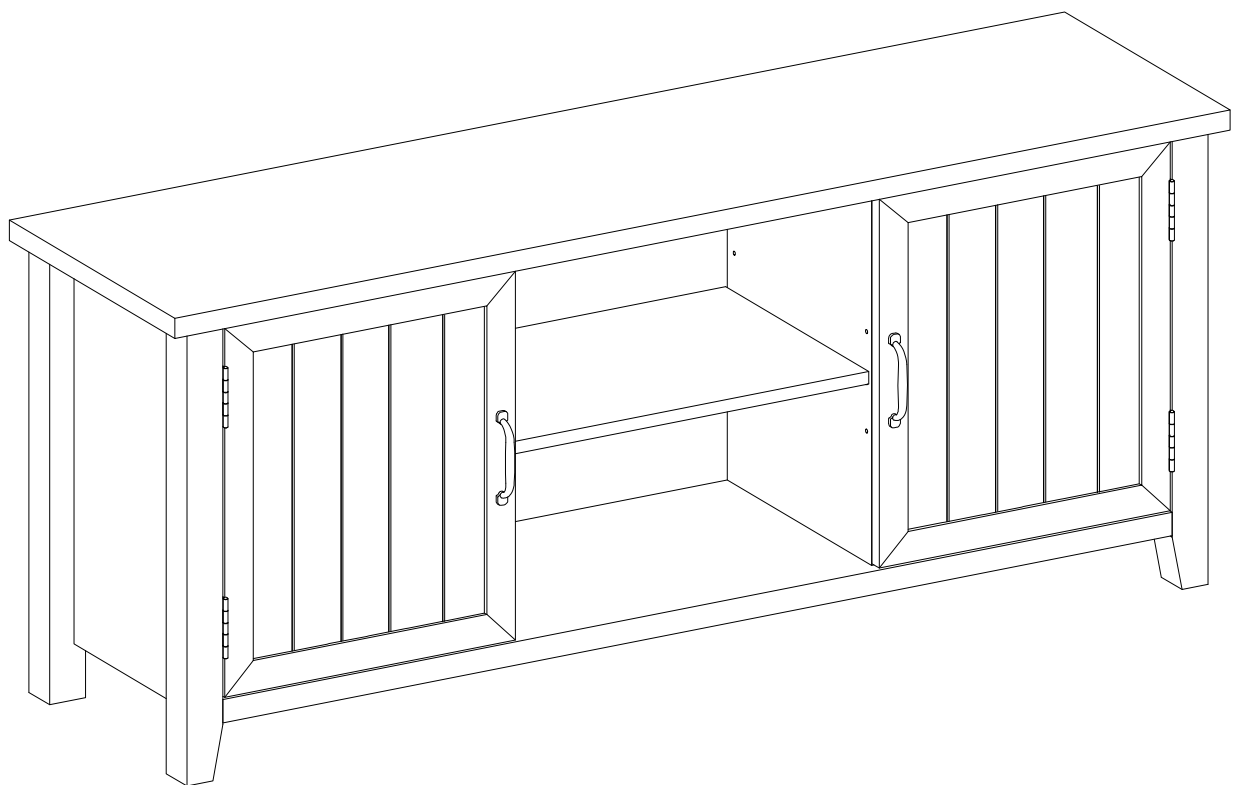
Attach Screw (L) to the door hinge (M) to secure the door(14)

Step 19



Attach Screw (L) to the door hinge (M) to secure the door(15)

Step 20



Final Assembly