

4 PCS RESIN WICKER SEATING SET

Assembly Instructions



A buddy is helpful
for assembly.

CUSTOMER SERVICE

If you have a question about assembly, use or a possible missing part, please contact us and we will be glad to assist you.

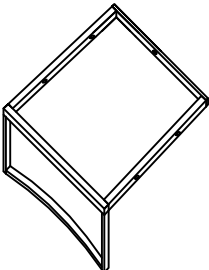
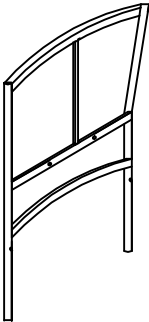
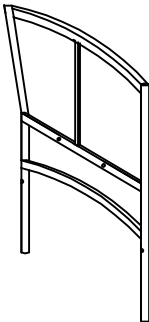
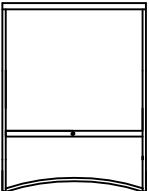
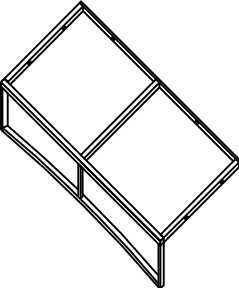
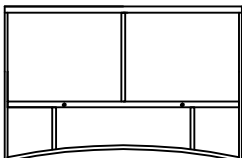
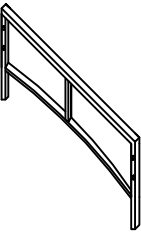
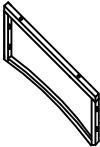
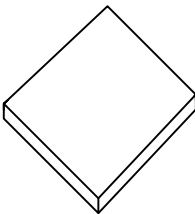
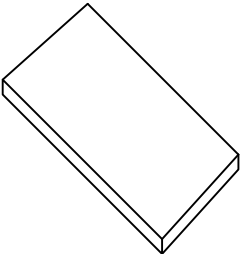
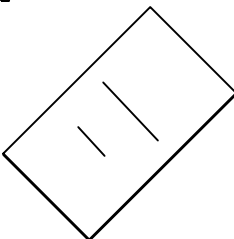
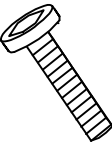


CARE AND MAINTENANCE

- Use a sponge to wash with a mild solution of soap and water. Rinse with water and allow to dry completely before use.
- **Cushion cover cleaning:** Remove the cushions from the cushion covers and set the cushions aside. Mix about 1 tablespoon of mild laundry detergent or dish wash in about two cups of warm water and stir until frothy. Dampen a sponge in this solution. Using the dampened and soapy sponge, gently clean the cushion fabric. For particularly tough dirt stains, try to dislodge with the soft-bristle brush, lightly soak in the soap solution. After cleaning the cushion covers, let them hang-dry for 1 hour.
- **Glass cleaning:** Clean the glass with a mild glass cleaner solution.
- Cover the furniture when not in use.

IMPORTANT

- Regularly check all fastenings to make sure that they are properly tightened.
- Do not stand on the product or use it as a step ladder. Use proper supervision for children.

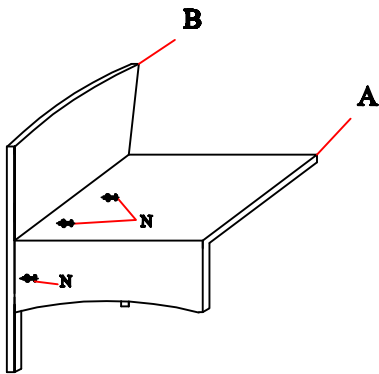
PARTS LIST AND HARDWARE

<p>Ax2</p>  <p>Seat Frame</p>	<p>Bx3</p>  <p>Left Frame</p>	<p>Cx3</p>  <p>Right Frame</p>
<p>Dx2</p>  <p>Back Frame</p>	<p>Ex1</p>  <p>Bench Seat Frame</p>	<p>Fx1</p>  <p>Bench Back Frame</p>
<p>Gx2</p>  <p>Table Leg Frame</p>	<p>Hx2</p>  <p>Table Side Frame</p>	<p>Jx2</p>  <p>Seat Cushion</p>
<p>Kx1</p>  <p>Bench Cushion</p>	<p>Lx1</p>  <p>Table Glass</p>	
<p>Nx42</p>  <p>Bolt M6x30</p>	<p>Ox42</p>  <p>Washer 16x8x1</p>	<p>Px1</p>  <p>Allen Key</p>

SINGLE CHAIR (2 PCS)

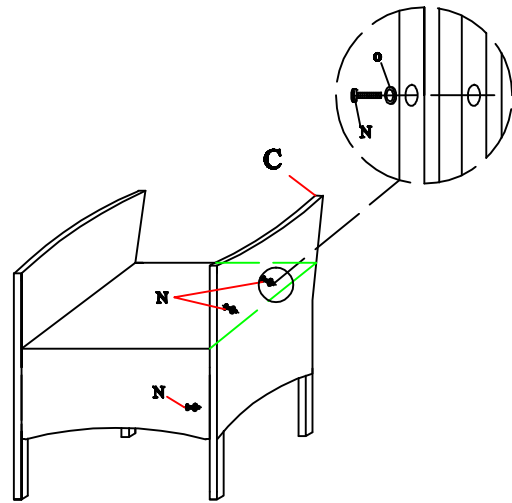
STEP 1

Connect left frame B & seat frame A with bolt N with allen key



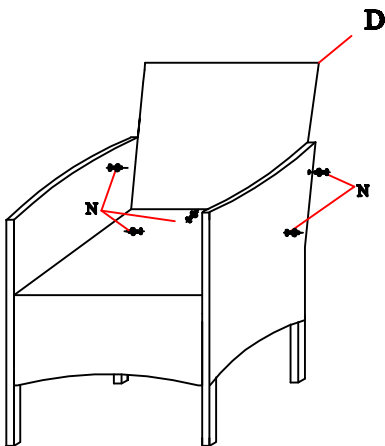
STEP 2

Connect the part from step 1 and right frame C with bolt N with allen key



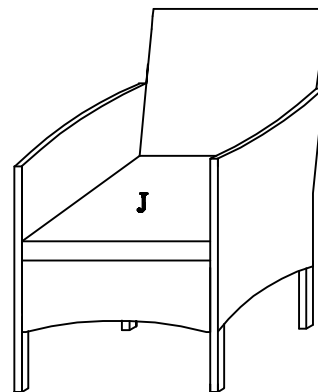
STEP 3

Connect the part from step 2 and back frame D with bolt N with allen key



STEP 4

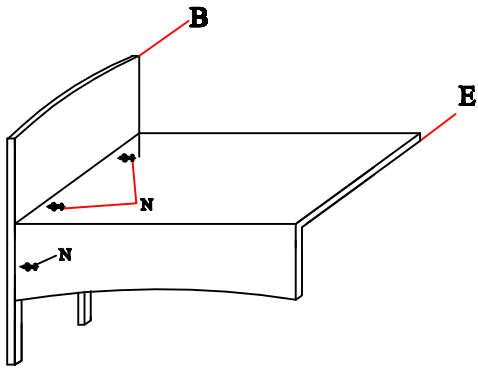
Put on the seat cushion J to finish singhler chair



2-SEATER BENCH (1 PIECE)

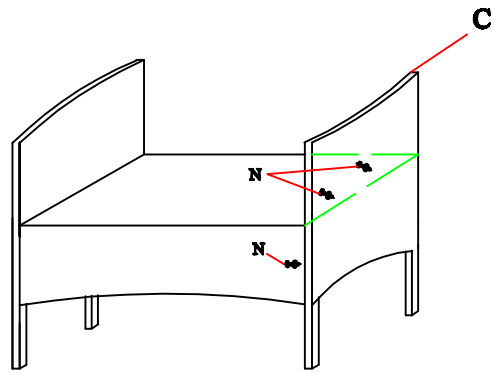
STEP 5

Connect left frame B & bench seat frame E with bolt N with allen key



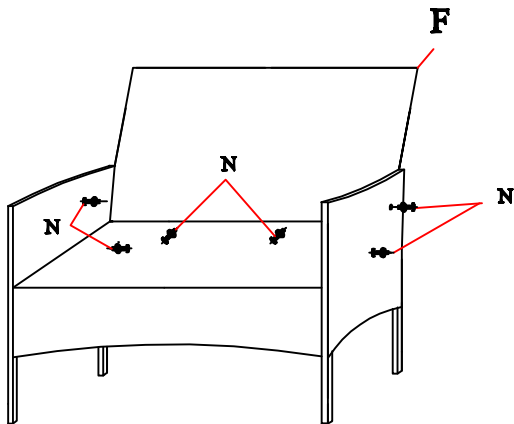
STEP 6

Connect the part from step 5 and right frame C with bolt N with allen key



STEP 7

Connect the part from step 6 and bench back frame F with bolt N with allen key



STEP 8

Put on the bench cushion K to finish Bench

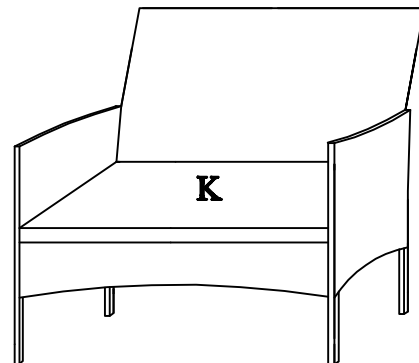
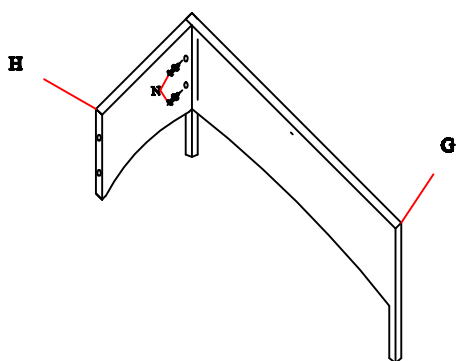
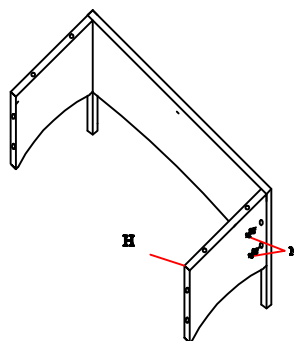


TABLE (1 PIECE)

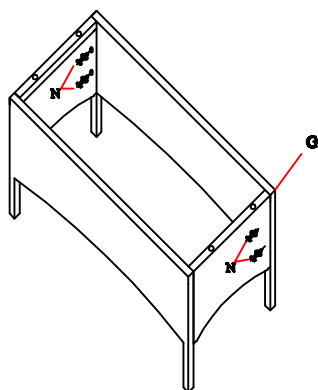
STEP 9
Connect Table leg frame G & table side frame H with bolt N with allen key



STEP 10
Connect the part from step 9 and table side frame H with bolt N with allen key



STEP 11
Connect the part from step 10 and Table leg frame G with bolt N with allen key



STEP 8
Put on Table Glass L to finish Table

