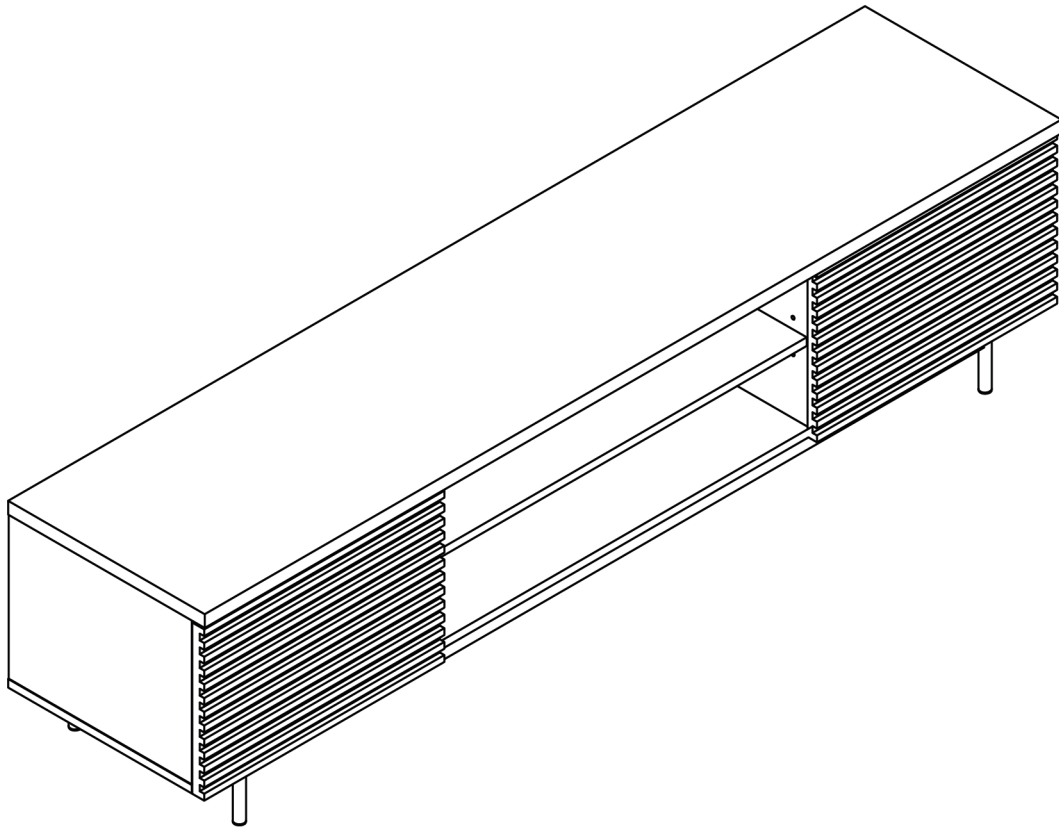


TV Stand



The instruction booklet contains **IMPORTANT** safety information. Please read it in full and keep it for future reference.

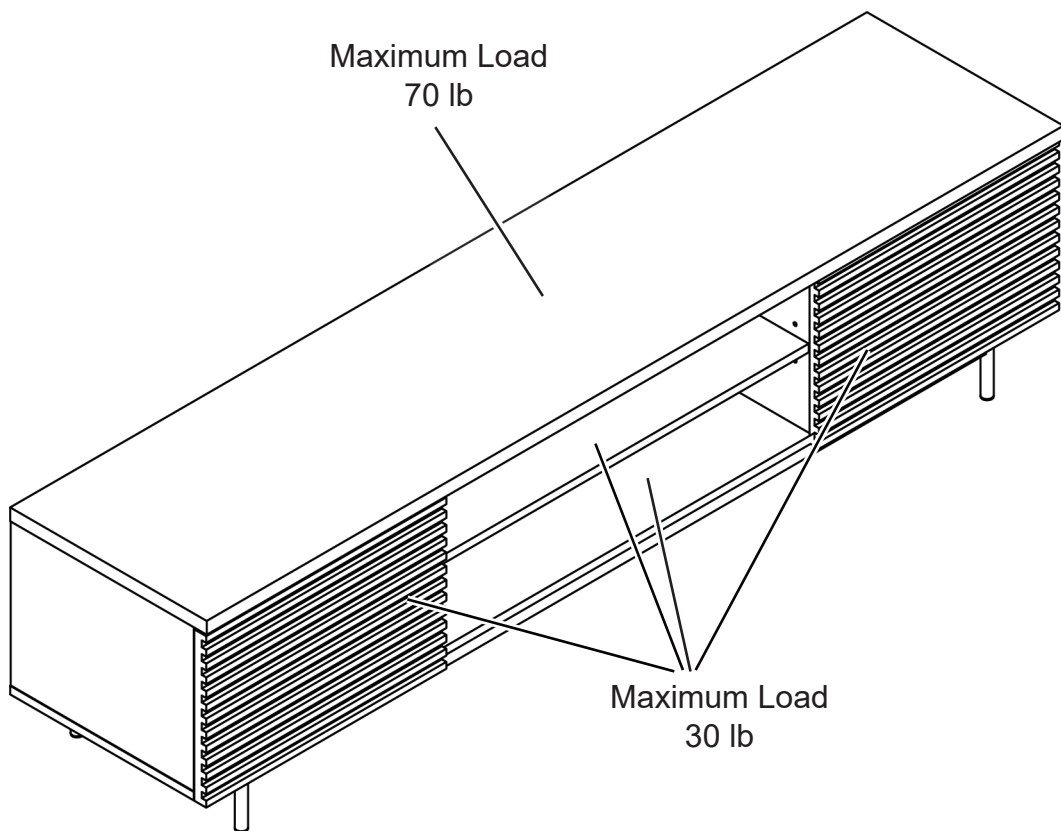


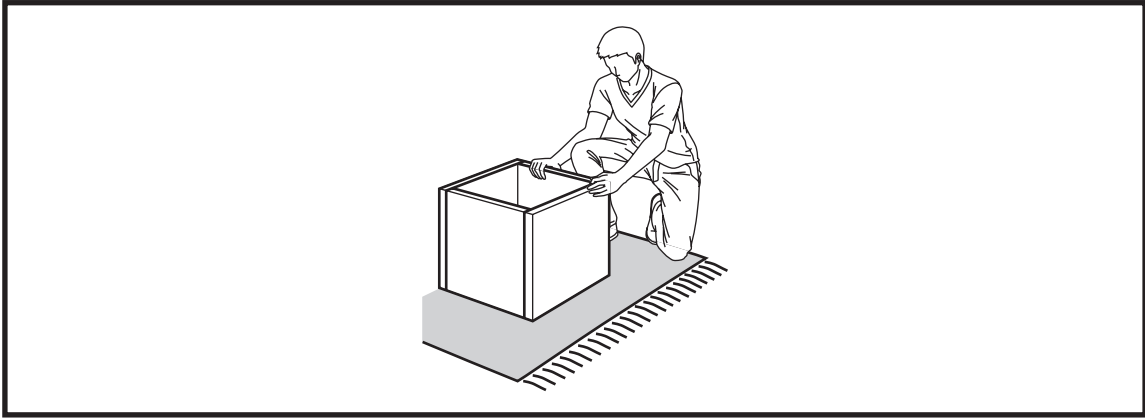
Estimated time for assembly:

90 mins



Weight limitations are as follows:

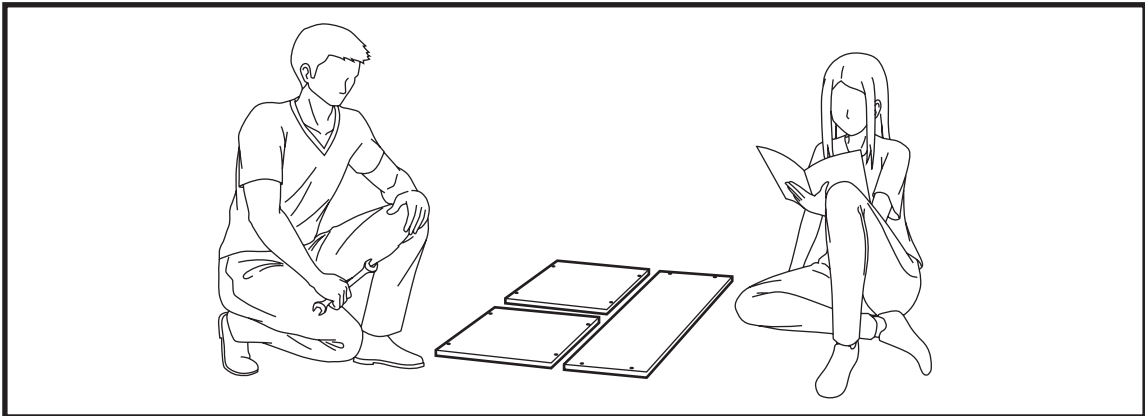




Assemble the furniture on an empty carton, carpet, or rug to prevent scratches or damage.

For safety, please keep pets and children away from the assembly area.

Ensure the product is fully assembled before use. If you are missing any hardware or products, do not use it until you have restored the missing parts.



This furniture requires 2 people for assembly.

Read this instruction manual prior to assembly to familiarize yourself with the various steps.

Lay out all components and hardware separately on a flat surface and make sure that no parts are missing or damaged before assembly. Do not destroy or discard any packaging until you are certain that you have all the necessary parts for assembly.

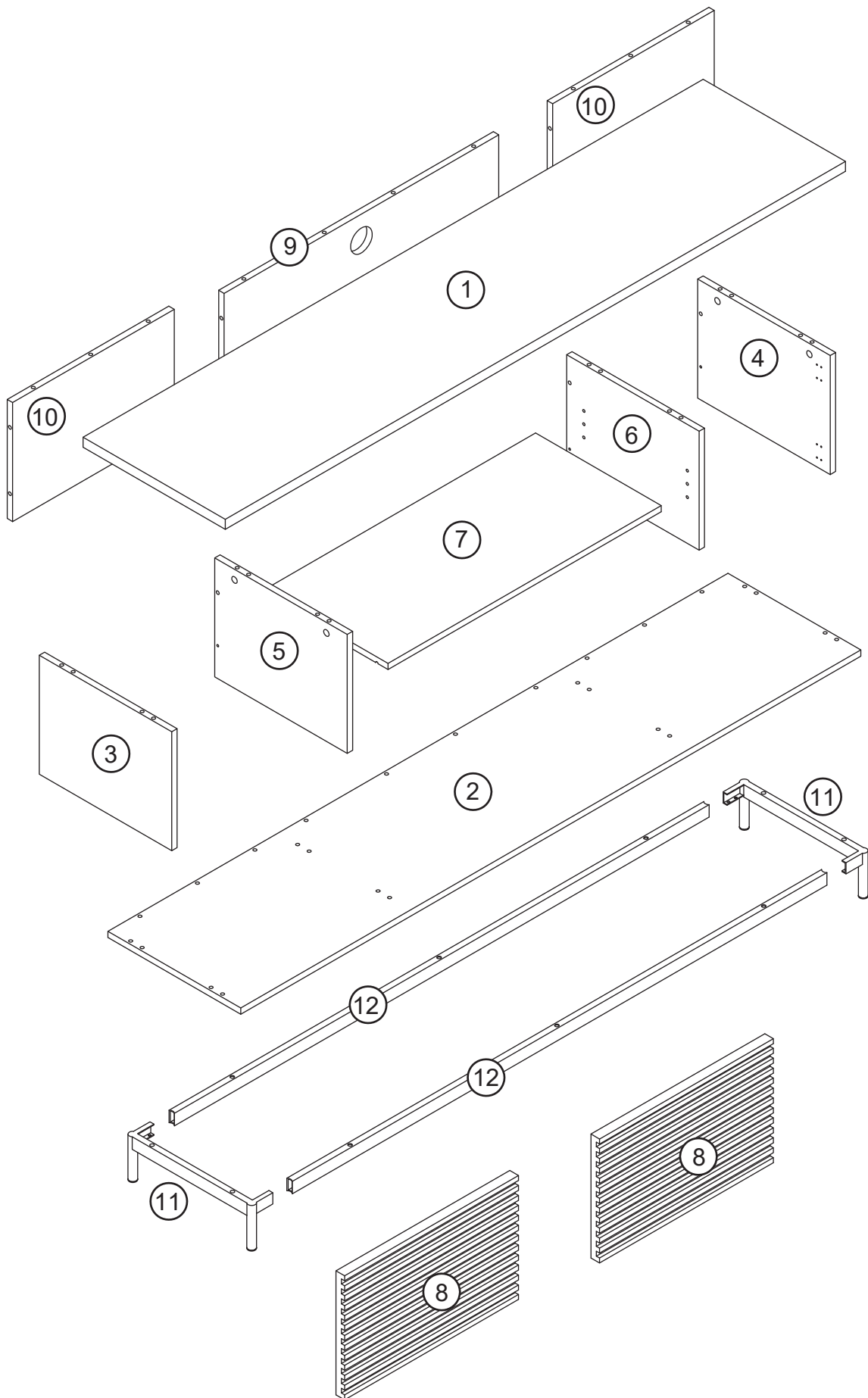
Hand tight all hardware and careful not to over tighten to avoid damaging the product.

CAUTION

There are small components used in the construction of this product. Loose items should be kept away from pets and children to avoid a choking hazard.

Keep all plastic bags and packaging film away from pets and children to avoid suffocation.

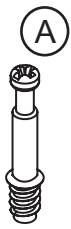
PACKAGE CONTENTS



PACKAGE CONTENTS

CODE	DESCRIPTION	QTY
1	Top Panel	1
2	Bottom Panel	1
3	Left Lateral Panel	1
4	Right Lateral Panel	1
5	Left Medial Panel	1
6	Right Medial Panel	1
7	Storage Shelf Panel	1
8	Cabinet Door	2
9	Center Back Panel	1
10	Side Back Panel	2
11	Leg	2
12	Connecting Tube	2

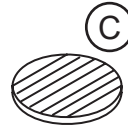
PACKAGE CONTENTS



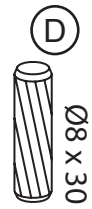
20x + 2x



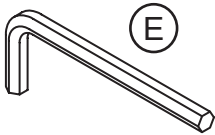
20x + 2x



20x + 2x



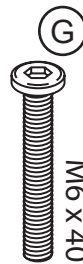
30x + 3x
Ø8 x 30



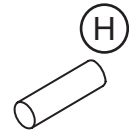
1x



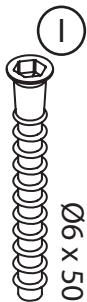
M6 x 12
13x + 1x



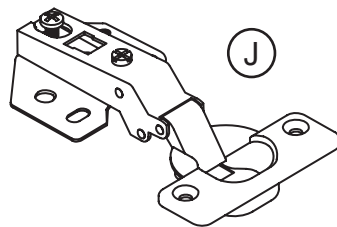
M6 x 40
10x + 1x



4x



Ø6 x 50
14x + 1x



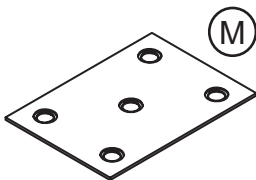
4x



Ø4 x 14
24x + 2x



1x



1x



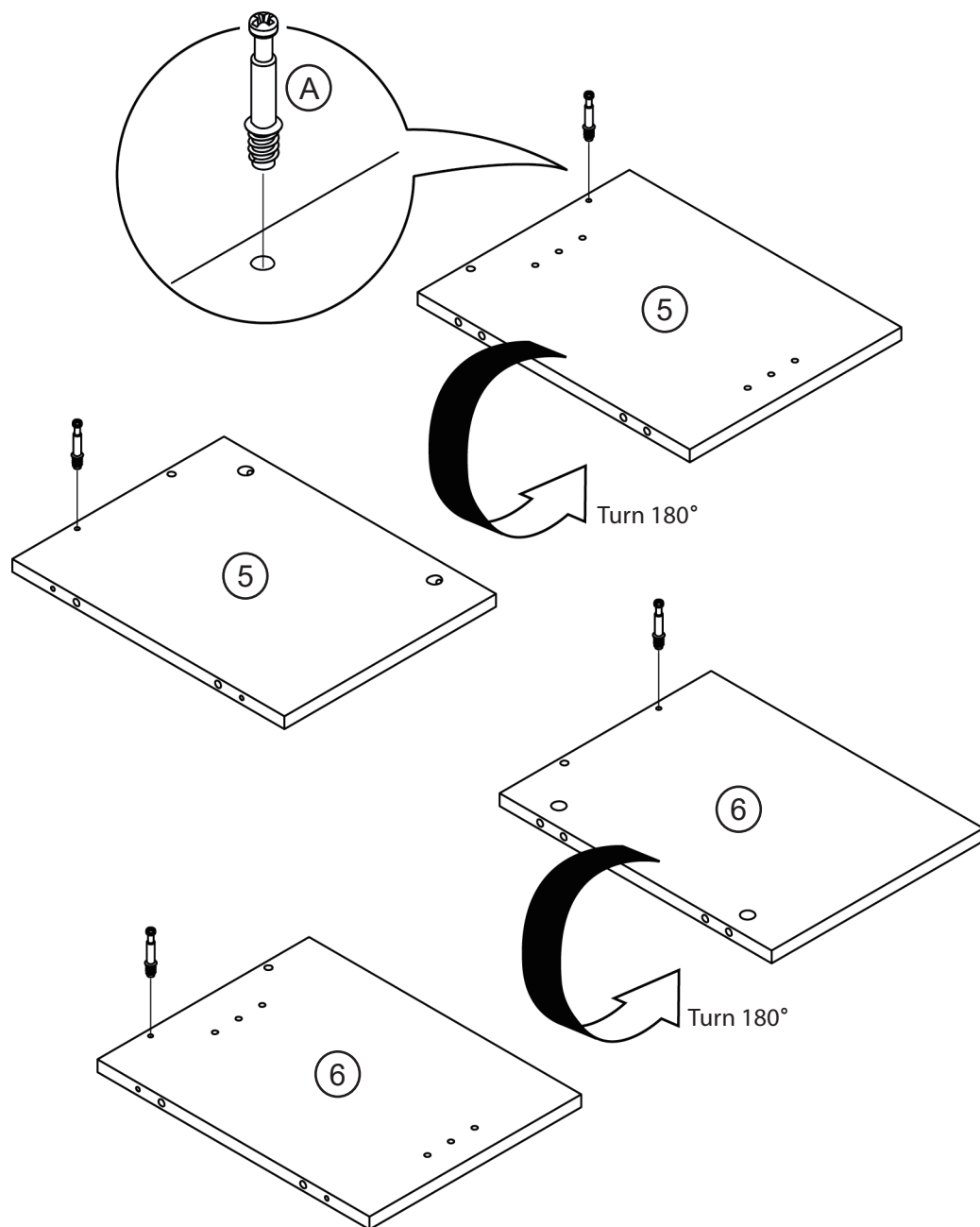
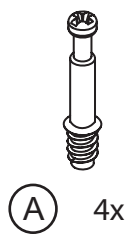
Install all hardware perpendicular to the opening.

Required tools for assembly (Not included)



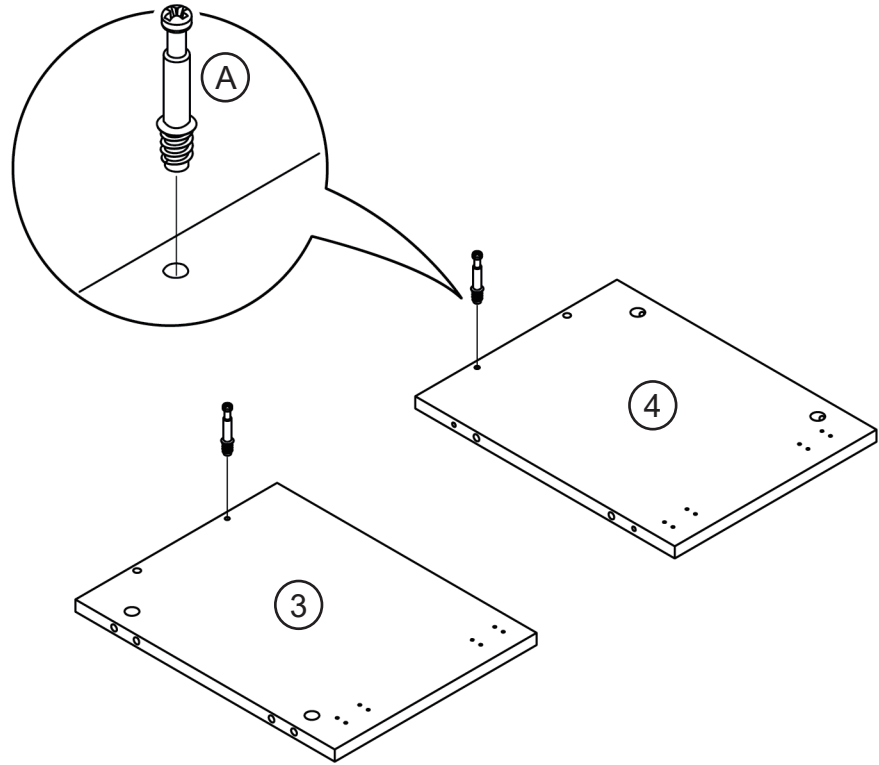
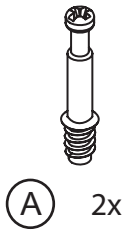
1

Attach cam bolts to both sides of the medial panels (5, 6).



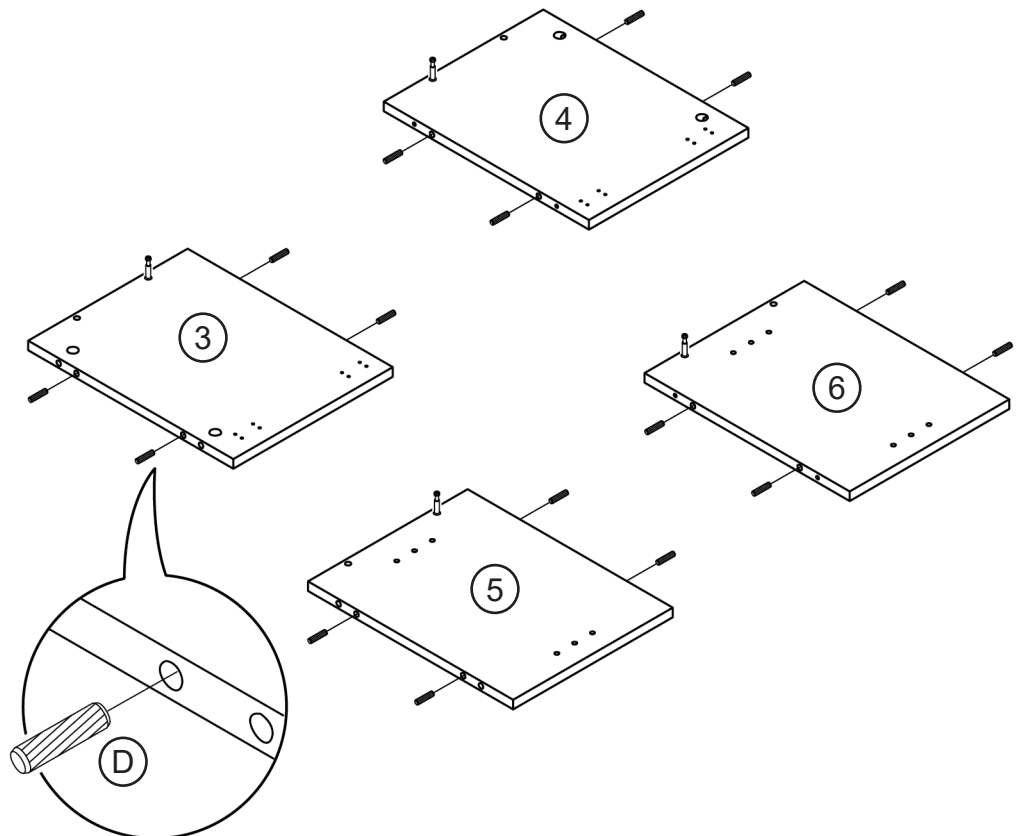
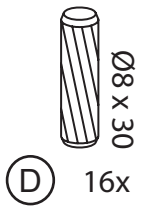
2

Attach cam bolts to the lateral panels (3, 4).



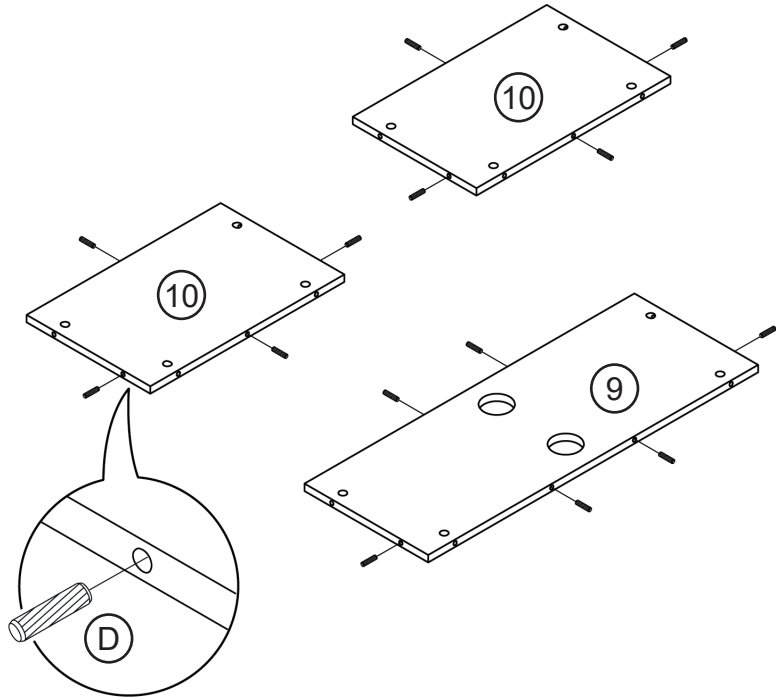
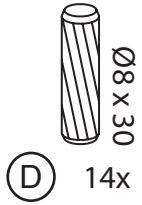
3

Insert wood dowels to the lateral panels (3, 4) and medial panels (5, 6).



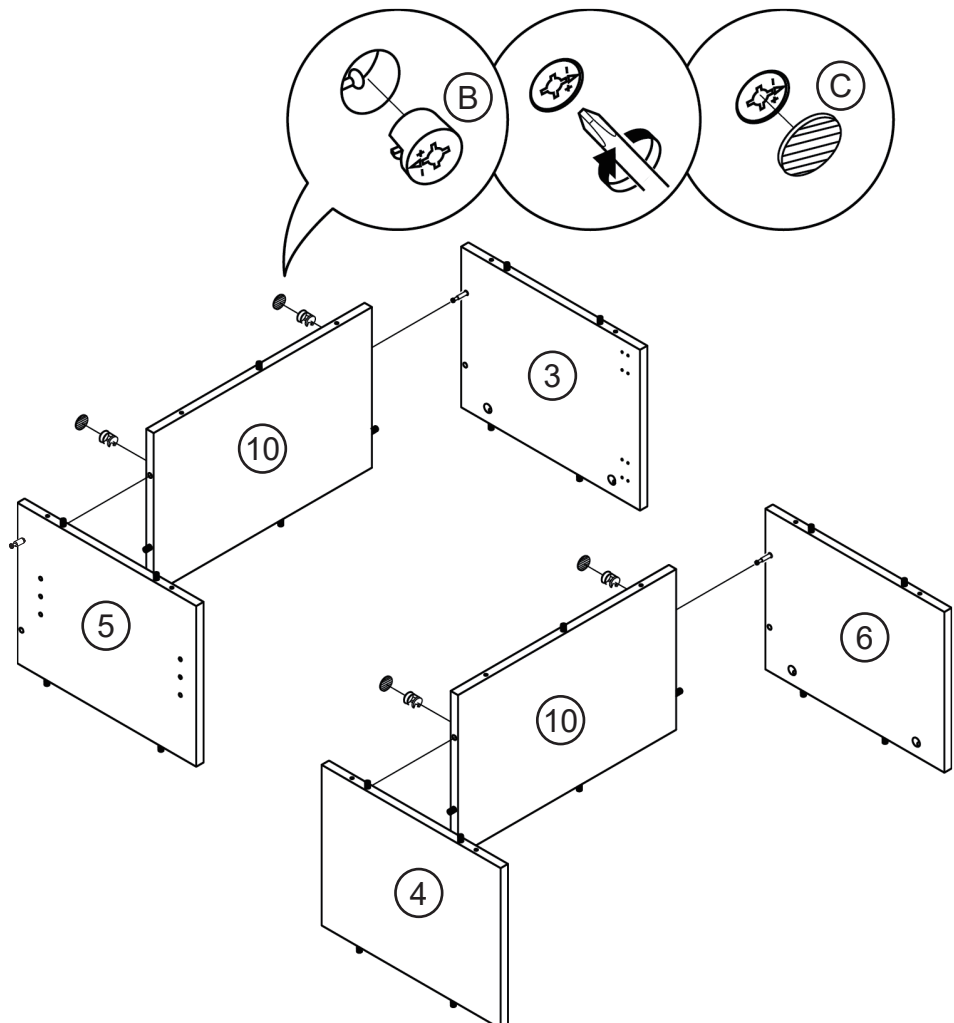
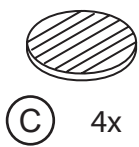
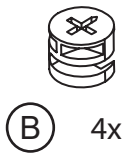
4

Insert wood dowels to the back panels (9, 10).



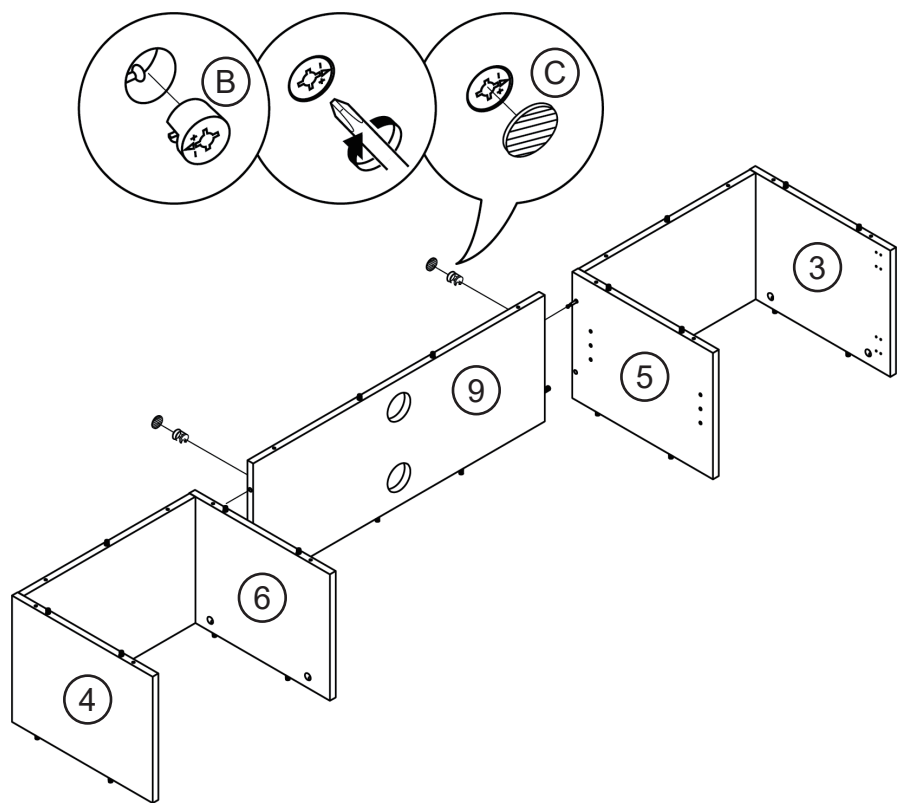
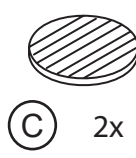
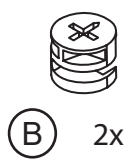
5

Assemble a side back panel (10) between the left lateral panel (3) and left medial panel (5), then repeat the same for the right lateral panel (6) and right medial panel (4).



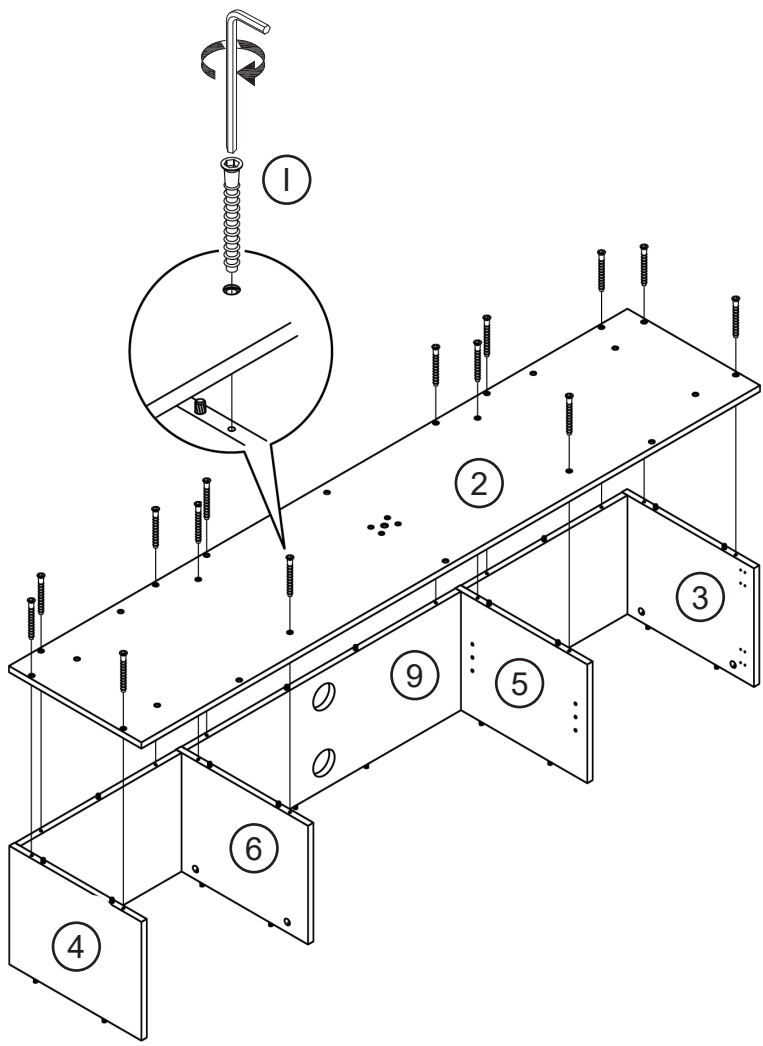
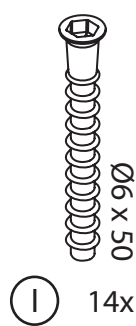
6

Assemble the center back panel (9) between the medial panels (5, 6).



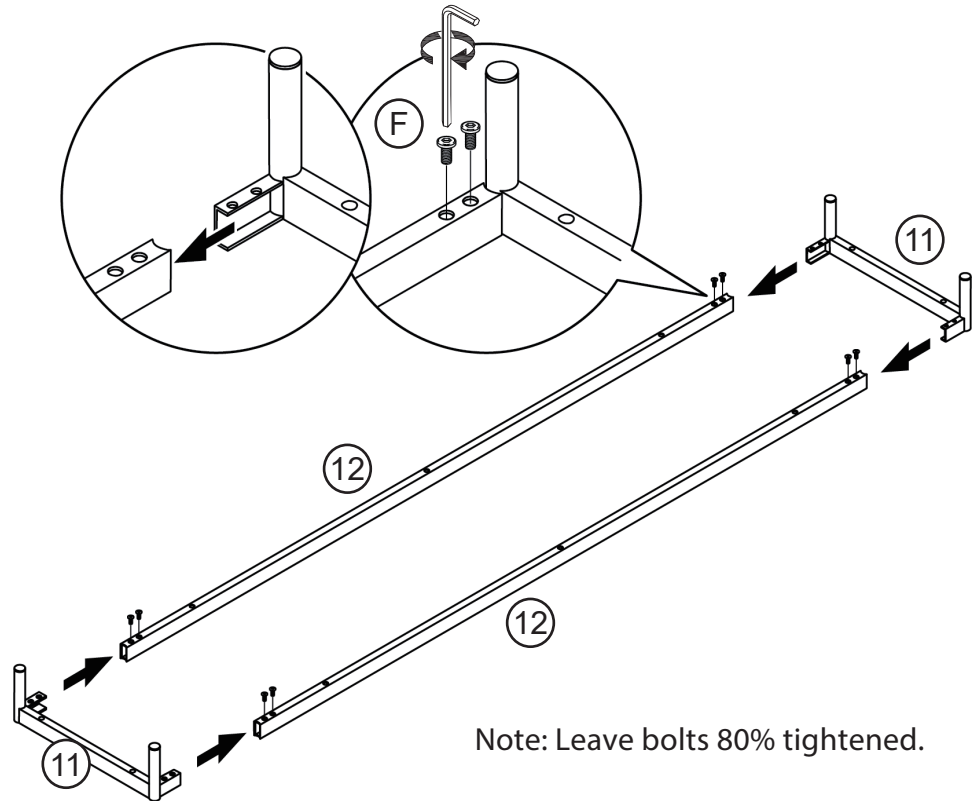
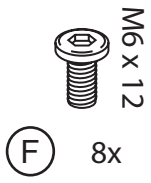
7

Assemble the bottom panel (2) to the assembly.



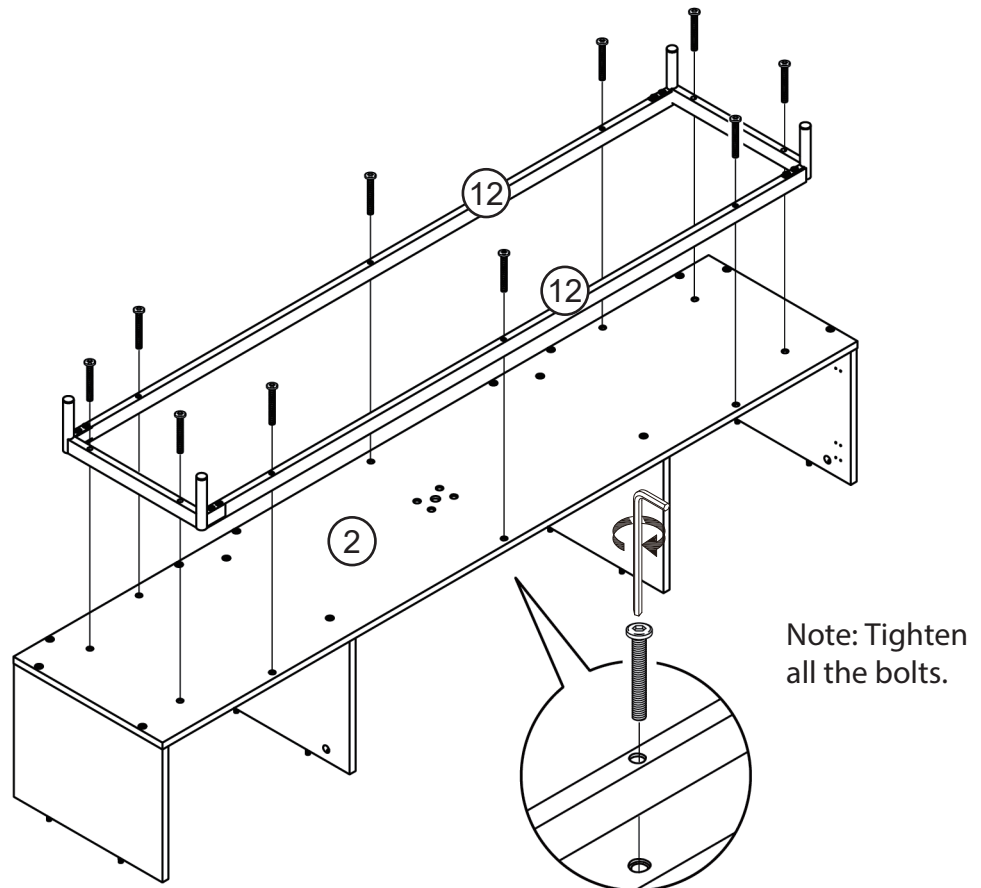
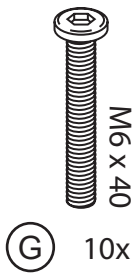
8

Insert legs (11) to the connecting tubes (12).



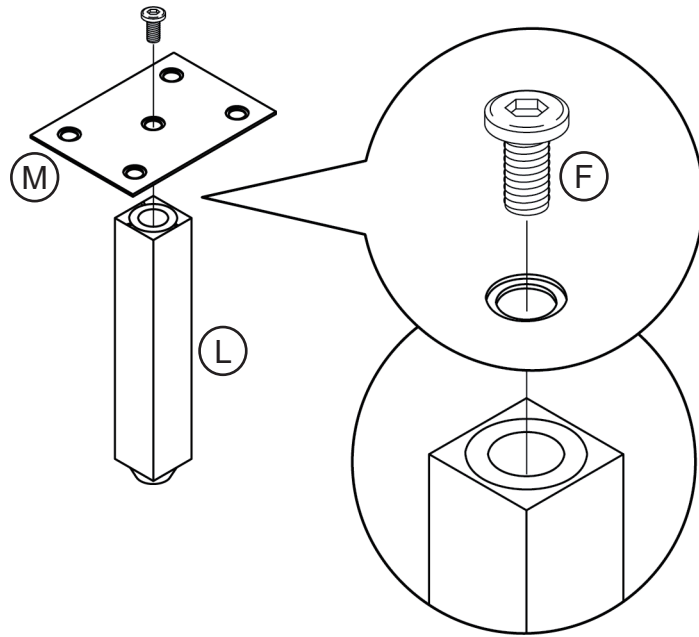
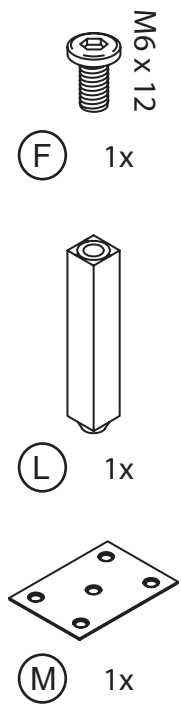
9

Attach the leg base to the bottom panel.



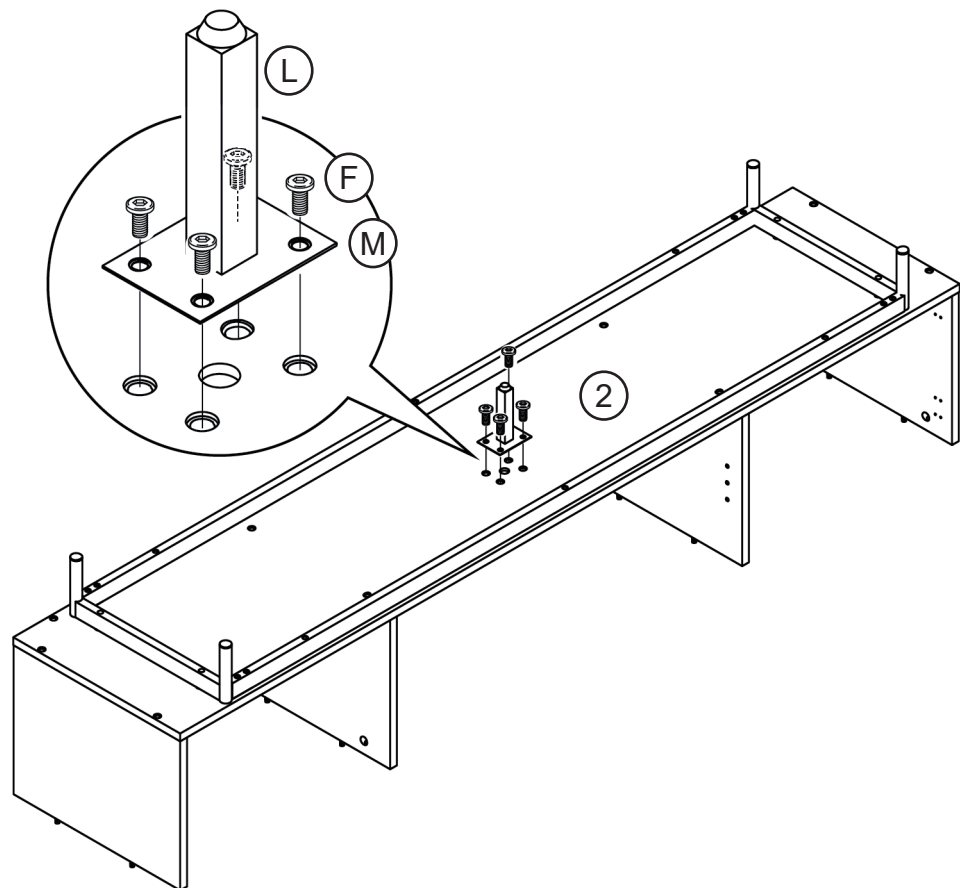
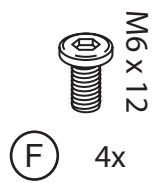
10

Assemble the support leg (L) to the mounting plate (M).



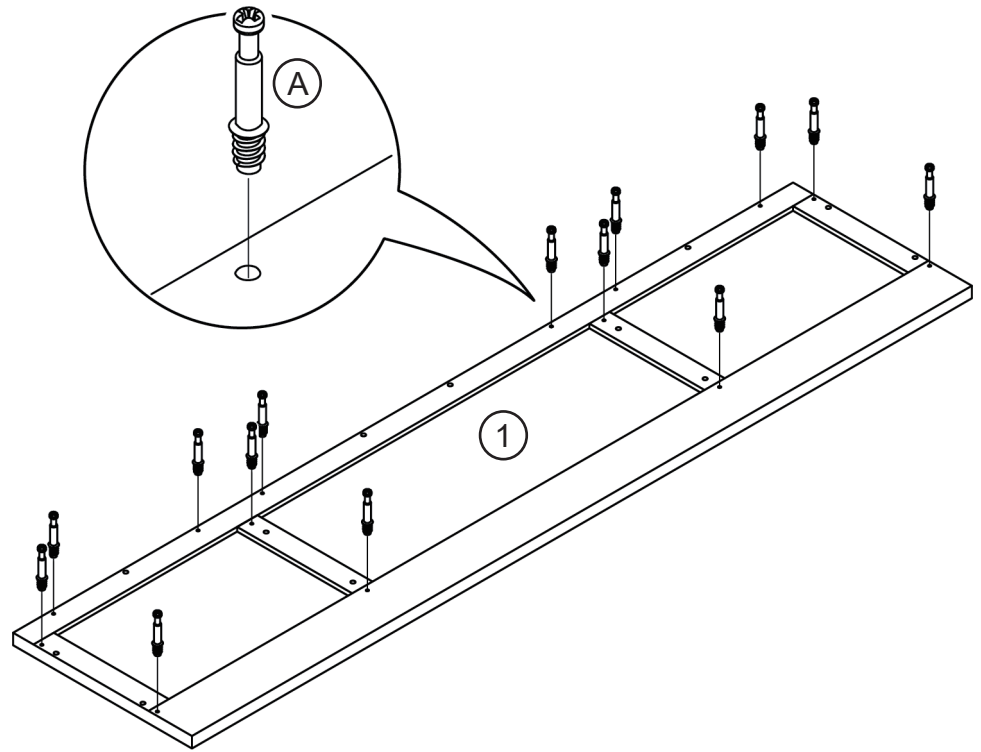
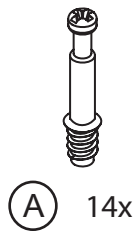
11

Attach the support leg assembly to the bottom panel (2).



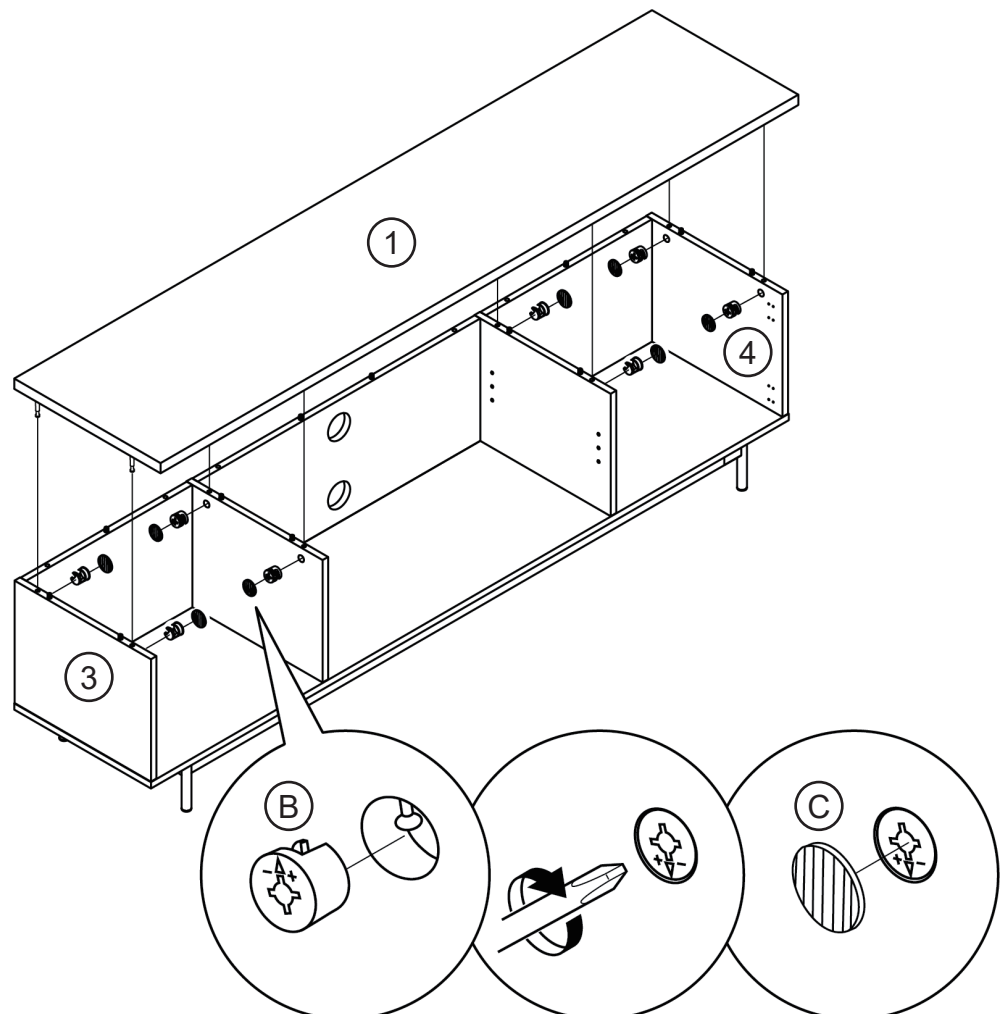
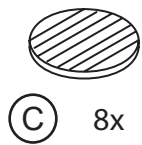
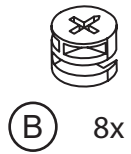
12

Attach cam bolts to the underside of the top panel (1).



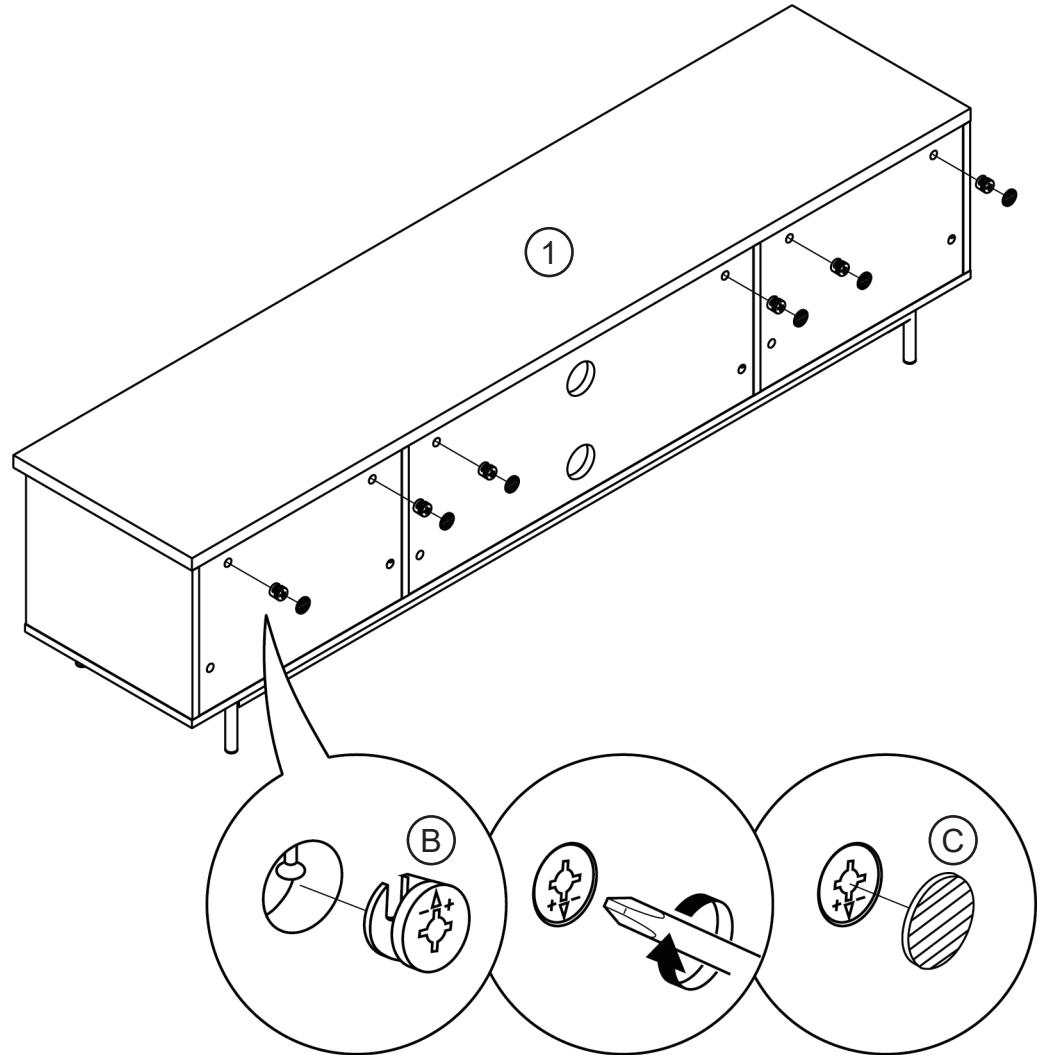
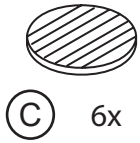
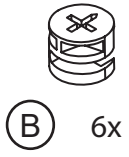
13

Assemble the top panel (1) on top of the TV stand assembly.



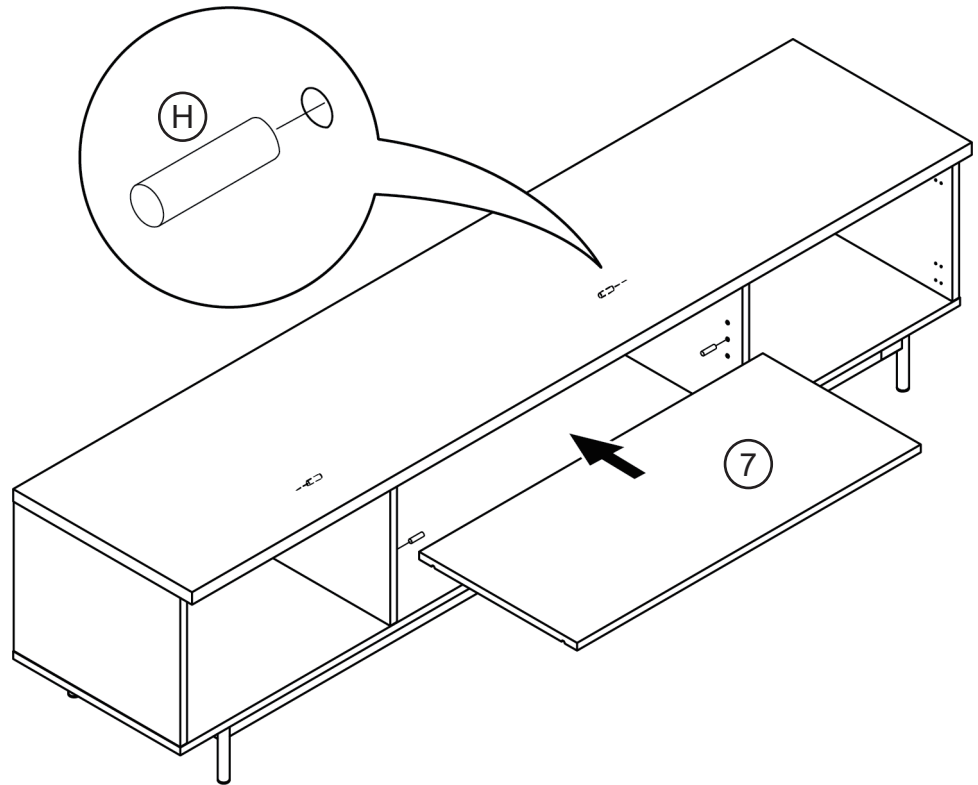
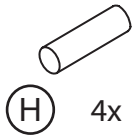
14

Secure the top panel (1) to the back panels.



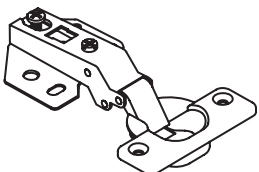
15

Insert shelf pegs into the TV stand and put the storage shelf panel (7) on top.



16

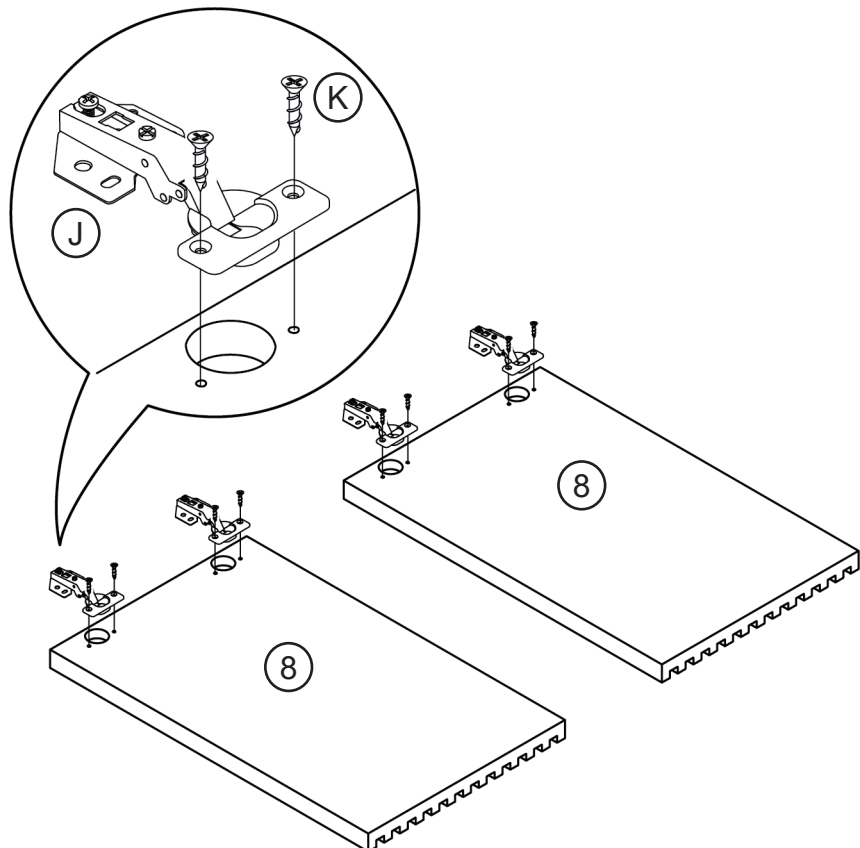
Attach door hinges to the cabinet doors (8).



(J) 4x



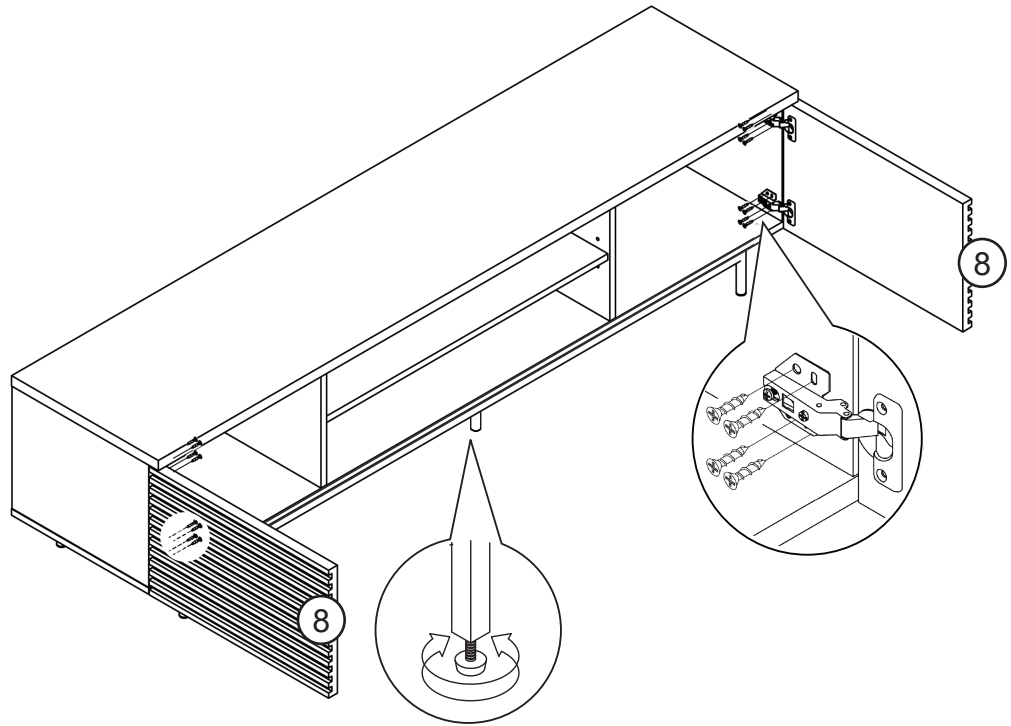
(K) 8x



17

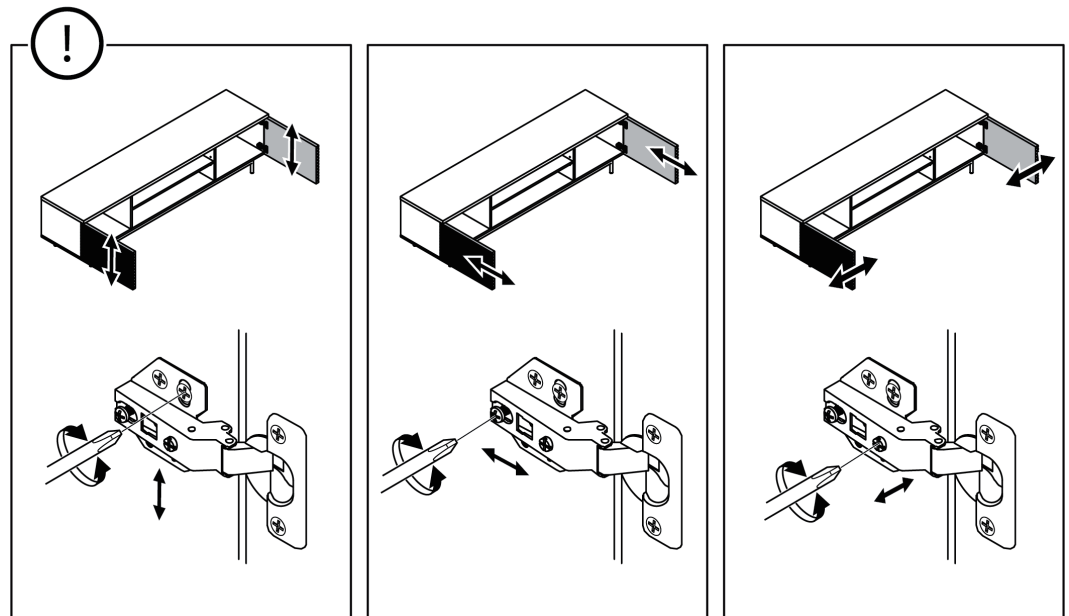
Attach cabinet doors (8) to the TV stand.

Ø4 x 14
(K) 16x



Adjust table foot pads.
Keeps stable even on uneven floors.

When the clearance of the door is uneven, Adjust the cabinet door according to the figure. If you still have trouble while adjusting the door, please contact us.

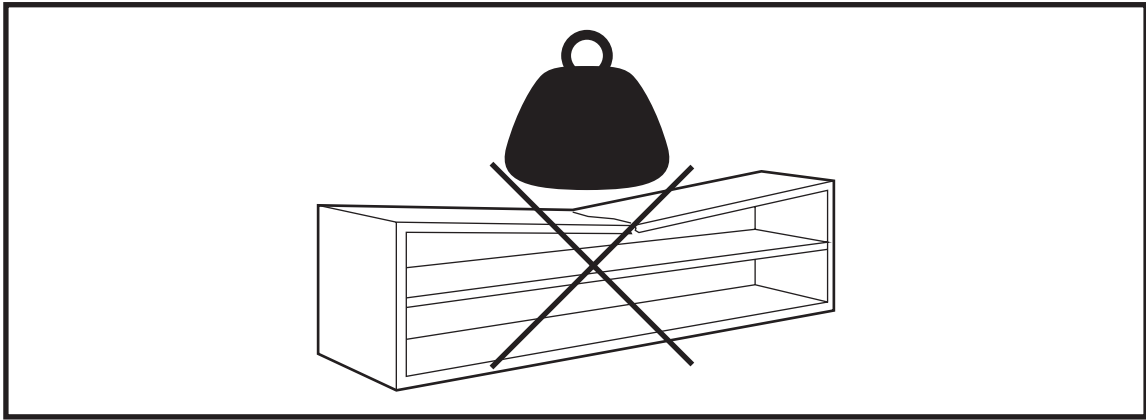


Up and down
adjustment by
loosening the screws
on the mounting
plate.

In and out
adjustment by
loosening the screws
on the hinge arm.

Side to side
adjustment using
the front adjustment
screw on the hinge.

YOU'RE FINISHED!



Warning

Only place items on top of the product if they meet the recommended size and weight limits.

Climbing on, stepping on, or placing overweighted objects on the product may cause property damage and/or injuries.

Items placed onto this product must be resting on a support surface without hanging over the edges.

WARNING

For use with televisions weighing 70lbs (31.8kg) or less. Use with heavier televisions may result in instability, causing tip over resulting in death or serious injury.

Death or serious injury may occur when children climb on audio and/or video equipment furniture. A remote control or toys placed on the furnishing may encourage a child to climb on the furnishing and as a result the furnishing may tip over on to the child.

Relocating audio and/or video equipment to furniture not specifically designed to support audio and/or video equipment may result in death or serious injury due to the furnishing collapsing or over turning onto a child.

NOTICE

The recommended maximum width of the television is 75 inches. Do not exceed the maximum load capacity.

This product is designed for flat panel TVs only.

FURNITURE CARE AND MAINTENANCE

Medium - Density Fiberboard

Thank you for your purchase. We want your item to last as long as possible. To ensure the product gives you years of longevity, please follow the recommendations in this care and maintenance guide.



MAINTENANCE

- Tighten all bolts and screws again within the first 2 weeks of assembly.
- Check the tightness of all bolts every 2 months and tighten them if necessary.



CLEANING

- Clean the surface of the MDF (medium - density fiberboard) with a lightly dampened cloth.
- A small amount of mild soap can be used if necessary.
- Dry the surface immediately after cleaning.

⚠ DO NOT use bleach or alcohol to clean the surface.

⚠ DO NOT apply wood treatment on parts made with MDF.

MDF will swell and distort when exposed to water damage. Make sure to dry the furniture immediately after cleaning.

⚠ WARNING

The manufacturer and seller are not responsible for any and all liability relating to personal injury, property damage or losses, whether direct, indirect, or incidental, resulting from the incorrect attachment, improper use, inadequate maintenance, unapproved modification or neglect of this product.