










Assembly Instructions

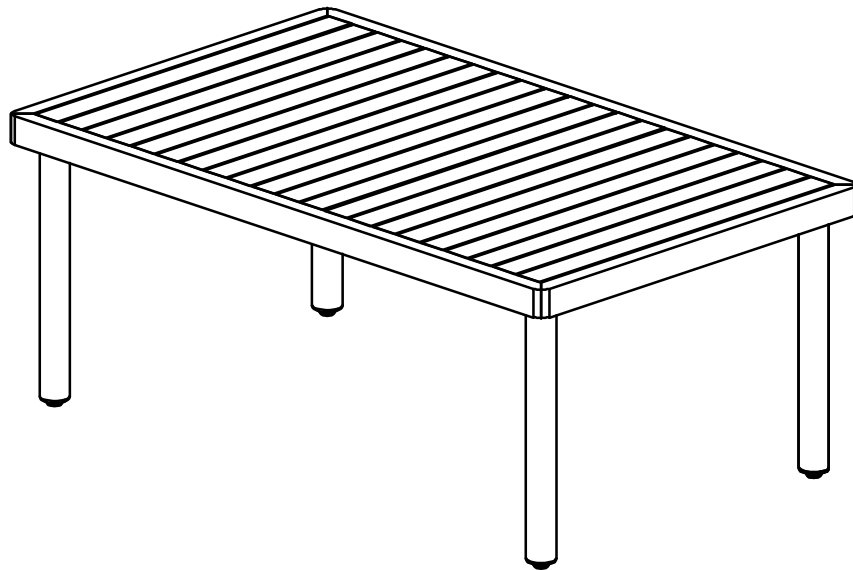
CAUTION: You must read this before you proceed.

Care & Maintenance

- ⊘  • Not for commercial use. For residential use only.
 - ⊘  • Do not put hot items directly on furniture surface.
 - ⊘  • Do not clean furniture with harsh cleansers or polish.
 - ✓  • To obtain the longest lifespan of your outdoor products, minimizing exposure to direct sunlight is recommended.
 - ⊘  • Children should not climb or jump on the furniture.
 - ⊘  • Do not write on furniture without a padded barrier to protect the surface.
 - ✓  • To obtain the longest lifespan of your outdoor products, avoid extended and lengthy exposure to rain, snow, and direct sunshine. Whenever possible cover the product and /or place under patio or awnings.
 - ⊘  • Stains may be removed with mild soap solution and damp cloth.
-
- ✓  • Dust and pick-up spills using a clean, non-colored, lint- free cloth.

Please look in Leg for hardware packs

TABLE

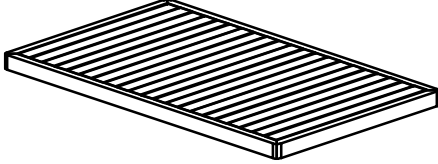



CAUTION : This Table is NOT a TOY.


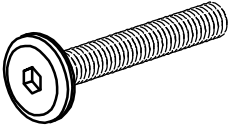

Keep your child / children at bay in the process of assembly.

For turning the Table and to prevent damage to the Table, 02 persons may be needed to execute this action.

Part List

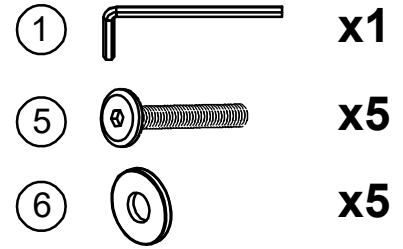
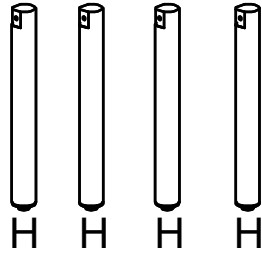
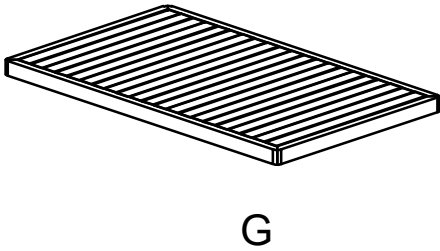
Label	Picture	Description	Qty
G		Top table	1
H		Leg	4

Hardware

Label	Picture	Description	Qty
①		Allen Wrench	1
⑤		Bolt (M6*50mm)	5
⑥		Spring Washer (M6.5*2mm)	5

Assembly Preparation

Before Beginning Assembly:



• Read instruction, cover to cover-



• Have 2 adults on hand for assembly-



• Do not assembly on flooring or carpet-



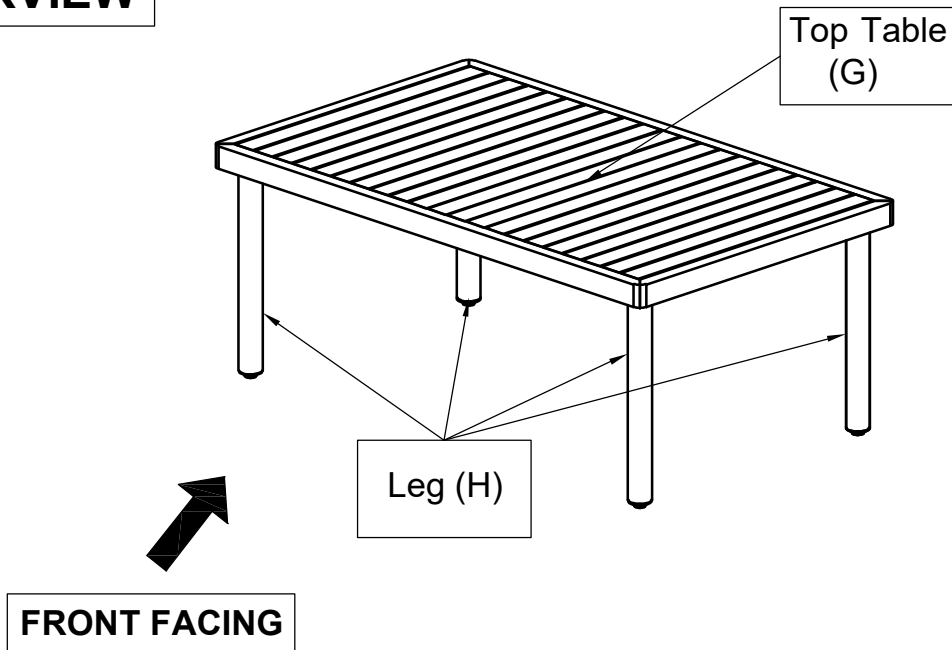
• Assemble on a clean non- marring surface (packing foam)-



• Save all packaging until finished-

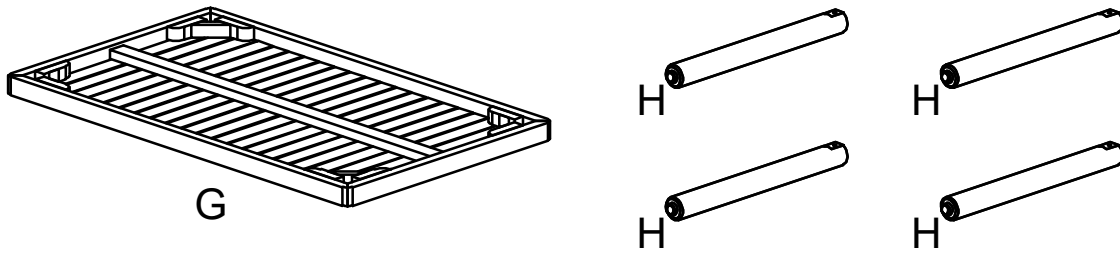
Assembly Steps

OVERVIEW



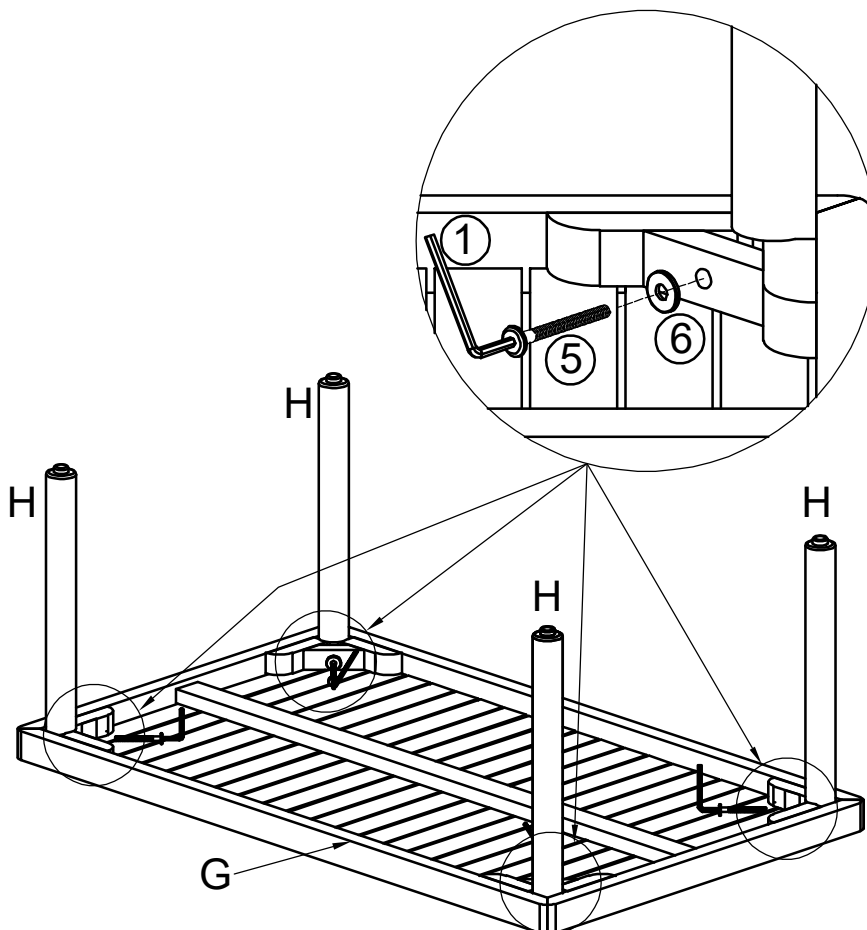
This Table has multiple parts and may require up to some 30 minutes to assemble. To give you an overview of the Table, the above picture is to help you put the various parts into perspective. Please read through the instructions here below to familiarise the parts and steps before assembly.

Step 1



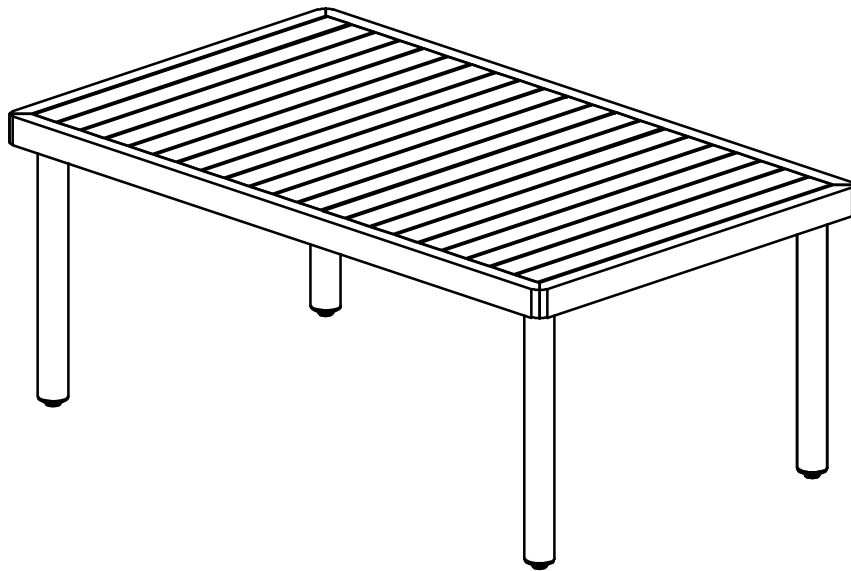
Unpack and place all parts on a clean, non-marring surface.

Step 2



Attach Leg (H) to Top Table (G) by using 4 Bolts (⑤), 4 Washers (⑥) with Allen Wrench (①) as picture shown above.
Repeat the same process to attach remain Legs.
Do not fully tighten the Bolts.

Step 3



Inspect it and make sure all parts are adequately connected.
When tightening the Bolts, tighten sequentially.
Your Table is ready to use.
This Table can only be used on a flat, level surface.