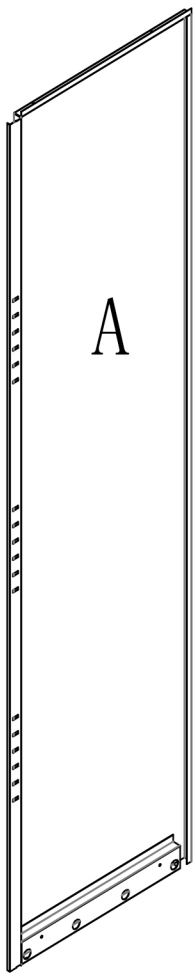
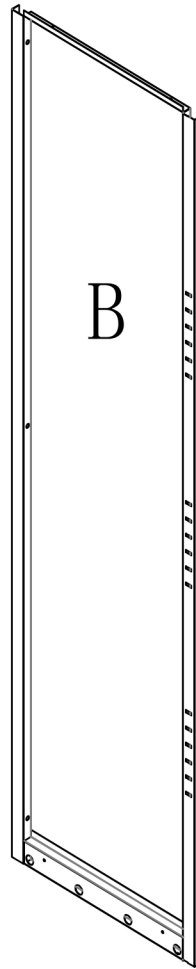


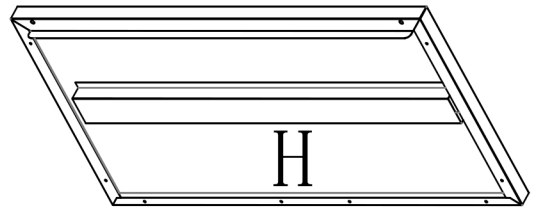
DS



A



B



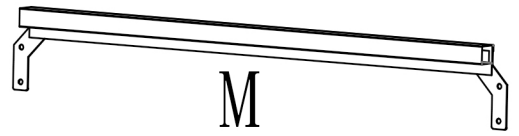
H



E



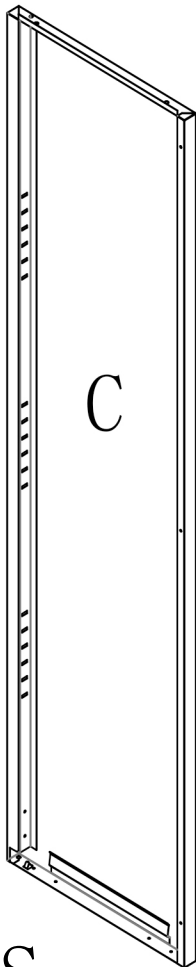
F



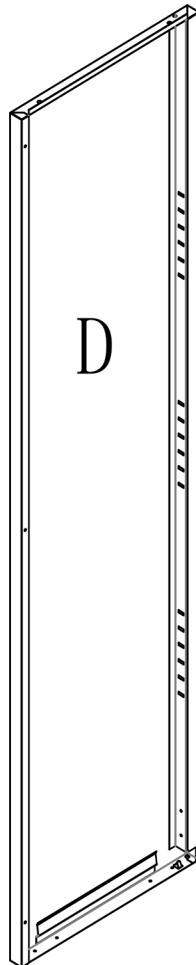
M



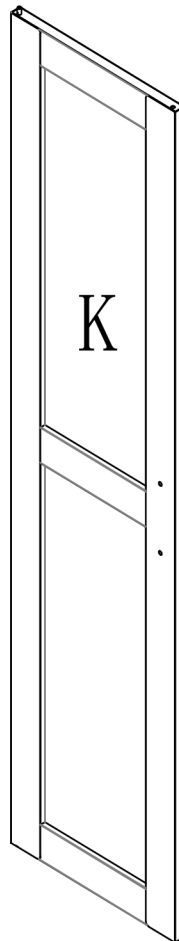
I*3



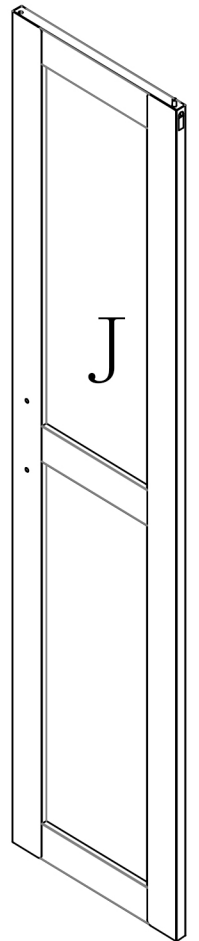
C



D

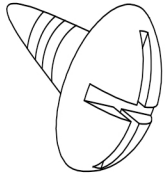


K

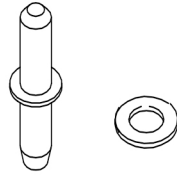


J

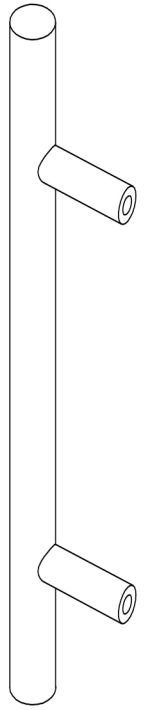
DS



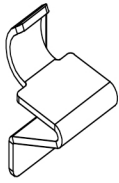
N*47+2



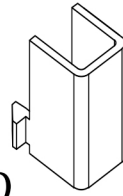
S*2



T*2

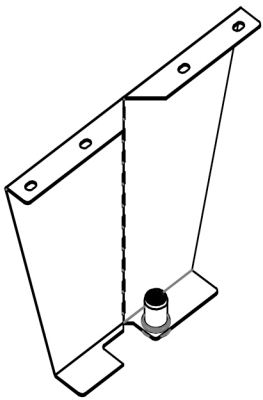
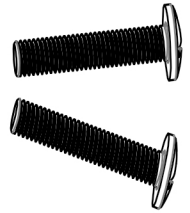


O*12



V*12

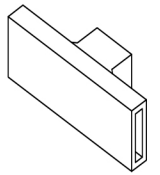
U*4



G



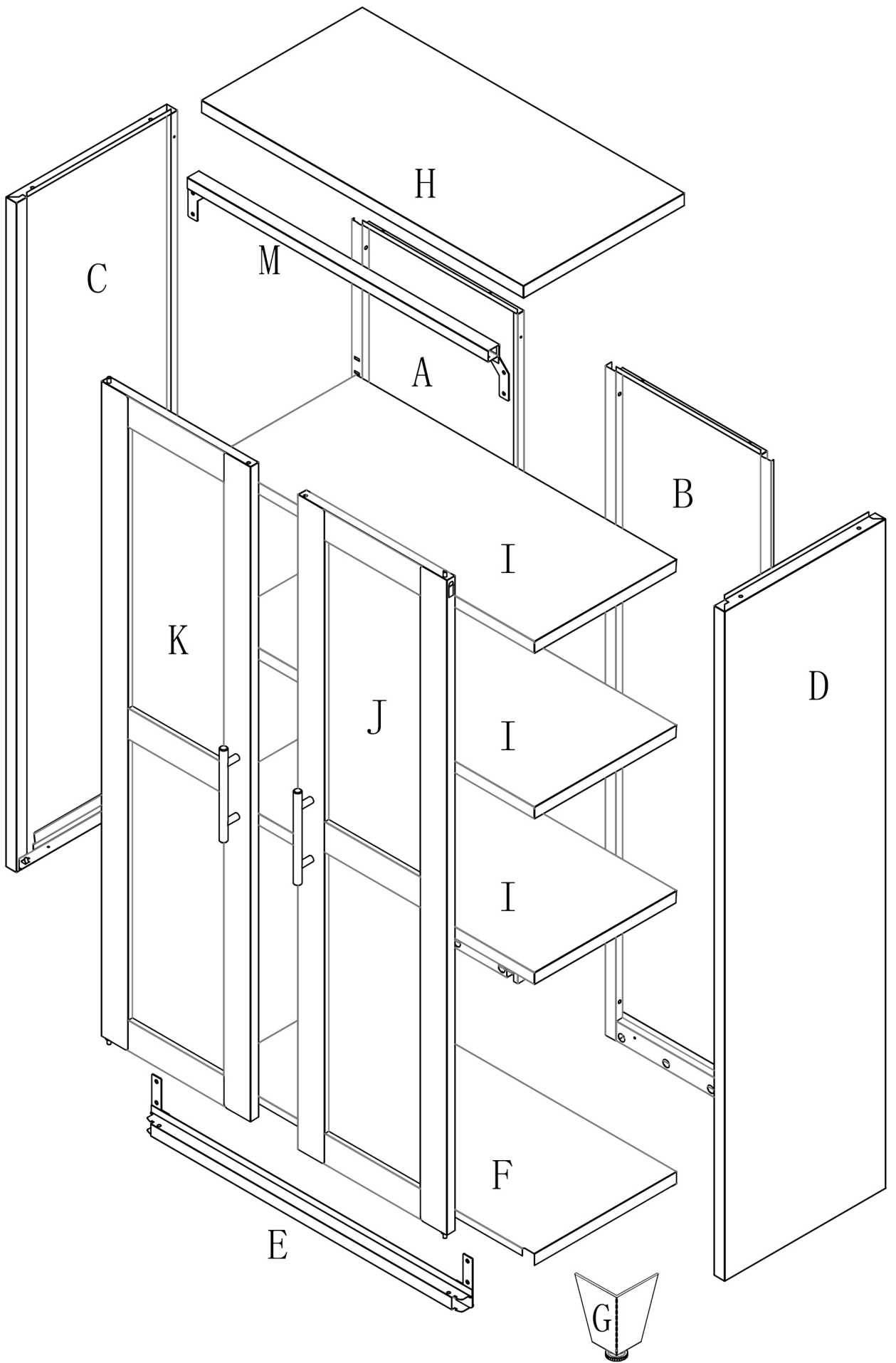
Q*4



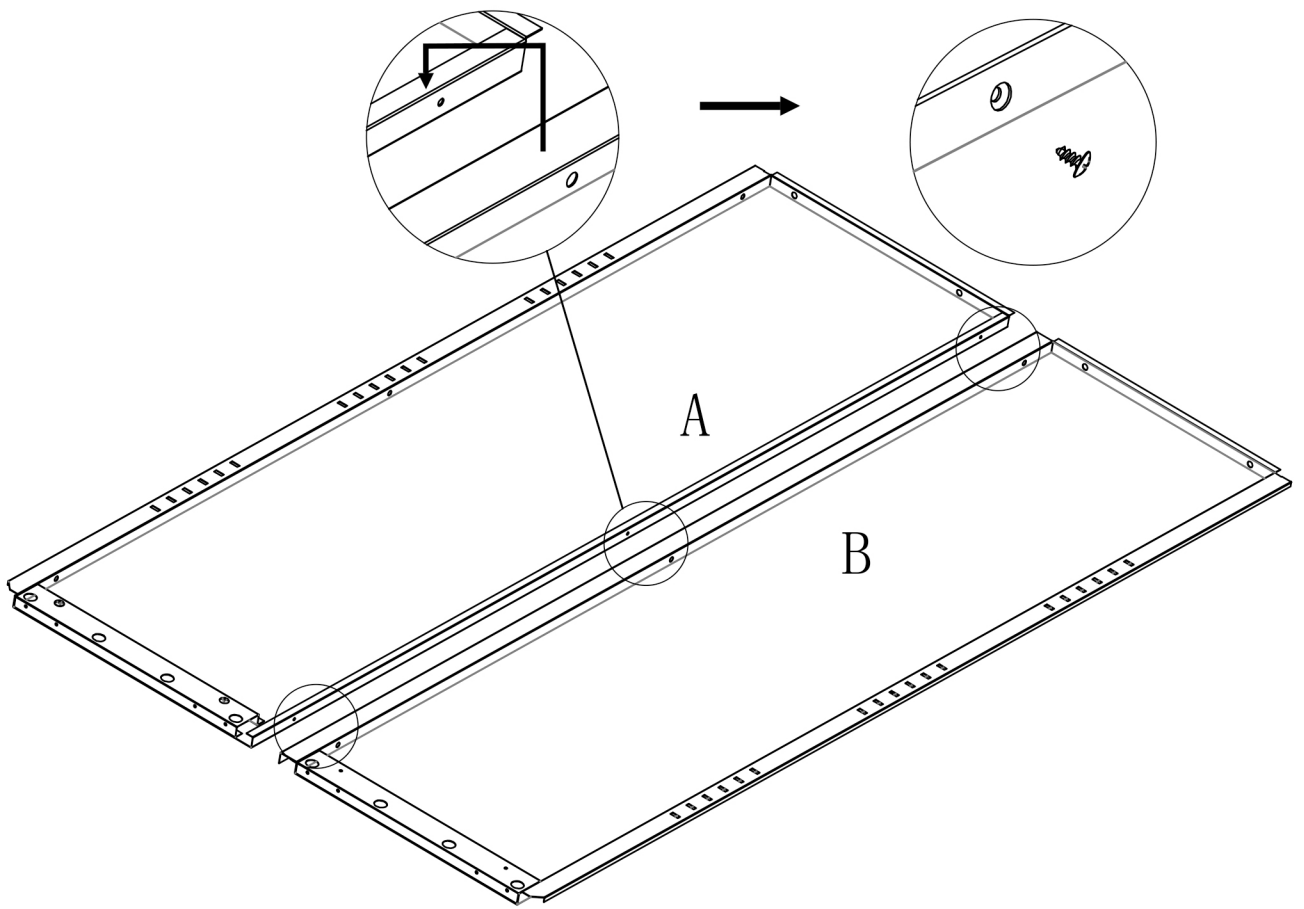
W*2



DS



1

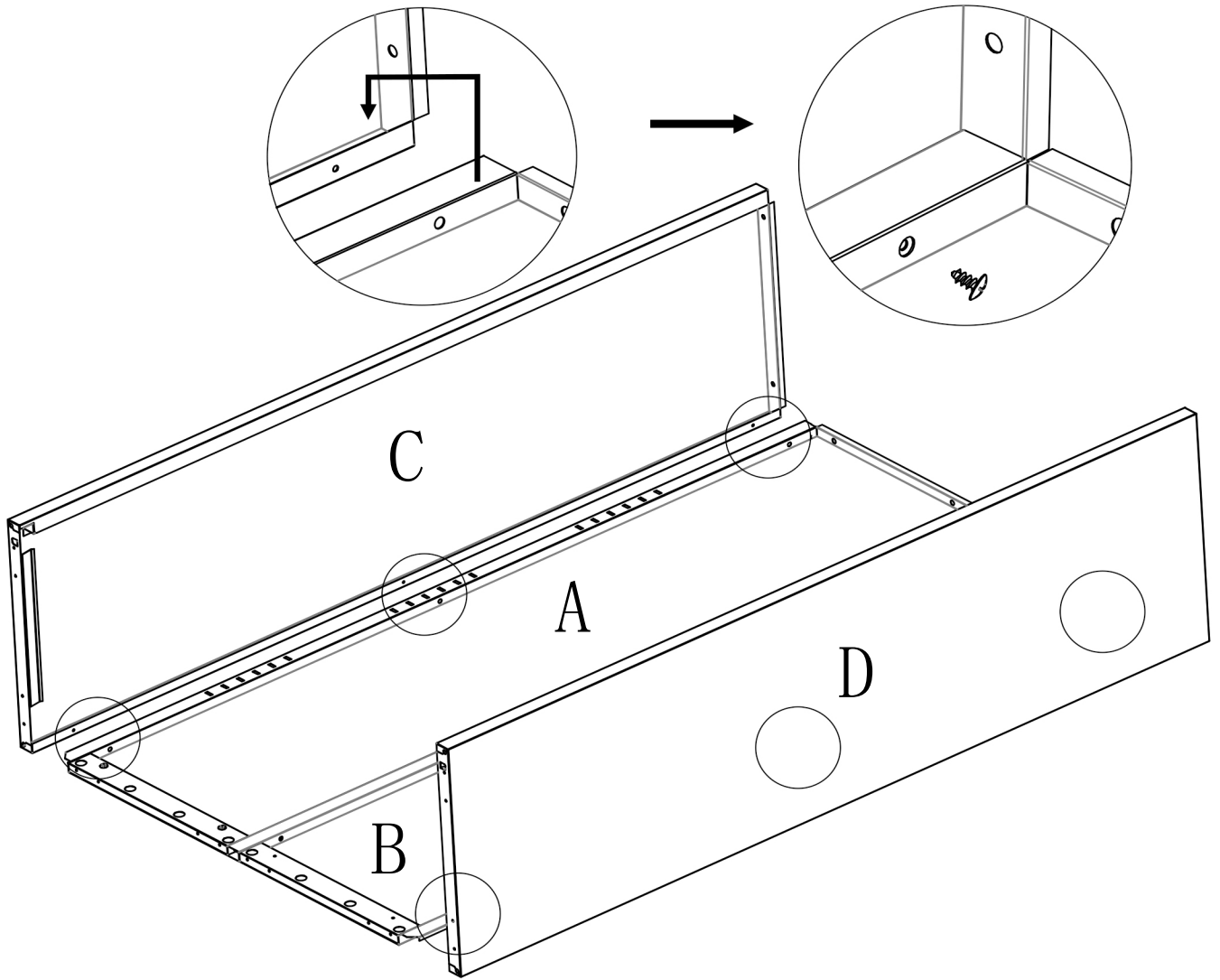


DS

N*3



2

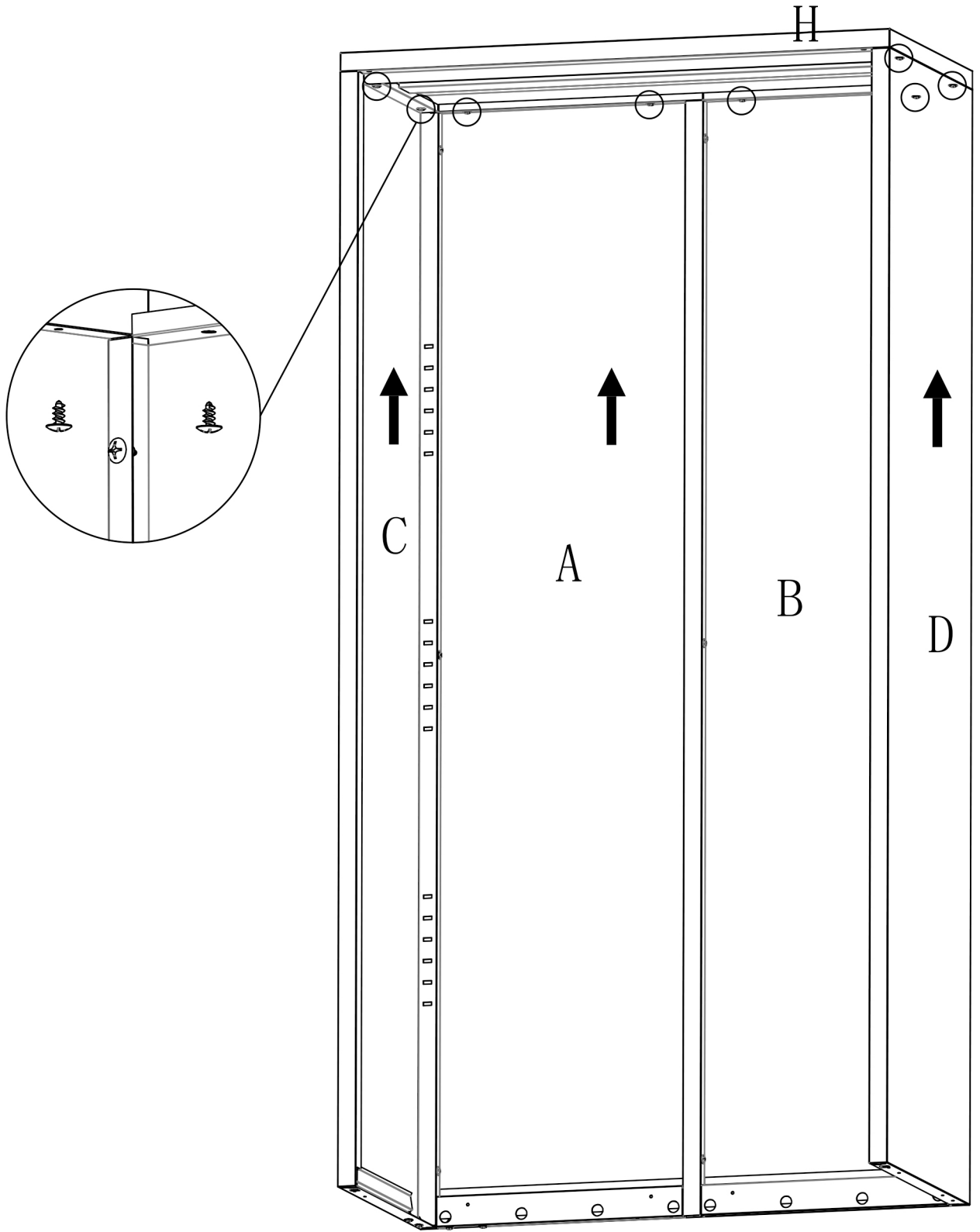


DS

N*6



3

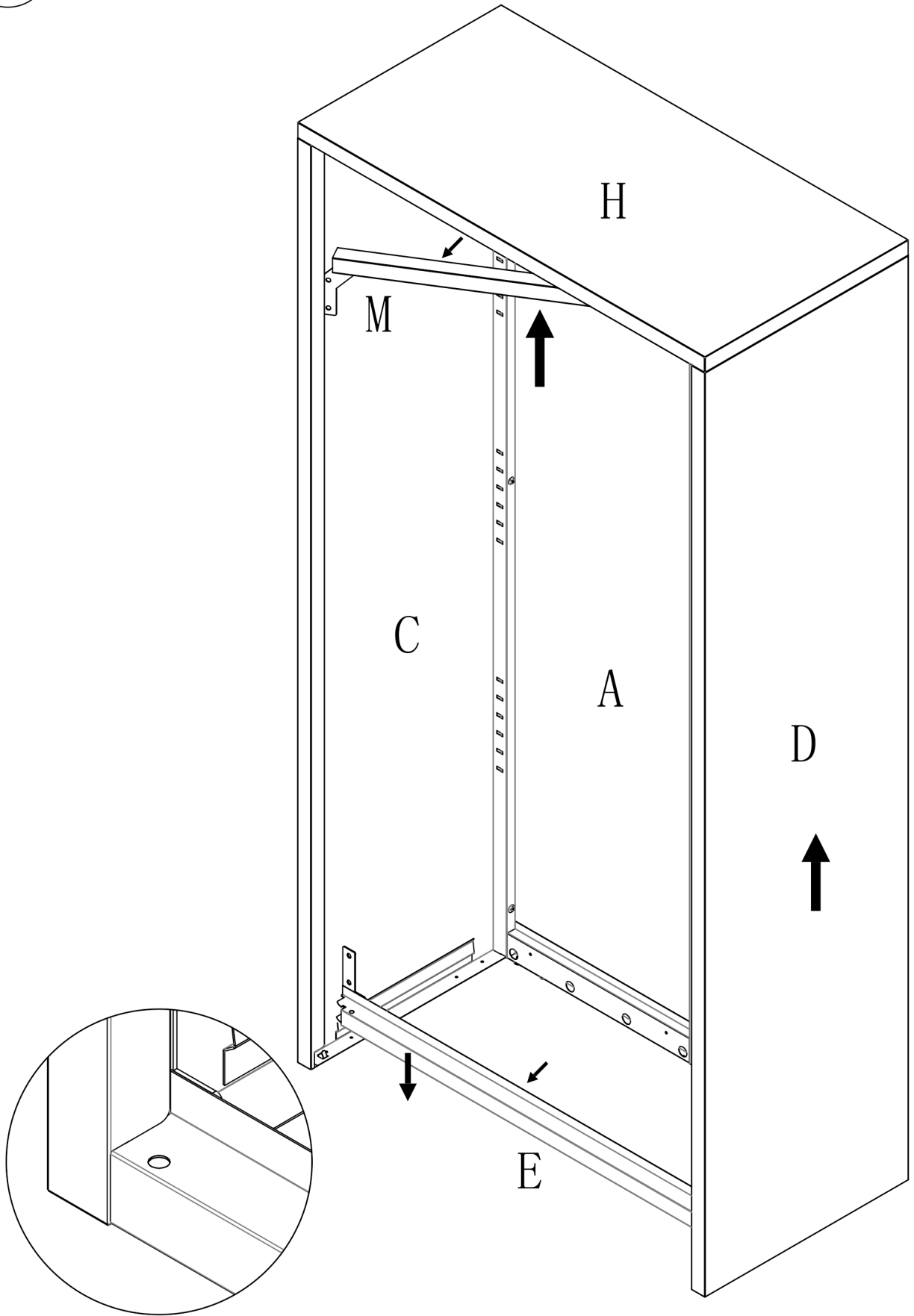


DS

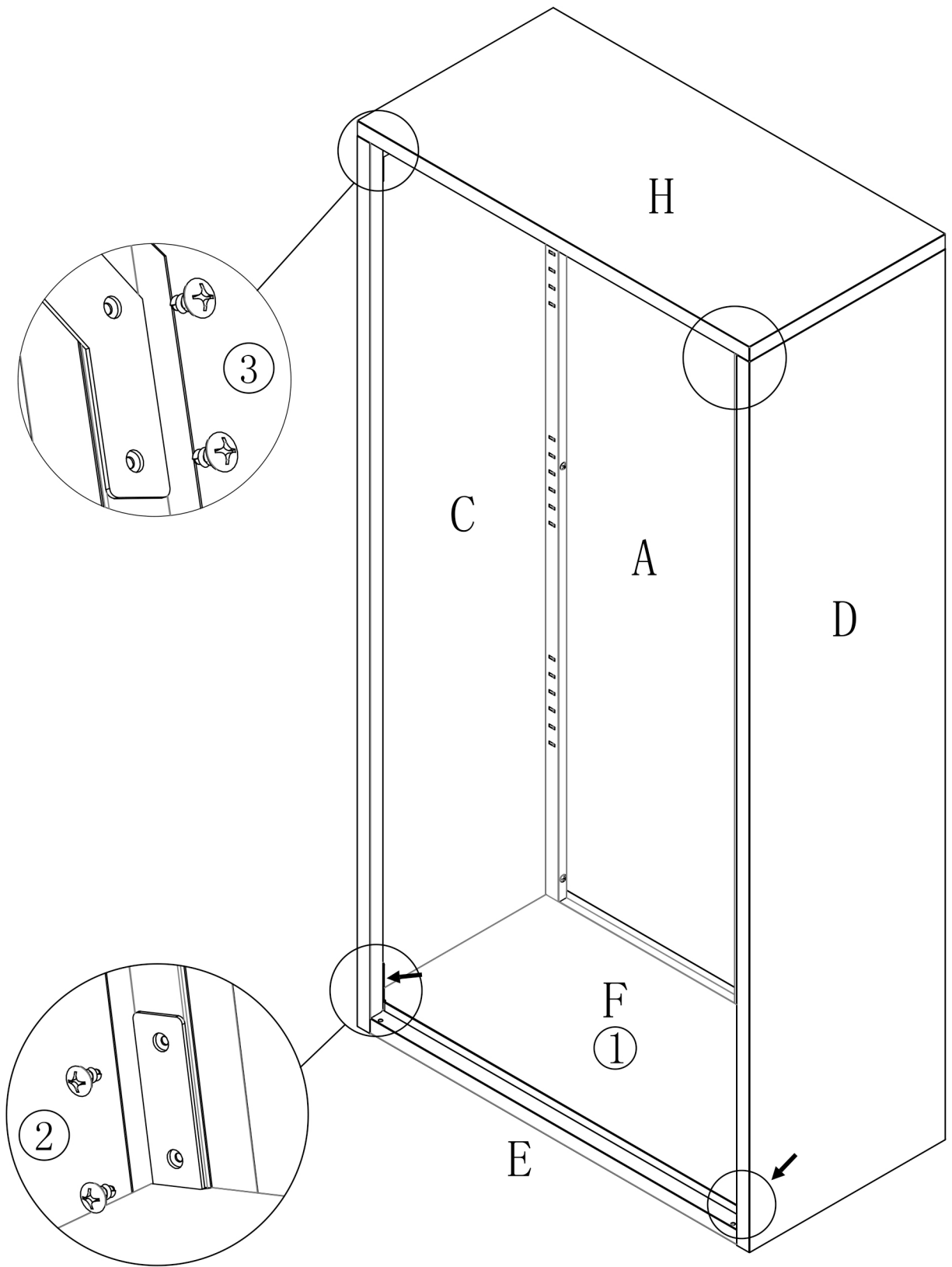
N*8



4



5

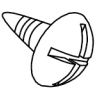
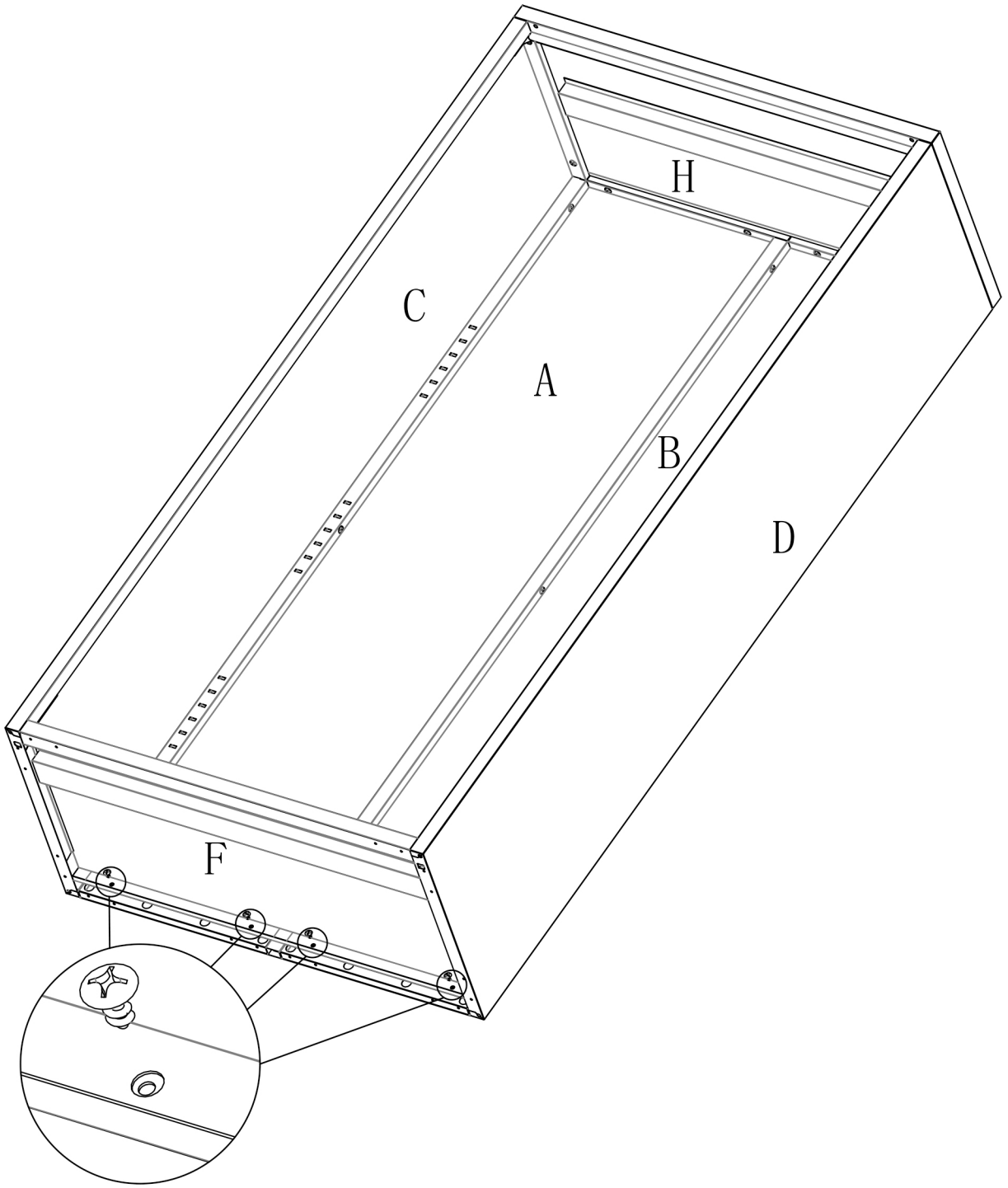


DS

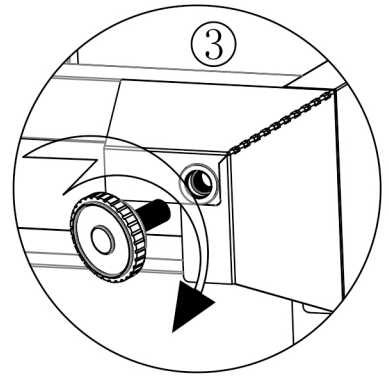
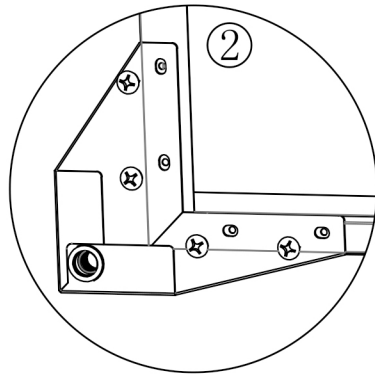
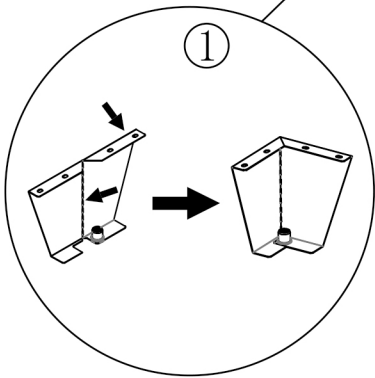
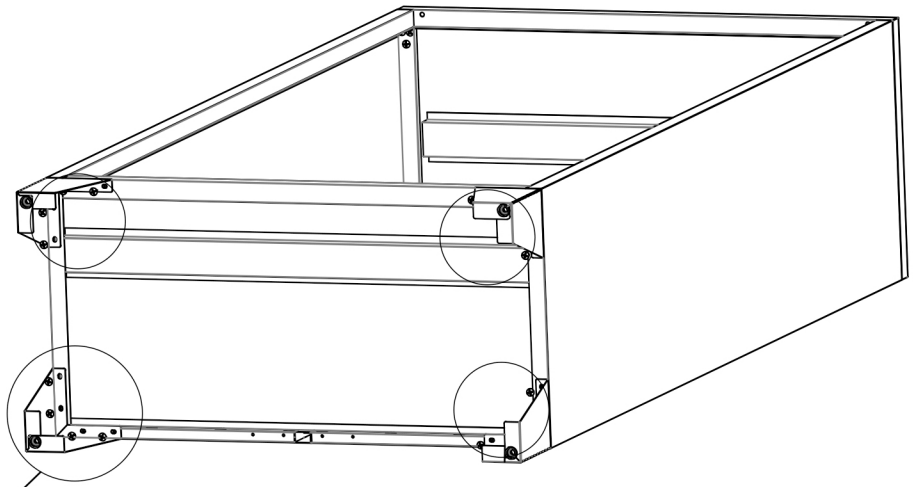
L*8



6

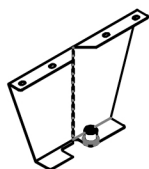


7



DS

G*4



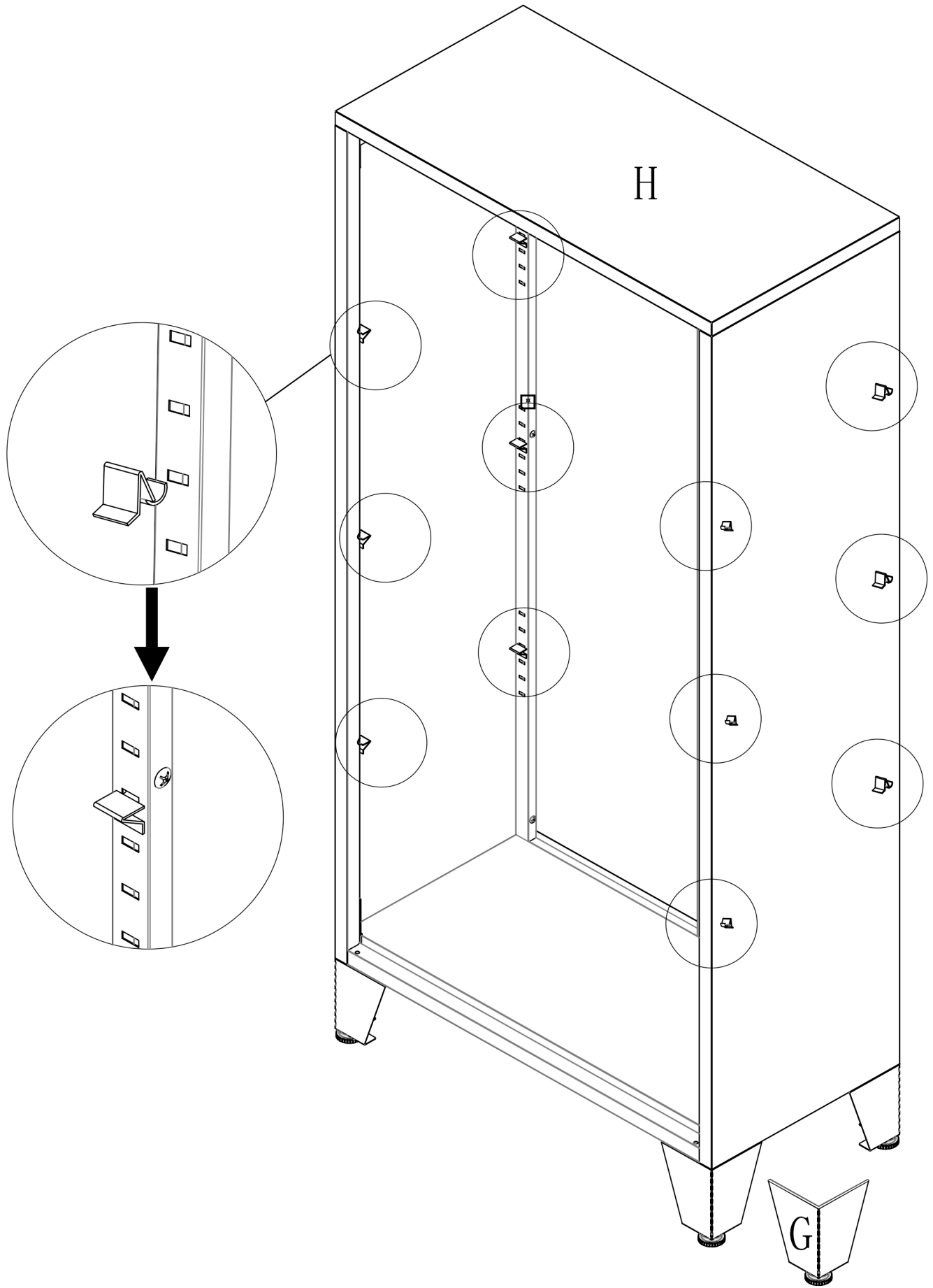
G*4



N*16



8

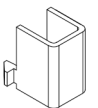
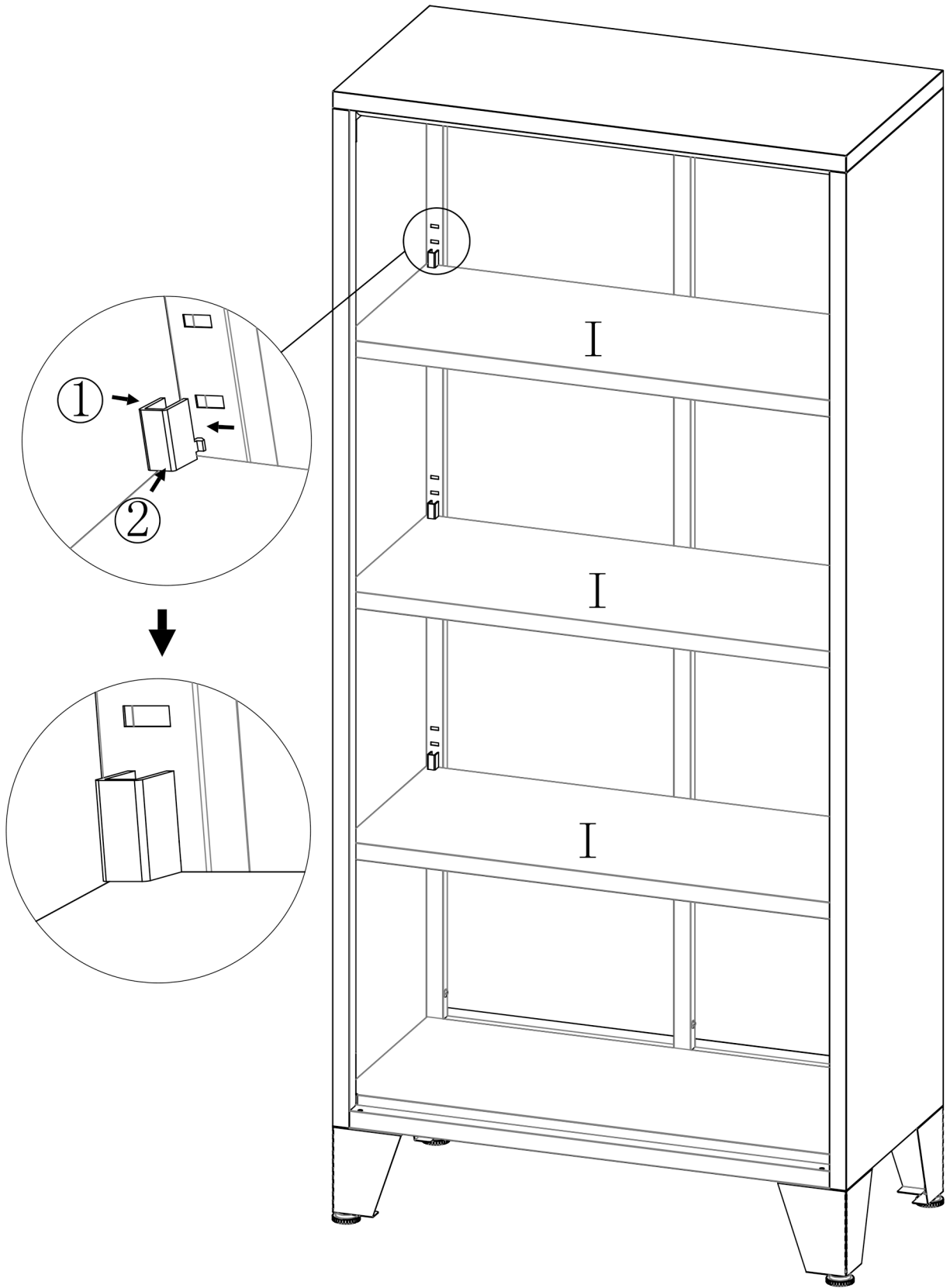


DS

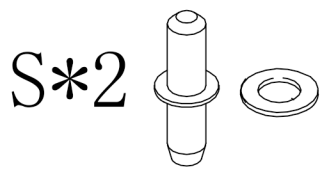
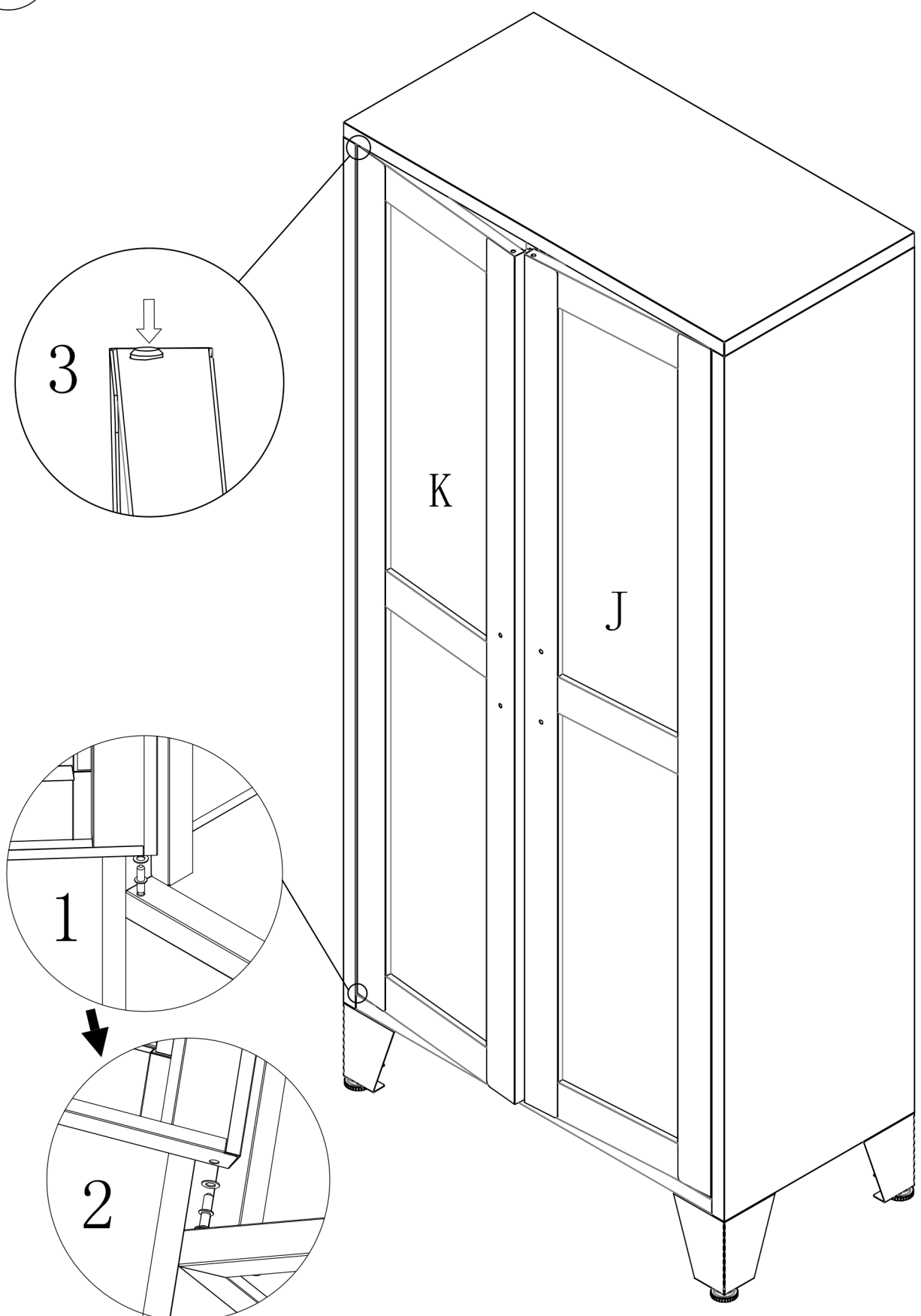
0*12



9

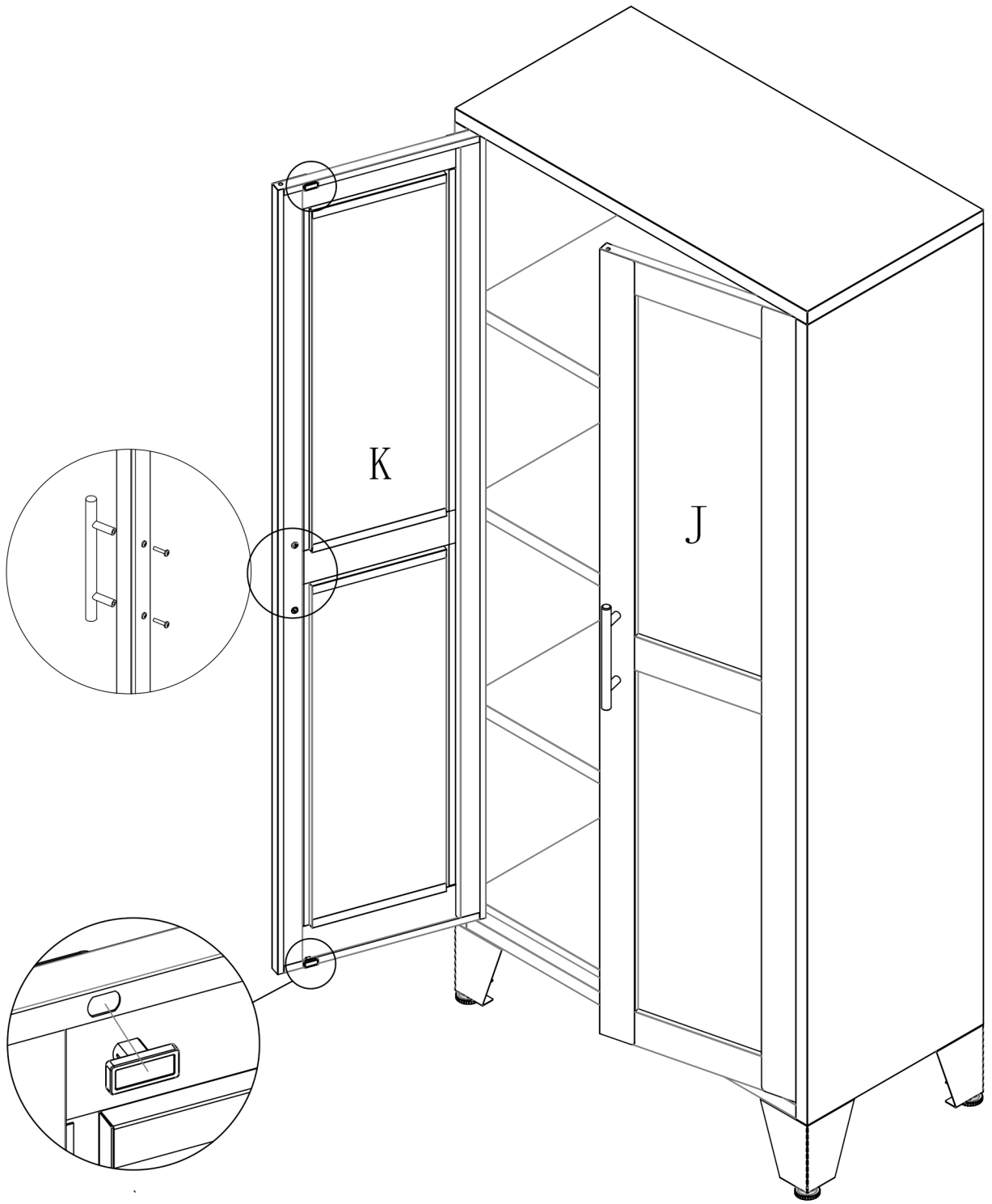


10



DS

11



K

J

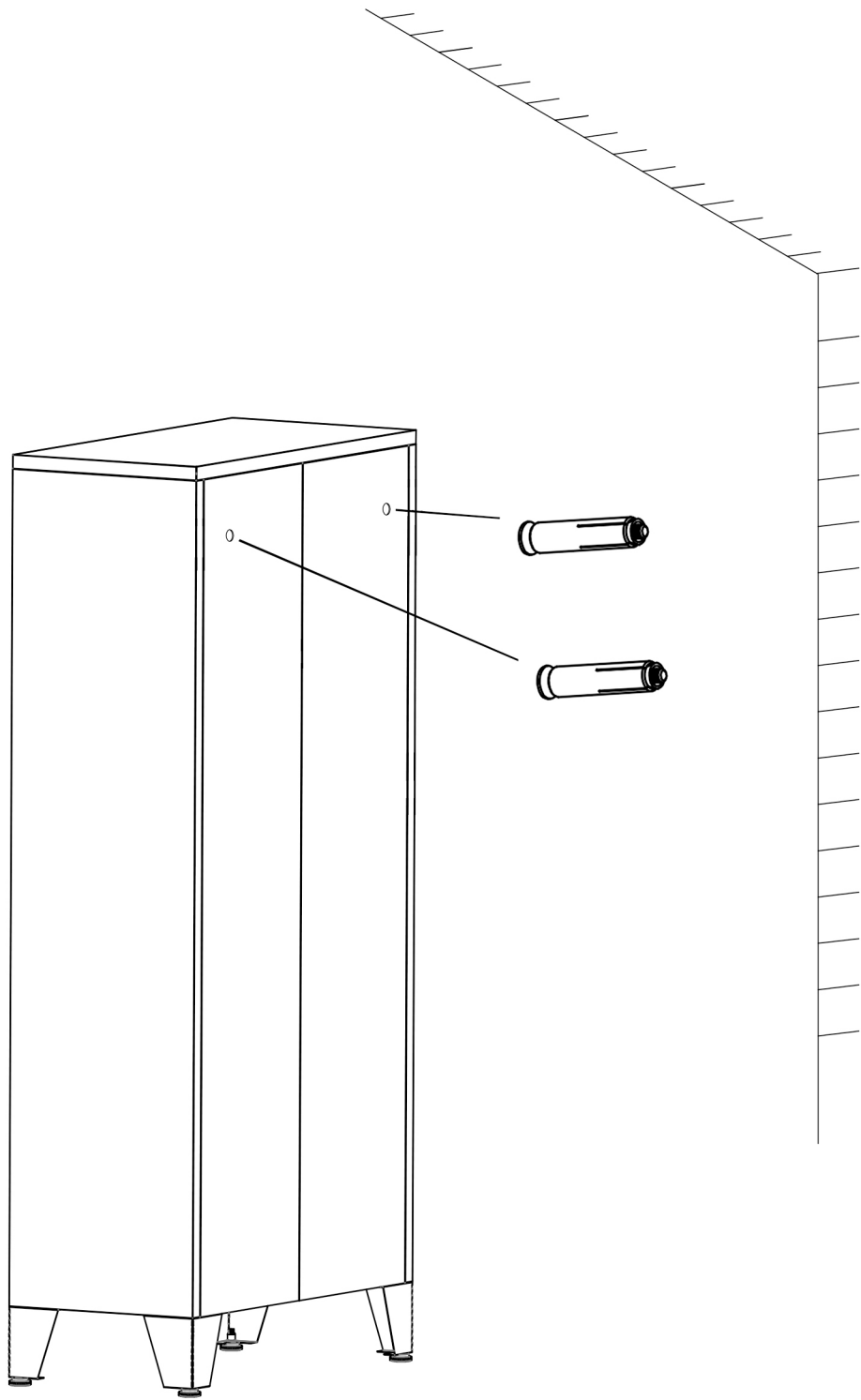
T*2

U*4

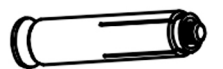
Q*4

DS

12



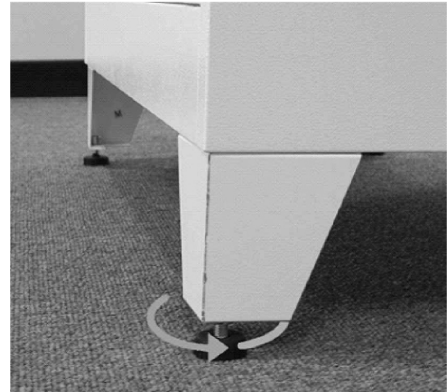
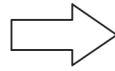
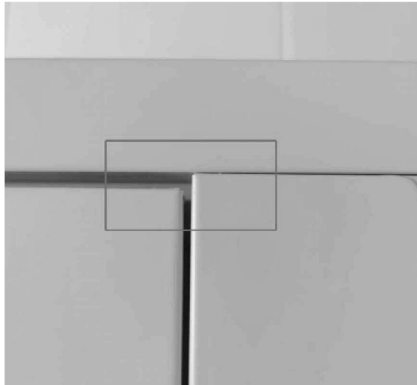
W*2



DS

Problems and Solutions

Question 1: when encountering uneven height of two door panels, adjust the bottom adjustment foot to make it flat.



Question 2: When the door is closed, it still protrudes outward.
That's because the door is made of steel plate and has stretchability.
You can adjust it according to the method shown in the picture.

