



EUROfase

A SEAMLESS FUSION *of* COMFORT & DESIGN

VELLURA

DUAL-PURPOSE HEATING & LIGHTING, EXCLUSIVELY FROM EUROFASE

WWW.EUROFASE.COM

Comfort

Warmth

Lighting

Luxury

Elegance

Sophistication

Innovation

Ambience

Beauty

Vellura

BASED IN NORTH AMERICA, EUROFASE
SPECIALIZES IN LUXURY LIGHTING &
HEATING FIXTURES FOR COMMERCIAL
& RESIDENTIAL APPLICATION.

Contents

About Vellura	Pg 4
Accent Heating	Pg 6
The Vellura Collection	Pg 8
Features	Pg 10
Technical Specifications	Pg 12
Beyond Vellura	Pg 13
Installation Instructions	Pg 14
Warranty	Pg 22
Registration	Pg 23

This manual will guide you through the benefits *Vellura* can offer your space. For additional information not included in this document, please visit us online at www.eurofase.com

VELLURA

A NAME TO EMBODY ELEGANCE & WARMTH

At the heart of every product we create is a story, a vision, and a name that captures its true essence.

For Eurofase's latest innovation in Accent Heating, we sought a name that could best reflect the luxury and comfort it brought to outdoor spaces. After no small amount of thought and inspiration, Vellura was born.

Vellura is derived from the Latin word "vellus," meaning warmth - evoking a sense of gentle comfort & coziness.

It perfectly encapsulates the feeling of wrapping yourself in warmth on a cool evening, while enjoying the refined elegance that Eurofase products are known for.

The soft, flowing sound of Vellura hints at the smooth,

seamless design of the collection — portable, versatile, and ready to add warmth, ambiance, and character to any space.

A key feature that sets Vellura apart is its unique fabric shade. This meticulously crafted element not only enhances the visual appeal but also diffuses the warm LED light in a way that creates a soft, inviting glow. The fabric shade adds an additional layer of sophistication, seamlessly blending with the outdoor environment while providing a tactile, luxurious touch.

With its blend of heat, soft LED lighting coupled with the beautiful fabric shade, Vellura isn't just a functional product; it's an experience that expertly blends comfort and design.

The name represents the harmony between innovation and timeless beauty, making it the perfect choice for our groundbreaking Accent Heating collection.





DECORATIVE | FUNCTION | HEATING

ACCENT HEATING

DUAL PURPOSE HEATING & LIGHTING

LUXURY & INNOVATION REDEFINED WITH A FRESH NEW CATEGORY FOR OUTDOOR LIVING.

Introducing Vellura: Where Comfort Meets Design

Inspired and developed from our expertise in Eurofase Heating products, accent heating brings a new way to experience warmth, expertly combining high-end design with practical performance.

to craftsmanship and sophistication. This portable radiant solution provides warmth and features a warm, 3000K, 700 delivered lumens LED light that adds ambience and functionality to any space.

At this category's forefront is our latest innovation: Vellura.

Extending beyond providing warmth; Vellura transforms outdoor spaces by blending comfort and design to enhance any environment. As the centerpiece of our accent heating category, the Vellura collection represents Eurofase's commitment

Whether you're entertaining guests or enjoying a peaceful evening on the patio, Vellura offers the perfect synergy of comfort, design, and lighting, redefining how you enjoy outdoor spaces.

A SEAMLESS FUSION *of* COMFORT & DESIGN

Vellura is an exquisite, 3-product family of fixtures that deliver heating and lighting through a single, precision-engineered design.

Crafted to seamlessly complement your outdoor decor, Vellura provides localized, efficient heating exactly where it's needed.

Integrated LED lighting helps enhance ambiance while perfectly balancing functionality and design.



Pendant

EFH0139

Freestanding

EFH0138

Table Top

EFH0137

DUAL PURPOSE HEATING & LIGHTING

DECORATIVE | FUNCTION | HEATING

VELLURA

DISCOVER FEATURES & ADVANTAGES UNIQUE to ACCENT HEATING

1 Carbon Heating Element

Carbon elements provide consistent, evenly distributed heating that ensures comfortable spaces and optimized energy consumption.

2 Integrated LED

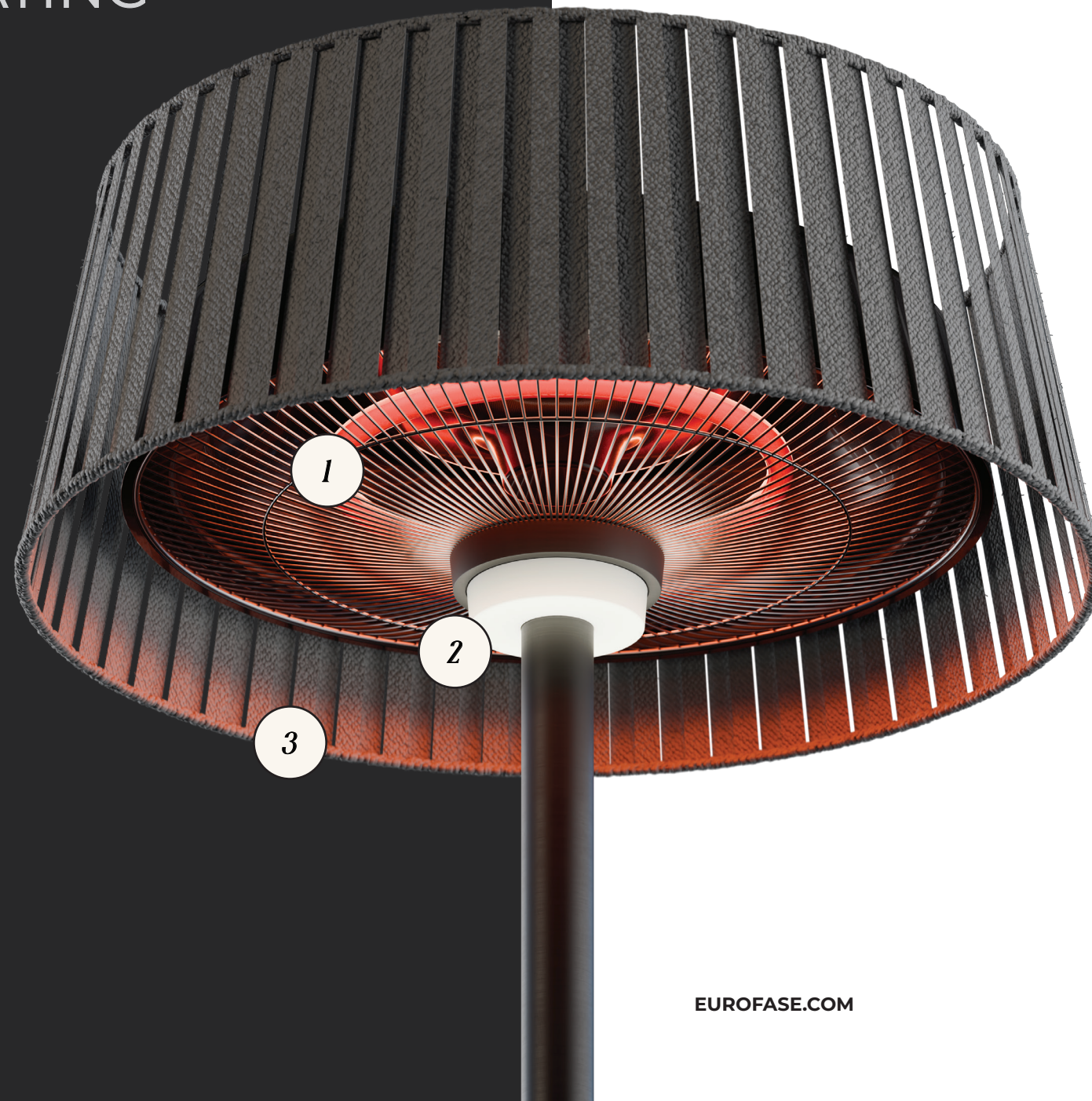
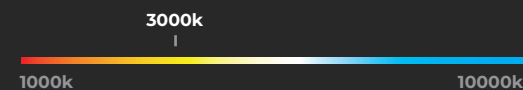
Enhance your space with integrated LED lights, resulting in warmth and ambience through a single, sleek design.

3 Outdoor Fabric Shade

Crafted from premium temperature and weather resistant materials that stand up against sun, rain, and wind and deliver reliable, lasting performance.

CCT 3000k, 700 Lumens

3000K color temperatures emit warm, white light that create cozy and inviting atmospheres ideal for residential and hospitality settings.



Vellura incorporates a robust build process to ensure lasting performance under the most demanding conditions.

Dimmable

Adjust the LED brightness from full intensity down to a soft glow as needed.

Touch Controlled

Simple and intuitive controls and a USB-A port provide convenience and make adjusting heat, lighting, and timer functionality a simple process.

Remote & Timer

An included remote makes operation convenient wherever you are. A built-in timer allows customization of your heating schedule.

Wet Rated IPX4

Suitable for use in damp or wet conditions, ensuring reliable performance and durability in outdoor or high-moisture areas.

Variable Heat Output

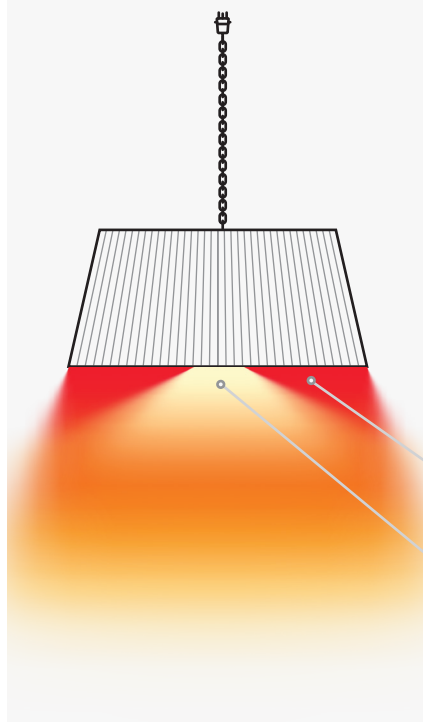
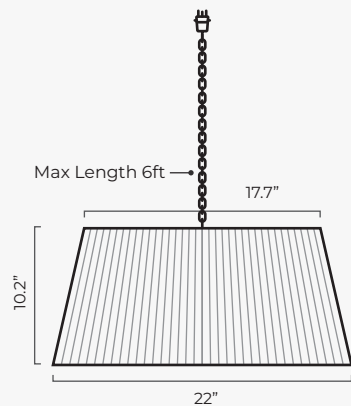
Choose between three heat settings (500W, 1000W, 1500W) to find the ideal temperature for your space.

Safety Sensors

A safety-tilt cutoff mechanism automatically shuts the heater off if it is accidentally tipped.

Easy Installation

Straightforward setup with clear instructions and required hardware included.



VELLURA PENDANT HEATER

Elevate your outdoor experience with our decorative pendant heater and lamp.

Combining warmth and ambience in one elegant design, this versatile piece can be hung from a covered deck or inside a pergola. With a sleek, contemporary aesthetic, this heater adds a touch of elegance to any setting.

KEY FEATURES

Dual Functionality
Provides heat and accent lighting, creating a warm, inviting atmosphere.

Adjustable Heat Settings
Control the temperature to suit your comfort level with adjustable heat settings.

Carbon Element
Efficient heating keeps you warm without consuming excessive energy.

Safety Features
Equipped with overheat protection, a cool-touch exterior, and safety tilt shutoff sensor for safe, worry-free use.

Infrared Heating
1500W

LED Lighting
3000K, 700 LM

Family	Vellura
Item No.	EFH0139
Wattage	1500W
Voltage Rating	120V
Total Amps	12.5A
Finish	Black
Construction	Aluminium
Heat Setting	Low / Med / High
Heating Area (approx.)	5'x5' (25 sq ft)
Heating Element	Carbon 5000 hrs.
Control Type	Remote Control
Height	10.2"
Diameter	22" (Shade)
Weight	11 lbs
Cable Length	7'
IPX Rating	IPX4
Warranty	3 Year



Indoor +
Outdoor
Rated



BEYOND VELLURA

Infrared heaters
for any occasion

The Vellura collection is one among an extensive line of premium heating products built for commercial and residential application.

Eurofase manufactures a versatile selection of wall mounted, flush mounted, low-profile, marine grade, and pole mounted offerings. Additions like Wi-Fi & remote control, decorative covers, and industry leading

warranty are also available for your convenience.

When combined with our heating design service, bespoke solutions can be developed within 24 hours to solve any need.

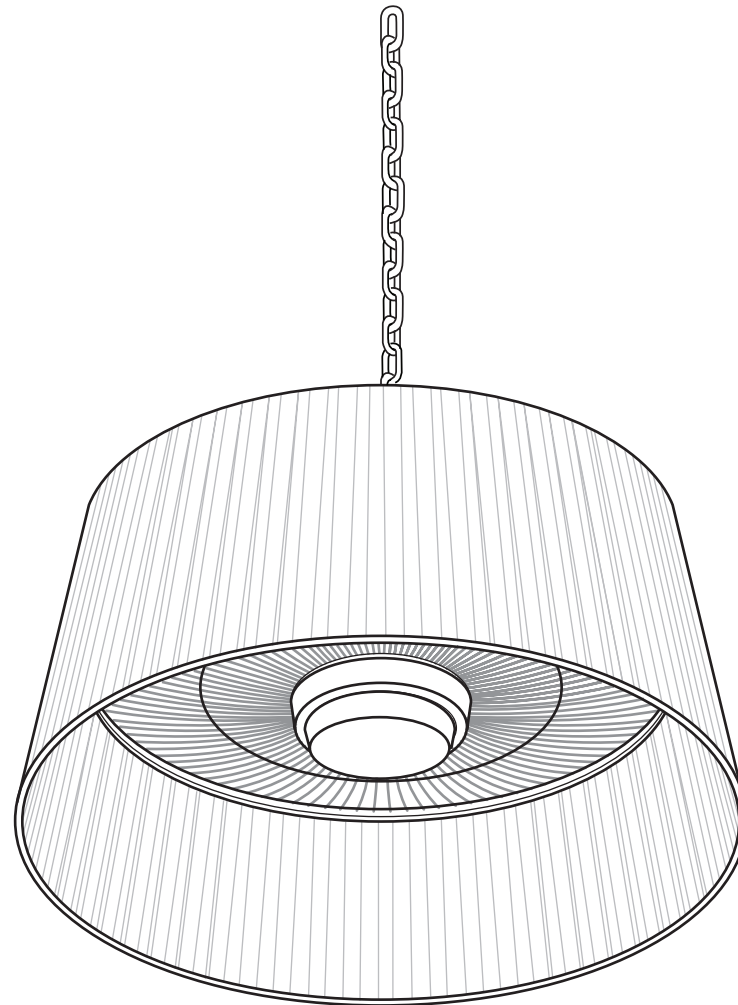
To learn more, you can access a comprehensive product catalog online:

www.eurofaseheating.com

INSTRUCTION MANUAL

PENDANT HEATER

ITEM NUMBER: EFH 0139



Thank you for purchasing the Vellura Dual Purpose Heating and Lighting Fixture. This versatile unit combines efficient heating with ambient lighting to enhance comfort and ambiance in both indoor and outdoor settings.

IMPORTANT

Please read this manual carefully before installation and usage to ensure proper operation and safety. Keep this manual for future reference.

SAFETY INFORMATION

- **Warning:** To prevent overheating, do not cover or block the heater while in operation.
- Ensure the heater is properly grounded.
- Do not use the unit in wet conditions.
- Always turn off the unit and disconnect from the power source before performing any maintenance.
- **This appliance is for adults only.** All children and people with a reduced physical, sensory, or mental capacity must not play with, operate, or clean this product. Failure to follow these recommendations may result in property damage, injury, or death.

CAUTION ⚠

- This appliance becomes extremely hot when in use. Touching this product when in use may result in burns, damage, injury, or death. All pets, children, and people with a reduced physical, sensory, or mental capacity should remain at least 3ft / 100cm away from this unit.
- DO NOT use the heater if the ambient temperature exceeds 80°F / 26.6°C
- This appliance cannot control room temperatures. Do not use this heater in small, enclosed rooms, especially with children or pets.
- **Never position heater where it may become submerged in water, such as close to a pool, hot tub, spa, bathtub, or water tank.**
- DO NOT position this appliance below a power source, socket, outlet, or plug.
- DO NOT position this unit near any combustible items, such as curtains, clothing, gas, or any flammable liquids or vapors.
- If the cord or plug is damaged, please contact Eurofase Inc. directly for a replacement part. Any maintenance must be completed by a certified electrician. Do not attempt to operate this heater prior to replacement.

SAFETY INFORMATION

- Place the heater outdoors or in a large open space, away from obstructions like branches or any object that could be impacted by heat (keep at least 3ft / 100cm meter clearance from objects such as furniture, curtains, or other flammable materials).
- Confirm all parts are present, with no components left in the box, and that the heater head is free from packaging materials prior to assembly.
- Do not operate the heater near pools, hot tubs, spa, bathtubs, or in unventilated spaces.
- Avoid use in areas where gas, petroleum based products, paint, or other flammable substances are stored. Do not push objects through, obstruct, or cover the grill of the heater head.
- Do not use with a programmer, timer, or other device that automatically switches the heater on, as this could pose a fire risk.
- Avoid moving the heater while connected to a power source and allow the unit to cool before storage.
- Do not touch the heater head during use, and avoid leaving it unattended, especially with children or animals nearby.
- Maintain a clearance of at least 3.5ft/106cm from walls and 1ft/30cm from the ceiling.
- The heater operates at high temperatures and remains hot for a period after shutdown, posing a risk of burns.
- Do not cover the unit during operation or immediately after shutdown, and do not wrap the power cord around the unit.
- Handle the heater carefully, avoiding impact or vibration, and ensure the unit is securely grounded.
- For any damage, repair should only be done by a professional electrician.
- If the power cord is damaged, it must be replaced by an authorized agent or a professional to prevent hazards.
- Avoid using the heater in areas with volatile air (e.g., dust, steam, or gas).
- Do not use this heater as a clothes or towel dryer, sauna heater, or room heater.
- Do not use this unit for animal care or in environments where pets are bred or raised.
- Do not immerse the unit in water, clean only with a dry or slightly damp cloth.
- Connect the heater to a 15A power supply in a secure, dry location.
- While the heater is IPX4 rated (splashes or omnidirectional water) avoid use in rainy or wet conditions.
- Always disconnect the power cable when the heater is not in use.
- To prevent overheating, damage, injury or fire, do not cover the heater when in operation.
- Keep the appliance and its cord out of children's reach.
- Avoid using the heater in small rooms occupied by individuals unable to leave without assistance unless supervised.
- Ensure no combustible materials or environmental factors (e.g., curtains, clothing) obstruct the appliance.
- Only connect the heater to a power source after assembly is complete.

- Do not connect the heater if any parts or the power cord appear damaged.
- Pets, children, and people with a reduced physical, sensory, or mental capacity should not be near the heater unless supervised.
- Children, and people with a reduced physical, sensory, or mental capacity should not plug in, adjust, clean, or maintain the appliance.
- The heater can be used by individuals with reduced capabilities, provided they receive guidance and understand the risks.
- CAUTION — Some parts of this product become very hot and could cause burns, especially in the presence of children and vulnerable individuals with a reduced physical, sensory, or mental capacity.

PRODUCT SPECIFICATIONS

MODEL

EFH0139 - Pendant Heater
Vellura Dual Purpose Heating and Lighting Fixture

POWER INPUT

110V-120V AC / 60Hz

HEATING OUTPUT

Adjustable, up to 1500W

LIGHTING OUTPUT

3000K; 700 lumens

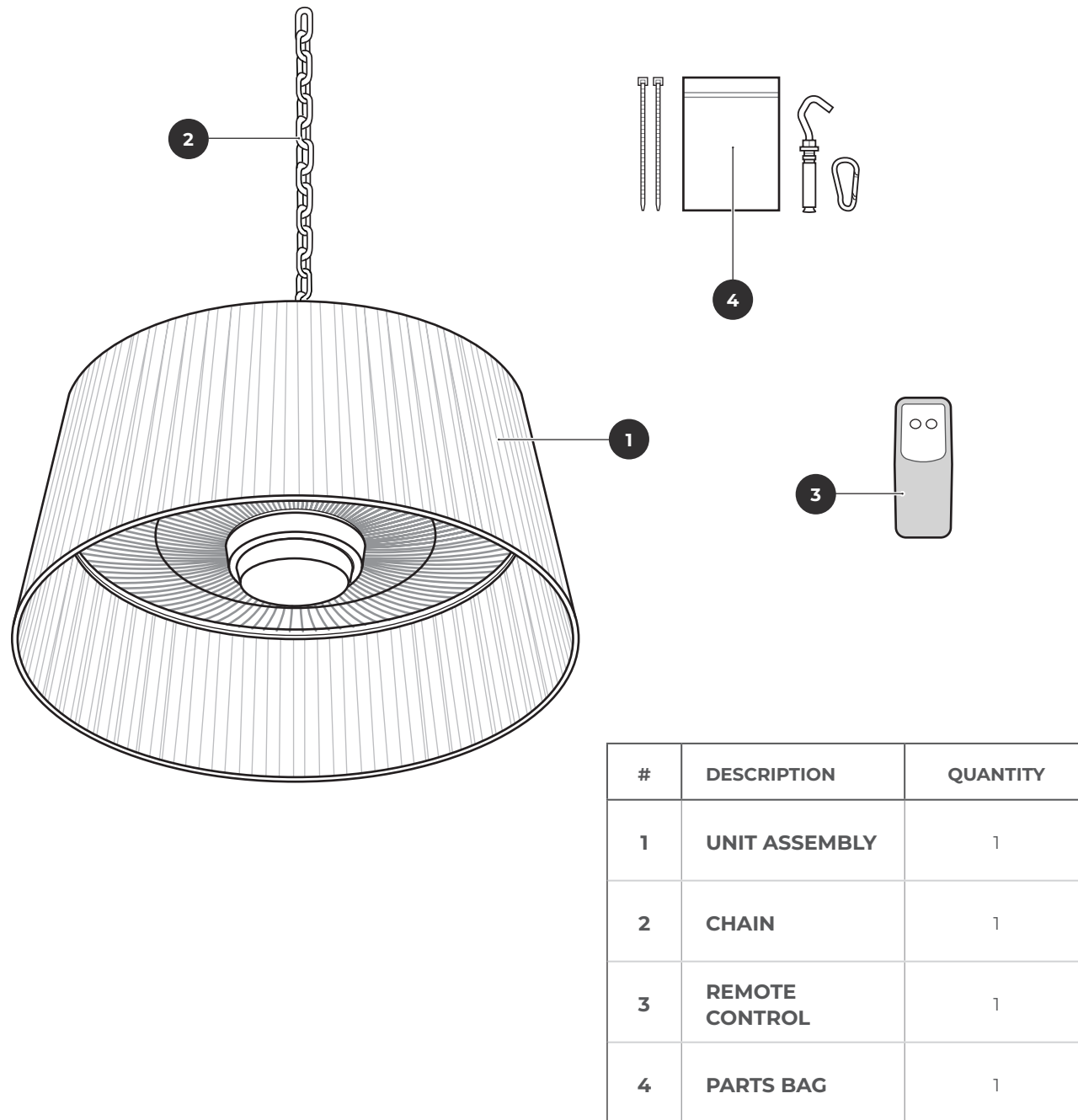
NET WEIGHT

11 lbs

CONTROL TYPE

Remote control with dimming options

PARTS LIST



ASSEMBLY

CEILING ATTACHMENT

The heater must be mounted on a concrete ceiling. The provided mounting hardware is specifically designed for concrete and is not suitable for other surfaces.

1. Drill a hole with a diameter of 5/16in / 0.795cm in the ceiling.
2. Insert the hook screw into the drilled hole.
3. Tighten the hook securely.
4. Hang the unit assembly using the chain on the hook, ensuring a minimum distance of 12in / 30.5cm between the ceiling and the heater. The distance between the floor and the heater should be at least 71in / 180cm.
5. Route the power cable alongside the chain to the socket, securing it to the chain with a zip tie. Ensure that the power cable does not touch the first three links of the chain or come into contact with the heater. Do not hang the heater by the power cable.



GAZEBO/PERGOLA ATTACHMENT

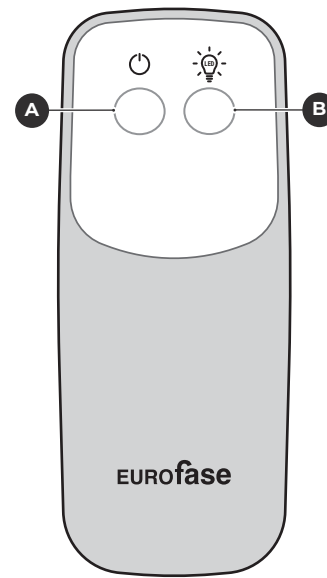
Ensure that the tent frame from which the heater is suspended is robust enough to support the weight of the heater.

1. Attach the chain to the heater.
2. Wrap the chain several times around the frame and connect the other end to the heater, ensuring that the distance between the suspension point and the heater is at least 12in / 30.5cm. The height from the floor to the heater must be a minimum of 70.9in / 180cm.
3. Verify that the heater is securely suspended.

FUNCTION INSTRUCTIONS

Once installed, plug it into a grounded 110V-120V / 60Hz power outlet and use the remote to operate the heater.

ICON	BUTTON	FUNCTION
A 	ON/OFF Button	ON/OFF button of the heating module
B 	LED Dimmer Button	The light can be turned On/Off and brightness can be easily adjusted with a simple press of the button

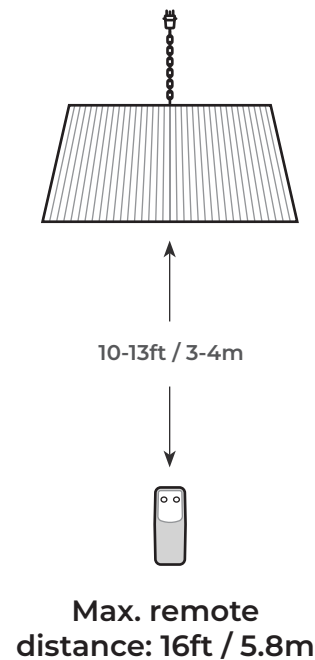


REMOTE CONTROL GUIDE

1. The remote control has an effective range of 10-13ft / 3-4m. For best results, ensure there are no obstacles between the remote and the unit.
2. The remote control operates with 2 AAA 1.5V batteries (included). If the remote is not in use, remove the batteries to minimize wear.

TIP

For optimal performance, ensure the remote is directed toward the receiver, as shown in the illustration to the right.



ATTENTION

- Ensure all mounts are firmly secured and all screws are tightened. Confirm that the mounting location is stable and able to support the appliance.
- Adjust the height as needed, ensuring all screws are fastened securely. Regularly inspect screw stability, as pressure and movement from harsh weather may loosen the fixtures.
- Plug the appliance into a power source and operate it using the remote control. Observe the unit for at least 15 minutes to confirm that all components are functioning correctly.
- When not in use, remove the batteries from the remote to help extend their lifespan.

SERVICE AND MAINTENANCE INSTRUCTIONS

- **Power Off & Cool Down:** Unplug the unit and allow it to cool completely before performing any maintenance.
- **Cleaning the Unit:** Use a soft, damp cloth to clean the outer shell. A mild detergent may be used if needed. Dry the unit with a soft cloth afterward.
- **Avoid Harsh Cleaners:** Do not use alcohol, gasoline, abrasive powders, furniture polish, or rough brushes, as these can damage the heater's surface.
- **Water Exposure:** While this heater is IPX4 rated and designed for outdoor use, do not immerse it in water or expose it to excessive moisture.
- **Ensure Dryness Before Use:** Wait until the unit is fully dry before plugging it back in.
- **Continuous Improvement Notice:** We are committed to product development and may make changes to product specifications without prior notice.

DISPOSAL

Environmental Protection

Electrical products should not be disposed of with regular household waste. Please recycle wherever recycling facilities are available. For guidance, consult your local authority or retailer for information on appropriate recycling options.



VELLURA DUAL PURPOSE HEATING AND LIGHTING FIXTURE: WARRANTY AND REGISTRATION GUIDE

Thank you for choosing the Vellura Dual Purpose Heating and Lighting Fixture. Designed to enhance your outdoor spaces with both warmth and elegant illumination, your Vellura fixture is crafted to bring lasting enjoyment for years to come. To register, please fill in the Model and Serial Number along with the purchase date in the designated areas. Keep this information for future reference.

Please ensure that all family members are familiar with the fixture's proper usage and safety precautions to prevent injury. For complete guidance, carefully read the Owner's Manual before use.

Eurofase Warranty Assurance

Eurofase guarantees that the Vellura Dual Purpose Heating and Lighting Fixture is free from defects in materials and craftsmanship for three years from the original purchase date.

THREE-YEAR LIMITED WARRANTY

This warranty applies exclusively to the original owner as per the terms and conditions specified below.

As part of this limited warranty, Eurofase will supply replacement parts to the original owner for any component that fails within three years of the original purchase date. Eurofase may, at its discretion, offer to rebuild or replace the fixture during this period. All usage and maintenance must comply with the instructions provided in the Owner's Manual.



REGISTER YOUR EUROFASE HEATING PRODUCT ONLINE

Visit www.eurofaseheating.com/warranty-and-registration or scan the QR code to register your Eurofase product for additional benefits

EXCLUSIONS FROM WARRANTY COVERAGE

The warranty does not cover:

- Service and labor costs for diagnosis, removal, or re-installation of the fixture or parts.
- Shipping and delivery charges.
- Damages due to misuse, negligence, thermal shock, natural disasters (e.g., earthquake, flood, fire), or intentional damage.
- Failure caused by electrical service issues, including voltage fluctuations, blown fuses, or circuit breakers.
- Damage due to electrical service inadequacies or interruptions.
- Normal product wear and tear, including oxidation, surface scratches, or heating element replacement.

GENERAL WARRANTY CONDITIONS

This warranty is void if the Dual Purpose Heating and Lighting Fixture is not used and maintained according to the instructions provided in the Owner's Manual. Prior written permission is required to return any parts or equipment under warranty. Such returns must be pre-authorized, and shipping charges prepaid.

LIMITATION OF IMPLIED WARRANTIES

Implied warranties, including those of merchantability, are limited to three years. Some jurisdictions may not allow limitations on the duration of implied warranties.

WARRANTY CLAIMS PROCESS

To initiate a warranty claim, please contact the dealer where the fixture was purchased, or another authorized Eurofase dealer. If assistance is needed, contact Eurofase at 1.833.346.6682 (Monday to Friday, 8 am – 5 pm) or via email at info@eurofaseheating.com.

NEED ADDITIONAL INFORMATION?

For additional inquiries, please contact us at info@eurofaseheating.com or toll free at 1.833.346.6682

Designed and built by Eurofase, *Vellura* is an exquisite, 3-product family of fixtures that delivers heating and lighting through a single, precision-engineered design.

EUROfase

International Office

33 West Beaver Creek
Richmond Hill, Ontario, Canada, L4B 1L8

International 1.905.695.2052
Toll Free 1.833.346.6682

Dallas Market Center

Suite 4002, Trade Mart Building
2100 Stemmons Freeway
Dallas, Texas, 75207

E info@eurofaseheating.com