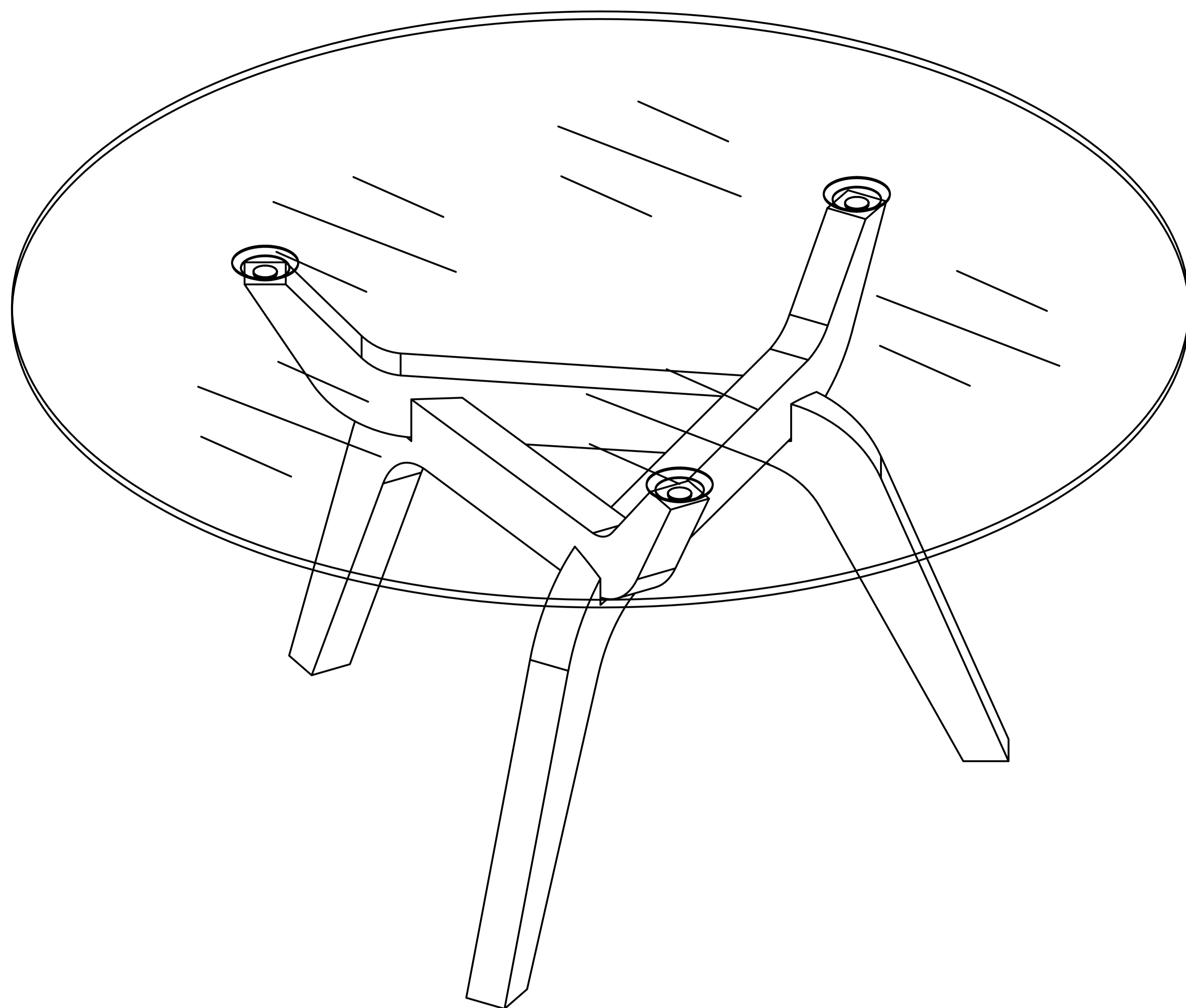
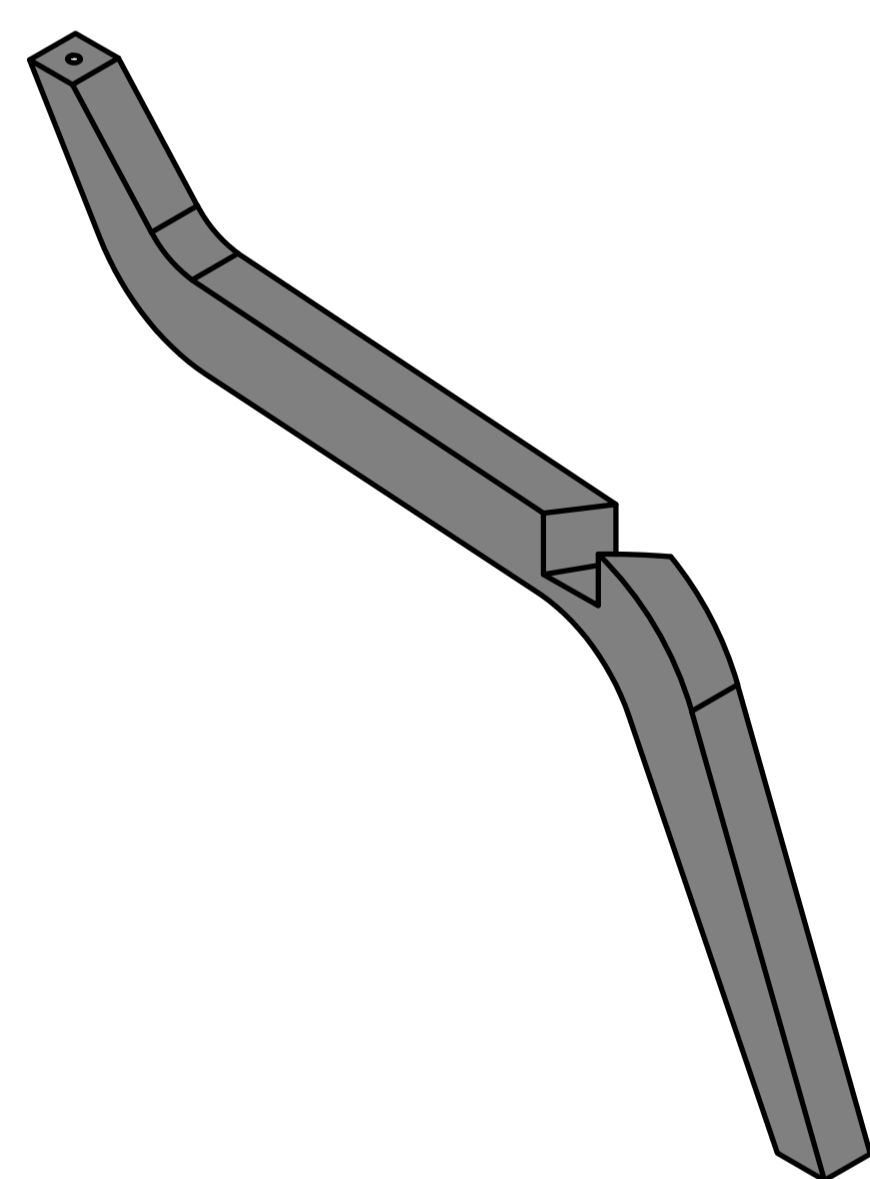


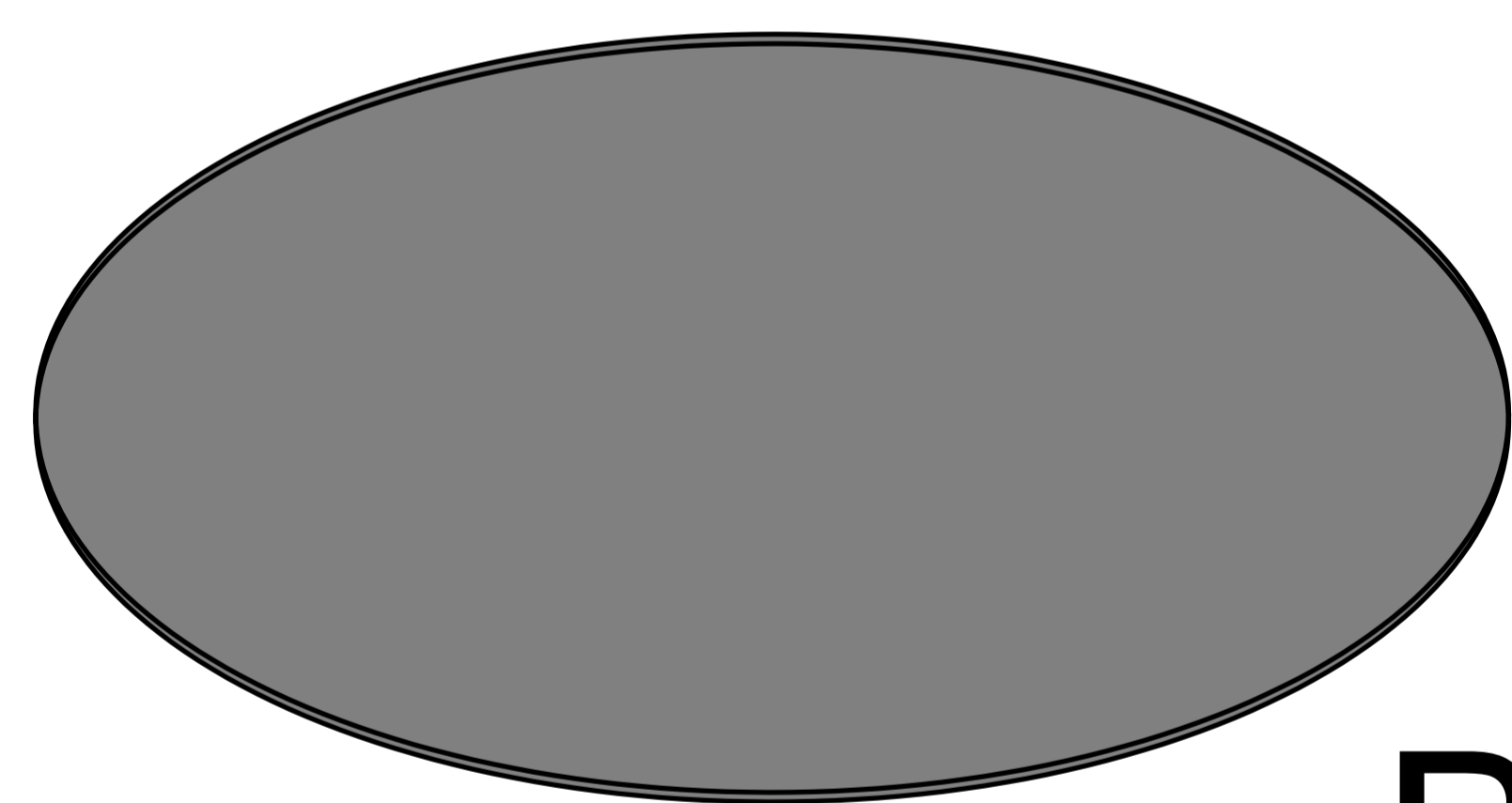
Product Installation Instructions



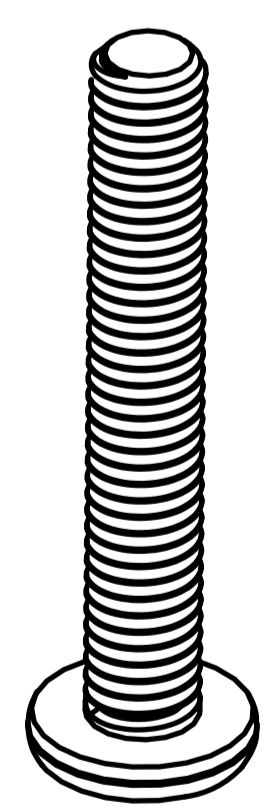
Accessories list



A x3



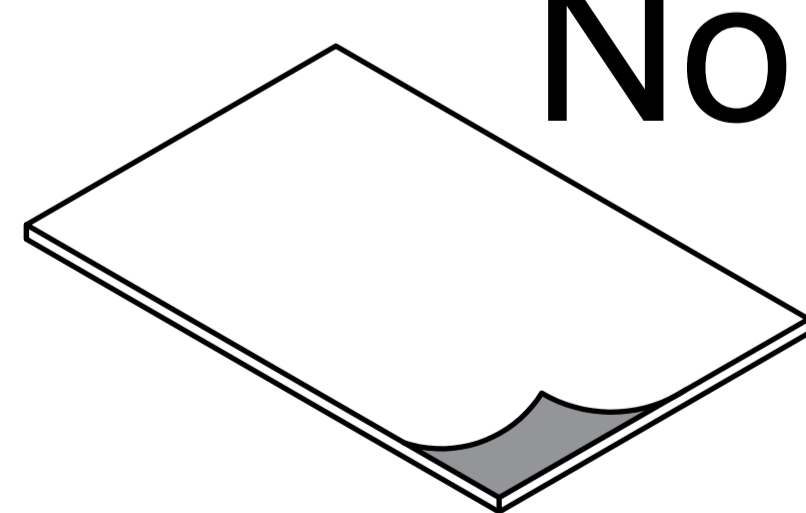
B x1



(M6x40mm)

Screw

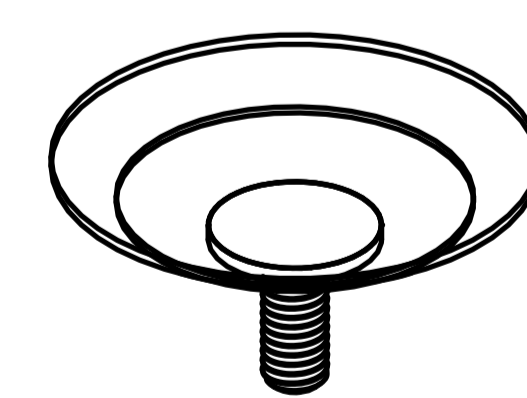
① 3pcs



(24x24mm)

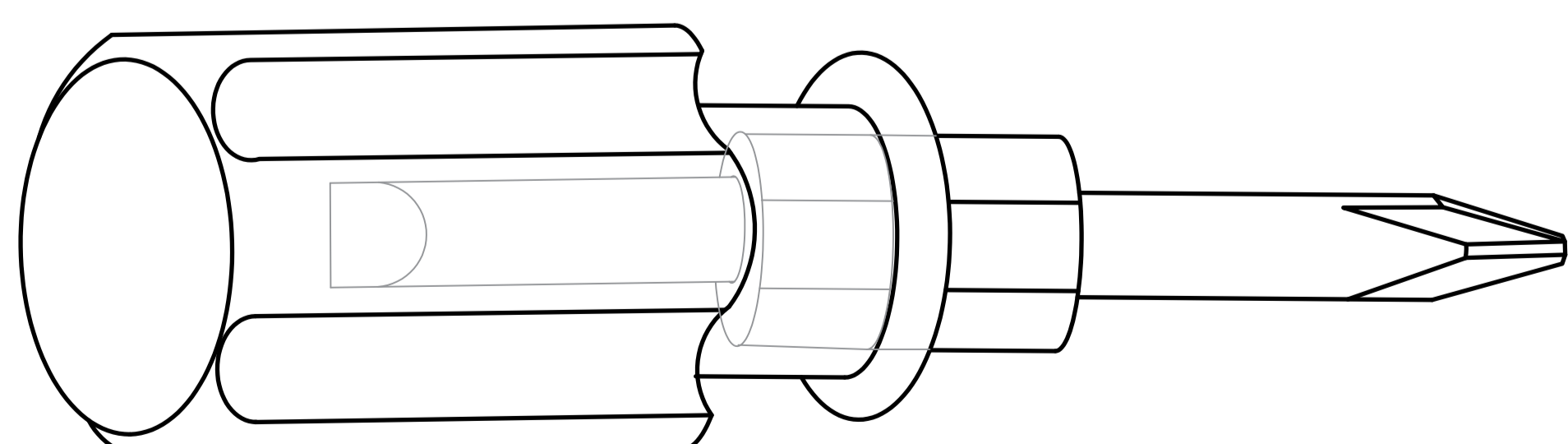
Non-slip pads

② 3pcs
+1pcs

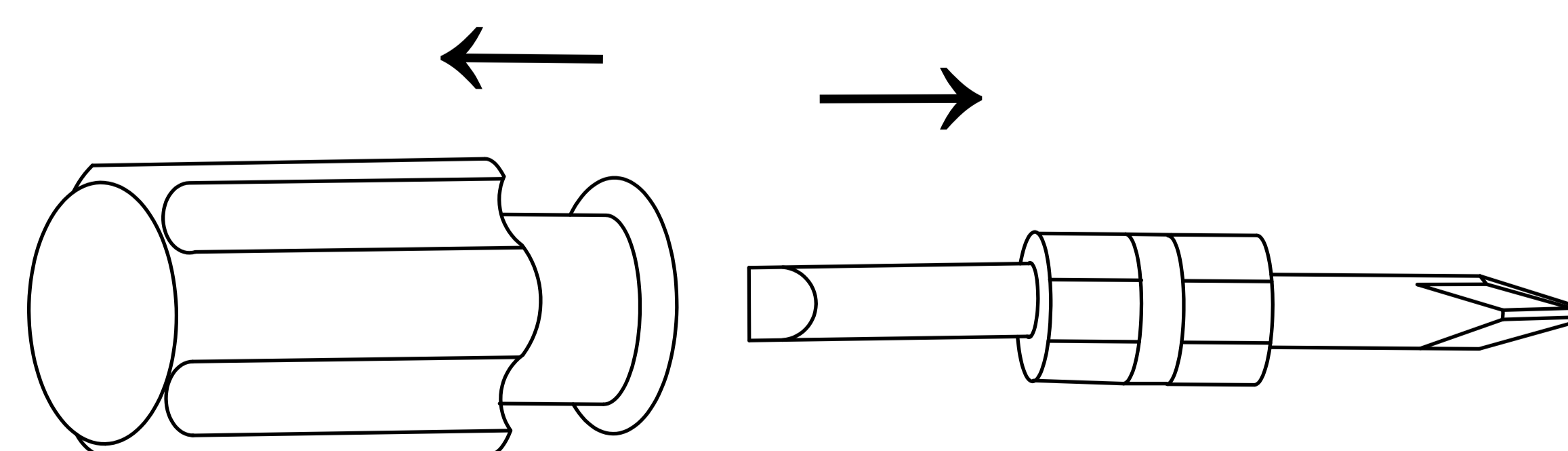


Glass pallet

③ 3pcs

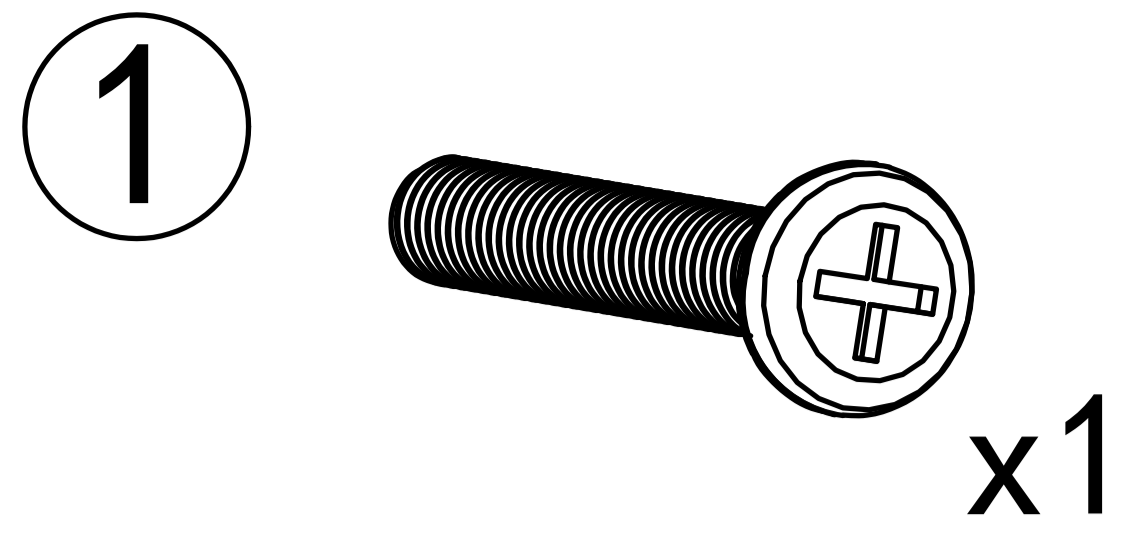


1pcs

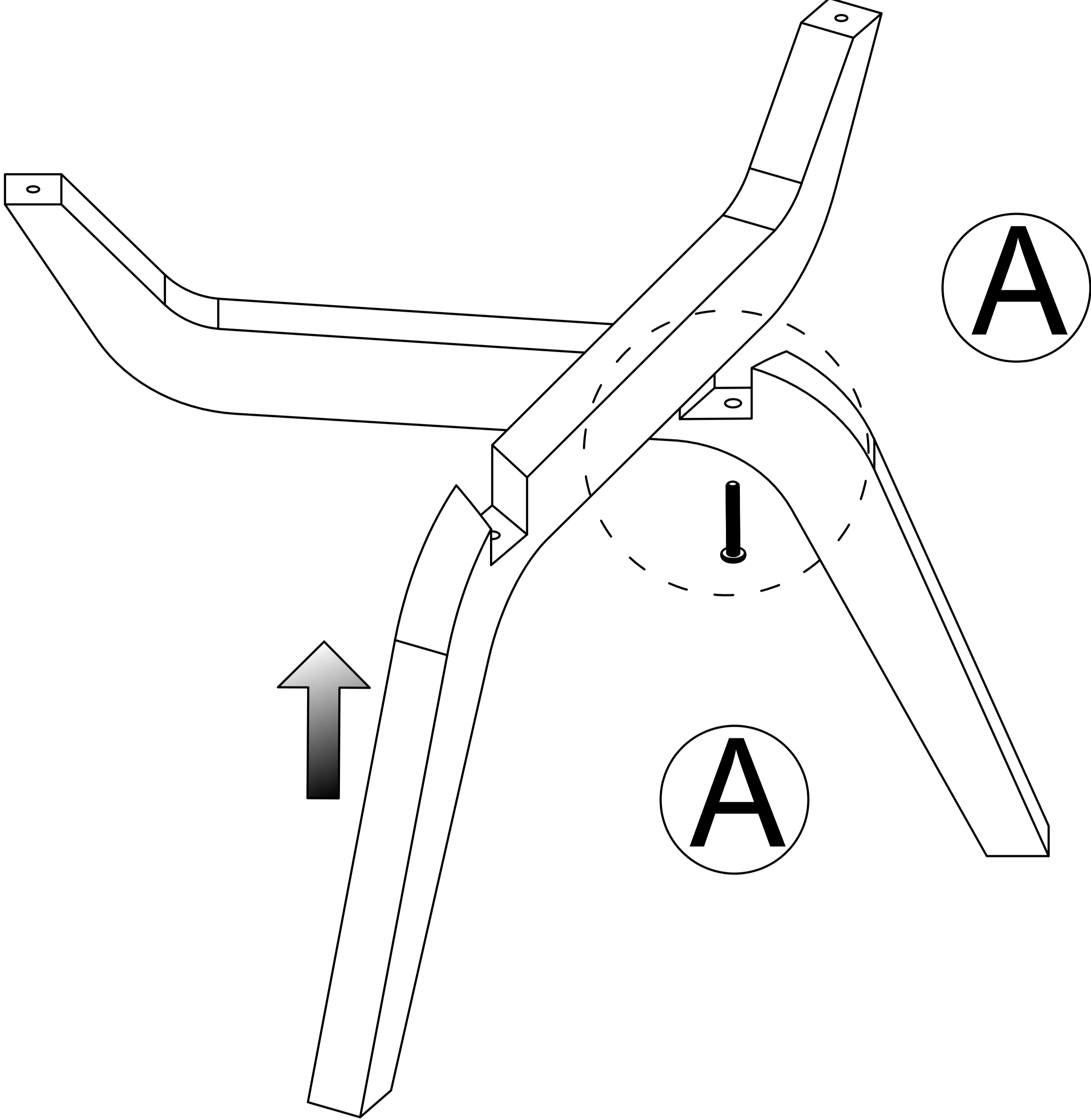
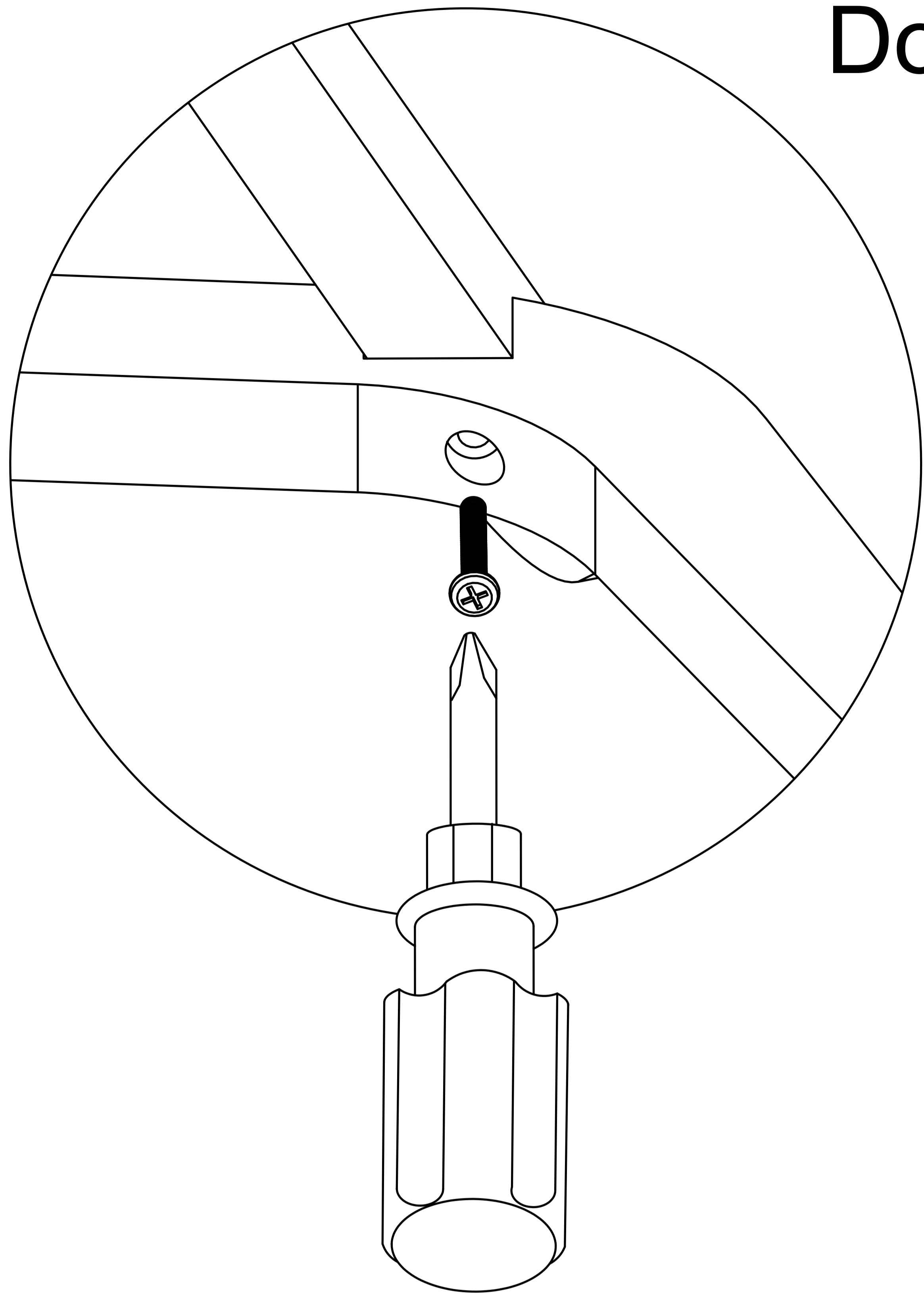


Double-head screwdriver, use as required

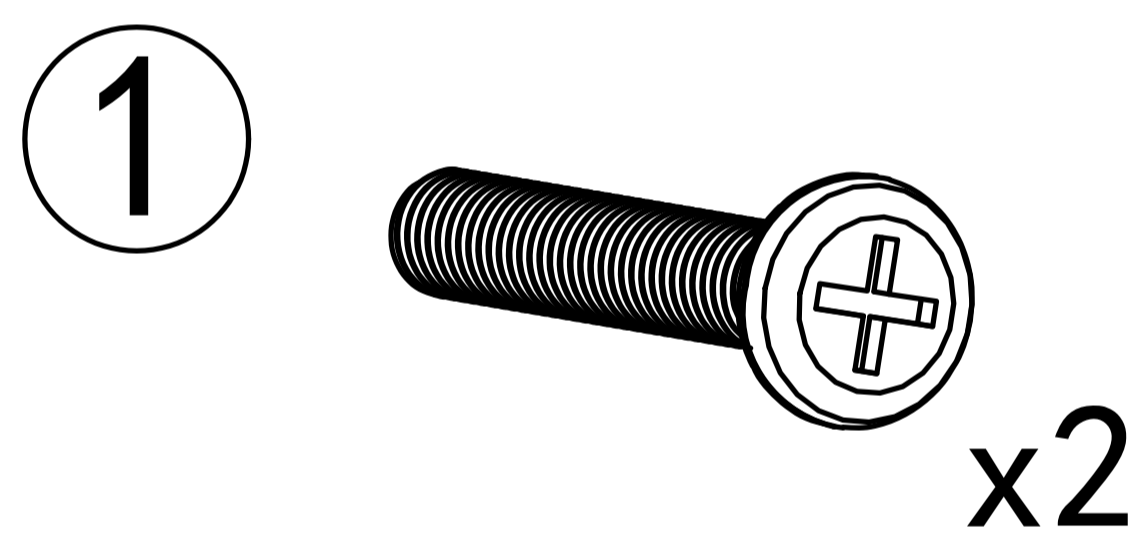
Step 1



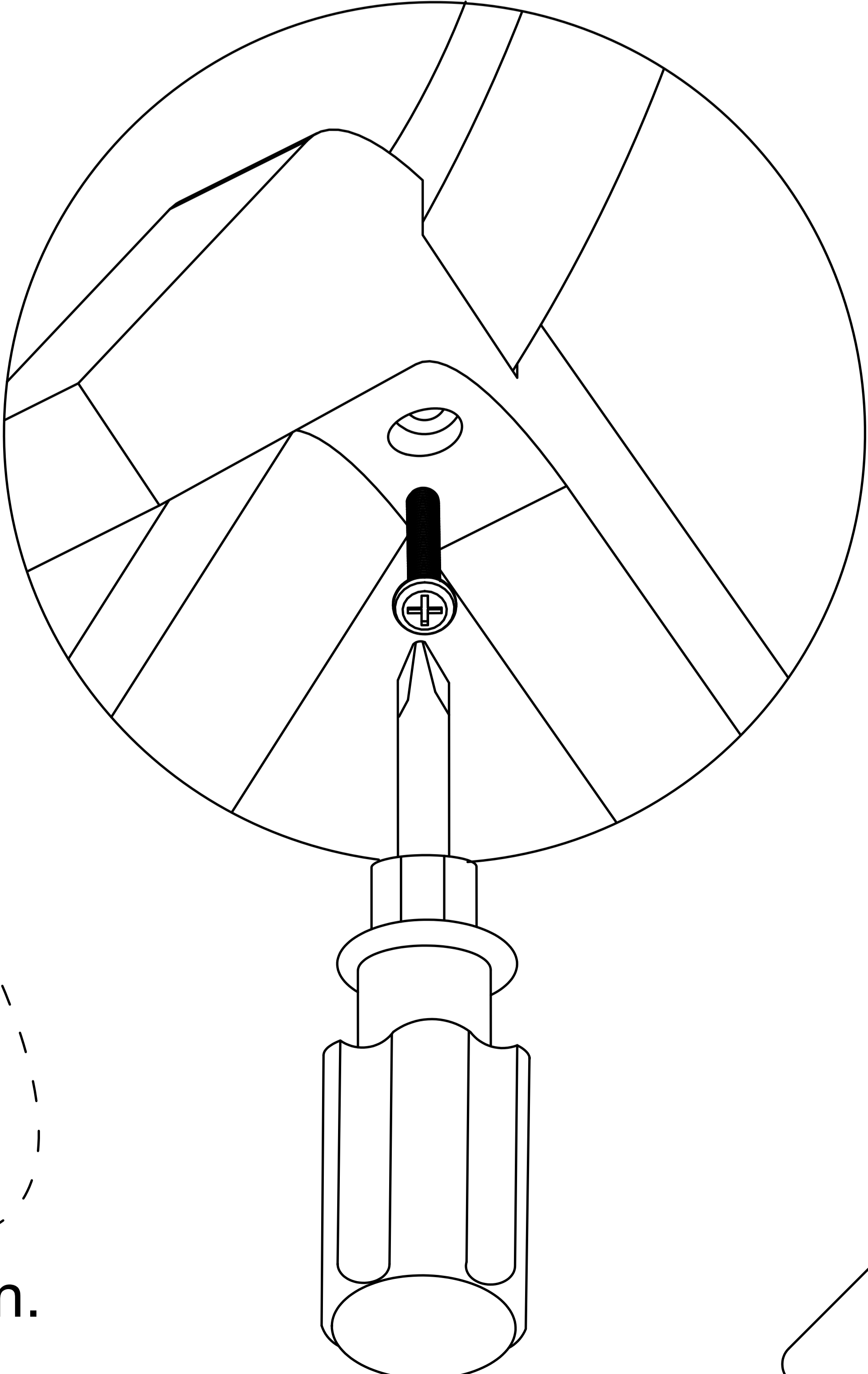
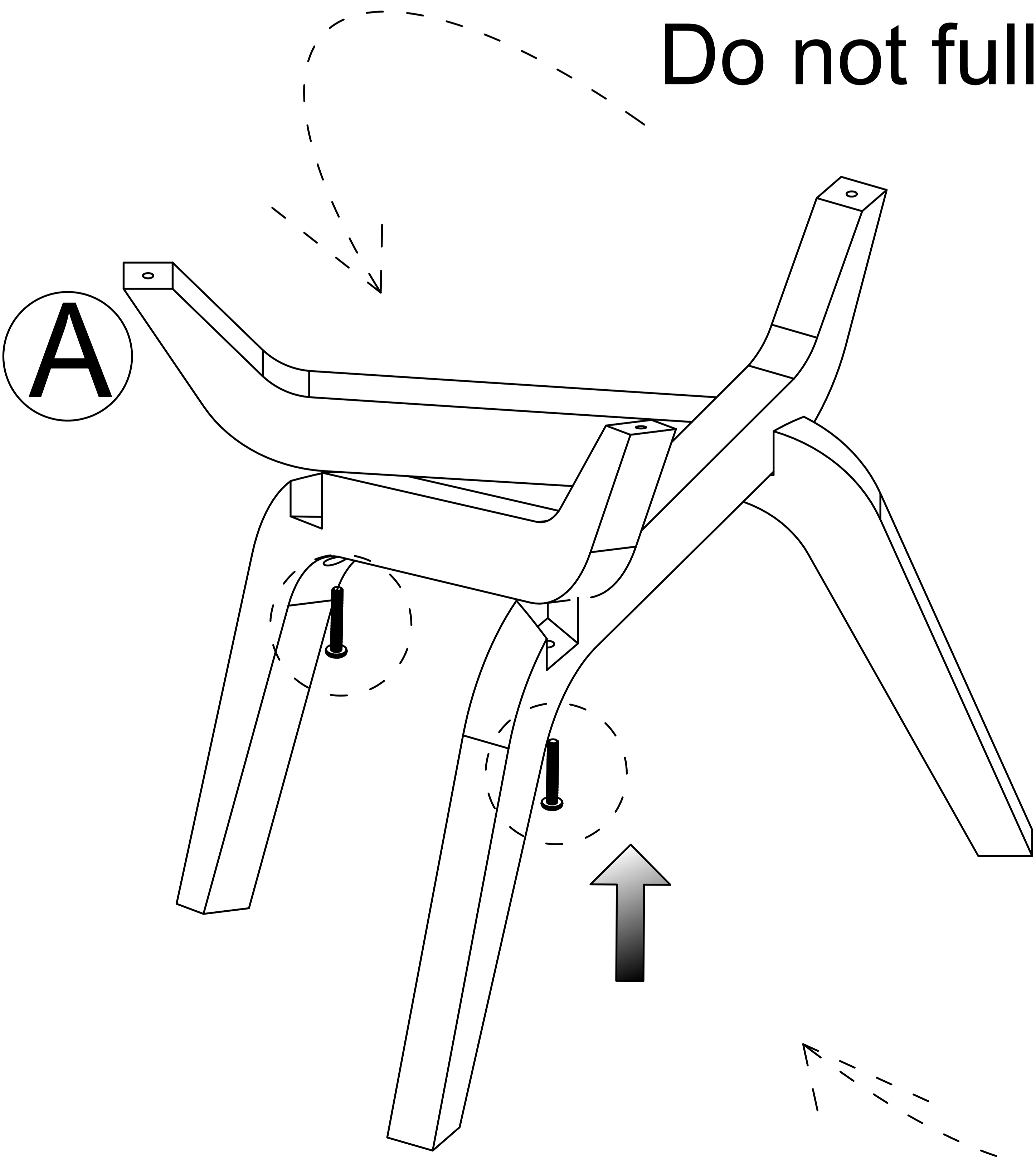
Do not fully tighten the screws yet.



Step 2



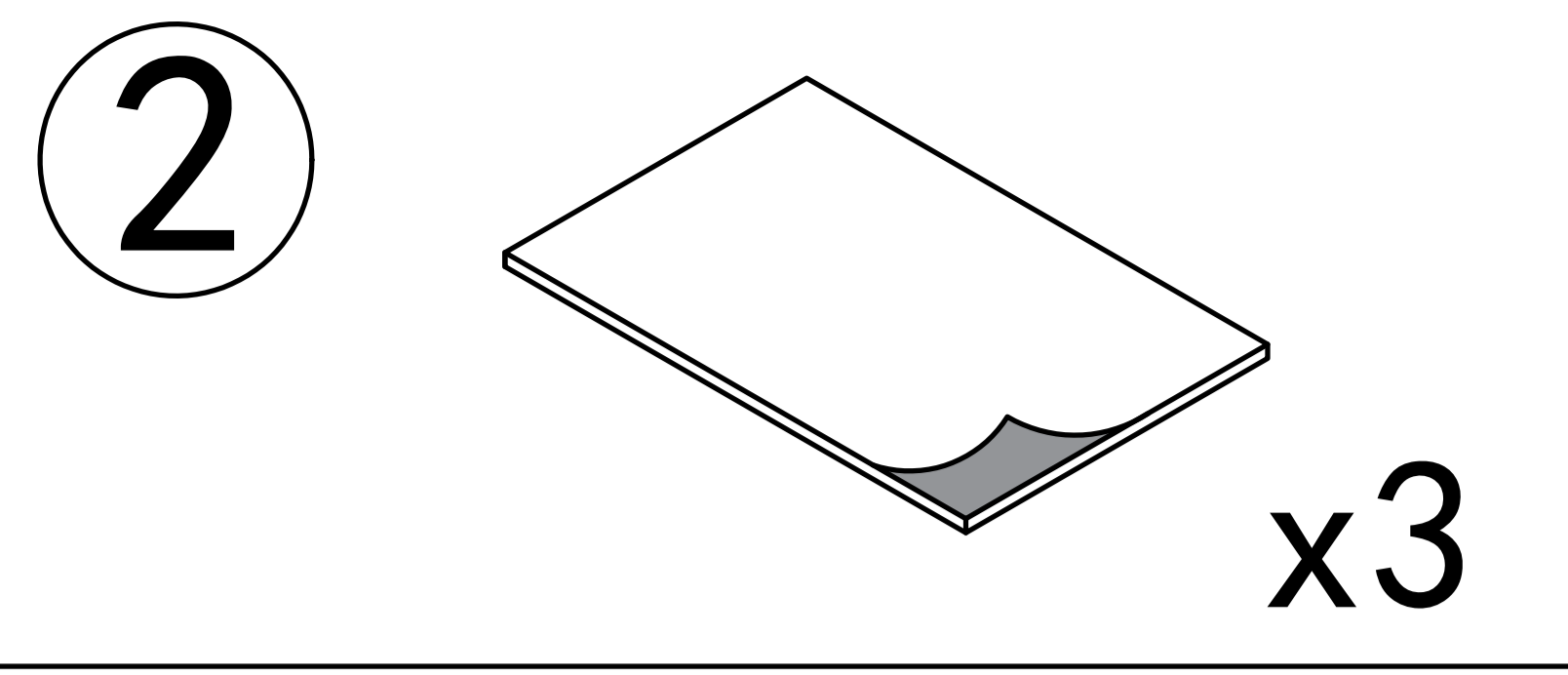
Do not fully tighten the screws yet.



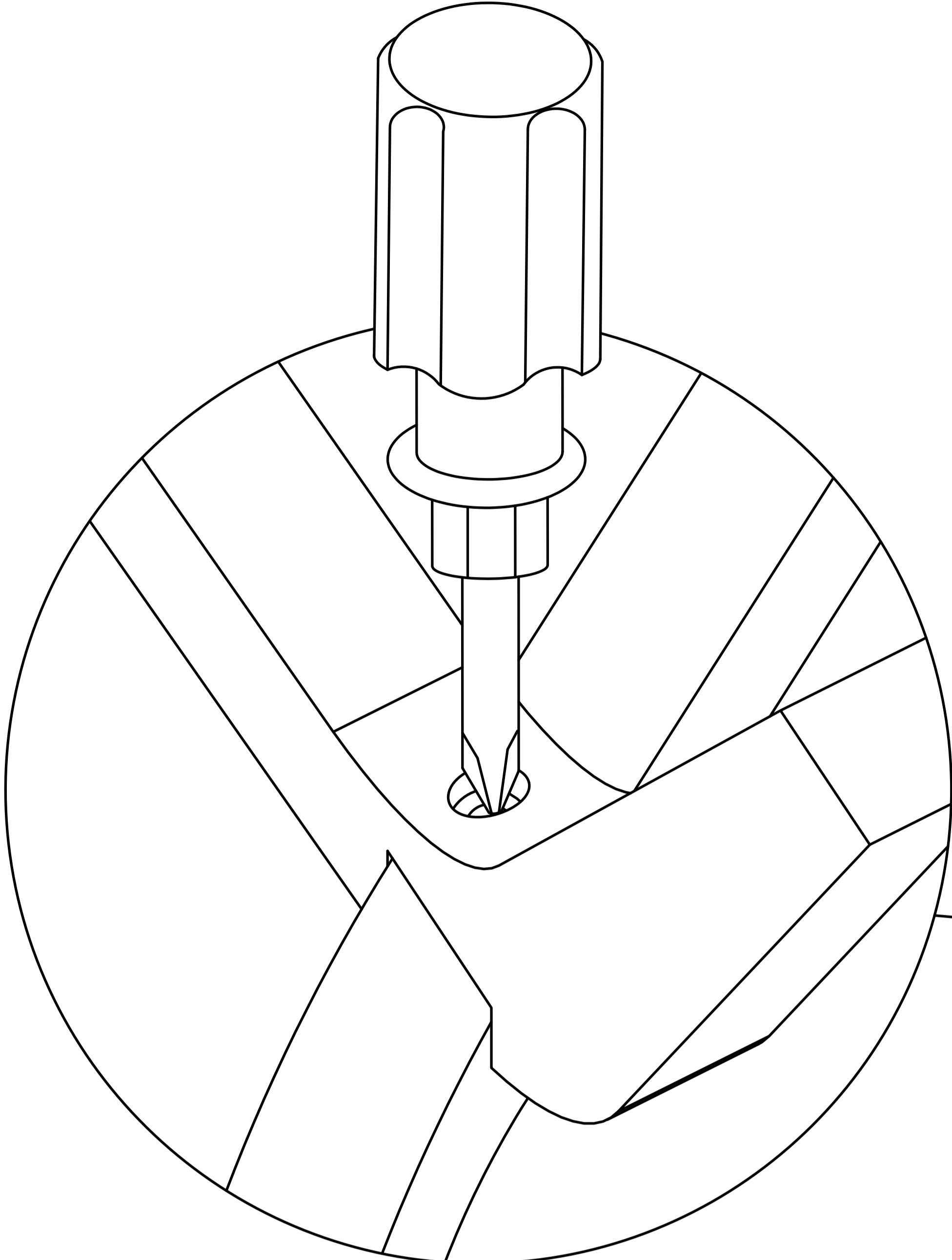
Reverse after installation.



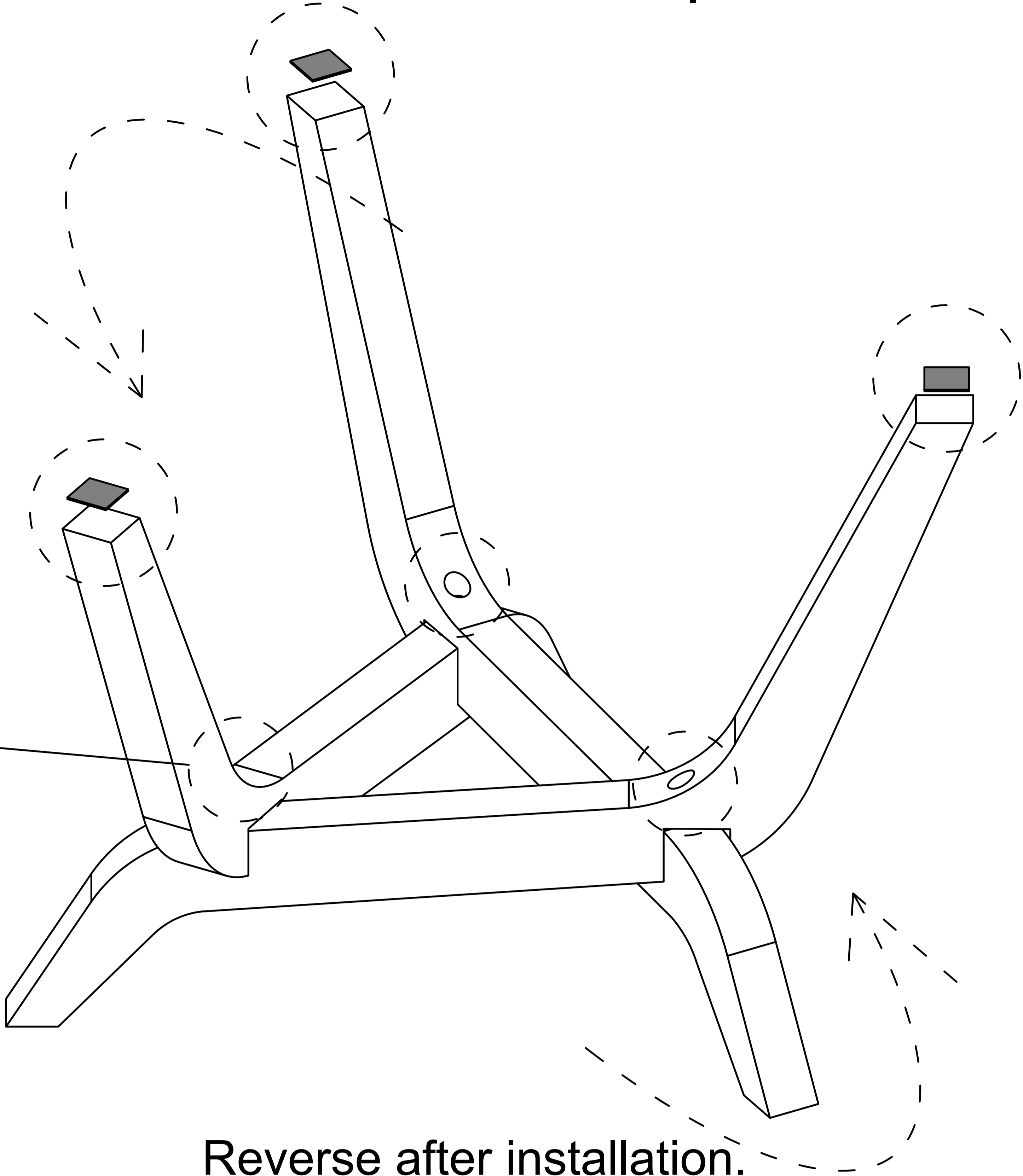
Step 3



Tear off release paper and stick the black foot pad on the board

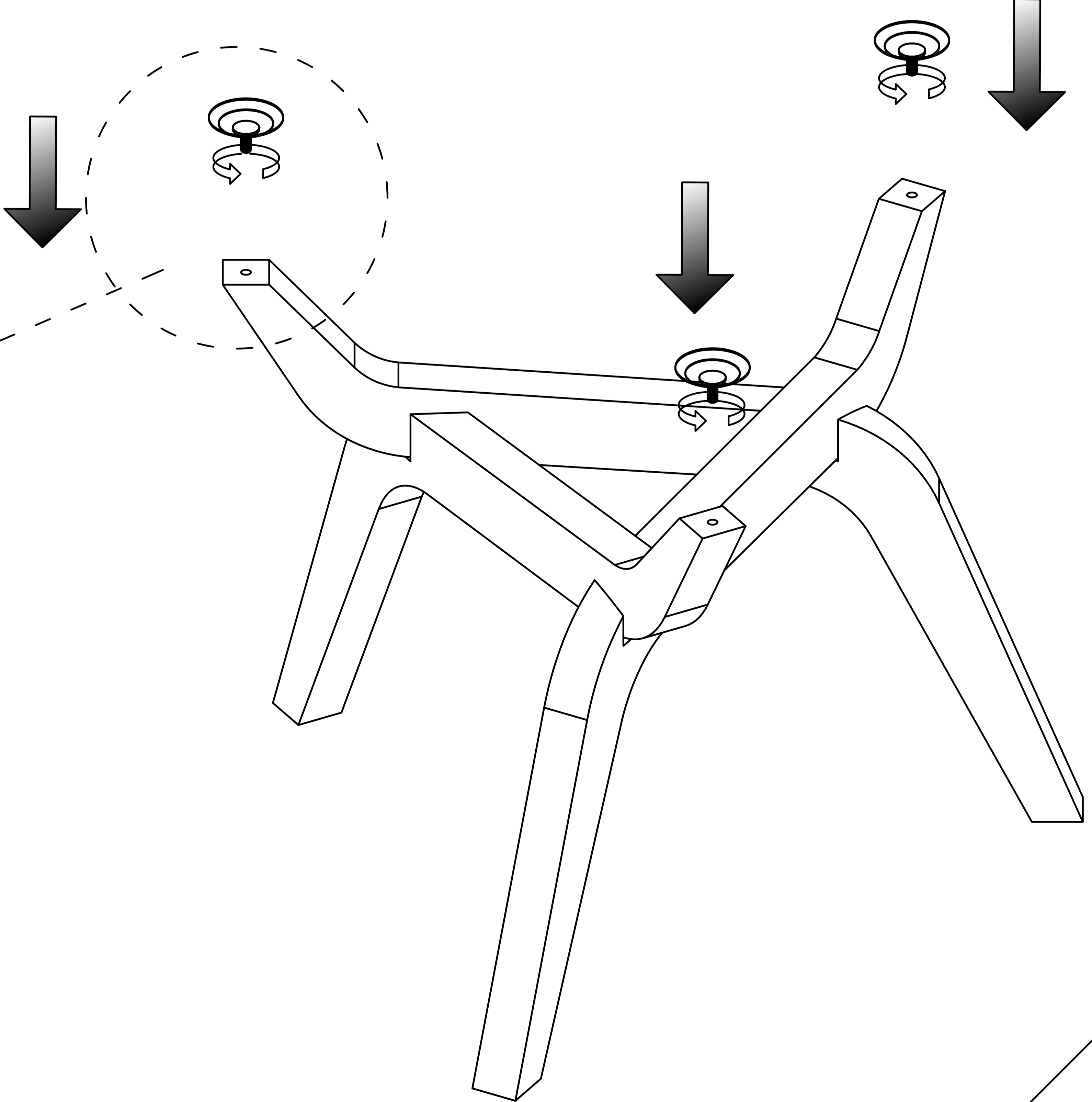
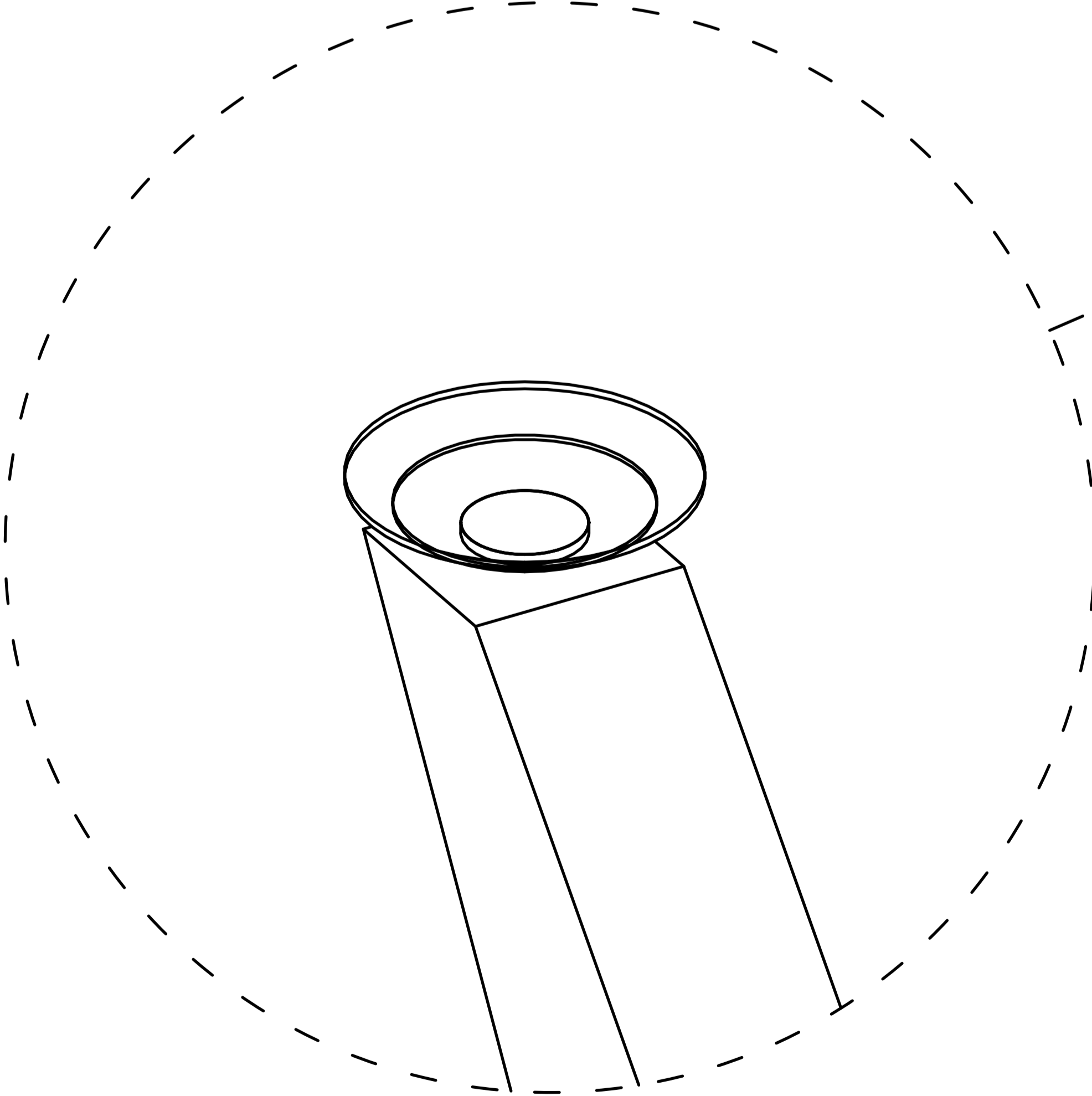
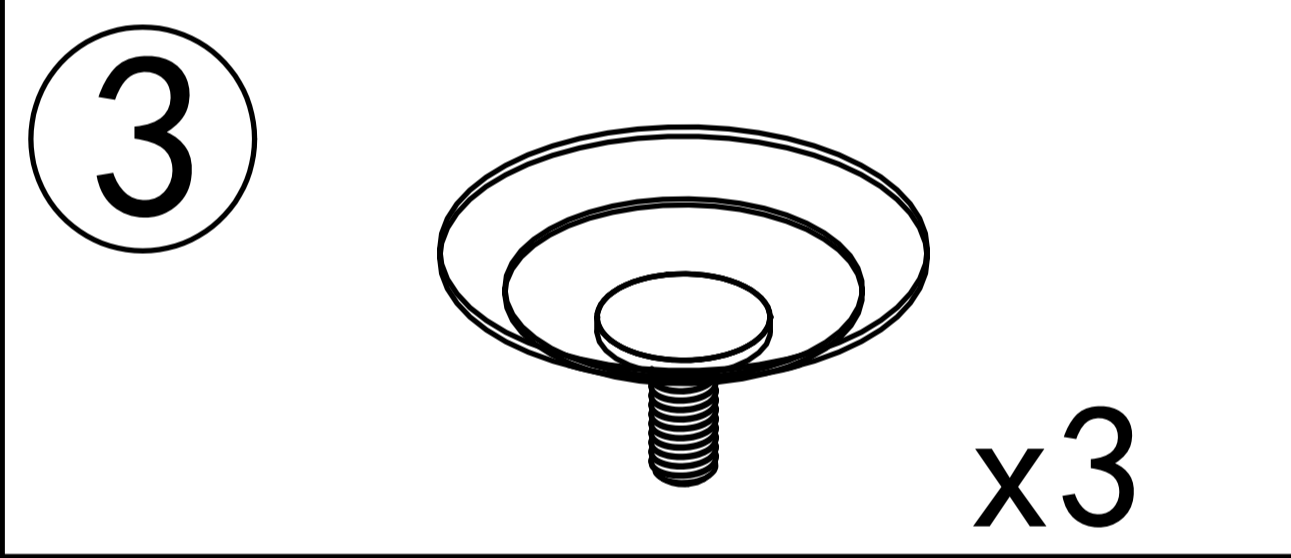


Tighten screws fully.

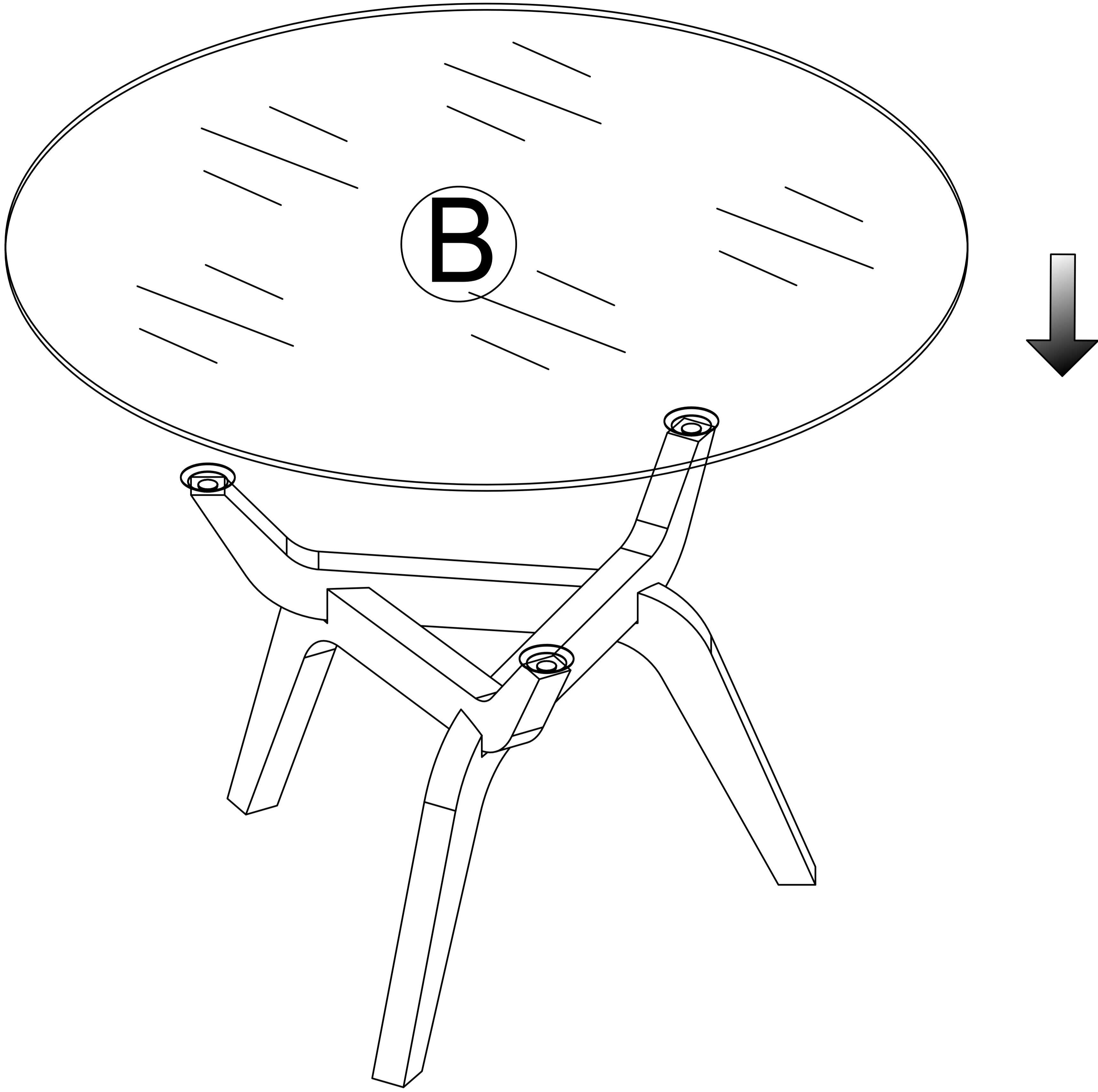


Reverse after installation.

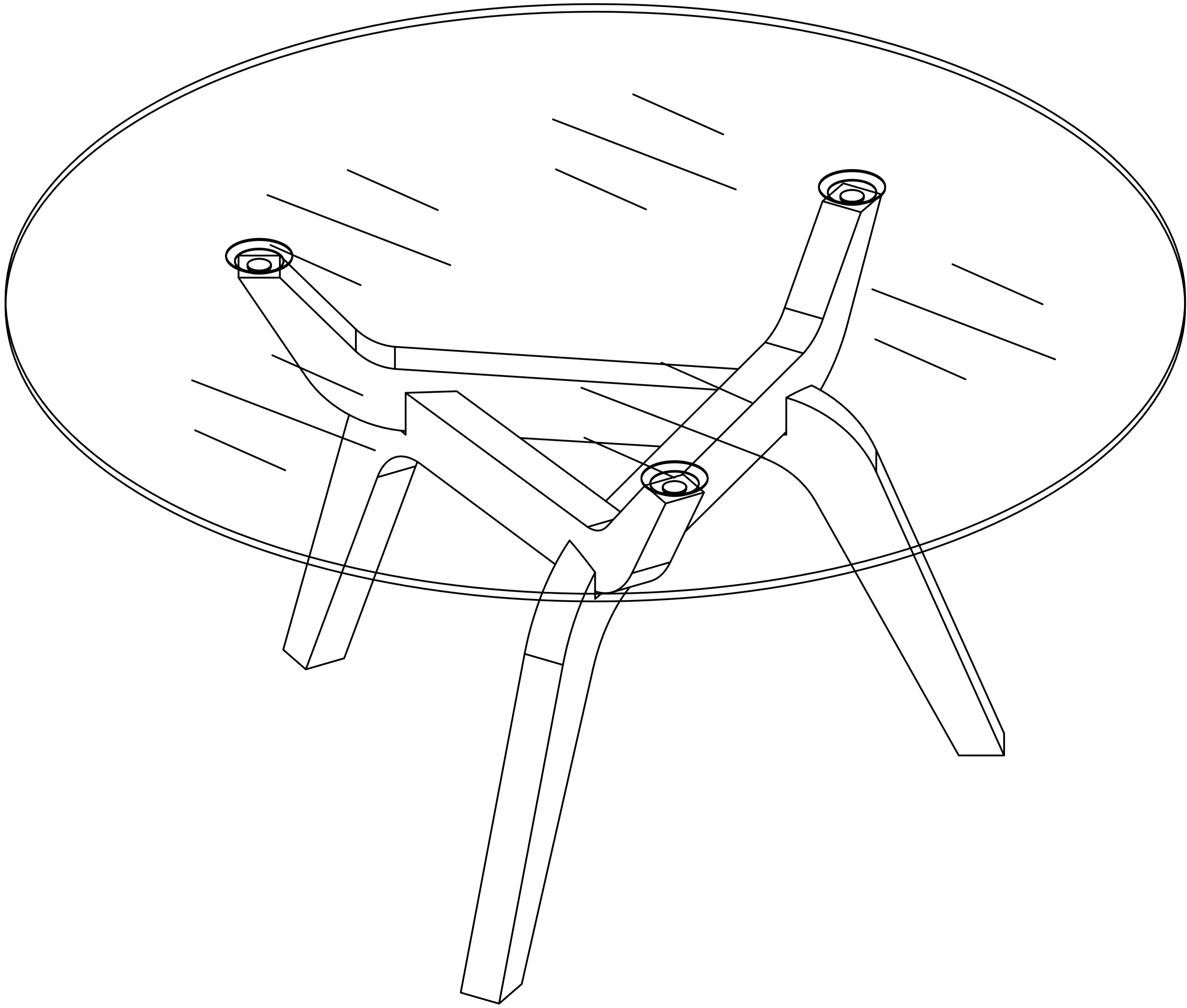
Step 4



Step 5



Step 6



Installation completed