



TTGSPACE

TTG SINKS

ABOUT US

Welcome to the official flagship store of TTG! We are dedicated to manufacturing multifunctional, high-quality sinks that embody the concept of a "smart kitchen." Unlike traditional ceramic sinks, our sinks are made from premium 304 stainless steel, offering numerous advantages. Firstly, they are easier to clean and have superior corrosion resistance and stain prevention capabilities. Additionally, our sinks boast a wider range of functionalities compared to traditional sinks.

Thank you for choosing the TTG brand. We are committed to providing you with excellent customer service. Feel free to inquire about and purchase our multifunctional sinks from the TTG brand at any time!

THREE TIG SMART SINKS



TOP 1 (GD)

Four-button Water Modes: Cup Washer Mode + Waterfall Mode + Faucet Mode + Waterfall Rain Mode

Digital Display Function

Soap Dispenser

Cup Washer

Pull-out Faucet

Filtered Water Faucet

Water Temperature Control

Countertop Drainage Control

Dual-Track Design

Noise Reduction Effect

Anti-Condensation Coating

TOP 2 (PRM)

Cup Washer

Pull-out Faucet

Filtered Water Faucet

Water Temperature Control

Countertop Drainage Control

Dual-Track Design

Noise Reduction Effect

Anti-Condensation Coating



TOP 3 (G3)

Two-button Water Modes: Faucet Mode + Waterfall Rain Mode

Digital Display Function

Cup Washer

Pull-out Faucet

Filtered Water Faucet

Water Temperature Control

Countertop Drainage Control

Dual-Track Design

Noise Reduction Effect

Anti-Condensation Coating



HIGHLIGHTED FEATURES

Premium Materials: Made of high-quality 304 stainless steel, this sink is resistant to scratches, making it easy to clean. Its commercial-grade satin finish ensures excellent corrosion resistance. The sink is coated with an anti-condensation layer, preventing moisture buildup and protecting cabinets from damage and deformation, ultimately extending its lifespan.

Multi-Functional Design: Firstly, this stainless steel sink offers multiple water outlet modes to meet various cleaning needs. Secondly, water temperature can be easily adjusted using buttons, which are accompanied by a smart digital display. Thirdly, the R-corner design ensures easy cleaning without any hard-to-reach angles. Lastly, the streamlined design facilitates quick drainage.

Large Capacity Sink: With a depth of 7.9 inches, this sink provides ample space and depth to accommodate large pots, pans, bowls, and glasses simultaneously, making it an ideal workstation sink for household use.



COOKING WITH ENHANCED EFFICIENCY

Our sink is designed for multitasking, allowing you to effortlessly defrost meat and wash vegetables simultaneously, or conveniently draining water while chopping vegetables.

Moreover, its generous length encourages shared household chores, creating opportunities for family members to work together, grow closer, and strengthen bonds.



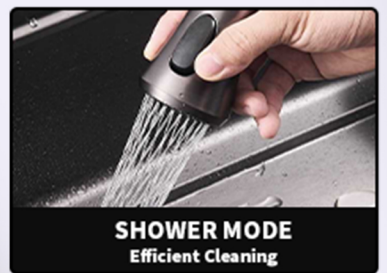
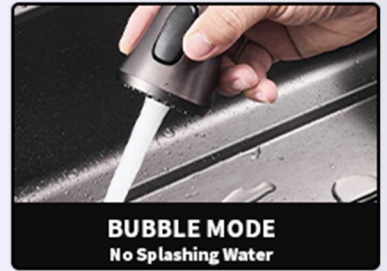
ACHIEVE FLEXIBILITY IN YOUR COOKING WITH DUAL-TRACK DESIGN

Immerse yourself in the convenience of our cutting-edge dual-track design, offering two adjustable levels to accommodate your unique requirements for positioning cutting boards or other sink accessories. Effortlessly optimize your workspace, elevating your cooking experience to new heights.

1+3 PULL-OUT FAUCET: VERSATILE AND CONVENIENT

With a single faucet offering three water flow modes, this versatile faucet meets all your cleaning needs. Its 360° rotation capability and 24-inch retractable hose provide exceptional flexibility, allowing you to easily reach and clean those hard-to-access corners of your sink. Enjoy the convenience and efficiency of our pull-out faucet, making your cleaning tasks a breeze.

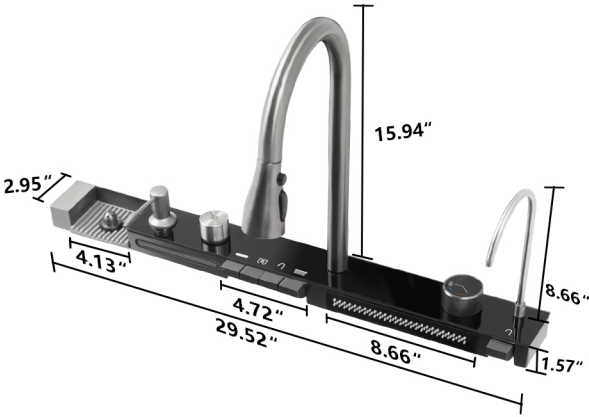
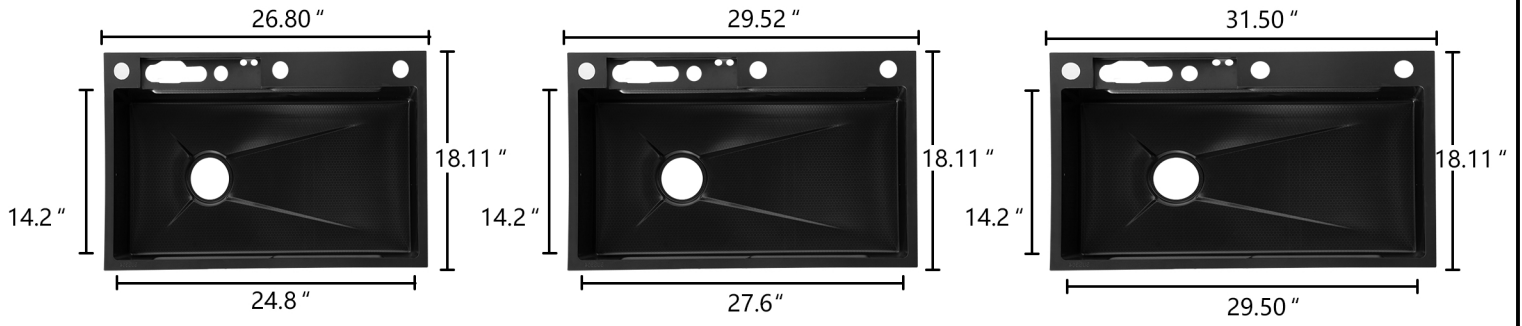
Extendable Up
24 inch



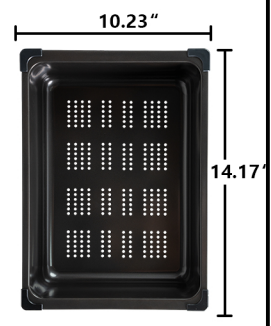
Can Rotate
360°



TTSPACE GD



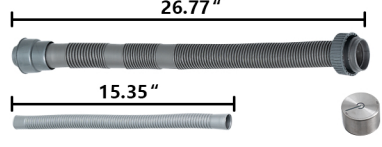
Stainless Steel Wash Basin*1



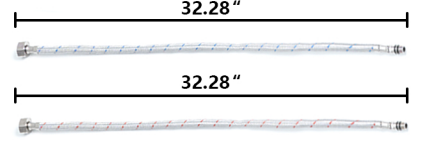
Draining Basin*1



Chopping Board*1



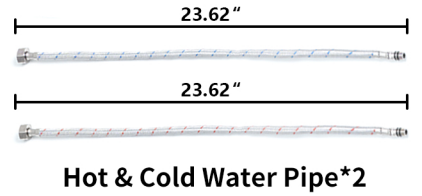
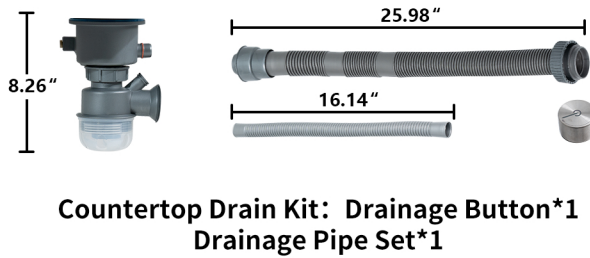
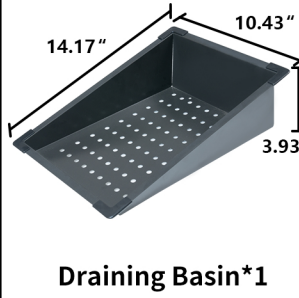
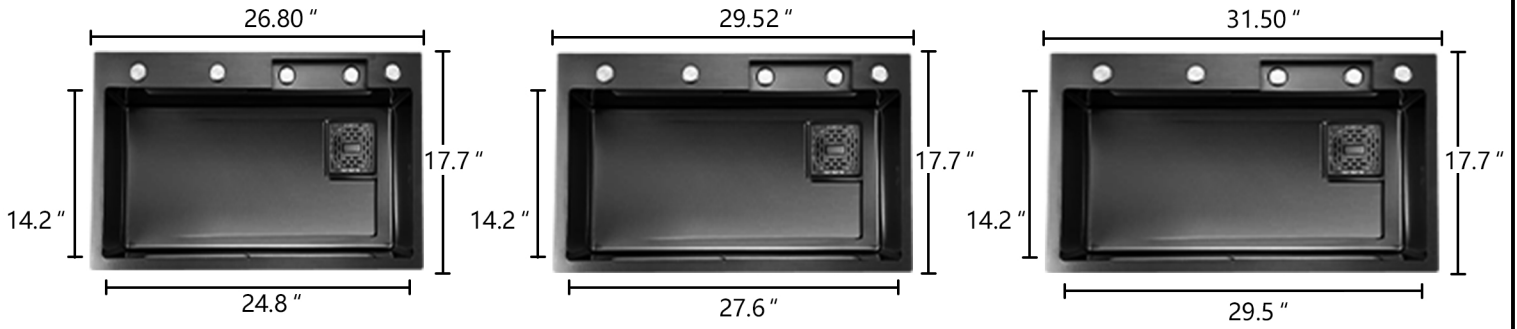
Countertop Drain Kit: Drainage Button*1 Drainage Pipe Set*1



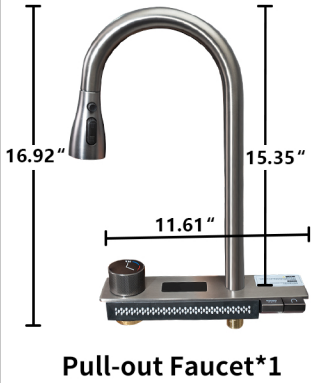
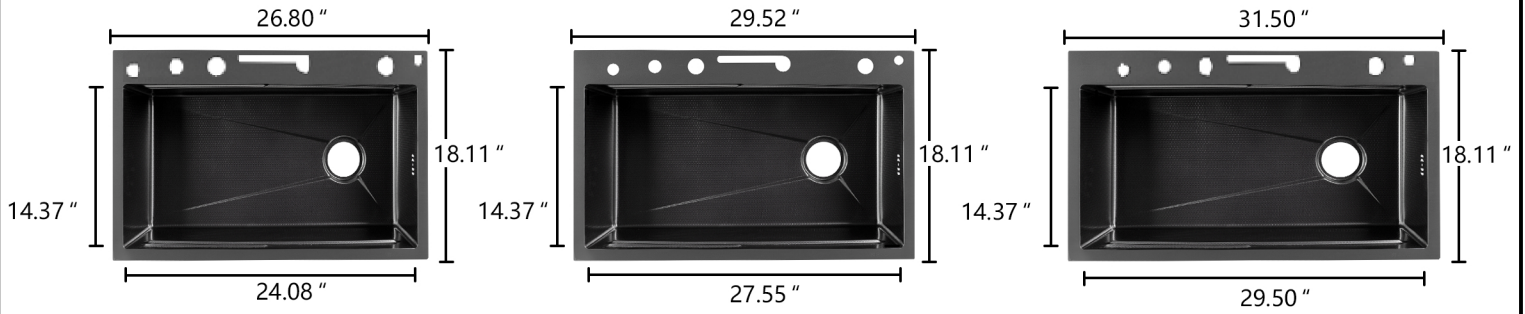
Hot & Cold Water Pipe*2



TTSPACE PRM



TTSPACE G3



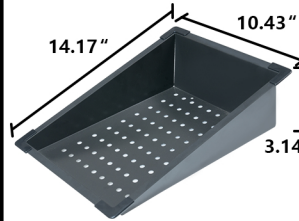
Pull-out Faucet*1



Filtered Water Faucet*1



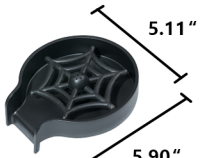
Stainless Steel Wash Basin*1



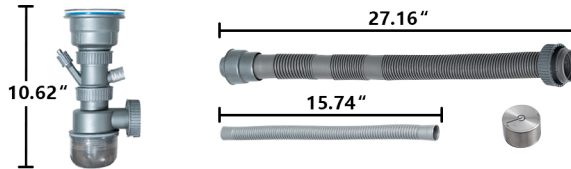
Draining Basin*1



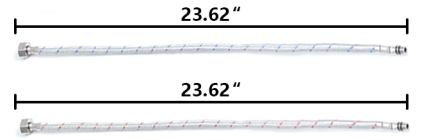
Chopping Board*1



Cup Washer*1



**Countertop Drain Kit: Drainage Button*1
Drainage Pipe Set*1**



Hot & Cold Water Pipe*2



INSTRUCTIONS FOR INSTALLATION

We provide a detailed installation manual and professional installation videos.



(TTG-GD)



(TTG-G3)



(TTG-PRM)