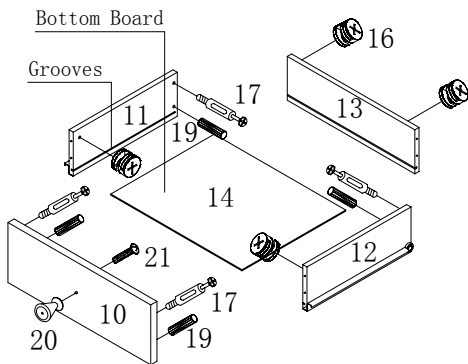


# ASSEMBLY INSTRUCTION STANDING CABINET

Thank you for purchasing this quality product. Be sure to check all packing material carefully for small parts that may have come loose inside the carton during shipment.

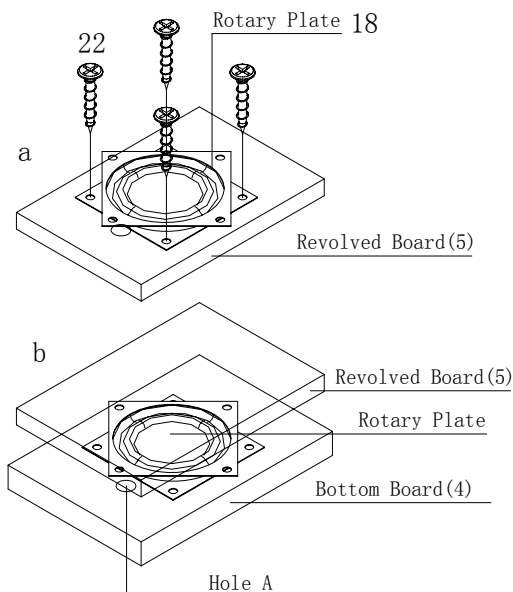
## STEP 1

- Attach the Panel (13) to Panel (11) & Panel (12) through the Camlock Screws (17) & the Dowels (19) as shown
- Slide the Bottom Board (14) of the drawer into the pre-cut grooves of the Panel (11&12)
- Attach the Panel (10) to the Panel (11) & Panel (12) through the Camlock Screws (17) & the Dowels (19) as shown
- Attach the Handle (20) with the Handle Screws (21)





## STEP 2

- Turn the Rotary Plate (18) in the crossing position
- Attach the Rotary Plate (18) onto the Revolve Board (5) with the Screws (22)
- With the Revolve Board (5) upside down and the Rotary Plate (18) attached on it turn to the crossing position
- Attach the other side of the Rotary Plate (18) onto Bottom Board (4) through the Hole A with Screws (22)



## TOOLS REQUIRED (NOT PROVIDED)

- PHILLIPS SCREWDRIVER 
- RUBBER Mallet 

NO.	PARTS	SIZE	QTY	PICTURE
1	Top Board	440*289*35	1PC	
2	Left Panel	1675*288*35	1PC	
3	Right Panel	1675*288*35	1PC	
4	Bottom Board	440*289*35	1PC	
5	Revolve Board	460*309*41	1PC	
6	Top Drawer panel	368*269*15	1PC	
7	Bottom Drawer panel	368*269*15	1PC	
8	Shelve 1	368*269*15	1PC	
9	Shelve 2	368*269*15	1PC	
10	Face Board Of Drawer	362*150*15	1PC	
11	Left Board Of Drawer	250*100*15	1PC	
12	Right Board Of Drawer	250*100*15	1PC	
13	Back Board Of Drawer	312*100*15	1PC	
14	Bottom Board Of Drawer	323*243*5	1PC	
15	Back Board, Mirror	1675*368*20	1PC	
16	Camlock	20PCS		
17	Camlock Screws	20PCS		
18	Rotary Plate	1PC		
19	Dowels	40PCS		
20	Handle	1PC		
21	Handle Screws	1PC		
22	Revolve Screws	8PCS		
23	Nut Caps	8PCS		

### IMPORTANT

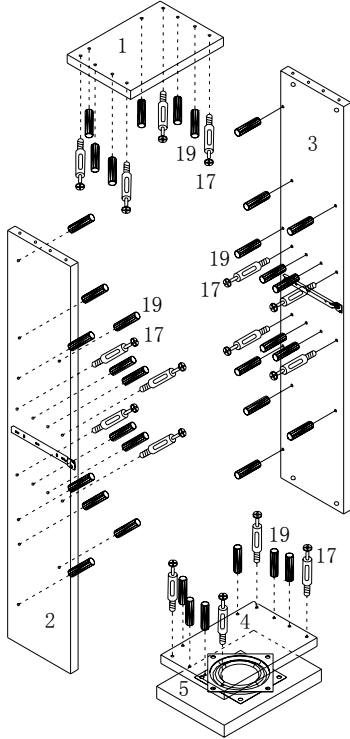
Always ensure that arrow on Camlock is pointing towards Camlock Screw.  
Turn Camlock clockwise until tight



Made in china

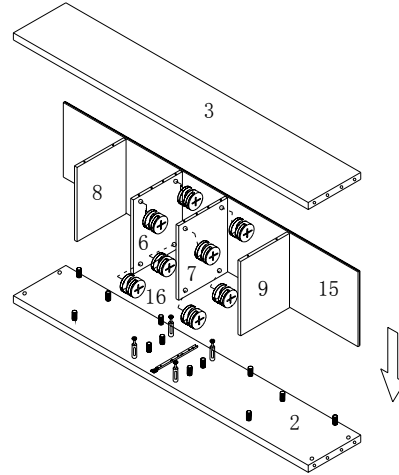
**STEP 3**

-Insert the Camlock Screws (17) & the Dowels (19) into the Panel (1), Panel (4), Panel (2), Panel (3) as shown



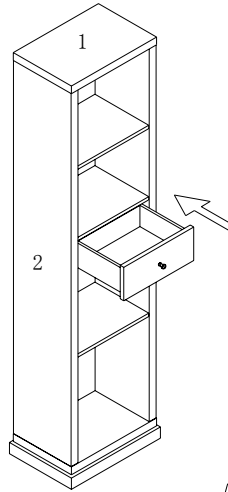
**STEP 4**

-Lay the Panel (2) on the floor  
 -Attach Panel (6), Panel (7), Panel (8) & Panel (9) on the Panel (2) as shown  
 -Finally, attach Panel (3) onto Panel (6, 7, 8, 9) as shown  
 -Lock the Camlock Screws (17) with the Camlocks (16) as shown



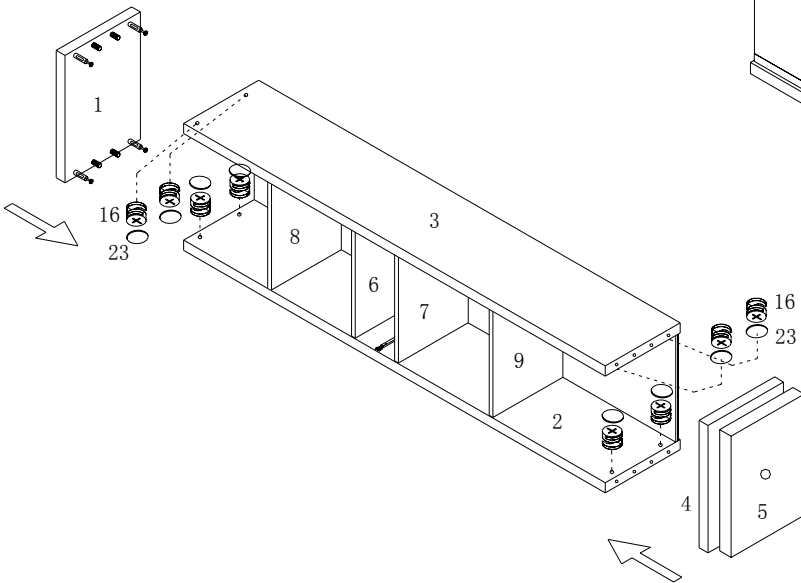
**STEP 6**

-Slide the Drawer in place

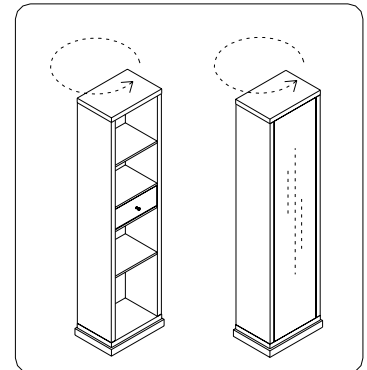


**STEP 5**

-Attach Top Board (1) & Bottom Board (4) onto Panel (2) & Panel (3)  
 -Lock the Camlock Screws (17) with the Camlocks (16) as shown  
 -Seal the Camlocks with the Nut Caps (23)



**FINAL**



**IMPORTANT**

Always ensure that arrow on Camlock is pointing towards Camlock Screw.  
 Turn Camlock clockwise until tight

