

Modern Contemporary Hanging Glass Chandelier

Caution: Please turn off power before installation and read the manual carefully, we advise you contact professional electricians to install for safety purpose.

Product Features

Style: Modern /Contemporary

Material: Metal/Glass

Color: Clear

Base Type: E12

Light Source Included: No

Voltage: 110V AC

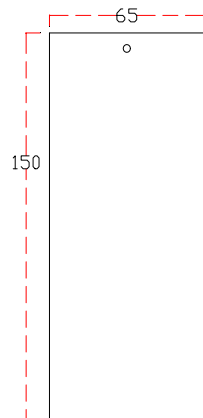
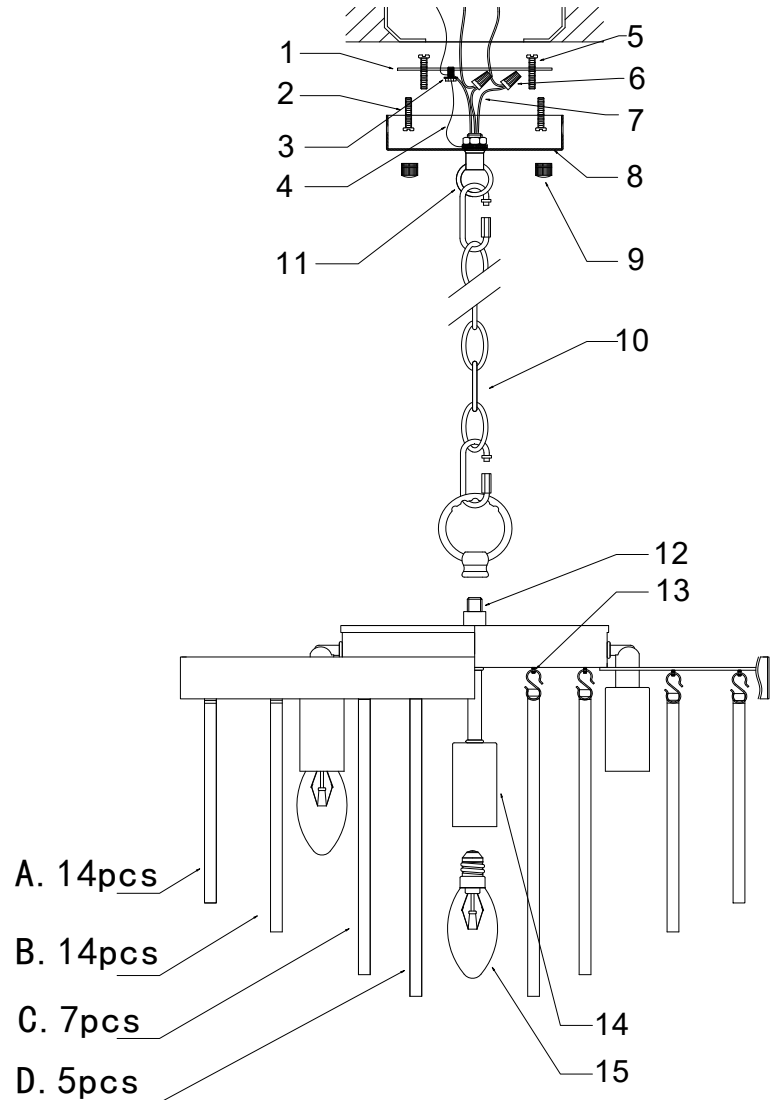
Wattage: 60W Max

Package includes

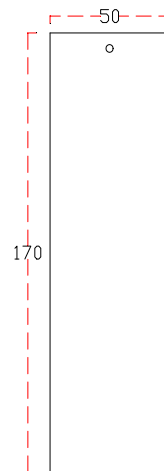
1 x Chandelier Light

1 x Accessories Kit

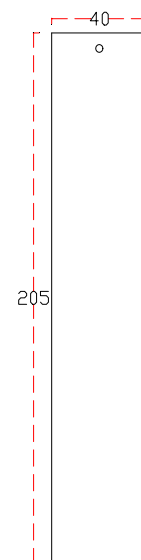
1 x User's Manual



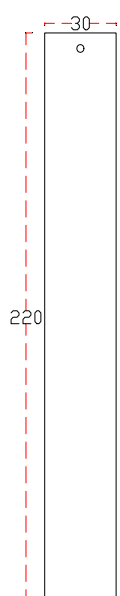
A.
14pcs



B.
14pcs



C.
7pcs



D.
5pcs

Unit:MM

Installation Instructions

A. Firstly, fix the chain connector(11) and the ground wire (4) onto the canopy(8);Pass the main wire through the bottom ring on the hanging chain(10), then tighten the ring onto the thread (12), and then pass the main wire(7) through the center hole of the canopy (8).

B. Fasten the ceiling plate(1) to the junction box using the junction box screws (2).

C. Connect the positive pole(L) of the main wire (7) to the positive pole (+) of the junction box wire with the terminal cap (6). Similarly, connect the negative pole(N) to the negative pole (-) with the terminal cap (6). Be careful not to expose the wire to prevent leakage.Be careful not to expose the wire to prevent leakage. Use the green screw (3) to fix the fixture ground wire(green one and bronze one) (4),main wire and the external ground wire to the ceiling plate (1).

D. Pass the canopy (8) through the screw (5), then tighten the cap nut(9) to fix the lamp; finally, twist the light bulb (not included) (15) onto the lamp holder (14) as indicated.

E. Put up the glass shades from the outside layer to the inside layer, 4 layers in total for this light fixture. Please note that from **outside to the inside**, the **number** of the glass shades needed for for each layer should be **15 pcs(glass parts A,size 150 x 65 mm), 15 pcs(glass shade B ,size 170 x 50 mm), 7 pcs(glass shade C,size 205 x 40mm),5pcs(glass shade D,size 220 x 30mm).**

Note: please use this product accordingly to its intended purpose, do not retrofit or remodeling the product. The warranty does not cover if the failure is caused by the third party product, or natural disasters.

Made in China

Modern Contemporary Ceiling Flush Mount Chandelier

Caution: Please turn off power before installation and read the manual carefully, we advise you contact professional electricians to install for safety purpose.

Product Features

Style: Modern /Contemporary

Material: Metal/Glass

Color: Clear

Base Type: E12

Light Source Included: No

Voltage: 110V AC

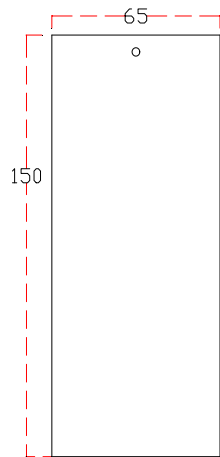
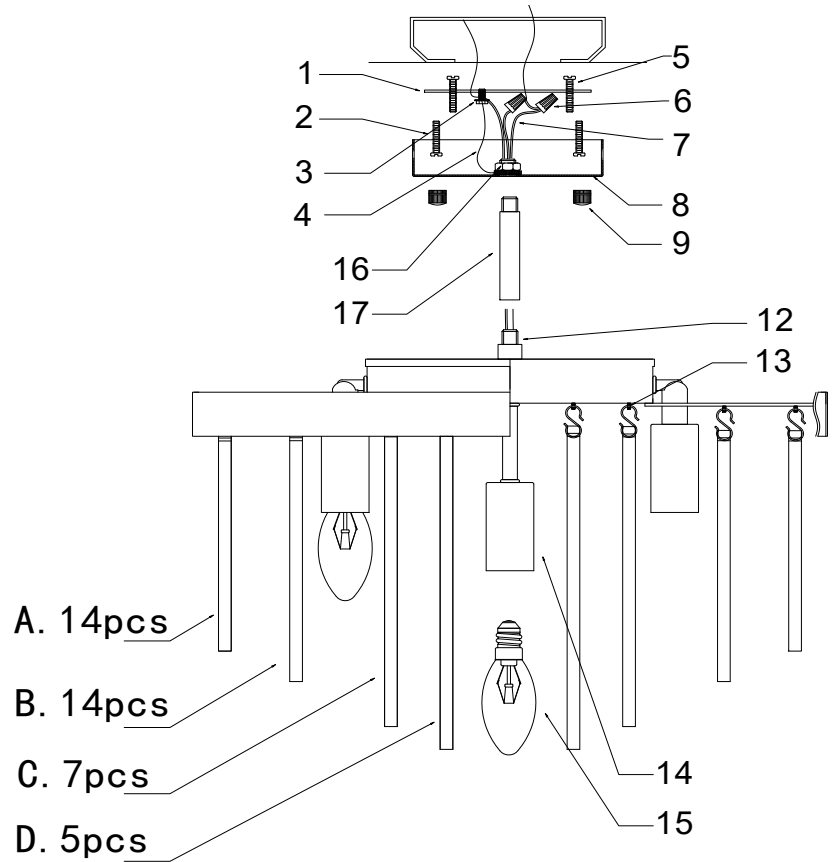
Wattage: 60W Max

Package includes

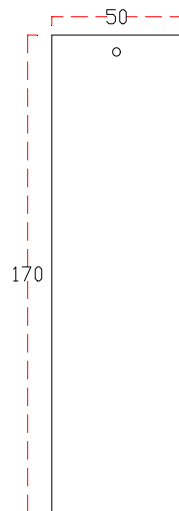
1 x Ceiling Chandelier Light

1 x Accessories Kit

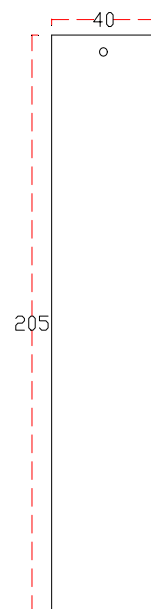
1 x User's Manual



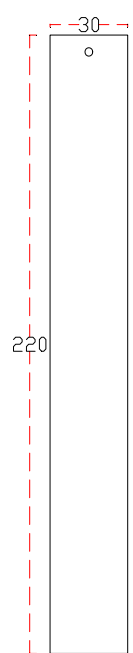
A.
14pcs



B.
14pcs



C.
7pcs



D.
5pcs

Unit:MM

Installation Instructions

A. Pass the ground wire (4), main wire (7) through the pole (17), canopy (8) and tighten them on the thread (12); use the nut washer (16) to fix the canopy (8) and ground wire (4) on the pole (17).

B. Fasten the ceiling plate(1) to the junction box using the junction box screws (2).

C. Connect the positive pole(L) of the main wire (7) to the positive pole (+) of the junction box wire with the terminal cap (6). Similarly, connect the negative pole(N) to the negative pole (-) with the terminal cap (6). Be careful not to expose the wire to prevent leakage.Be careful not to expose the wire to prevent leakage. Use the green screw (3) to fix the fixture ground wire(green one and bronze one) (4),main wire and the external ground wire to the ceiling plate (1).

D. Pass the canopy (8) through the screw (5), then tighten the cap nut(9) to fix the lamp; finally, twist the light bulb (not included) (15) onto the lamp holder (14) as indicated.

E. Put up the glass shades from the outside layer to the inside layer, 4 layers in total for this light fixture. Please note that from **outside to the inside**, the **number** of the glass shades needed for for each layer should be **15 pcs(glass parts A,size 150 x 65 mm), 15 pcs(glass shade B ,size 170 x 50 mm), 7 pcs(glass shade C,size 205 x 40mm),5pcs(glass shade D,size 220 x 30mm).**

Note: please use this product accordingly to its intended purpose, do not retrofit or remodeling the product. The warranty does not cover if the failure is caused by the third party product, or natural disasters.

Made in China