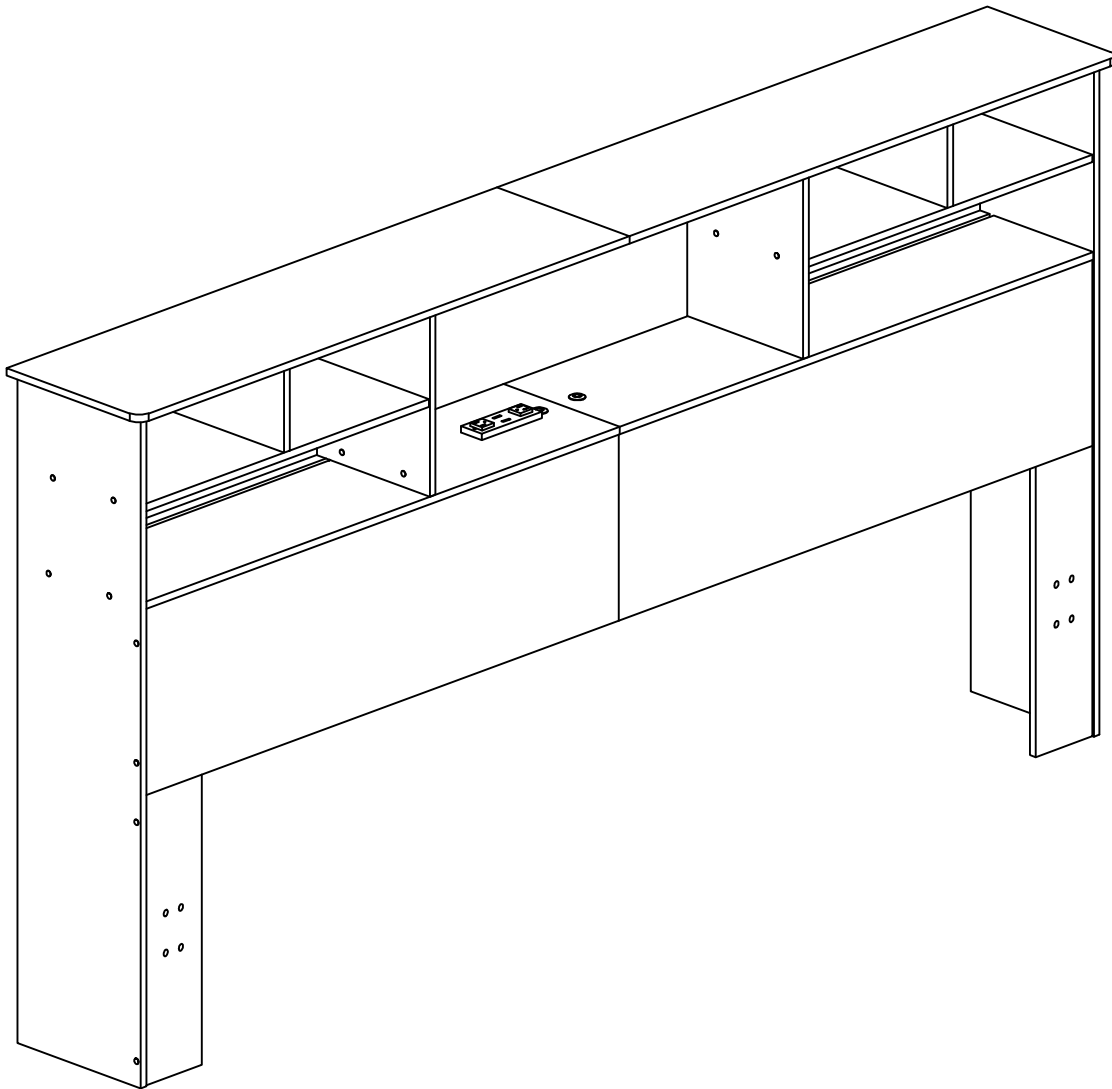


# Assembly Manual

## Bookcase Headboard

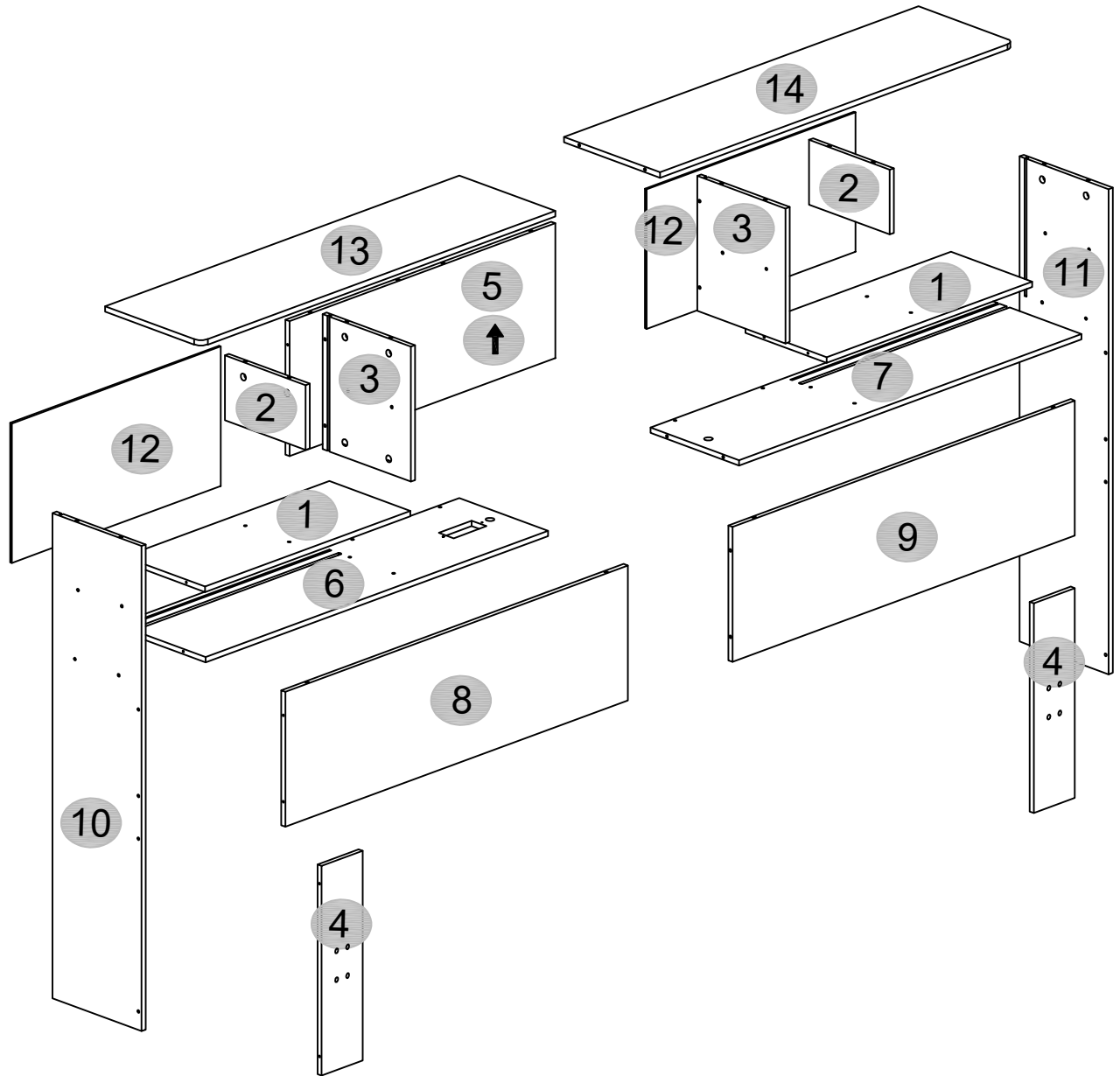
### HB001(Queen Size)



Please read this manual carefully before any operation and keep it properly for future use.

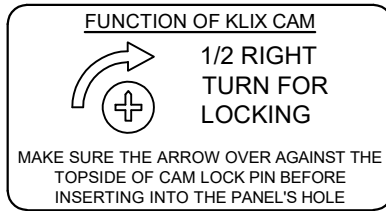
Customer Service: [service@sunoft.com](mailto:service@sunoft.com)

# Exploded View



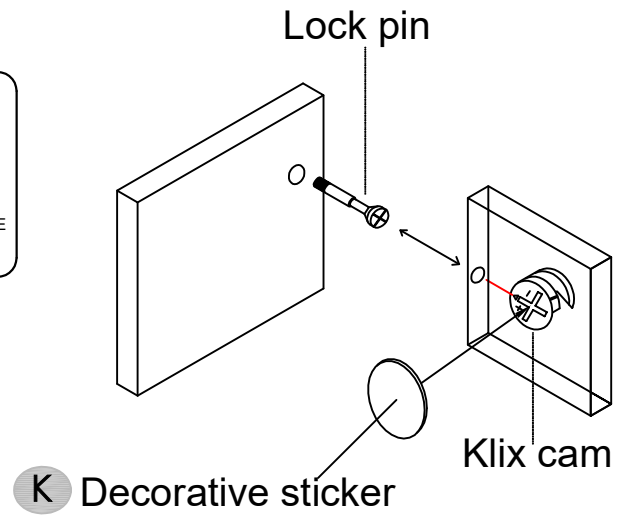
# Warnings

## ATTENTION:

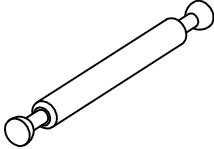
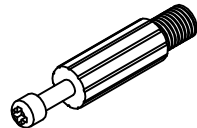
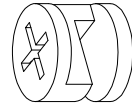
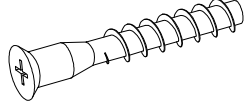
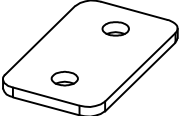

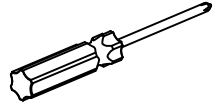
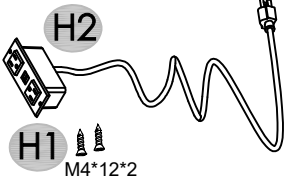
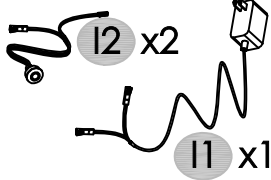

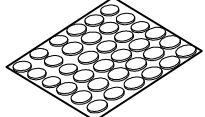
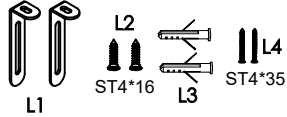


### IMPORTANT!

After 180° right turn, if there is a gap between the boards, please check whether the cam lock pin is tightened enough.



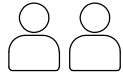
# Components List

			
<b>A</b> M5*64(*6)	<b>B</b> M6*40(*24+2)	<b>C</b> $\varnothing 15*9.5(*36+2)$	<b>D</b> M5*40(*32+2)
			
<b>E</b> 50*30*3(*3)	<b>F</b> M6*12(*6+1)	<b>G</b> Screwdriver(*1)	<b>H</b> Power socket and screws(*1)
			
<b>I</b> Touch dimmer button and power cord	<b>J</b> Cable tie(*2)	<b>K</b> Decorative sticker(*1)	<b>L</b> Anti-tip kit(*1)

# Components List

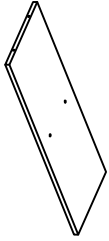
45min

Assembly Time



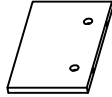
Two People

1



2PCS

2



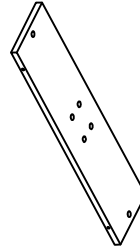
2PCS

3



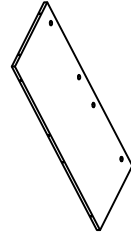
2PCS

4



2PCS

5



1PC

6



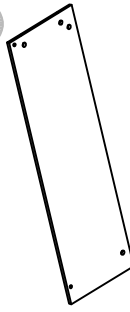
1PC

7



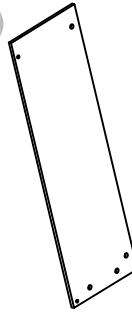
1PC

8



1PC

9



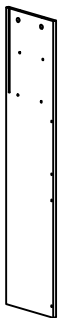
1PC

10



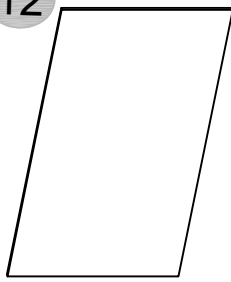
1PC

11



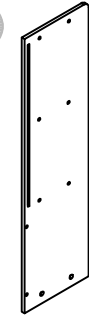
1PC

12



2PCS

13



1PC

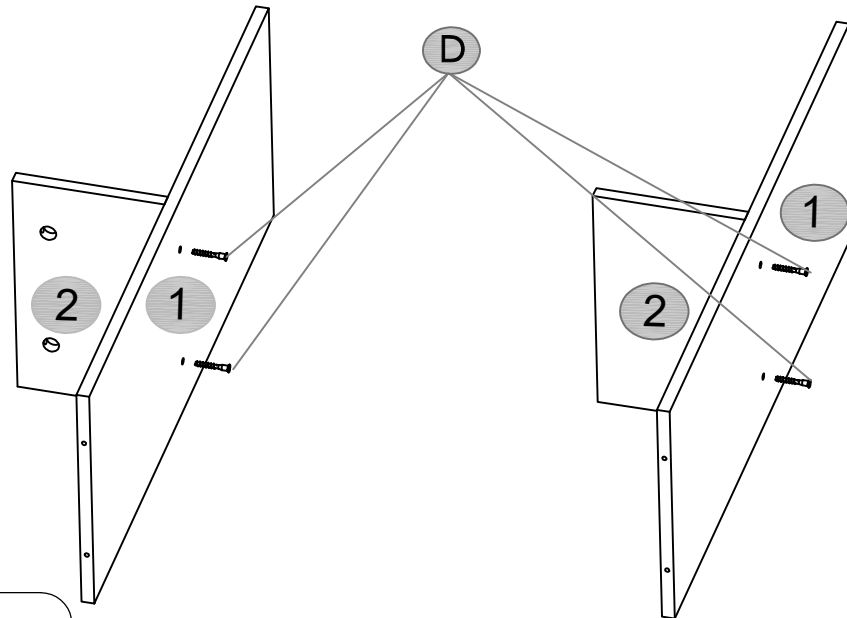
14



1PC

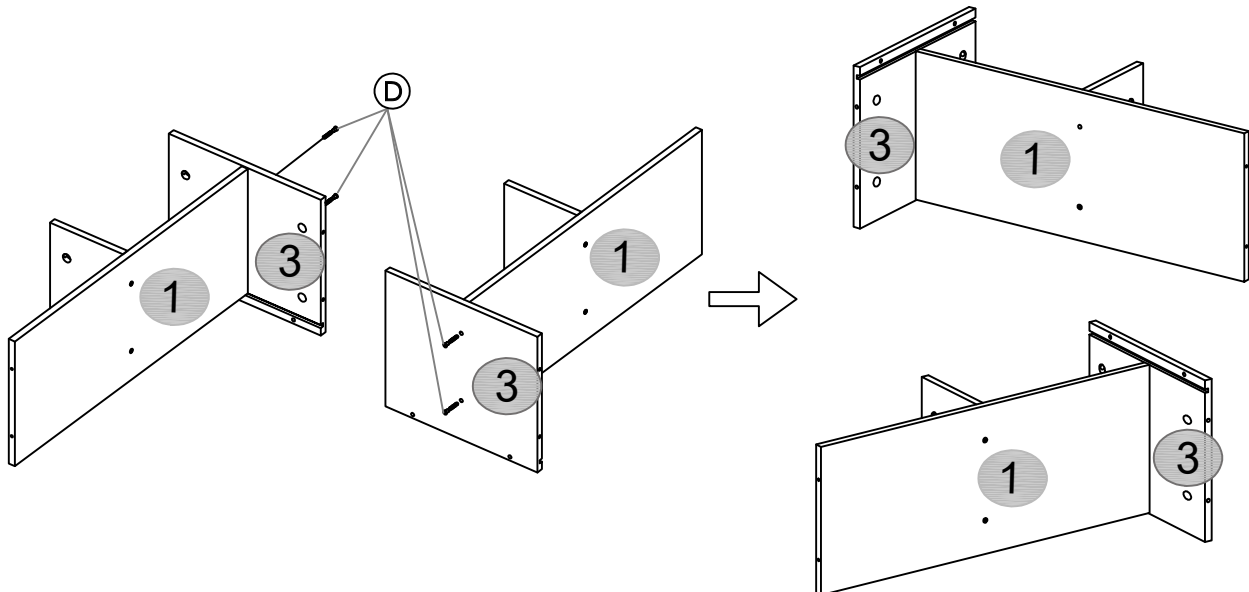
# Assembly Instruction

**STEP 1** Attach boards(2) to boards(1) using screws(D) and screwdriver(G).



**D**  X 4

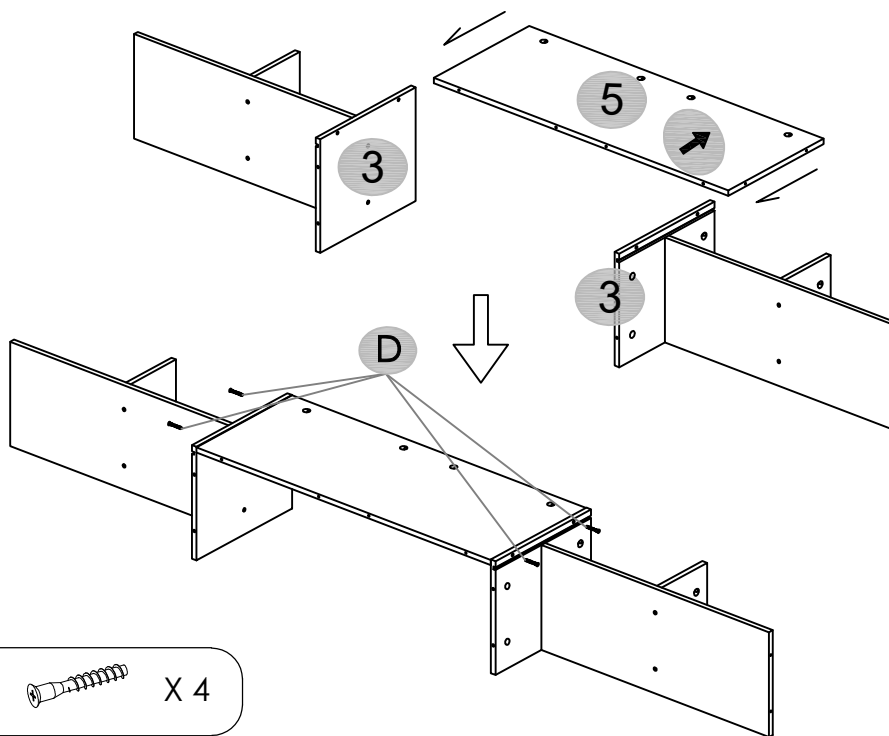
**STEP 2** Attach board(3) to board(1) using screws(D). Then place them as shown on the right side in the diagram below.




**D**  X 4

# Assembly Instruction

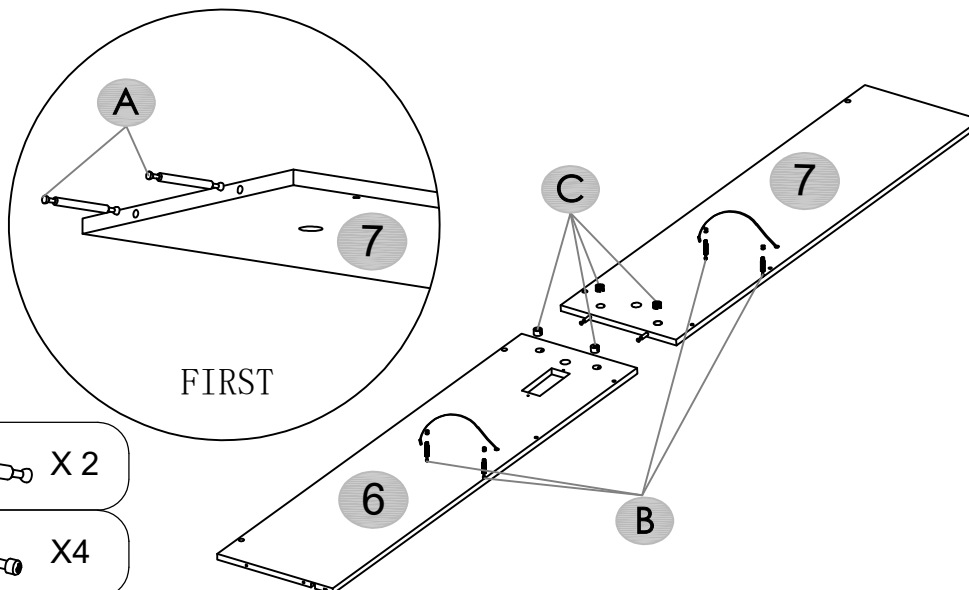
**STEP 3** Attach board(5) to boards(3) using screws(D) as shown in below.




**D**  X 4

**STEP 4**

Insert the cam lock pins (A) into the holes on board (7). Then lock them in place by turning the Klix cams (C). Insert the pins into the holes on board (6) as well and secure them by turning the Klix cams (C). Refer to the warning on page 1 for proper use of the Klix cams. Screw cam lock pins(B) into holes on boards(6 & 7) as shown below.



**A**  X 2

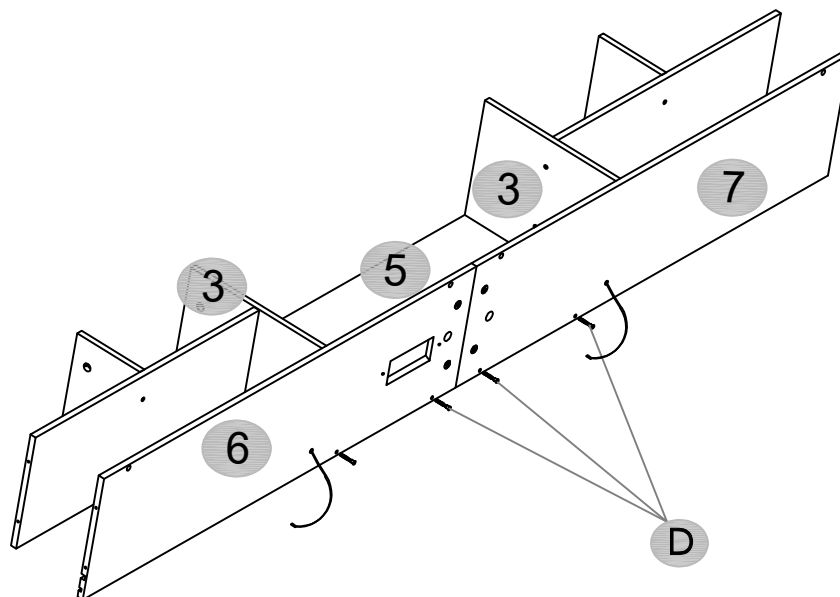
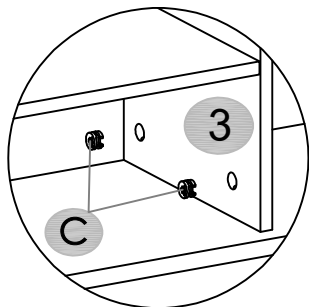
**B**  X 4

**C**  X 4

# Assembly Instruction

## STEP 5

Attach boards(6&7) to boards(3) and lock them in place by turning the Klix cams (C).  
Attach boards(6&7) to board(5) using screws(D).

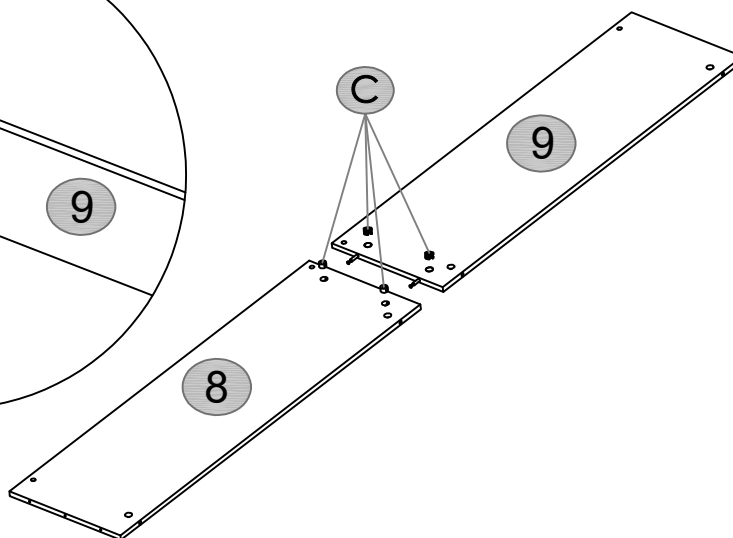
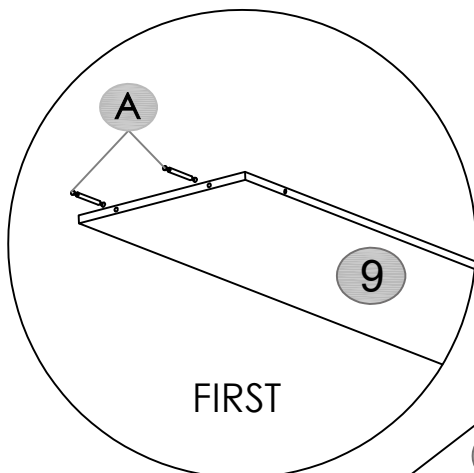


C  X 4

D  X 4

## STEP 6

Insert the cam lock pins (A) into the holes on board (9). Then lock them in place by turning the Klix cams (C). Insert the pins into the holes on board (8) as well and secure them by turning the Klix cams (C). Refer to the warning on page 1 for proper use of the Klix cams.

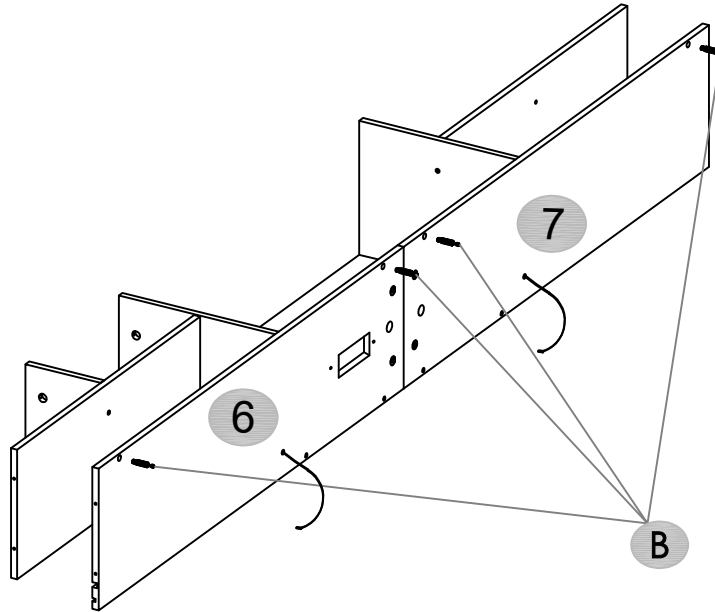


A  X 2

C  X 4

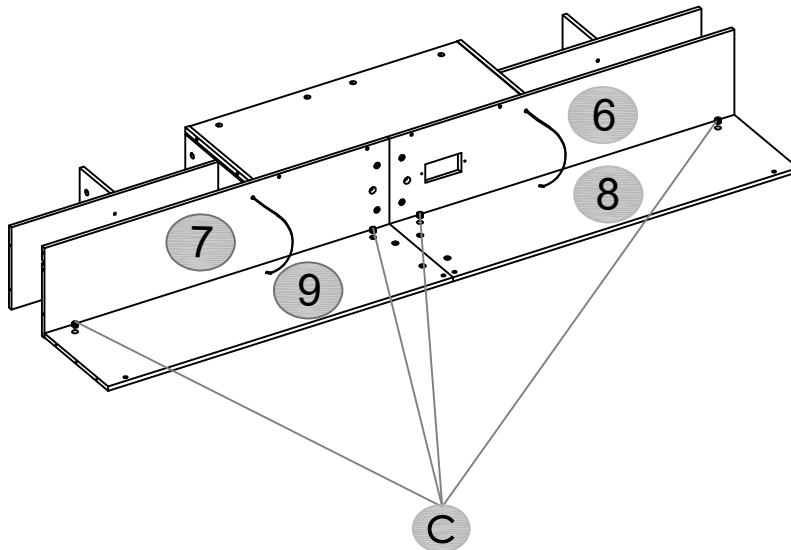
# Assembly Instruction

**STEP 7** Screw cam lock pins(B) into holes on boards(6 & 7) as shown below.



**B**  X4

**STEP 8** Attach boards(9&8) to boards(7&6) and lock them in place by turning the Klix cams (C).

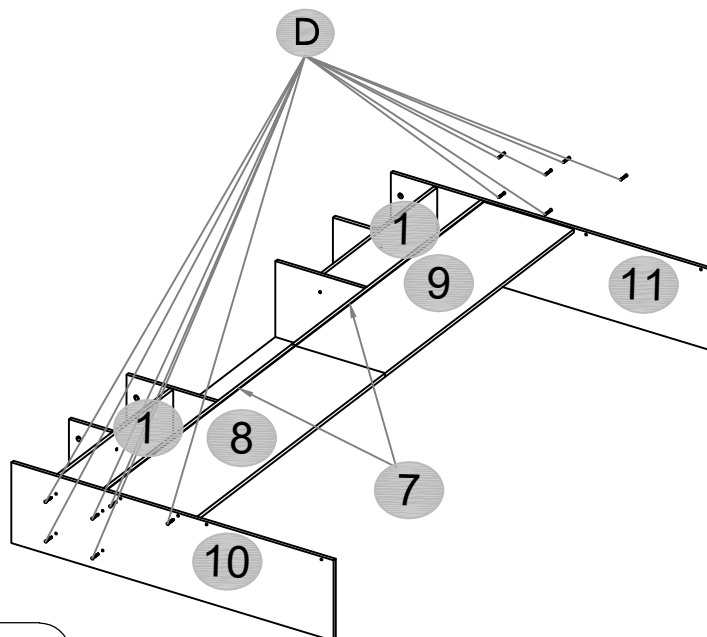


**C**  X4

# Assembly Instruction

## STEP 9

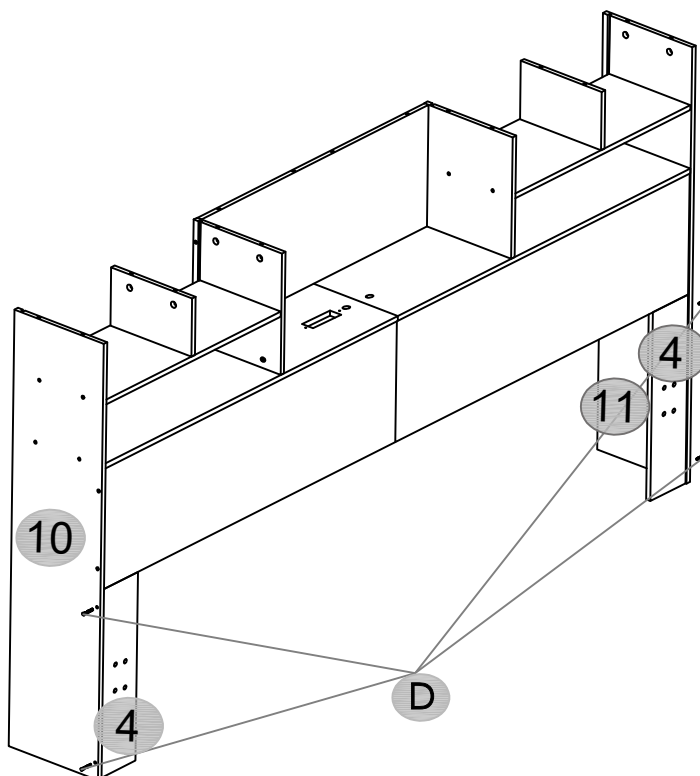
Attach board(10) to board(1,8&7) using screws(D), and attach board (11) to board(1,9&7) using screws(D) as shown below.



**D**  X12

## STEP 10

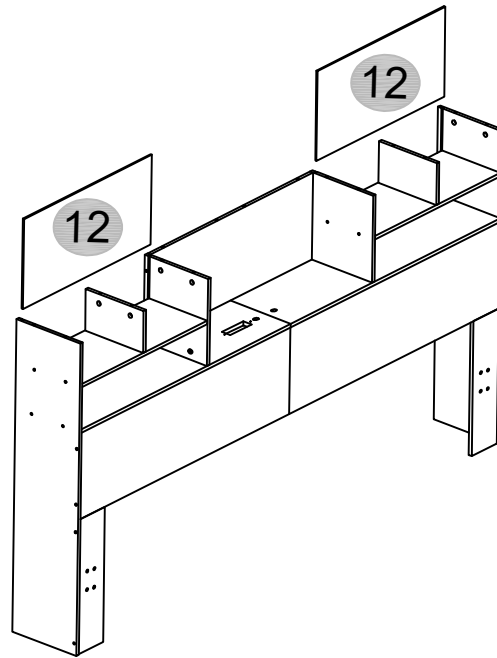
Attach board(4) to board (10) and attach another board(4) to board (11) using screws(D) as shown below.



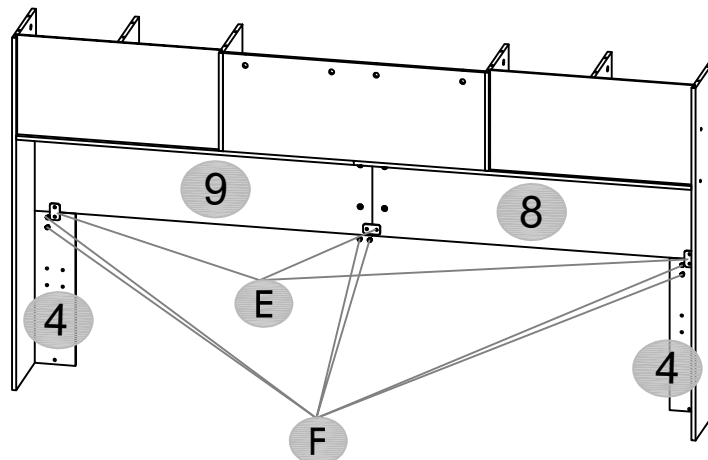
**D**  X4

# Assembly Instruction

**STEP 11** Insert boards(12) into the slots as shown below.



**STEP 12** Secure boards(9,8 and 4) using connectors(E) and bolts(F).



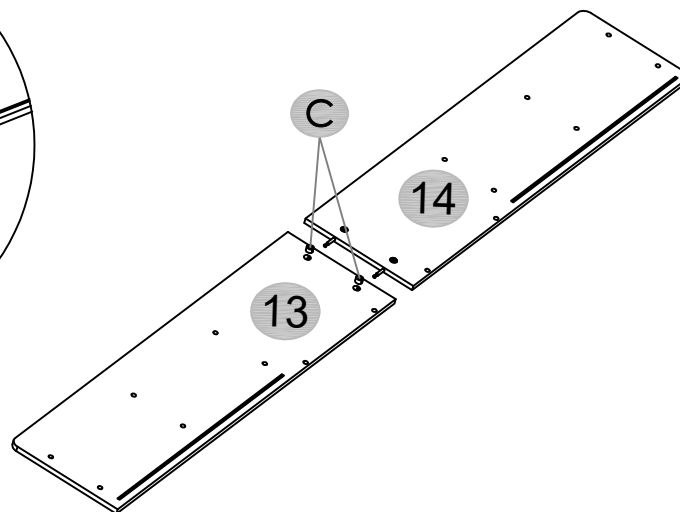
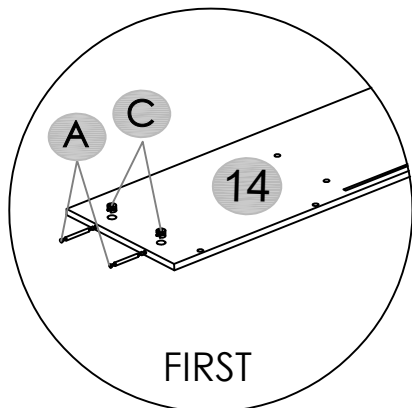
**E**  X 3

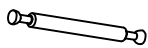
**F**  X 6

# Assembly Instruction

## STEP 13

Insert the cam lock pins (A) into the holes on board (14). Then lock them in place by turning the Klix cams (C). Insert the pins into the holes on board (13) as well and secure them by turning the Klix cams (C). Refer to the warning on page 1 for proper use of the Klix cams.

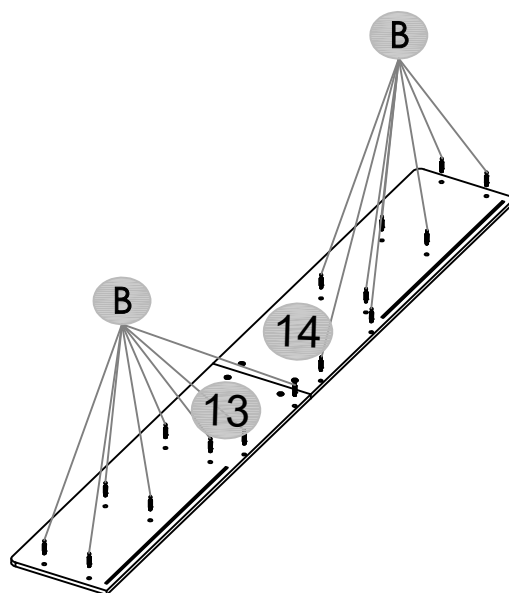


A  X 2

C  X 4

## STEP 14

Screw cam lock pins (B) into the holes on boards (13 & 14). Pay attention to the hole positions, don't use the wrong holes.

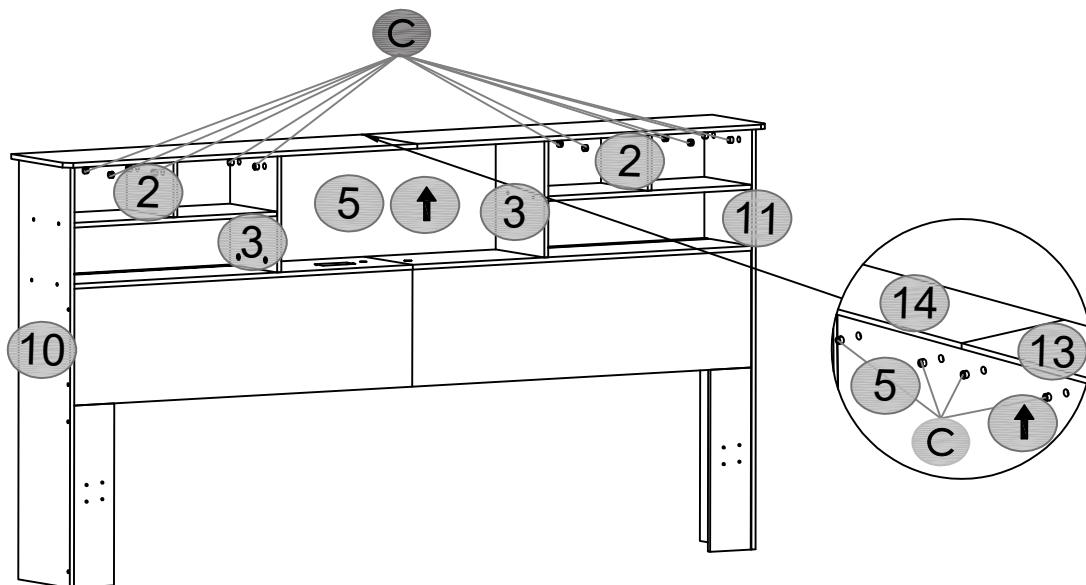


B  X 16

# Assembly Instruction

## STEP 15

Attach boards(13&14) as top panels. Lock them in place using Klix cams(C) as shown below.



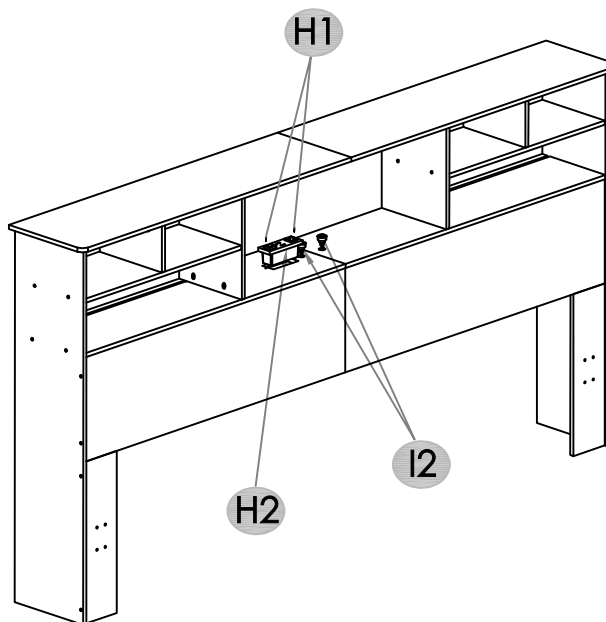
C



X 16

## STEP 16

Place the power socket(H2) using the screws(H1) as shown below.  
Place the touch dimmer buttons(I2) near the power socket as shown below.



H



X 1

I2

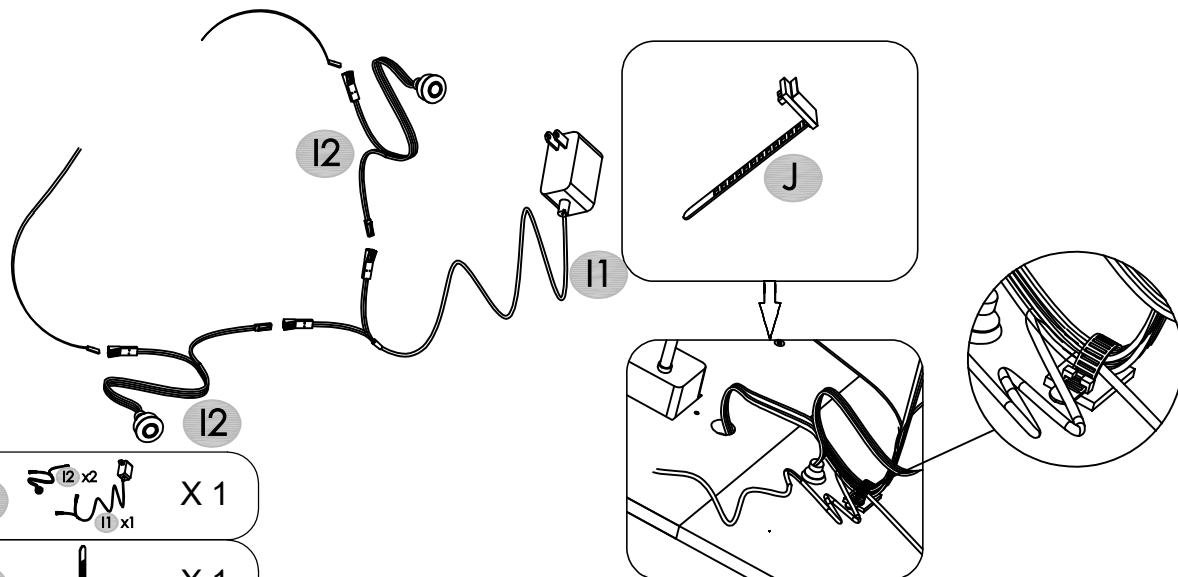


X 2

# Assembly Instruction

## STEP 17

Connect the touch dimmer buttons(I2) to the power cord(I1). Organize the cables using the tie cables(J) to neatly arrange them. First remove the backing of the tie cables, then push hard to place the cable tie where desired.

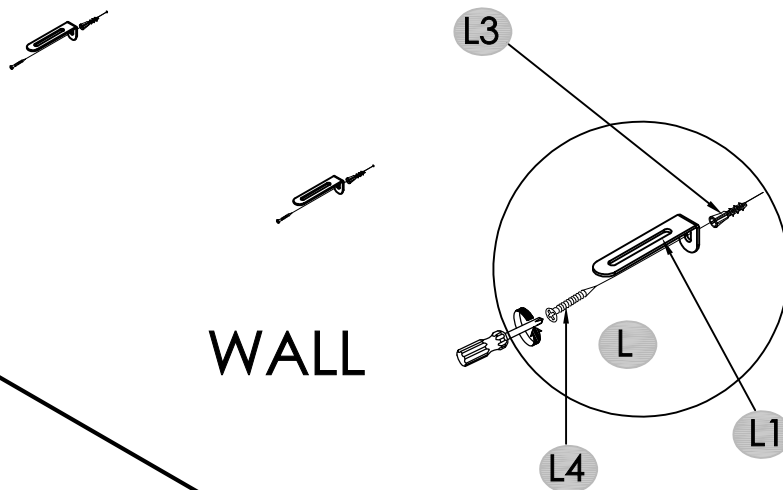


I I2 x2 I1 x1 X 1

J X 1

## STEP 18

Choose a mounting location on the wall and drill a pilot hole using an electric drill (not included - you will need to supply your own). Insert the anchor sleeve(L3) from the anti-tip kit into the hole in the wall. Then attach the angle iron(L1) to the wall using screws(L4).

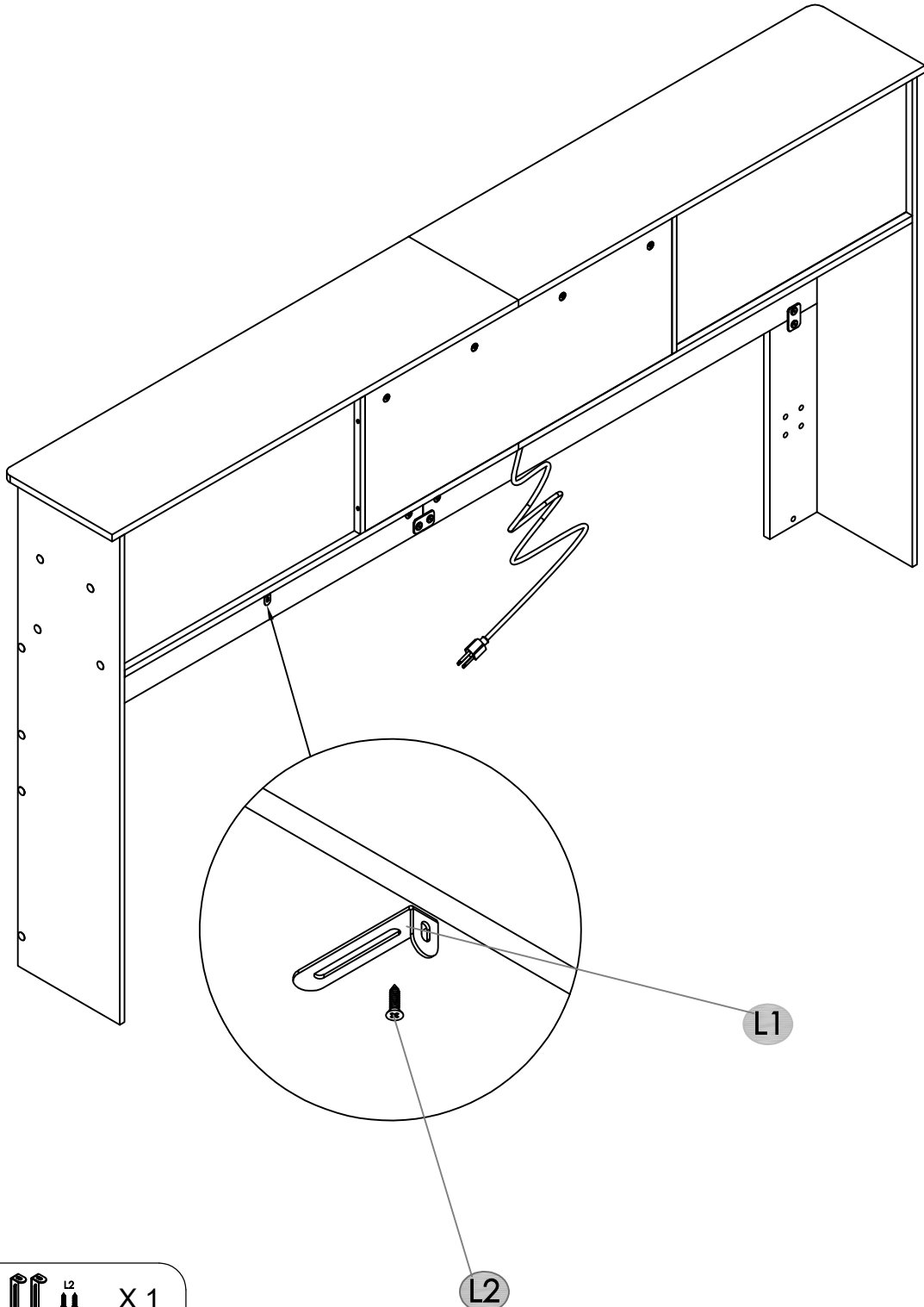


L L1 L3 L4 X 1

# Assembly Instruction

## STEP 19

Fix the other end of the angle iron (L1) to the bottom plate as shown in the figure and lock it with screws (L2).



- L
- L1
- L2
- ST4\*16
- X 1