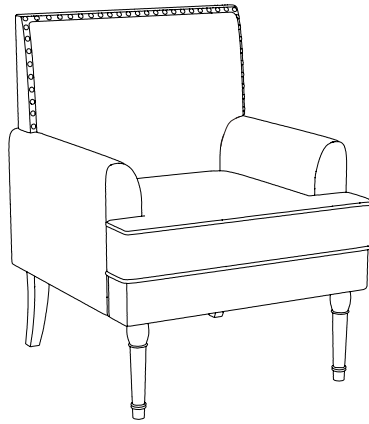
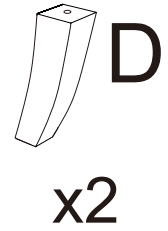
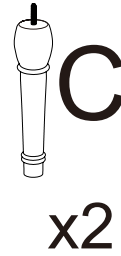
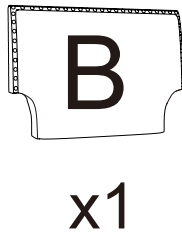
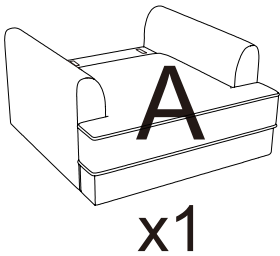


# ASSEMBLY INSTRUCTION

ITEM NO.: D5981.5982.5983.5984.5985.5986.5987.5988



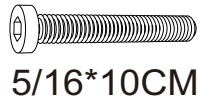
## PARTS LIST



## HARDWARE LIST



**1** x2



5/16\*10CM

**2** x2



5/16\*19MM

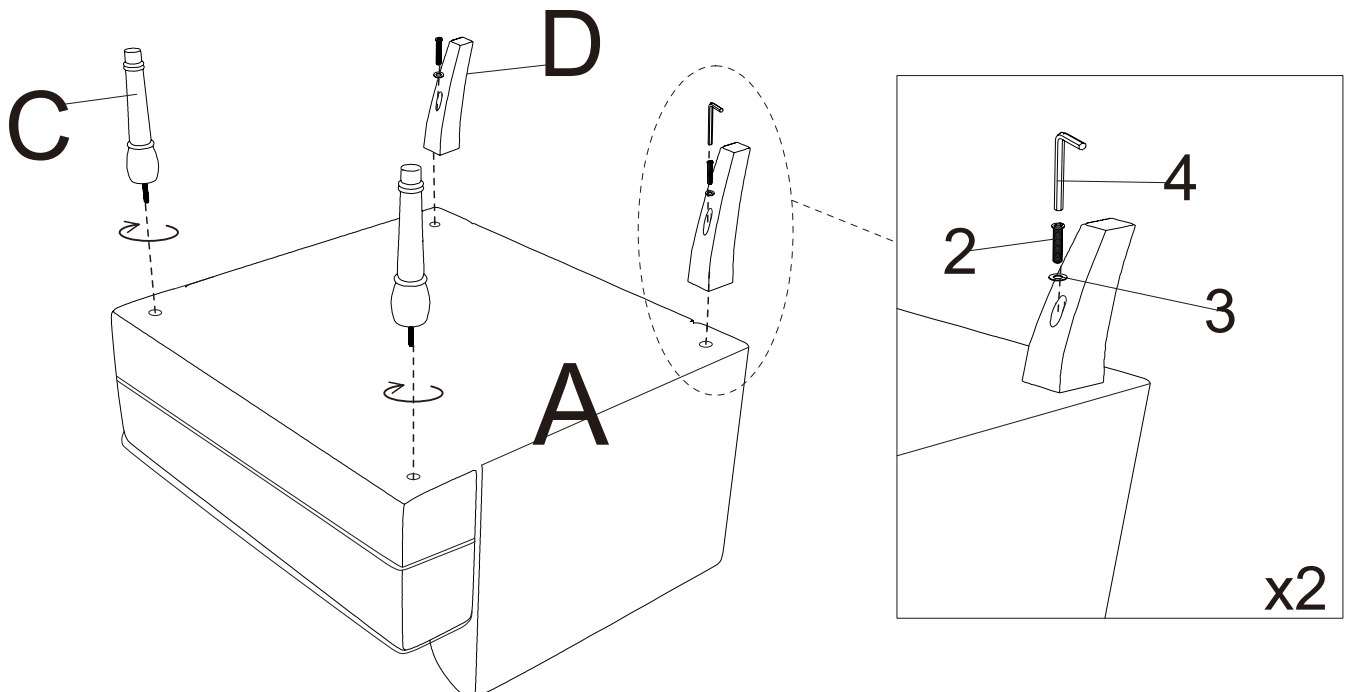
**3** x2



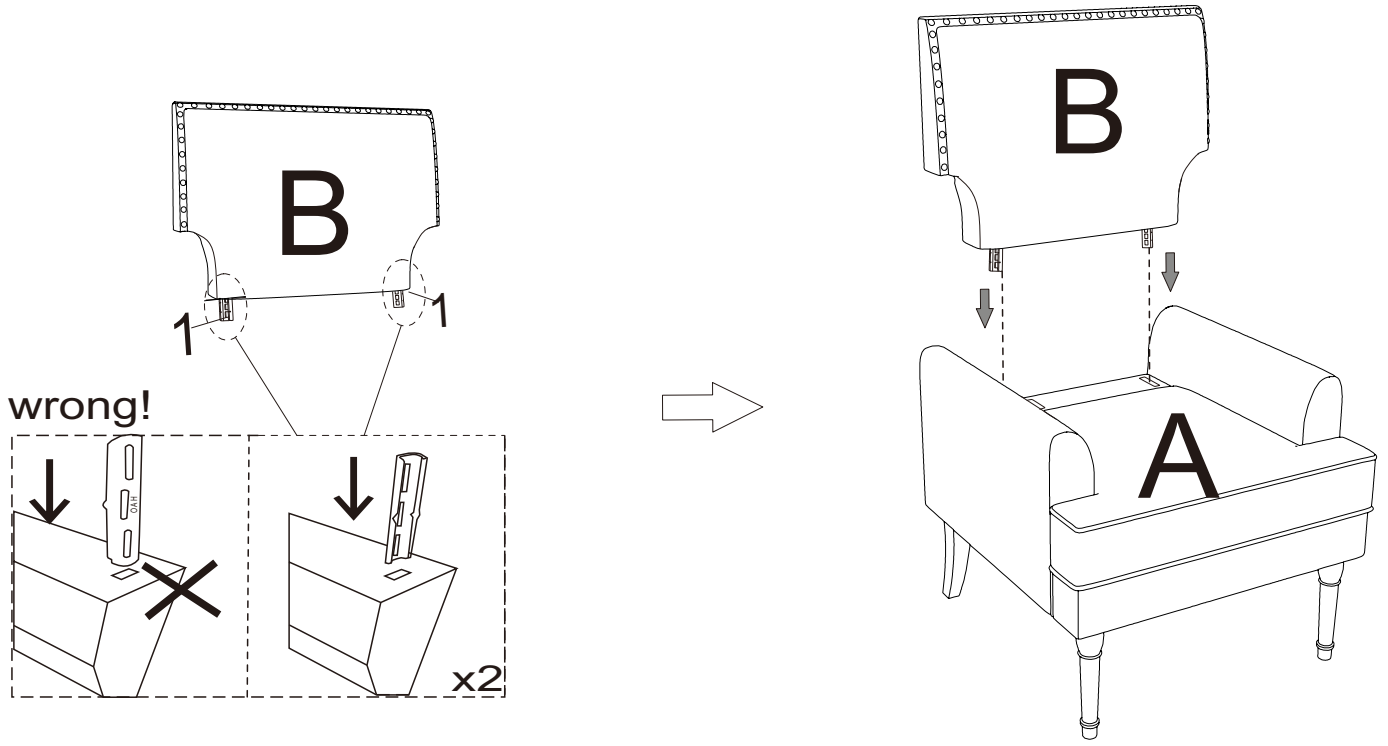
M5/40\*100MM

**4** x1

Step 1



Step2



Step3

