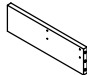
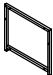
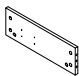



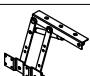
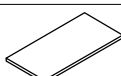
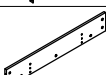

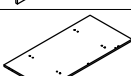

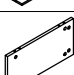

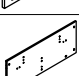
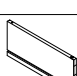
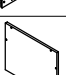
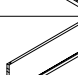
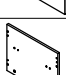


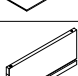
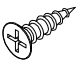


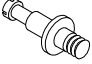


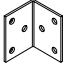











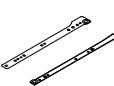


Main parts list (1)

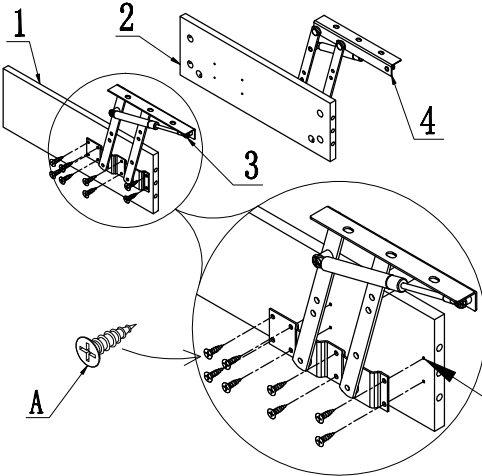
No	Hardware List	Main parts diagram	Size	Qty	No	Hardware List	Main parts diagram	Size	Qty
1			428*96*15	1	12			460*400*19	2
2			428*96*15	1	13			306*48*240	1
3			326*48*240	1	14			306*48*240	1
4			326*48*240	1	15			450*220*15	1
5			910*144*15	1	16			1000*500*30	1
6			910*443*15	1	17			451*196*12	1
7			428*201*15	1	18			451*196*12	1
8			910*360*15	1	19			291*145*9	2
9			360*458*15	1	20			403*145*9	2
10			360*458*15	1	21			410*298*3	2
11			940*458*15	1	22			291*145*9	2

Accessories List(2)

No	Accessories List	Accessories Diagram	Size	Qty	No	Accessories List	Accessories Diagram	Size	Qty
A	self tapping screw		ST4*16	50	M	self tapping screw		ST3.5*12	8
B	three-to-one		28MM	41	N	connecting rod		Ø7.5*24.5	8
C	Wooden tenon		Ø8*30	36	O	Plastic connection for rear drawer		10*10*145	4
D	Angle code		50*37*37	2	P	self tapping screw		ST3*12	24
E	inner-hexagon screw		M6*30	8	Q	plastic snap		Ø8*11	8
F	allen key		S=4	1	R	handle screw		M4*20	2
G	inner-hexagon screw		M6*40	4	S	round handle		Ø24*20	2
H	Iron Cross Barrel Trunnion Nut		Φ 10*11	4	<p>Please read our assembly instructions carefully. All installation steps are shown in the picture. If you have any questions, please feel free to contact our service by your order page. We will reply to you as soon as possible</p> <p>⚠</p> <p>WARNINGS</p> <p>During assembly, keep parts and package materials away from children and pets as they could cause injury and are a potential choking hazard. Avoid sharp objects to prevent damage to the product. Please open the item slowly and cautiously to avoid pinching your hands by metal joints, especially children. Please make sure to follow the assembly instructions carefully to avoid the risk of tipping or other injuries.</p>				
I	Middle support legs		Ø36*26	2					
J	Cover for hole		Ø22*1	41					
K	inner-hexagon screw		M6*12	8					
L	Bottom Mounting Drawer Runner		300MM	2					

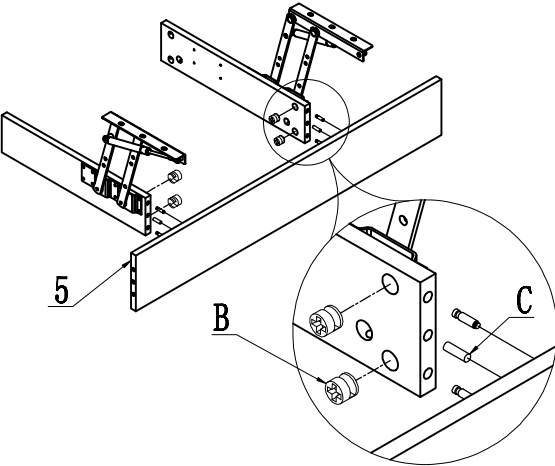
Installation Steps

Step 1: Attach the panel left/right lifters to Panel (1) and Panel (2) using self-tapping screws (A).

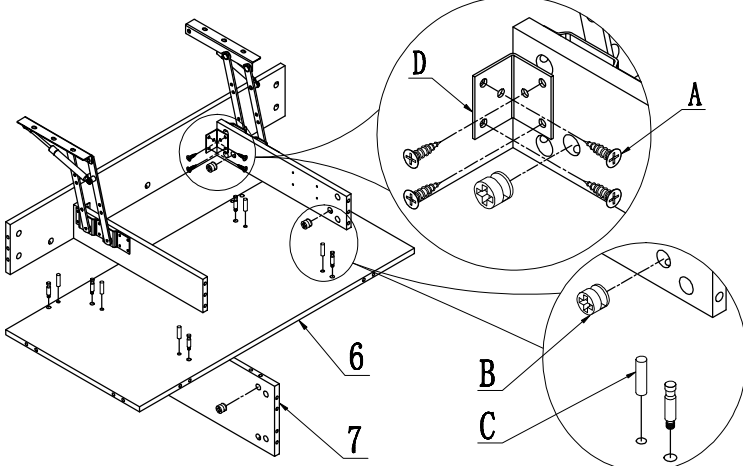


Note: The lifting parts are divided into two pieces (one for each side). To install this lifting part, 8 screw holes need to be drilled. However, on our board pieces, only 4 holes are drilled for each side. First, use four wooden screws to align and fix the lifting part according to the arrow indication positions on the side plate. For the other holes, simply drive in the wooden screws without the need for holes. The installation methods for the left and right lifting parts are the same.

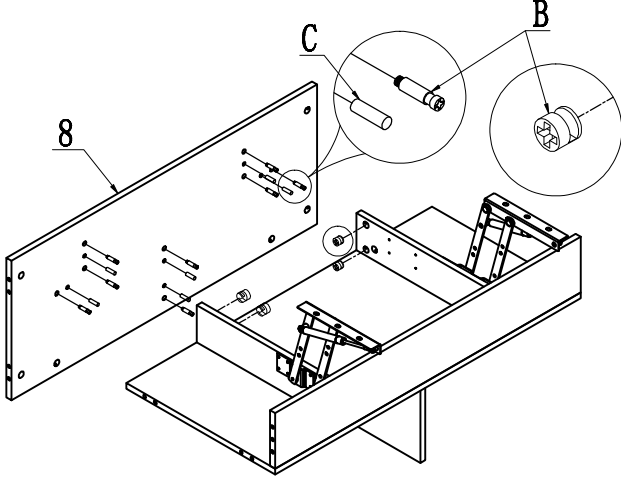
Step 2: Install Panel (5) with three-in-one connectors (B) and wooden dowels (C).



Step 3: Mount Panels (6) and (7) via three-in-one connectors (B) and wooden dowels (C). Secure angle brackets (D) with self-tapping screws (A).

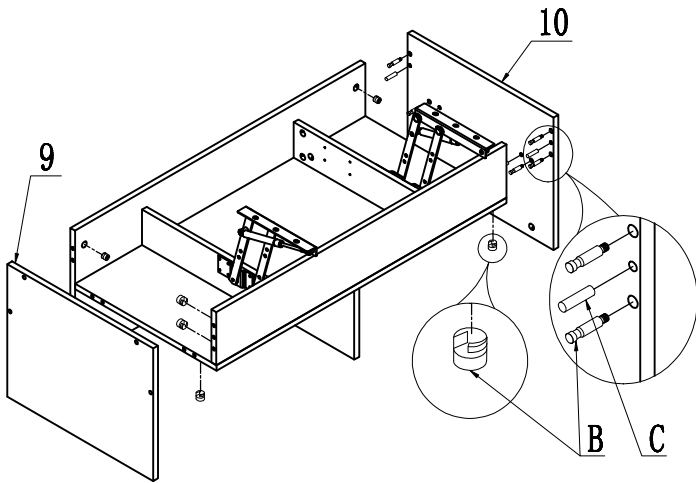


Step 4: Fit Panel (8) using three-in-one connectors (B) and wooden dowels (C).

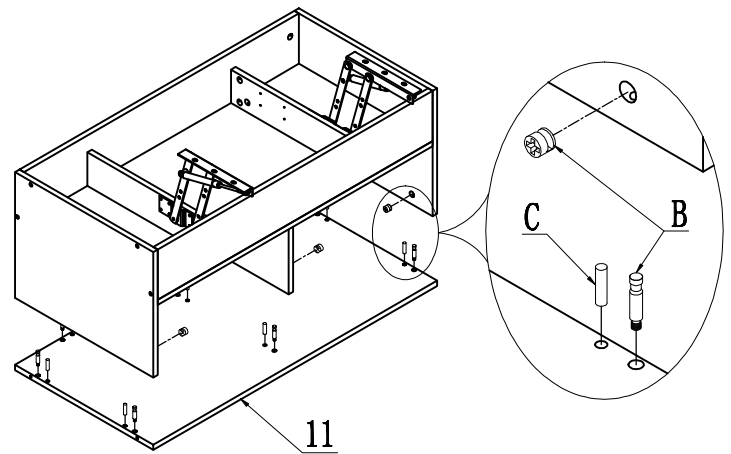


Installation Steps

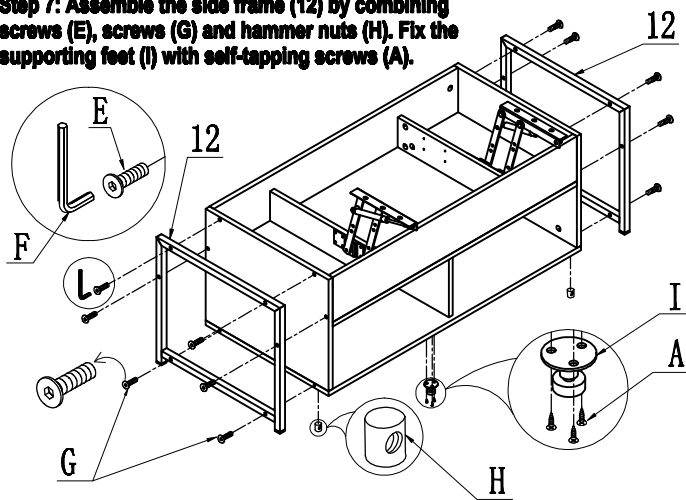
Step 5: Install Panels (9) and (10) with three-in-one connectors (B) and wooden dowels (C).



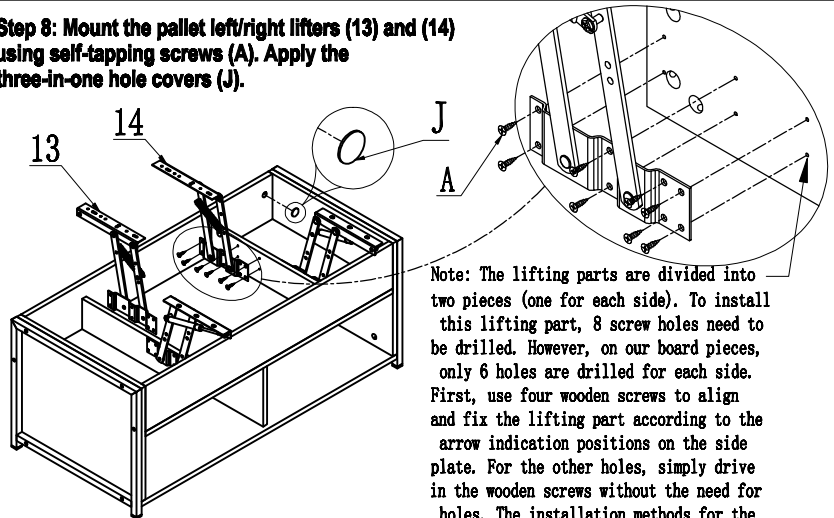
Step 6: Attach Panel (11) using three-in-one connectors (B) and wooden dowels (C).



Step 7: Assemble the side frame (12) by combining screws (E), screws (G) and hammer nuts (H). Fix the supporting feet (I) with self-tapping screws (A).

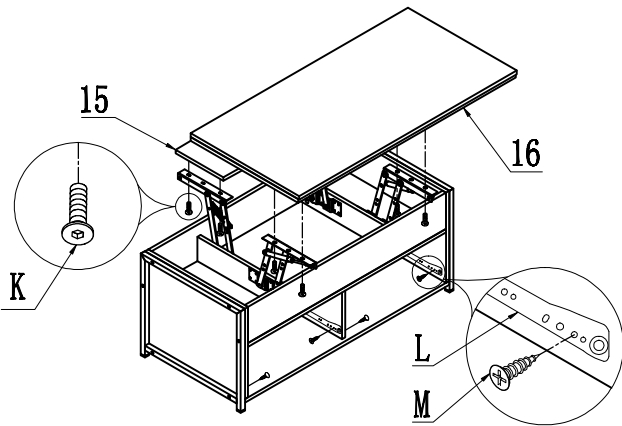


Step 8: Mount the pallet left/right lifters (13) and (14) using self-tapping screws (A). Apply the three-in-one hole covers (J).

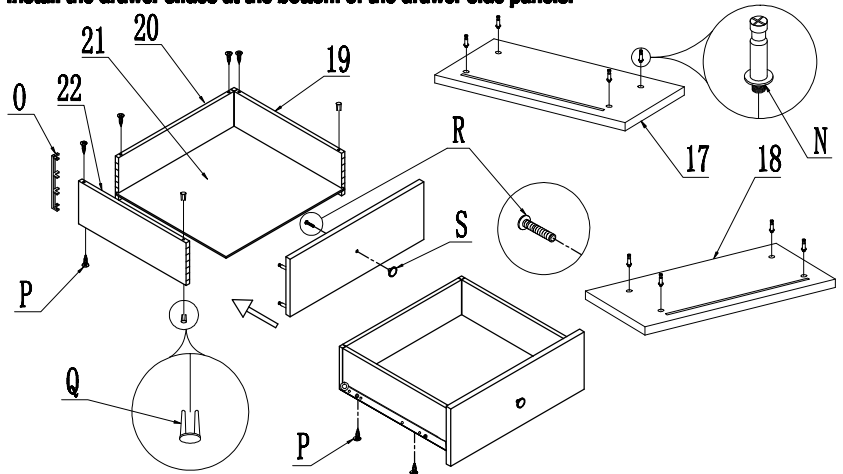


Installation Steps

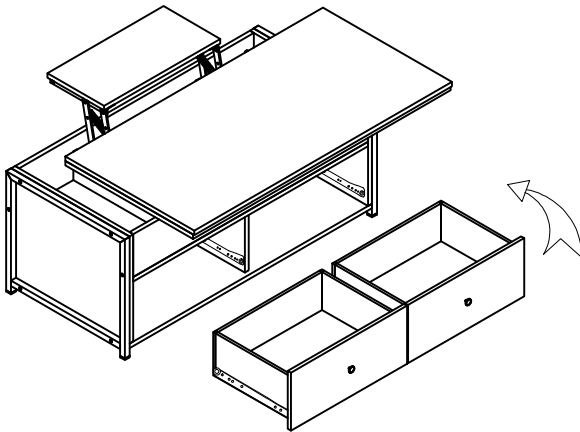
Step 9: Install the pallet (15) and lifting panel (16) with Screws (K). Mount the bottom rail (L) using self-tapping screws (M).



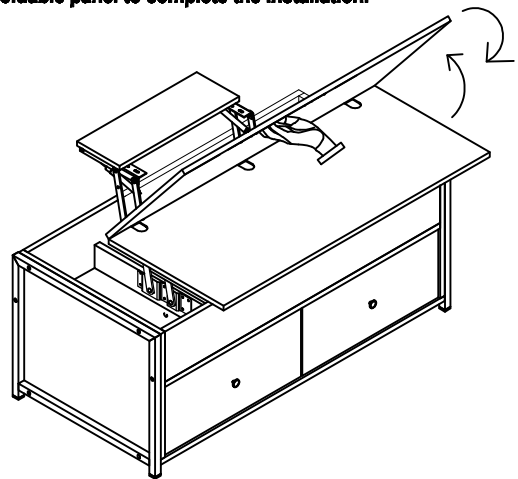
Step 10: Assemble the left and right drawers as shown in the diagram. Install the drawer slides at the bottom of the drawer side panels.



Step 11: Slide the assembled left and right drawers into the cabinet body.

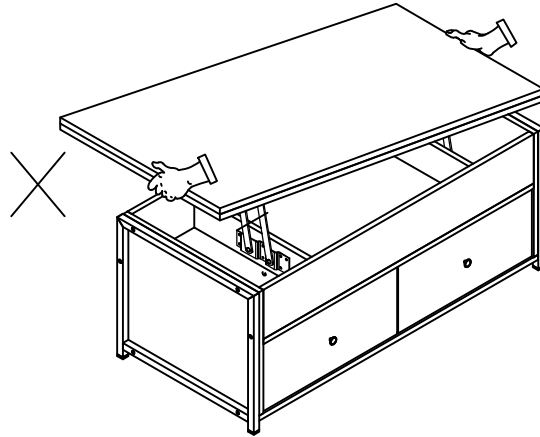
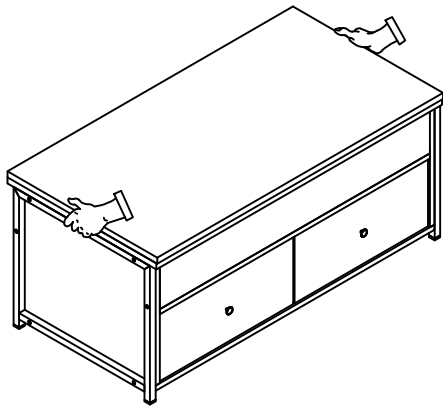


Step 12: Open the foldable panel to complete the installation.



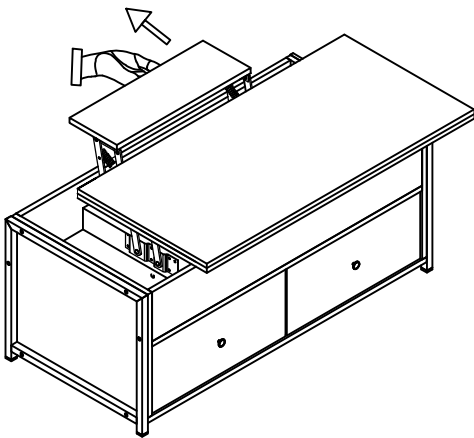
Steps in application and cautions

①



If a part is missing or damaged please feel free to contact us via customer service email. We will gladly ship your replacement parts FREE of charge.

②



③

