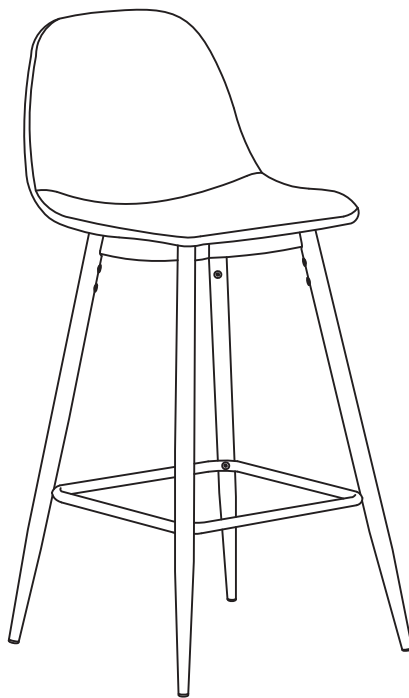

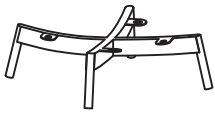





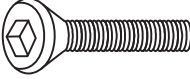
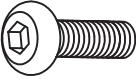


Counter Stool / Bar Stool



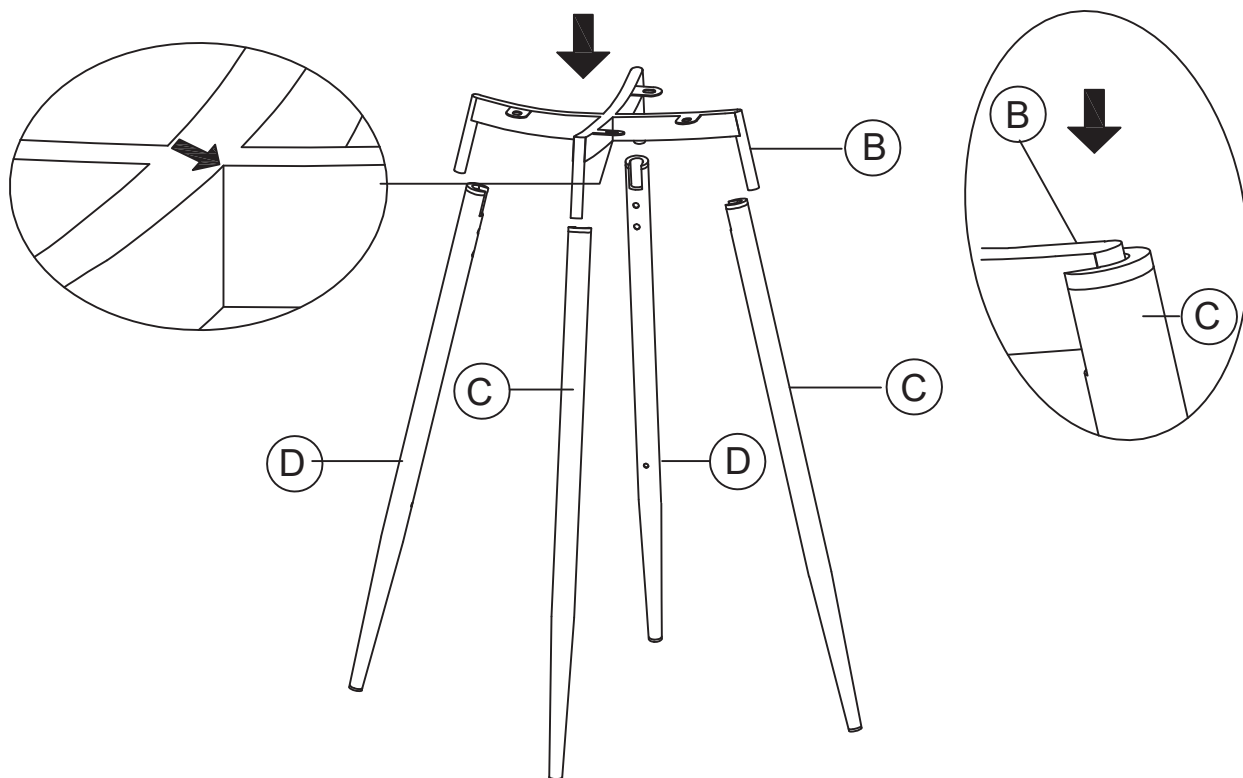
PARTLIST

<div data-bbox="153 174 185 210" data-label="Text">A</div> 	<div data-bbox="416 174 448 210" data-label="Text">B</div> 	<div data-bbox="679 174 711 210" data-label="Text">C</div> 	<div data-bbox="943 174 975 210" data-label="Text">D</div> 	<div data-bbox="1206 174 1238 210" data-label="Text">E</div> 
<div data-bbox="233 465 320 546" data-label="Text"> <p>Seat 2PCS</p> </div>	<div data-bbox="424 465 639 546" data-label="Text"> <p>Cross Frame 2PCS</p> </div>	<div data-bbox="687 450 911 553" data-label="Text"> <p>Front Leg red sticker #3 4PCS</p> </div>	<div data-bbox="951 450 1174 553" data-label="Text"> <p>Back Leg red sticker #4 4PCS</p> </div>	<div data-bbox="1262 465 1406 546" data-label="Text"> <p>Footrest 2PCS</p> </div>

HARDWARE LIST

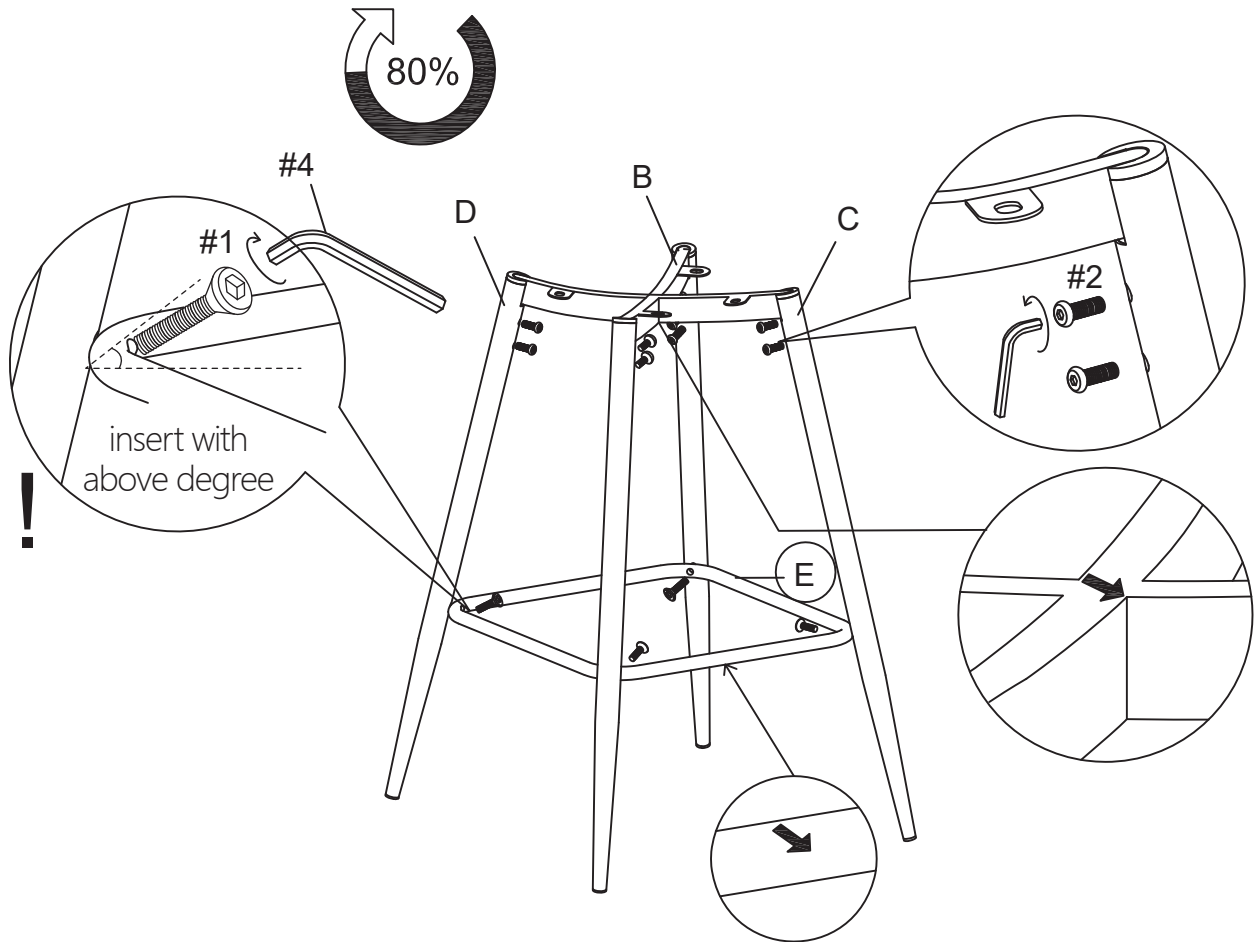
<div data-bbox="145 808 185 844" data-label="Text">#1</div> 	<div data-bbox="408 808 448 844" data-label="Text">#2</div> 	<div data-bbox="671 808 711 844" data-label="Text">#3</div> 	<div data-bbox="935 808 975 844" data-label="Text">#4</div> 
<div data-bbox="217 1021 328 1057" data-label="Text">m6X20</div> <div data-bbox="153 1088 392 1180" data-label="Text"> <p>Long Bolt 8PCS(Extra 1)</p> </div>	<div data-bbox="480 1021 592 1057" data-label="Text">m6X16</div> <div data-bbox="408 1088 647 1180" data-label="Text"> <p>Short Bolt 24PCS(Extra 1)</p> </div>	<div data-bbox="767 1021 815 1057" data-label="Text">φ6</div> <div data-bbox="671 1088 911 1180" data-label="Text"> <p>Flat Washer 8PCS(Extra 1)</p> </div>	<div data-bbox="959 1088 1174 1180" data-label="Text"> <p>Allen Wrench 1PC</p> </div>

Step 1: Carefully install front legs (part C) and back legs (part D) to cross frame (part B).
Please notice red arrow sticker pointing to front side of cross frame (part B).



Step 2: Secure assembled unit (parts B, C & D) using short bolts (part #2) and allen wrench (part #4). Attach footrest (part E) to legs (parts C & D) using long bolts (part #1) and allen wrench (part #4). Long bolts (part #1) need to be inserted at an angle. Please notice red arrow sticker pointing to front side of footrest (part E).

NOTE: Please do not fully tighten bolts until unit is fully assembled.



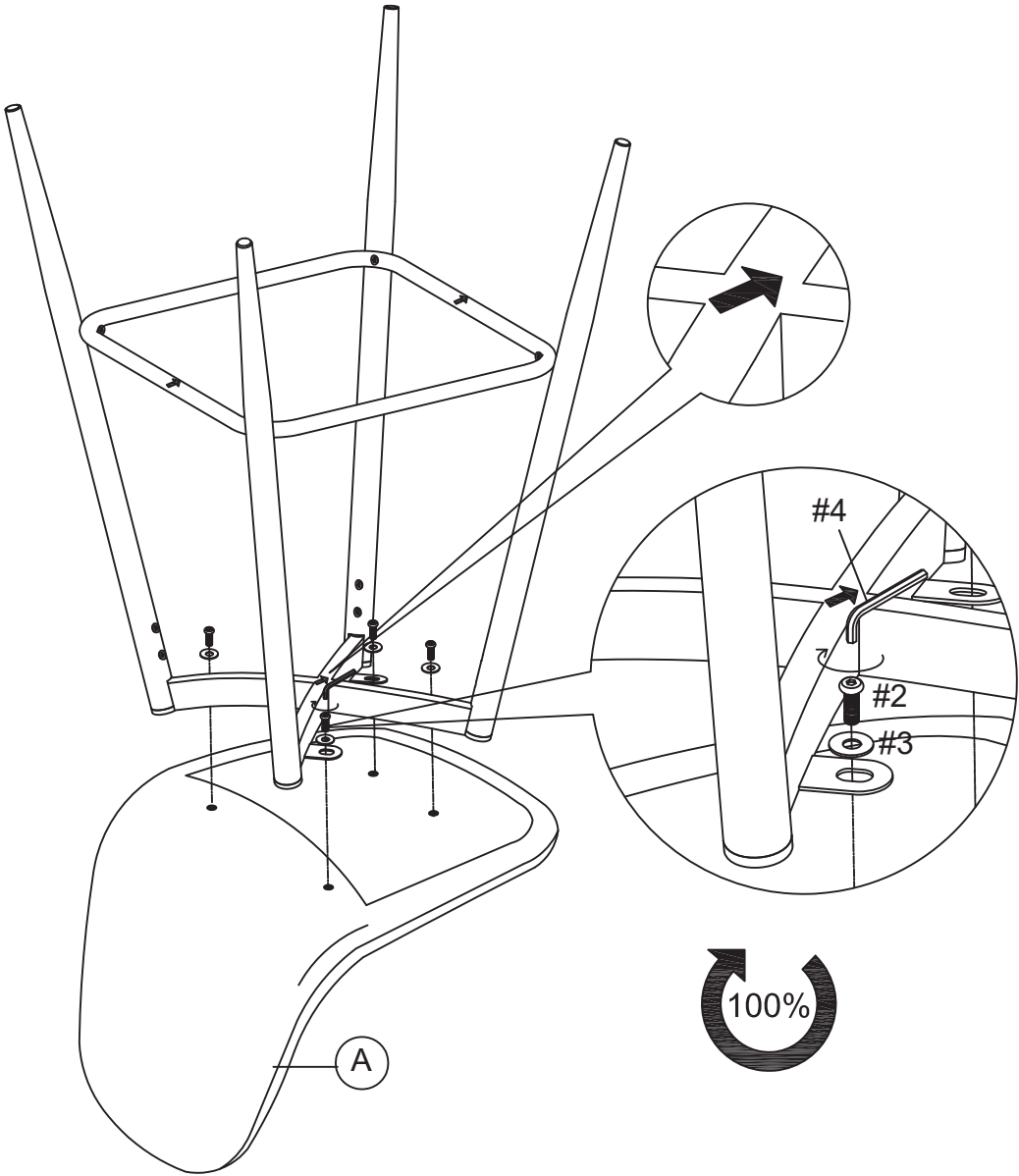
#1  X4




#2  X8

#4  X1

Step 3: Carefully turn seat (part A) upside down on a soft flat surface, such as carpet. Attach assembled unit (parts B, C, D & E) to seat (part A) using short bolts (part #2), flat washers (part #3) and allen wrench (part #4).

NOTE: Please fully tighten these bolts at this time.



- #2  X4
- #3  X4
- #4  X1

Step 4: Carefully turn unit upright. Fully tighten all bolts at this time.

