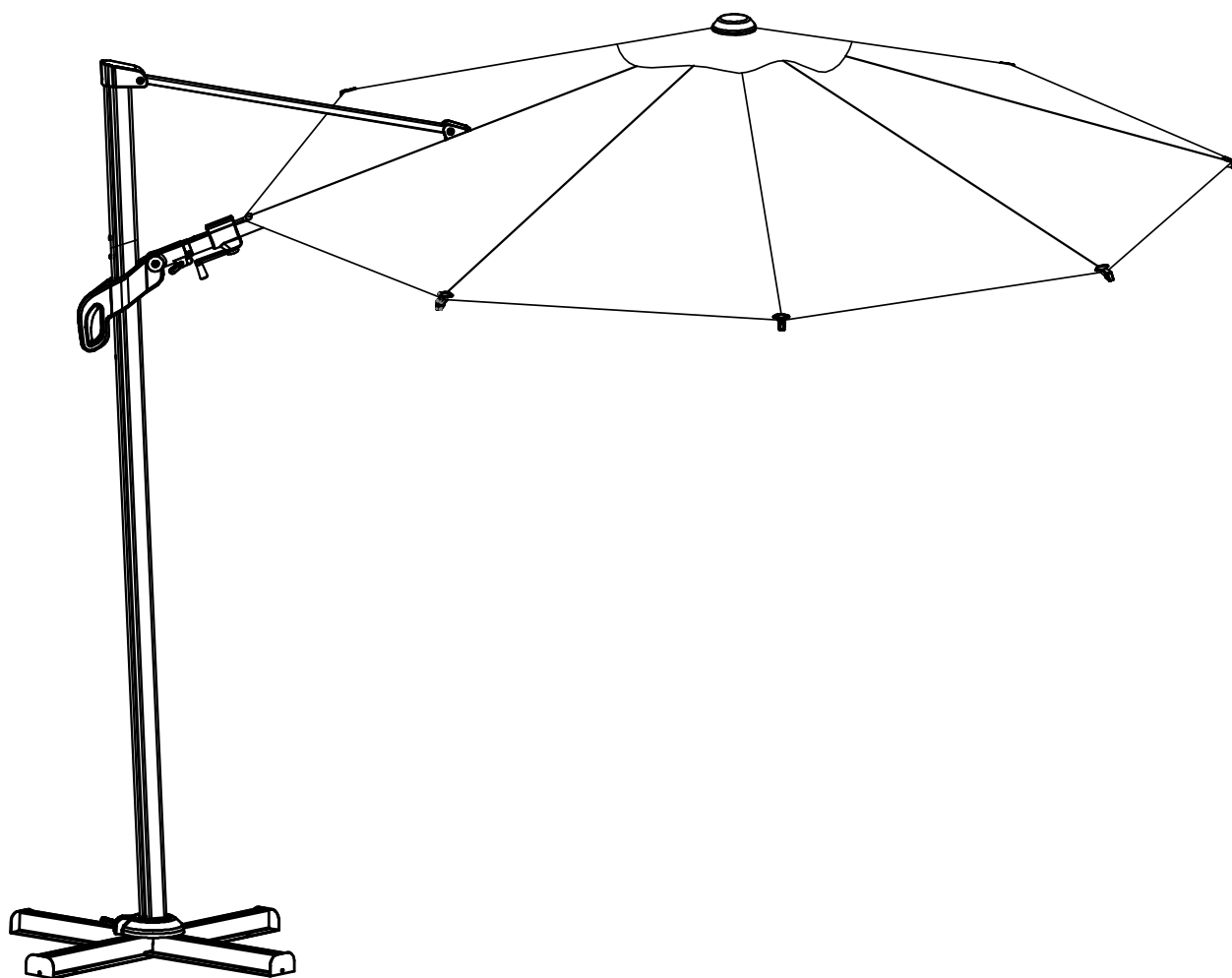


# VIENNA

## INSTRUCTION MANUAL




### **IMPORTANT: READ THIS INSTRUCTION CAREFULLY BEFORE PROCEEDING.**

This manual will provide you with clear and detailed instructions on how to safely and correctly assemble and maintain your Vienna, to ensure it brings you enjoyment.

### **FOLLOW US ON**

 @abbapatio

 @abbapatio

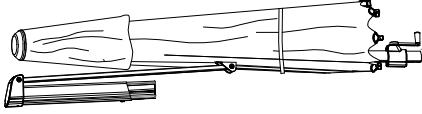



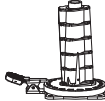


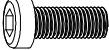
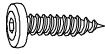




 @Abba\_Patio

 @abbapatio\_official

# PARTS LIST






Make sure all parts listed below have been included in your package.

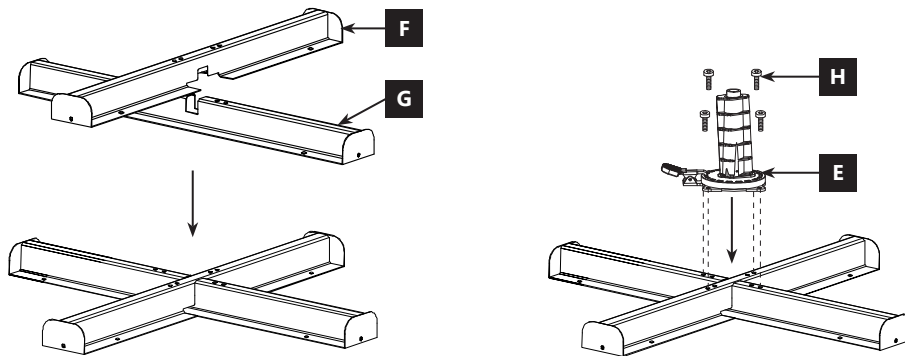
Tool required,  
not included  

REF	PART NAME	QTY
<b>A</b> 	Main body	1
<b>B</b> 	Lower pole	1
<b>C</b> 	Sliding sleeve	1
<b>D</b> 	Protective cap	1
<b>E</b> 	Rotator	1
<b>F</b> 	Cross base (top)	1
<b>G</b> 	Cross base (bottom)	1
<b>H</b> 	Socket head cap screw M8x20mm	4
<b>I</b> 	Hexagon socket tapping screw ST6x16mm	1
<b>J</b> 	Phillips pan head screw ST5.5x16mm	2
<b>K</b> 	Allen wrench M5	1
<b>L</b> 	Allen wrench M8	1
<b>M</b> 	Wood screw	0+9

# ASSEMBLY




## 1. Cross base assembly

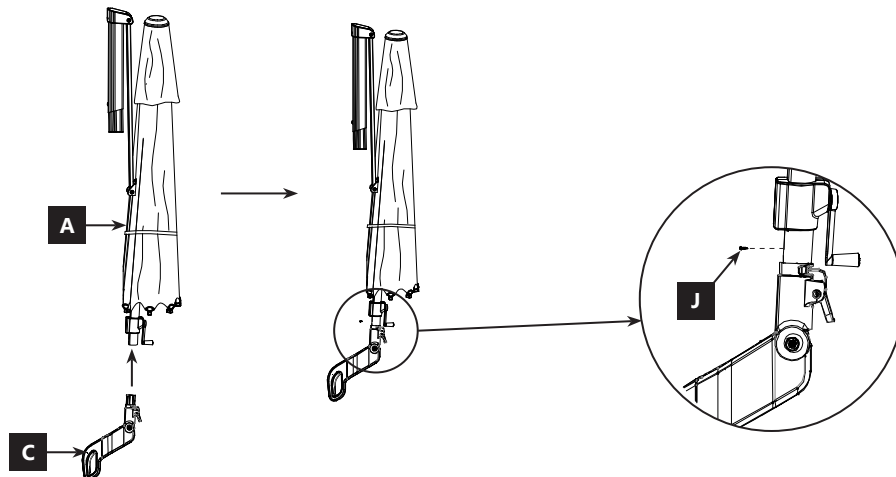
- L** x1 
- H** x4 
- E** x1 
- F** x1 
- G** x1 



- 1A)** Insert the cross base (top) **F** into the slot of the cross base (bottom) **G**.
- 1B)** Fix the rotator **E** to the cross base **E** with socket head cap screw **H**.




## 2. Sliding sleeve assembly

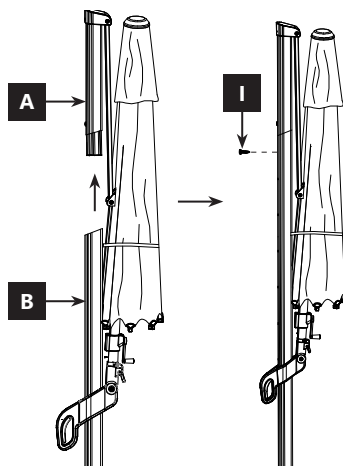
- J** x1 
- C** x1 
- A** x1 





- 2A)** Secure the sliding sleeve **C** to the main body **A** with phillips pan head screw **J**.

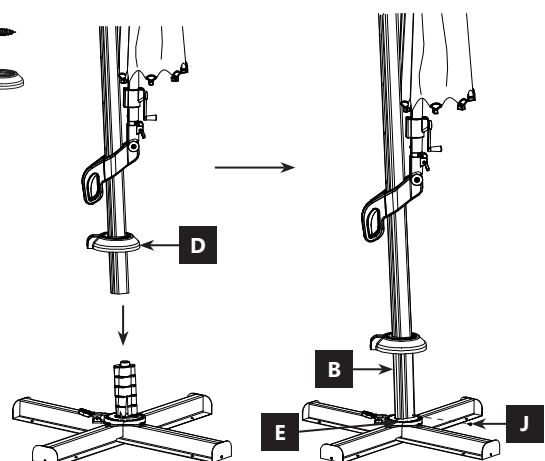
## 3. Lower pole assembly

- I** x1 
- K** x1 
- B** x1 



- 3A)** Keep the lower pole **B** upright and bolt the main body **A** to it with hexagon socket tapping screw **I**.

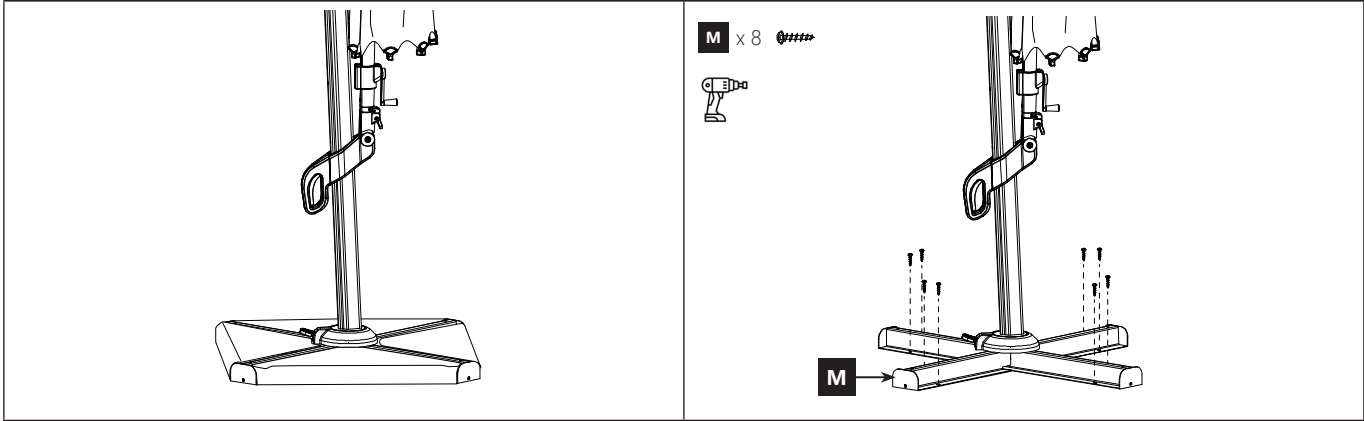
- J** x1 
- D** x1 



- 3B)** Insert the protective cap **D** and bolt the lower pole **B** to the rotator **E** with phillips pan head screw **J**.

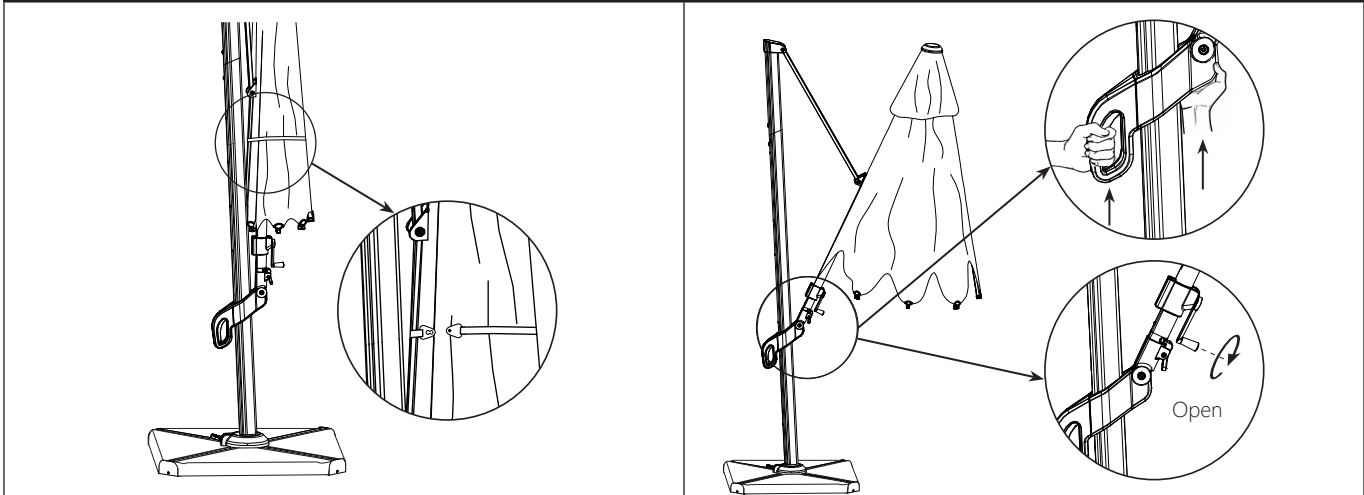
# OPERATING

## 1. Stabilize the base



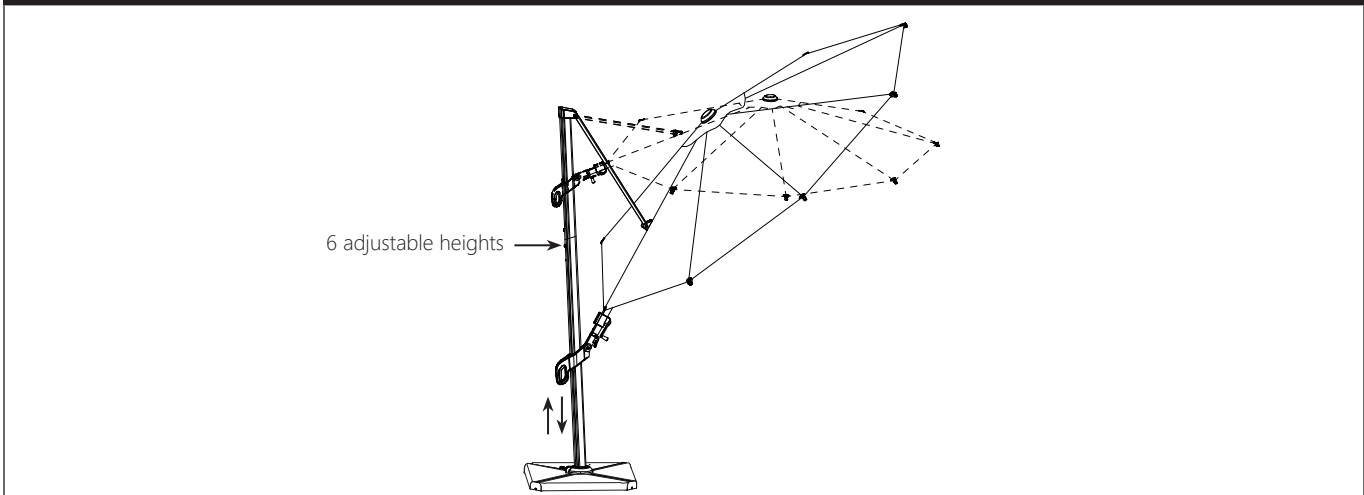
**1A)** Secure umbrella in at least a 150lbs umbrella base. **OR 1B)** Fasten the umbrella to the deck with wood screw **M** provided.

## 2. Open the umbrella



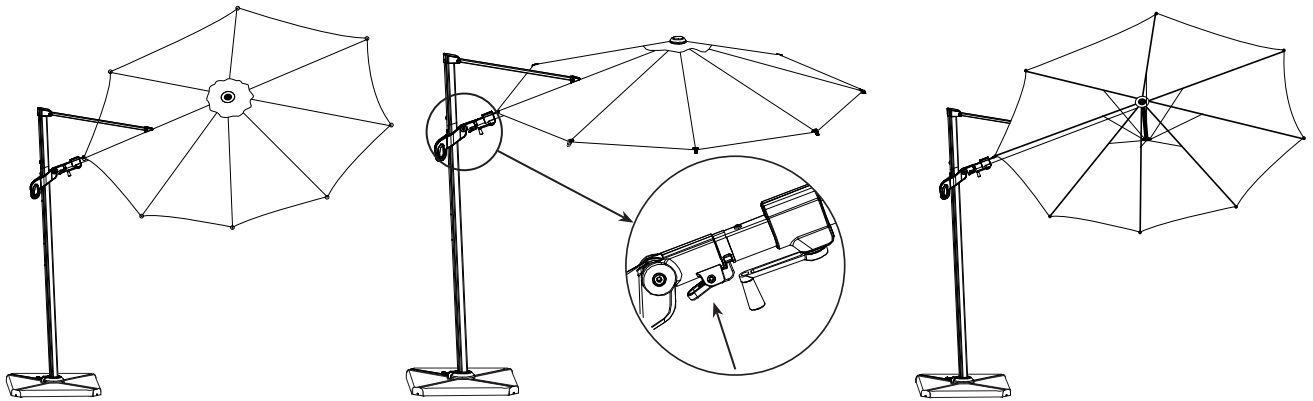
**2A)** Open the bind.  
**2B)** Hold the slide sleeve and press the handle, push up to the appropriate height, rotate the crank clockwise to open the canopy.

## 3. Vertical tilt



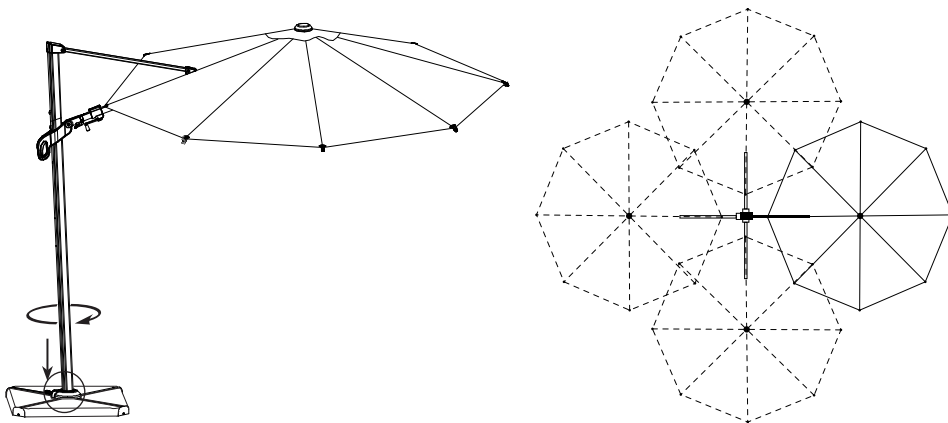
**3A)** Slide the sleeve up or down to tilt the canopy for desired shading.

## 4. Horizontal tilt



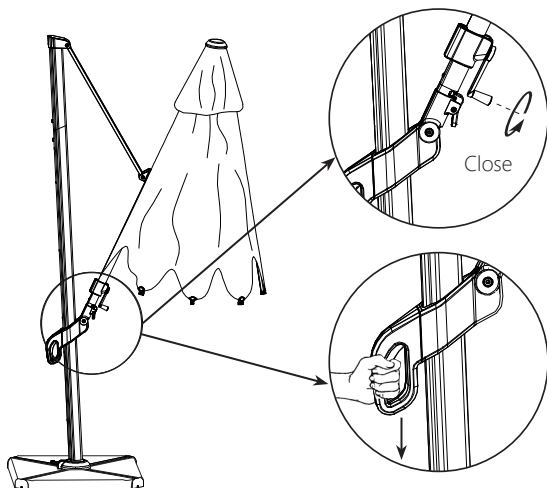
**4A)** Press the button while grabbing the end cap with the other hand to swing it from side to side to adjust the angle.

## 5. 360°Rotation

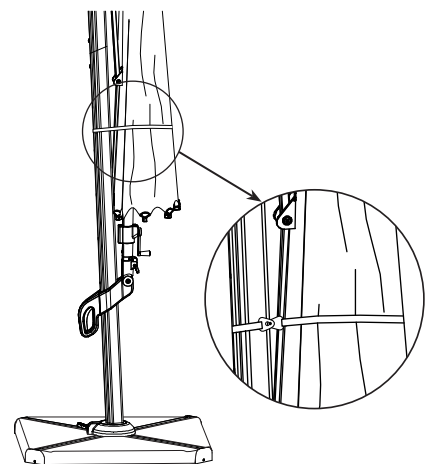


**5A)** Step on the foot pedal and turn the pole with one hand for 360°rotation until it is adjusted to the desired direction.

## 6. Close the umbrella



**6A)** Rotate the crank counter clockwise to close the canopy. Pull the sliding sleeve down to the bottom.



**6B)** Wrap the binding tape around the lower pole and tie.

# IMPORTANT INFORMATION

## **IMPORTANT! Read this information before proceeding.**

- The patio umbrella must be assembled on flat level surface.
- Always wear appropriate work shoes, gloves and eye protection when working.
- Keep away from overhead utility lines, tree branches, or other structures.
- Keep clothing and body parts away from the moving parts of the patio umbrella to prevent them from getting caught in.
- Do not touch moving parts during operation.
- Only use replacement parts that are approved by the manufacturer.
- After prolonged use we recommend you check all the fittings are tightened securely.
- Please recycle packaging where possible.
- Do not attempt to assemble the product if you are tired or have consumed alcohol.
- Dispose of all plastic bags safely. Keep them out of the reach of children.
- Keep children and pets away from the assembly area until the work is completed.
- Do not attempt to assemble the patio umbrella in windy or wet conditions.
- Close the patio umbrella in windy ( $\geq$ BFT6) or severe weather conditions which include high winds and snow. These weather conditions can damage the patio umbrella and may also result in injury to you or others. Please note that damage is not covered under any umbrella warranty.
- Prior to each operation, visually check the patio umbrella for damage. If damage is visible, stop using it immediately and contact authorized personnel to repair the damage.
- Hanging objects on the patio umbrella may cause serious damage and is not permitted.
- Changes to the design or configuration of equipment may not be made without consulting the manufacturer or authorized representative.
- The patio umbrella is designed as a temporary patio umbrella. Do not leave up for extended periods.
- Always fasten with wood screws or secure umbrella in at least a 150lbs umbrella base.
- Do not leave your patio umbrella unattended.
- Keep flame and heat sources like grills, fire pits, and blowtorches away from the patio umbrella.

# CARE & MAINTENANCE

- Cleaning the patio umbrella at least once a month will improve its longevity and quality significantly.
- Do not use abrasive materials, wire brushes, chemicals, harsh cleaners, or bleach.
- Your product is NOT machine washable.
- Your product is NOT machine dryable.
- Let the patio umbrella dry completely before closing or storing to avoid mildew.

## **FRAME:**

- Gently clean with an environmentally-friendly soap solution and water using a sponge.
- Rinse using a garden hose and air dry.
- If there are nicks, chips and scratches, go to your local hardware store or home center and obtain a closest match touch-up paint suitable for outdoor metal use. Follow instructions that come with the paint.
- Slightly tighten bolts if frame becomes loose.

## **FABRIC:**

1. Brush off loose dirt with a soft bristle brush.
2. Hose down.
3. Prepare a cleaning solution of water and mild soap such as dishwash liquid.
4. Use a soft bristle brush to clean.
5. Allow cleaning solution to soak into the fabric.
6. A thorough rinse until all soap residue is removed.
7. Air dry.

# CONTACT US FOR HELP

**Customer Service:** [customer@abbapatio.com](mailto:customer@abbapatio.com)

**Need Assistance? Call** +1 (888) 899-5617

## **Hours of Operation:**

**Phone Support:** Monday - Friday: 6:30 am - 4:30 pm, Saturday - Sunday: 8:30 am - 4:30 pm, PST.

**Email Support:** We are available 24 hours a day. Please allow up to 24 hours for a response.

**Note:** Our team is available to assist you during these hours. If you have any inquiries or require support outside of these hours, please leave a voicemail, send an email. We will get back to you promptly during the next available support hours. We thank you for your purchase!