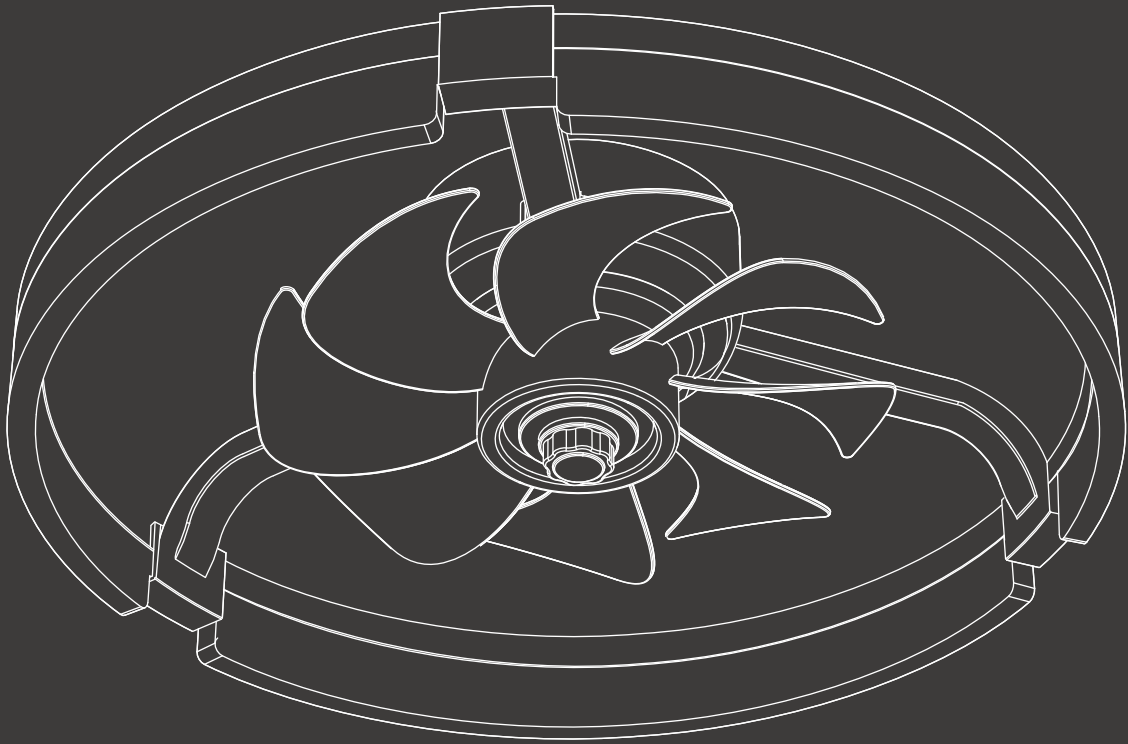


Ceiling Fan

Instruction Manual

AC-DSV4CDS-19D7



 EST 9:00AM--17:00PM

 HJ-Customer-Service@outlook.com

 6269443420 | 6267435564

Contents

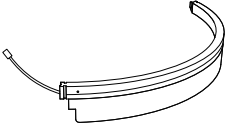

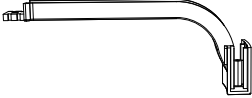
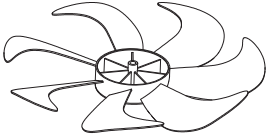
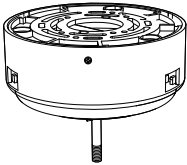
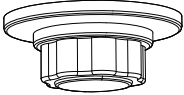
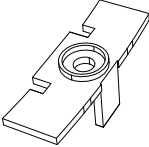
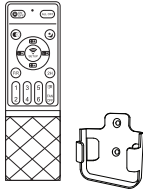
Important Warning	01
Package Contents	02
Install the Hanging Board	03
Assemble the Fan	04
How to Use	06
Remote Control	07
App Control	08
Troubleshooting	09
Maintenance	09
Warranty Information	10


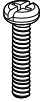
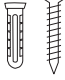
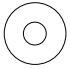






Important Warning

1. Please read this user manual carefully before using the product and keep it for future reference.
2. Before installing, disconnect the power supply and ensure the fan switch is in the off position. Do not connect any power until the installation is complete.
3. To avoid electric shock, ensure the electricity is turned off at the main fuse box before wiring. Ensure the fan is properly grounded.
4. All wiring must comply with the National Electrical Code and local electrical code. You can consult a qualified electrician for assistance.
5. **Warning:** To reduce the risk of fire, electric shock, or personal injury, use the junction box intended for fan support and the screws provided. Replace the junction box if not used for fans.
6. To avoid personal injury or damage to the fan and other items, maintain and clean the fan with care.
7. Do not use water or detergents to clean the fan or fan blades. Use only a dry rag or a slightly damp cloth.
8. The fan requires a grounded electrical supply (AC 110~130 V/ 60Hz, 15A). Electrical code requires the use of a fan-rated junction box to support the extra weight and motion of the fan. Fan-rated junction boxes vary in ratings and design. Ensure the ratings of your junction box suit this fan.
9. If your fan is to replace an existing light fixture, turn off the power at the main fuse box and remove it.
11. Do not operate the fan with a variable speed controller or a dimmer switch, which may damage the fan.


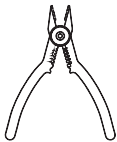
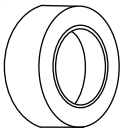

Package Contents

Please check that all parts and hardware are present and intact.

<p>AX3</p> 	<p>BX3</p> 	<p>CX3</p> 	<p>DX1</p> 
<p>EX1</p> 	<p>FX1</p> 	<p>GX3</p> 	<p>HX1</p> 

 <p>①X3</p>	 <p>②X2</p>	 <p>③X2</p>	 <p>④X2</p>	 <p>⑤X4</p>	 <p>⑥X1</p>	 <p>⑦X3</p>	 <p>⑧X3</p>	 <p>⑨X3</p>	 <p>⑩X4</p>
--	--	--	--	---	---	--	--	--	--

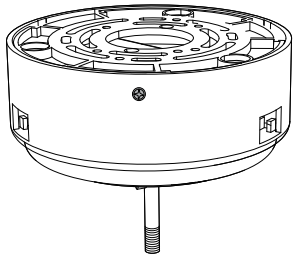
Tools May Required

 <p>Ladder</p>	 <p>Wire Strippers</p>	 <p>Electrical Tape</p>	 <p>Goggles</p>
---	---	---	--

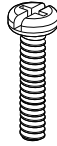
Install the Hanging Board

Needed accessories:

EX1



② X2



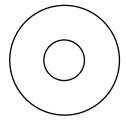
⑩ X4



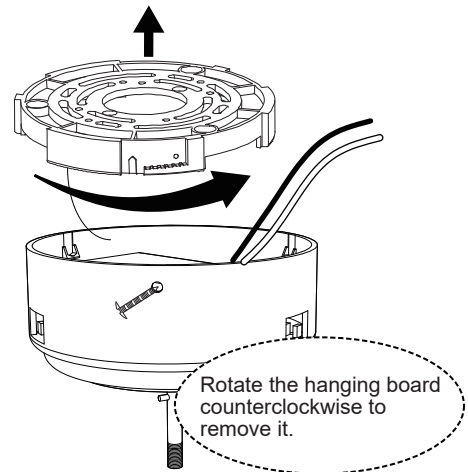
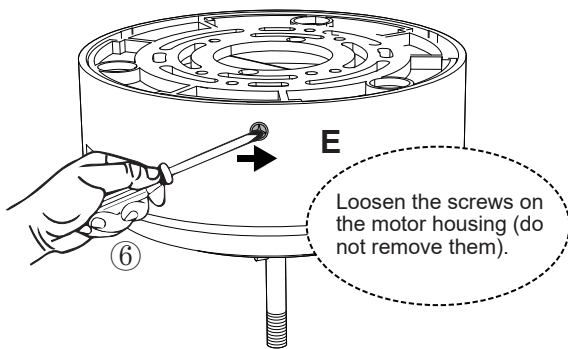
⑤ X4



④ X2



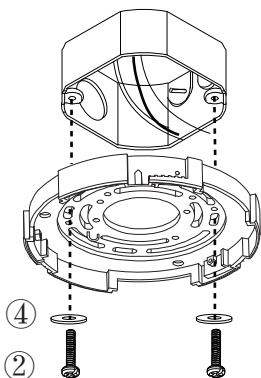
Note: Do not remove the screws on the hanging board E.



According to the user's ceiling situation, choose the corresponding installation.

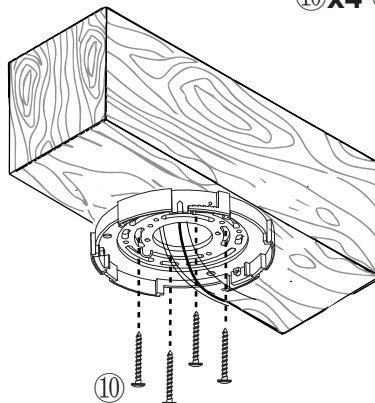
Junction Box

②x2 ④x2 ⑥x1



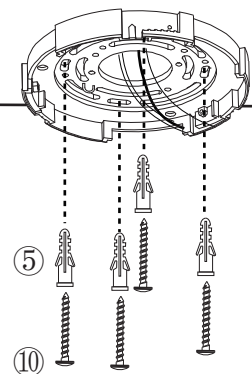
Wooden Ceiling

⑩x4 ⑥x1

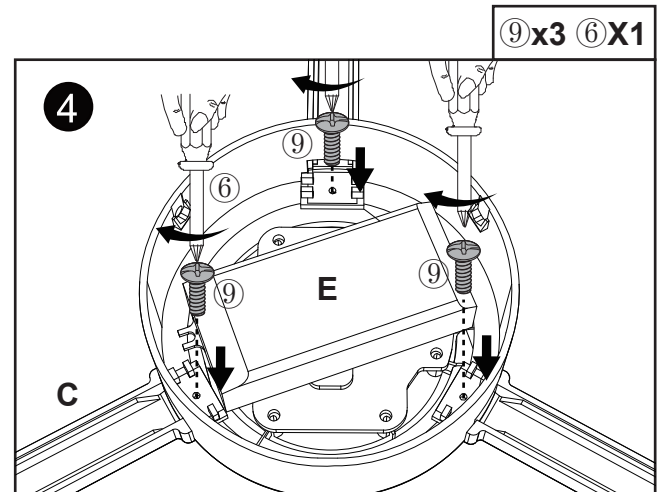
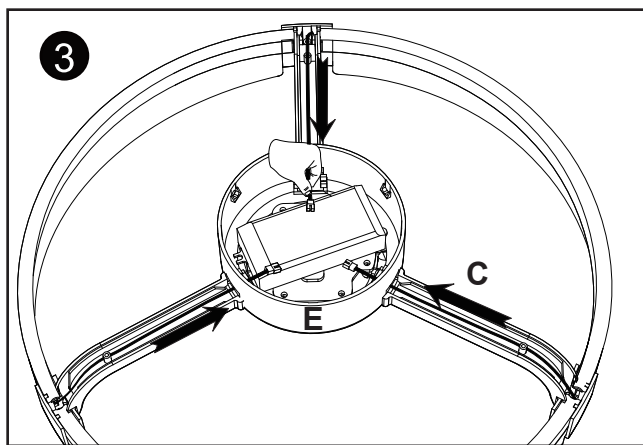
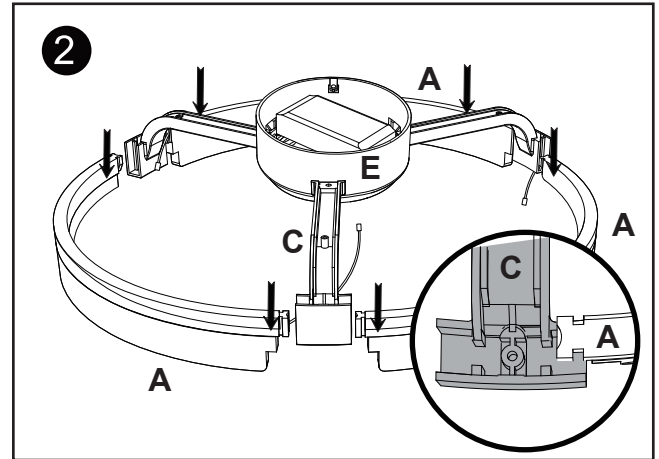
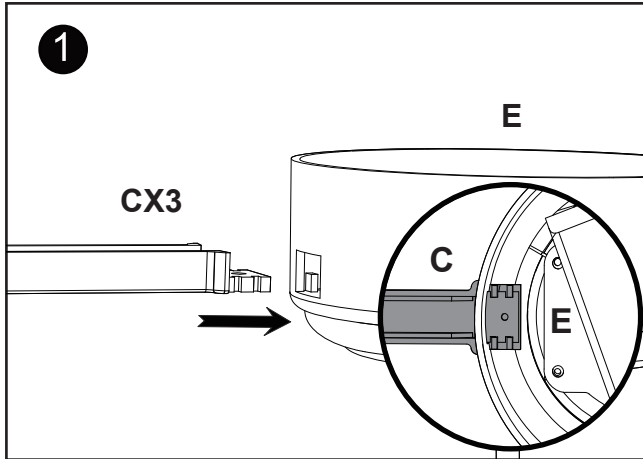


Cement Ceiling

⑤x4 ⑩x4 ⑥x1

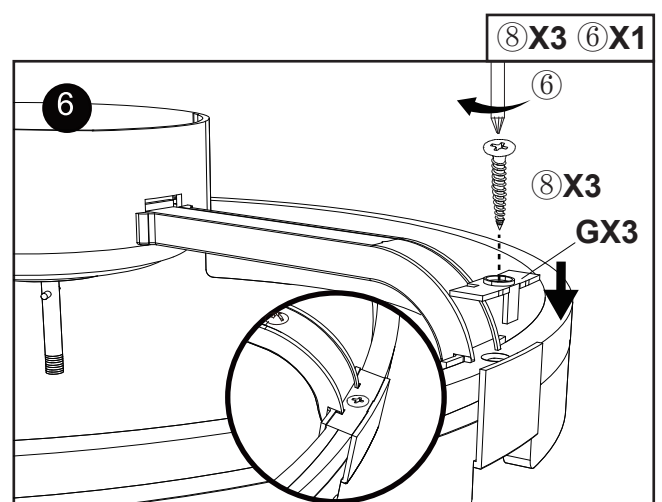
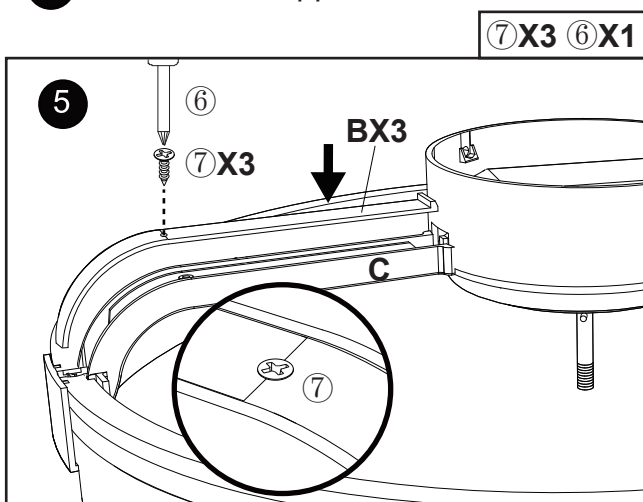


Assemble the Fan



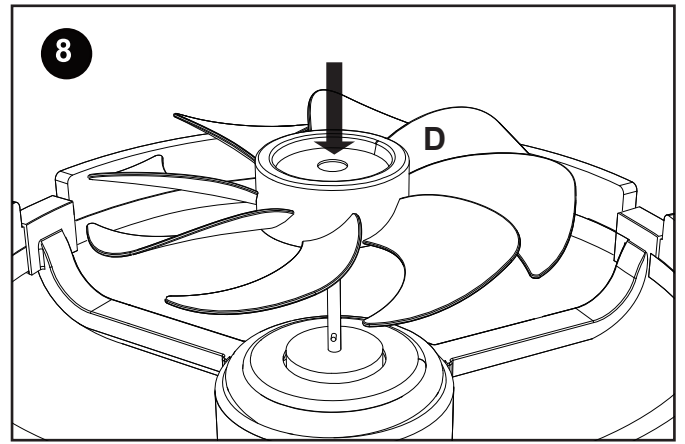
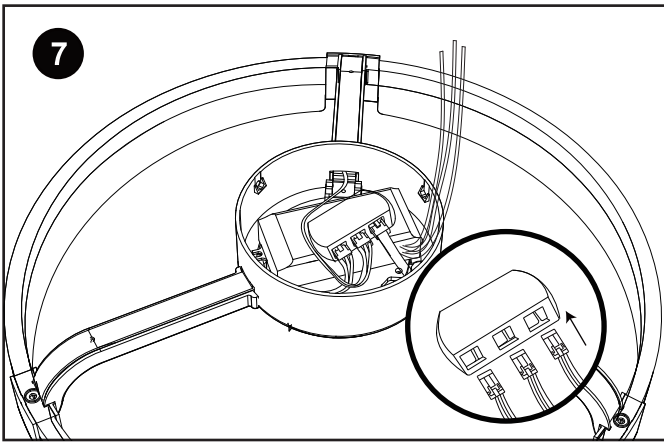
3 Route the wiring harness through the channel on the support frame C, then pass it through the access holes on motor housing E.

4 Secure the support frame C to the motor E.



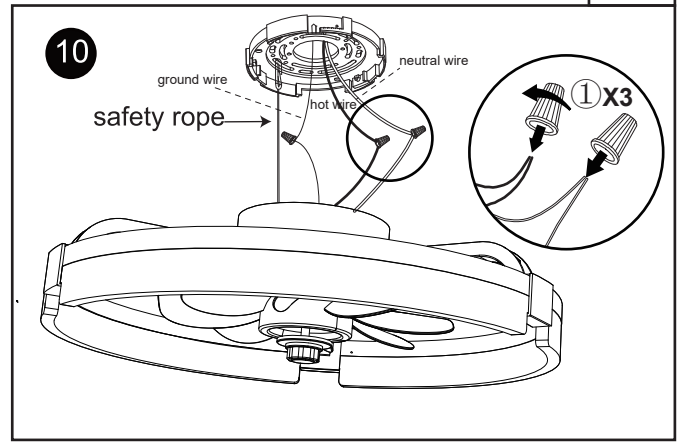
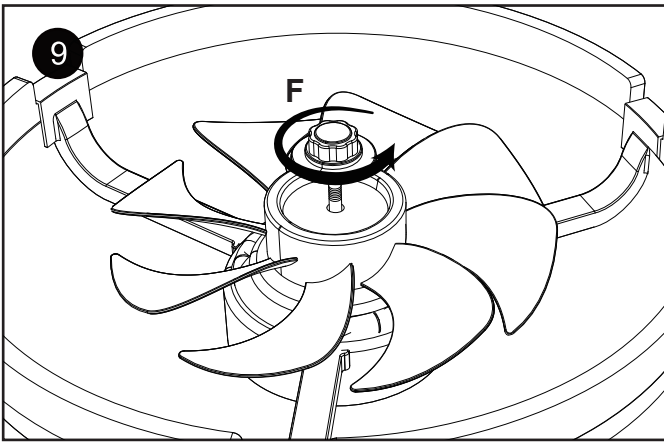
5 Install the support frame cover B onto the support frame C.

6 Install the frame connector G.



7 Insert the 3 wiring harnesses into the small junction box.

①X3



10 Secure the fan to the hanging board using pre-assembled safety rope.

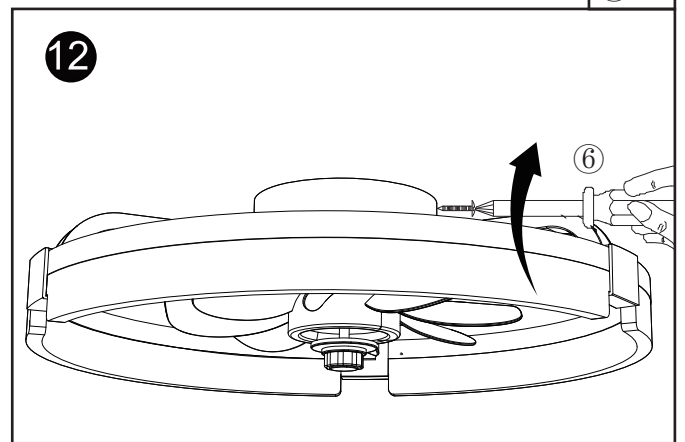
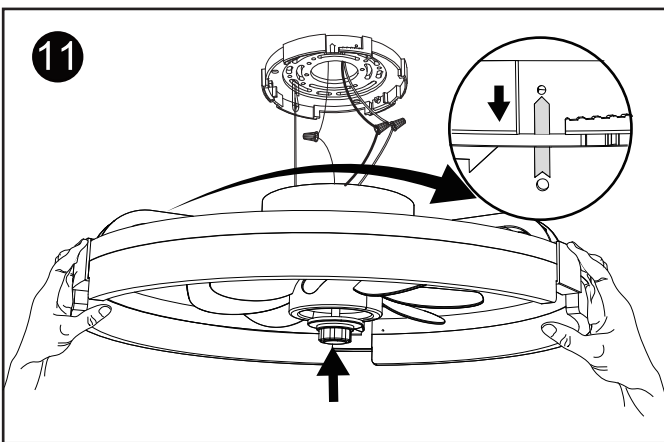
Wiring:

Connect the "neutral wire" (white wire) from the ceiling to the white wire.

Connect the "hot wire" (black wire) from the ceiling to the black wire.

Connect the "ground wire"(green, yellow, or bare) from the ceiling to the green wire.

⑥X1



11 Gently push the fan upward, then rotate the ceiling fan to align it with the grooves.

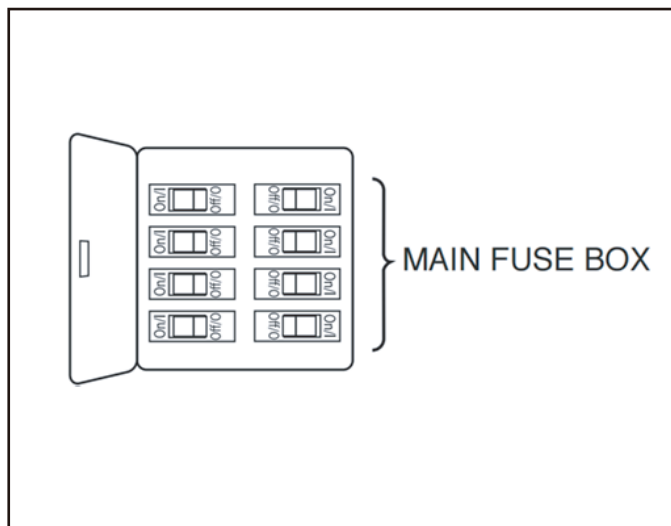
12 Tighten the screws on the motor housing.

How to Use

1. **IMPORTANT:** To reduce the risk of fire or electrical shock, do not use a full-range dimmer switch to control the fan speed (Figure 1).
2. Ensure the fan is properly and completely installed, then restore power at the main fuse box (Figure 2).



(Figure 1)

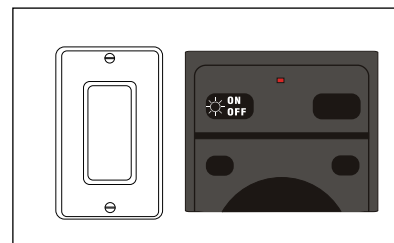


(Figure 2)

3. About Light Memory (Figure 3):

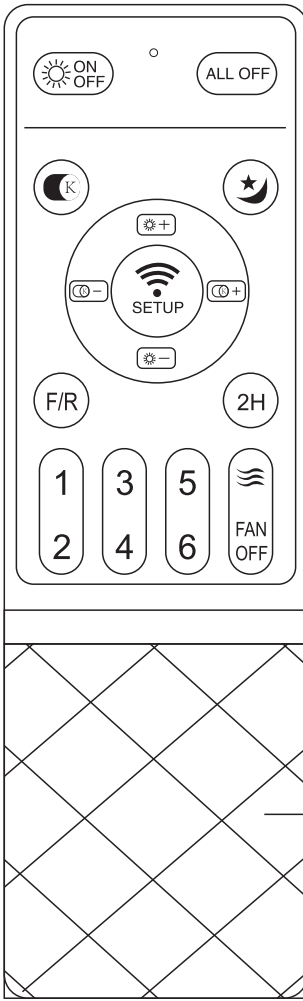





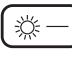
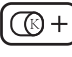
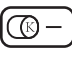



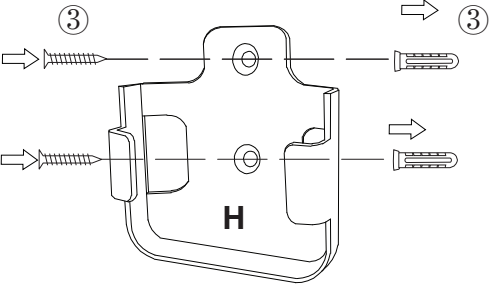

- 1) Turn off the light (wall switch or remote controller).
- 2) If you turn the light back on after more than 10s, it will retain the previous state.

Note: If you turn the light back on within 10s, the light CCT will change.



(Figure 3)

Remote Control

		Light on/off	
		Light & fan off	
		CCT change	
		Night light	
		Brightness +	
		Brightness -	
		CCT + (cooler)	
		CCT- (warmer)	
		Pairing	
		Forward/reverse rotation of fan blades	
		Auto shut-off after 2 hours	
	<p>Secure the remote control holder to the wall.</p> 	1-2	Fan speed
		3-4	Fan speed
5-6		Fan speed	
		Natural wind	
FAN OFF		Fan off	

To operate the fan, please install 2 AAA batteries (not included) in the remote control. If the remote will not be used for an extended period, remove the batteries to prevent damage. Store the remote away from excessive heat and humidity.

The remote control can be used to control multiple receivers.

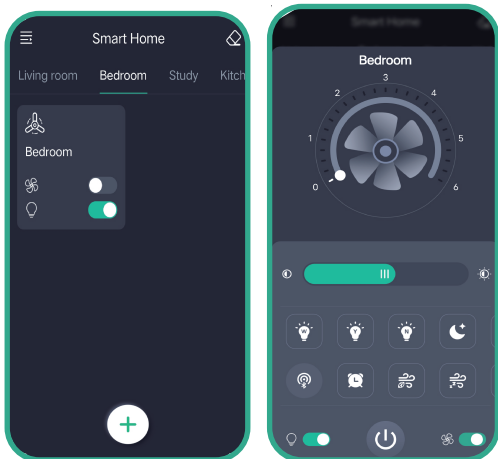
1. For the ceiling fan you want to pair, turn off the fan power for at least 60 seconds.
2. Turn the power back on, then press and hold the SETUP button.
3. The fan light will blink to indicate a successful pairing. If the pairing process is unsuccessful, please repeat the above steps.
















APP Control

- NOTE: Scan the QR code and install the APP on your phone, or search and install "FanLampPro" from Google Play, Apple App Store, and other app stores. Make sure your phone is connected to the internet and BLUETOOTH enabled.



Make sure Bluetooth is enabled on your phone and the app has Bluetooth permissions.



	Pair button. Tap it within 5 seconds after turning on the fan power. Once the fan light flashes, it indicates that the fan has been successfully paired with the phone and can be controlled through the phone.
	Slide to change the fan speed.
	Slide to change the brightness of the light.
	Timer
	Sleep mode
	Natural wind: fan speed will change automatically
	Reverse rotation of fan blades
	Oscilating Funtion (Not available)
	Forward rotation of fan blades
	Night light
	Quick switch for "Natural" light color
	Quick switch for "Yellow" light color
	Quick switch for "White" light color
	Turn on/off the light
	Turn on/off the fan

Troubleshooting

WARNING

For your safety, always turn off the power at fuse box or circuit breaker before troubleshooting.

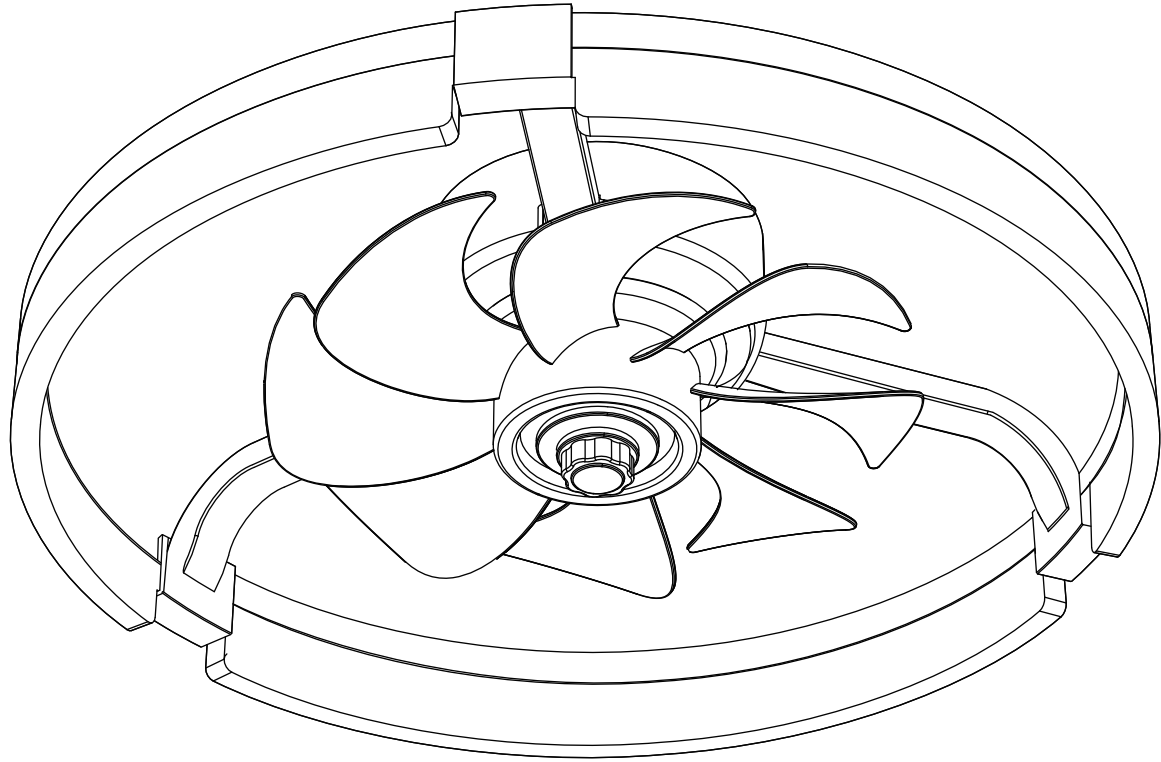
Problems	Possible Causes	Solutions
The fan won't start or the light won't turn on.	Fuse or circuit breaker blows.	Check the fuse and circuit breaker. Replace the fuse or reset the circuit breaker as necessary.
	Loose power line connections at the fan.	Check the line connections. Ensure they are installed and tightened properly. Caution: Ensure the main power is turned off before handling.
	Incorrect wiring between the junction box and the fan.	
	The junction box is damaged due to incorrect connection.	Contact our after-sales service for support.
The fan wobbles excessively.	Loose screws on the hanging board.	Tighten any loose screws.
	Loose screws on the motor housing.	
The fan operates noisily.	Loose screws on the hanging board.	Tighten any loose screws.
	Loose screws on the motor housing.	
The remote control does not work.	The remote battery is depleted.	Replace with a new battery.
	The battery is not installed correctly.	Reinstall the battery correctly.
	The remote and the fan are not paired.	Repair the remote with the fan.

Maintenance

1. Clean the fan periodically or as needed.
2. When cleaning, use only a soft brush or lint-free cloth to avoid scratching.
3. Do not use water, as it may damage the fan and cause electrical shock. Always dry clean it.

Warranty Information

1. This product is covered by a **one (1) -year** limited warranty against defects in materials and workmanship, valid only for the original purchaser. The warranty period begins on the date of retail purchase and is non-transferable.
2. This warranty does not cover normal wear and tear, or any damage resulting from misuse, negligent use, use with improper voltage or current, failure to follow the operating instructions, or any disassembly, repair, or modification not authorized by our after-sales service.
3. Additionally, this warranty does not cover damages caused by Acts of God (such as fire, flood, hurricanes, or tornadoes) or force majeure events (such as arson, power outages, riots, or vandalism).
4. This warranty gives you specific legal rights, and you may also have other rights which vary from state to state (or province to province). Some states (or provinces) do not allow limitations on how long an implied warranty lasts, or the exclusion or limitation of incidental or consequential damages, so the above limitations or exclusions may not apply to you.



Technical Support

6269443420 | 6267435564

Other Info

HJ-Customer-Service@outlook.com

Thank you for choosing this product. We strive to provide you with the best quality products and service in the industry. Should you have any issues, please don't hesitate to contact us.