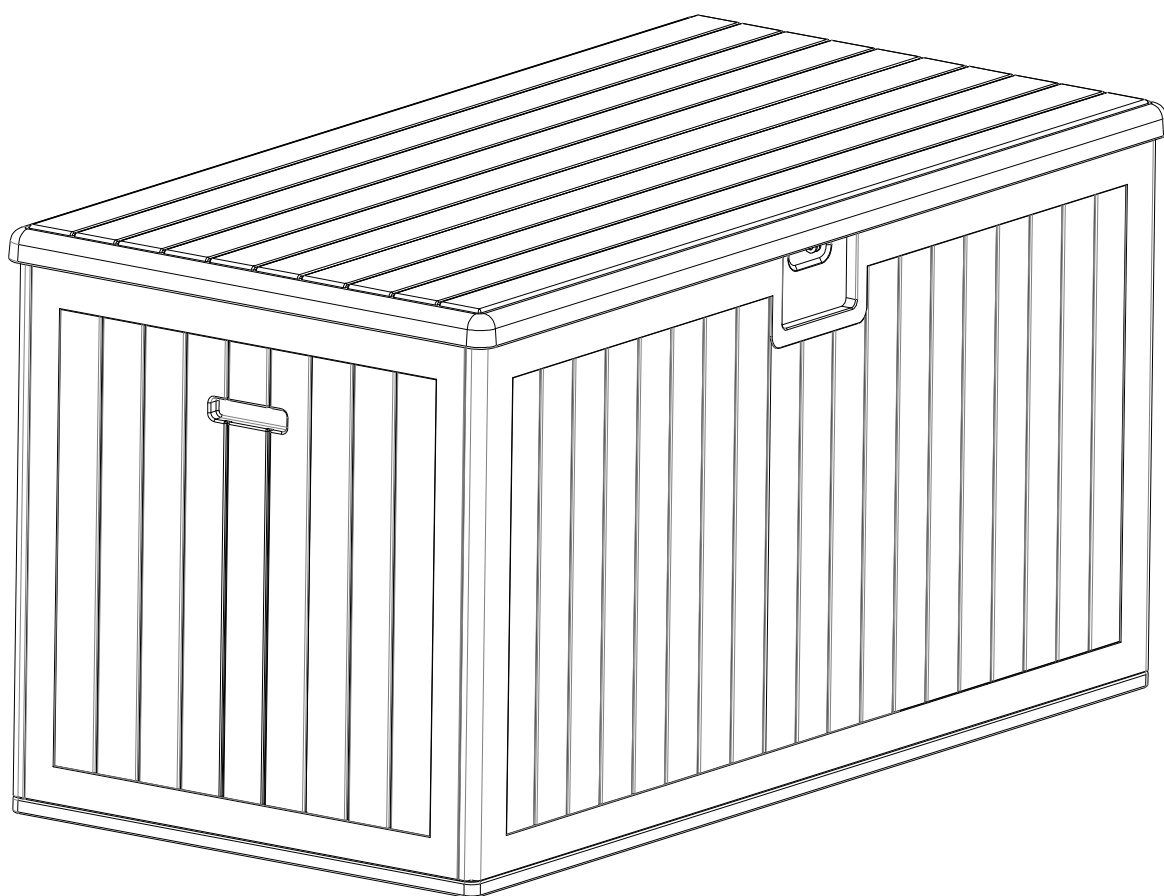
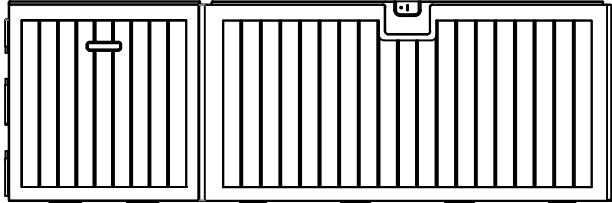
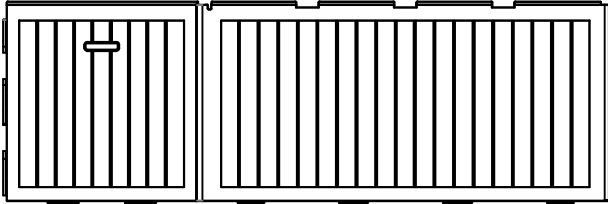
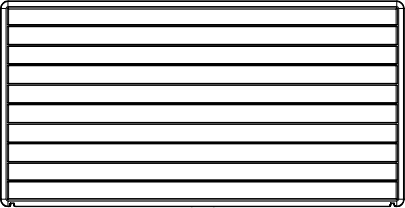
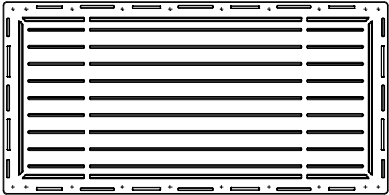
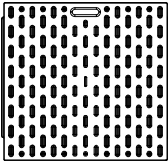
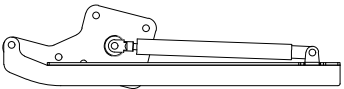
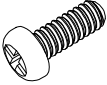
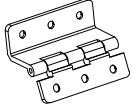

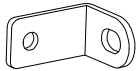

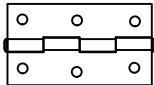

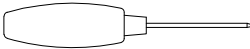


230/260GALS INSTALLATION INSTRUCTIONS

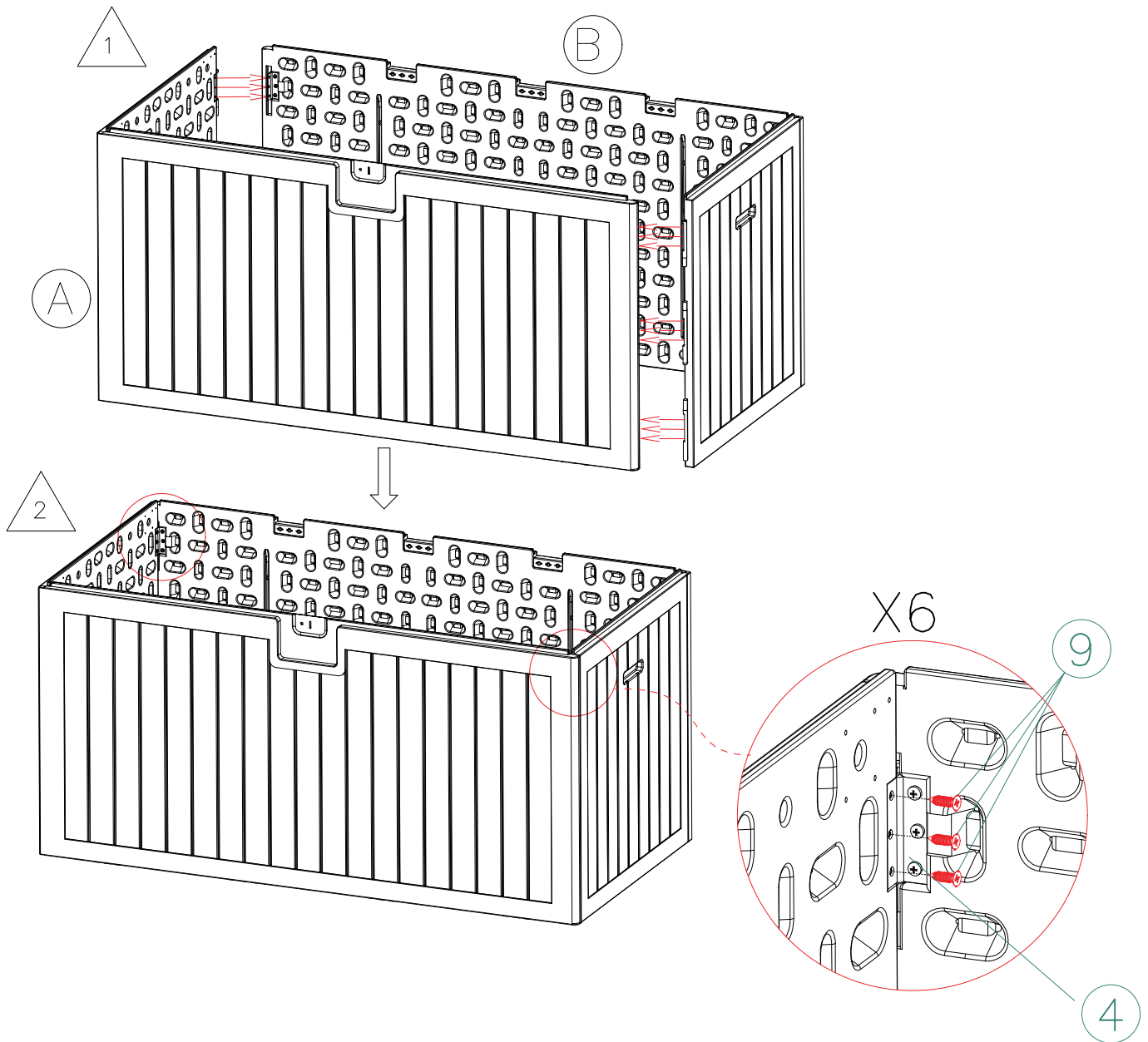


ID	Reference photo	quantity
A		X1
B		X1
C		X1
D		X1
E		X1

①		X2	⑥		M6*12	X7
②		X3	⑦		M6	X1
③		X1	⑧		M5*12	X18
④		X6	⑨		M5*14	X28
⑤		X1				

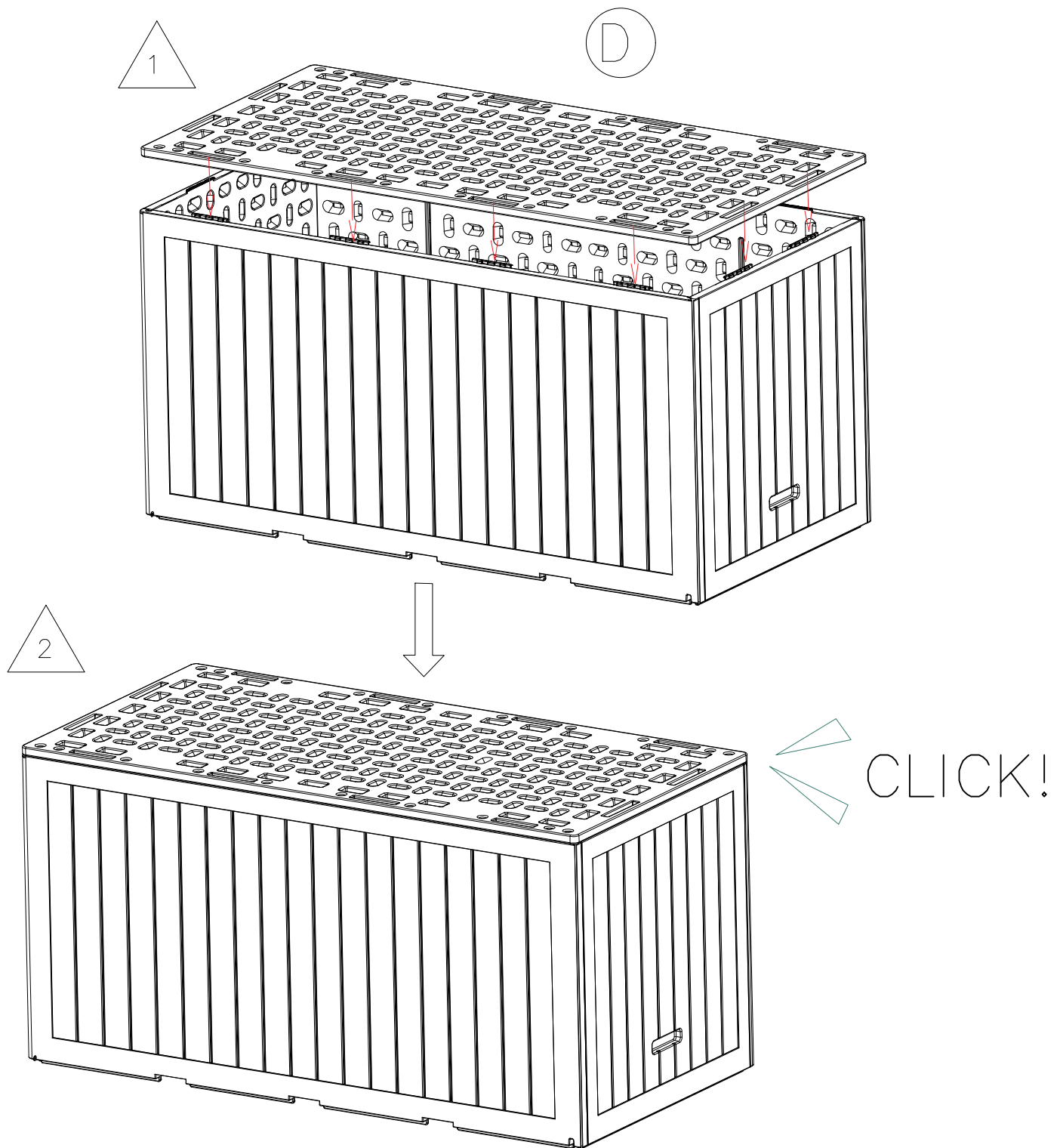
Step 1

A*1 B*1 (4)*6 (9)*18



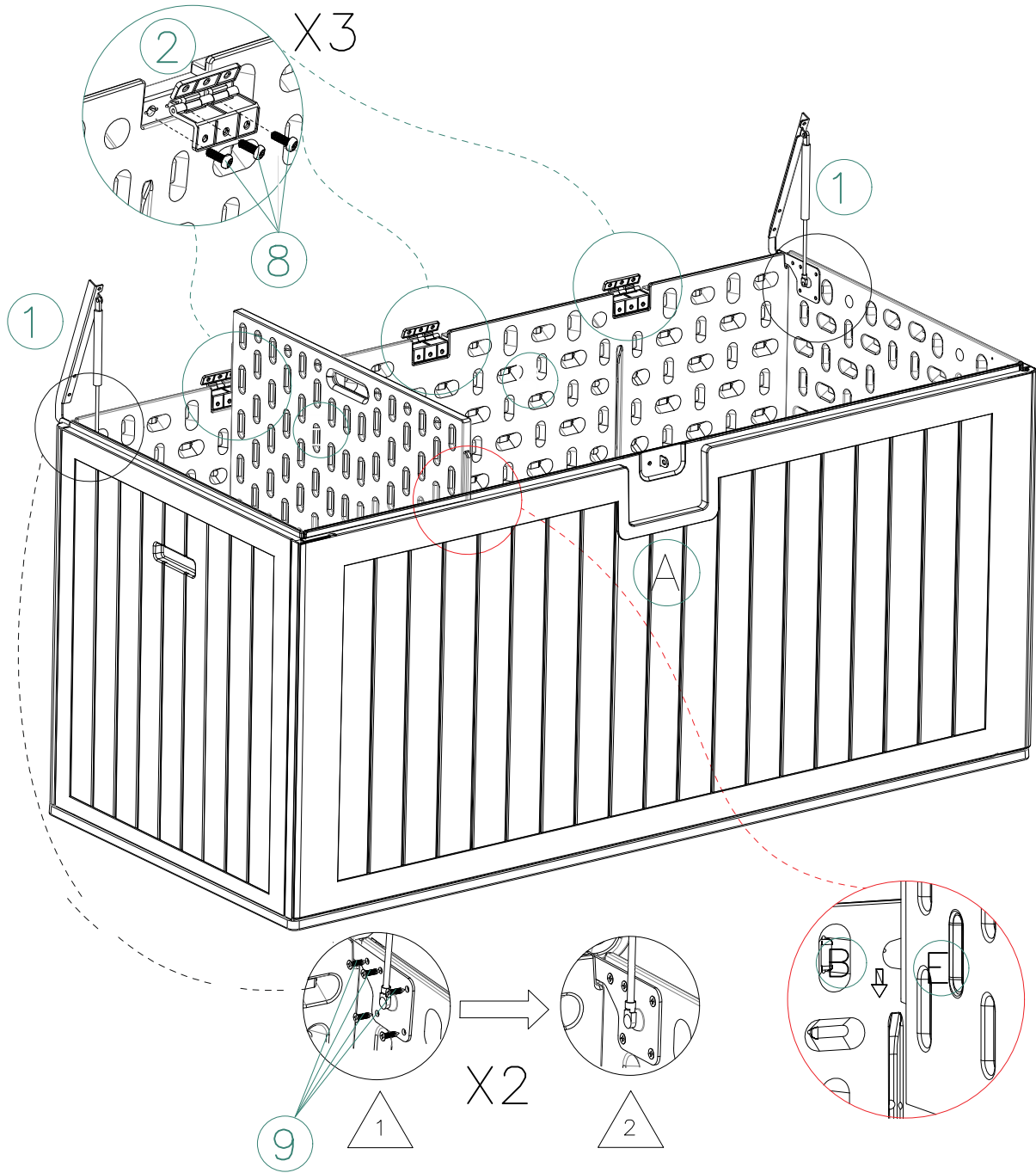
Note: Joints are locked through hinges

Step 2 D*1



Note: After the front and rear side plates are connected, turn them upside down and tap the bottom plate into the slot with a soft hammer tool

Step 3 E*1 ①*2 ②*3 ⑤*1 ⑧*9 ⑨*10



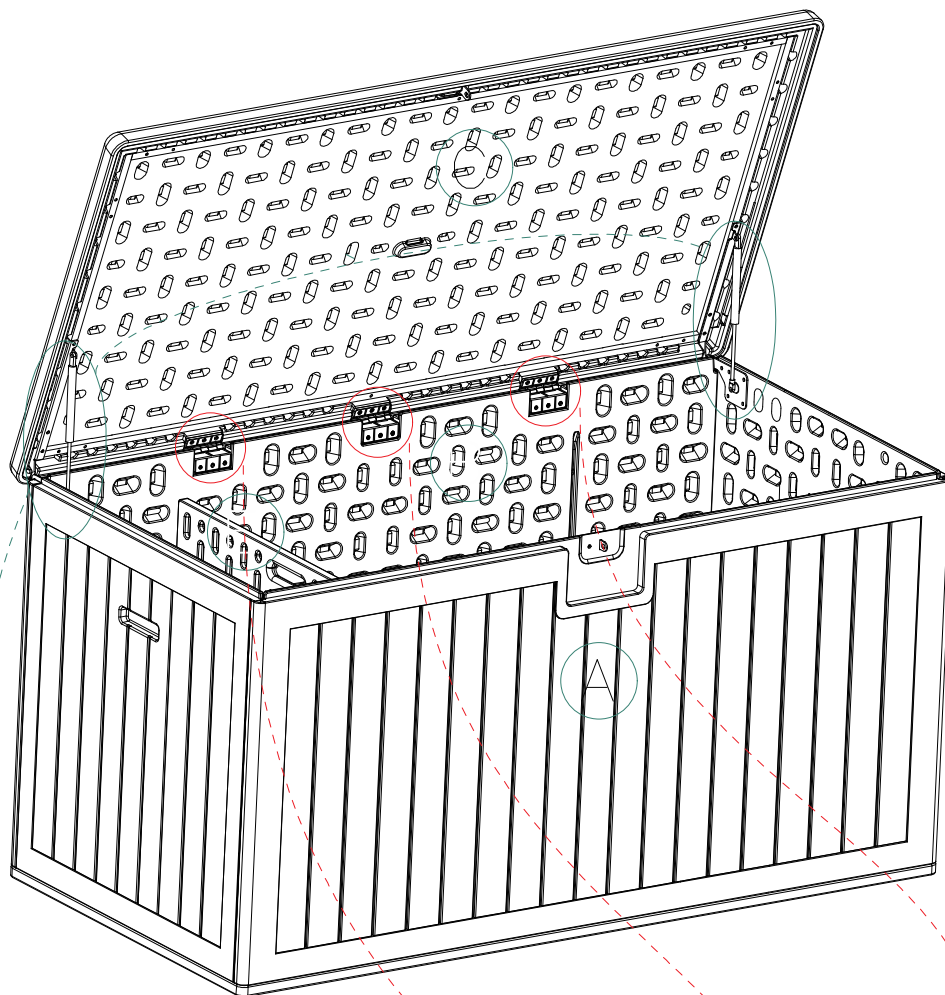
Step 4

C*1

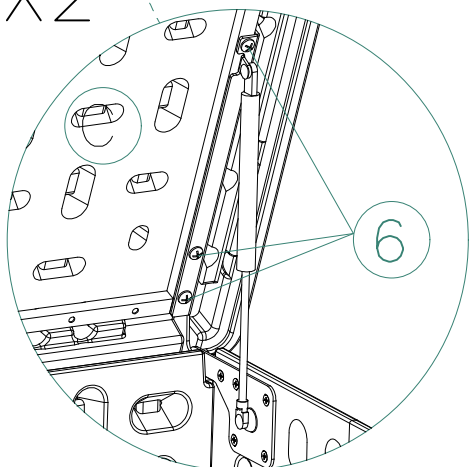
⑤*1

⑥*6

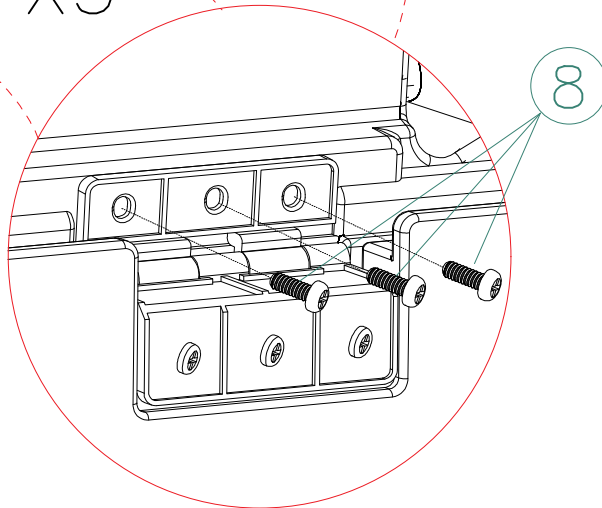
⑧*9



X2

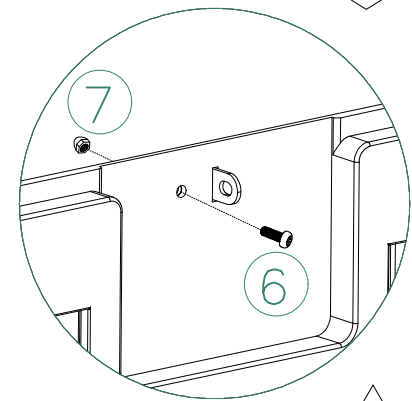
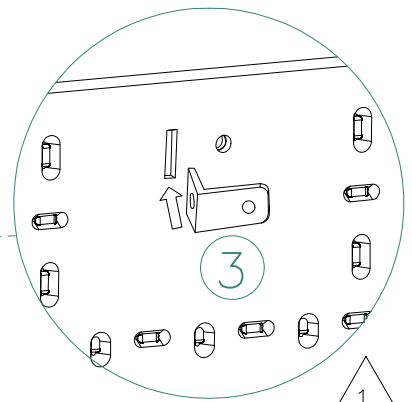
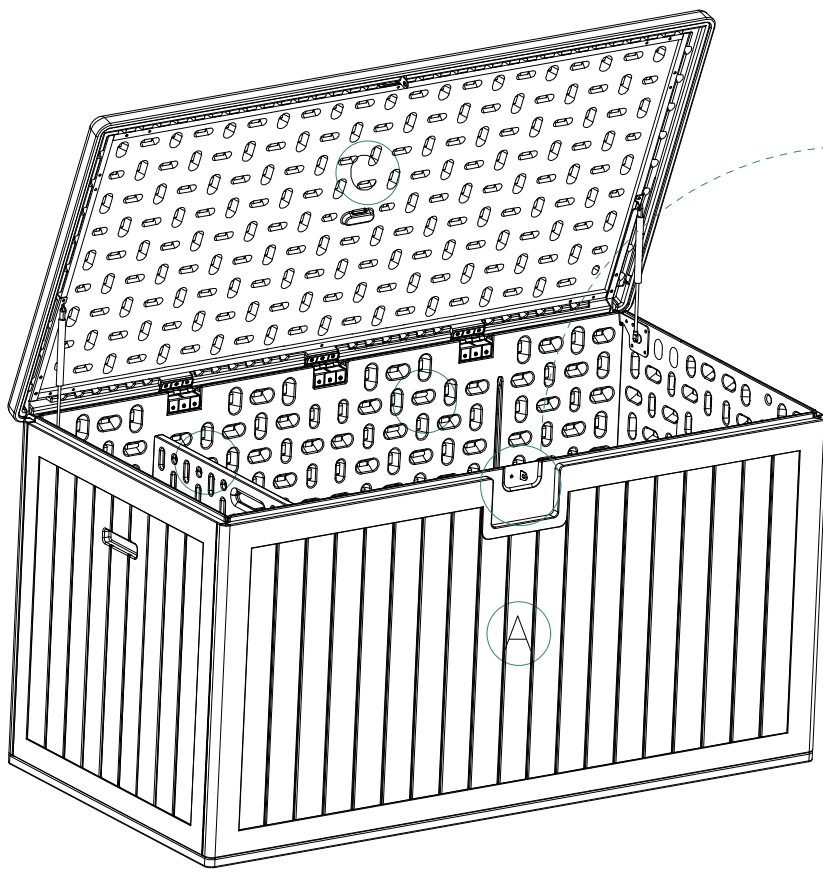


X3

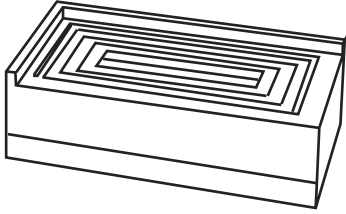


Step 5

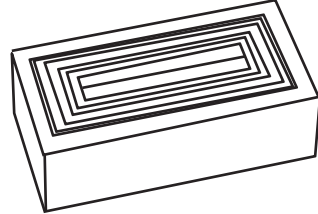
⑥*1 ③*1 ⑦*1



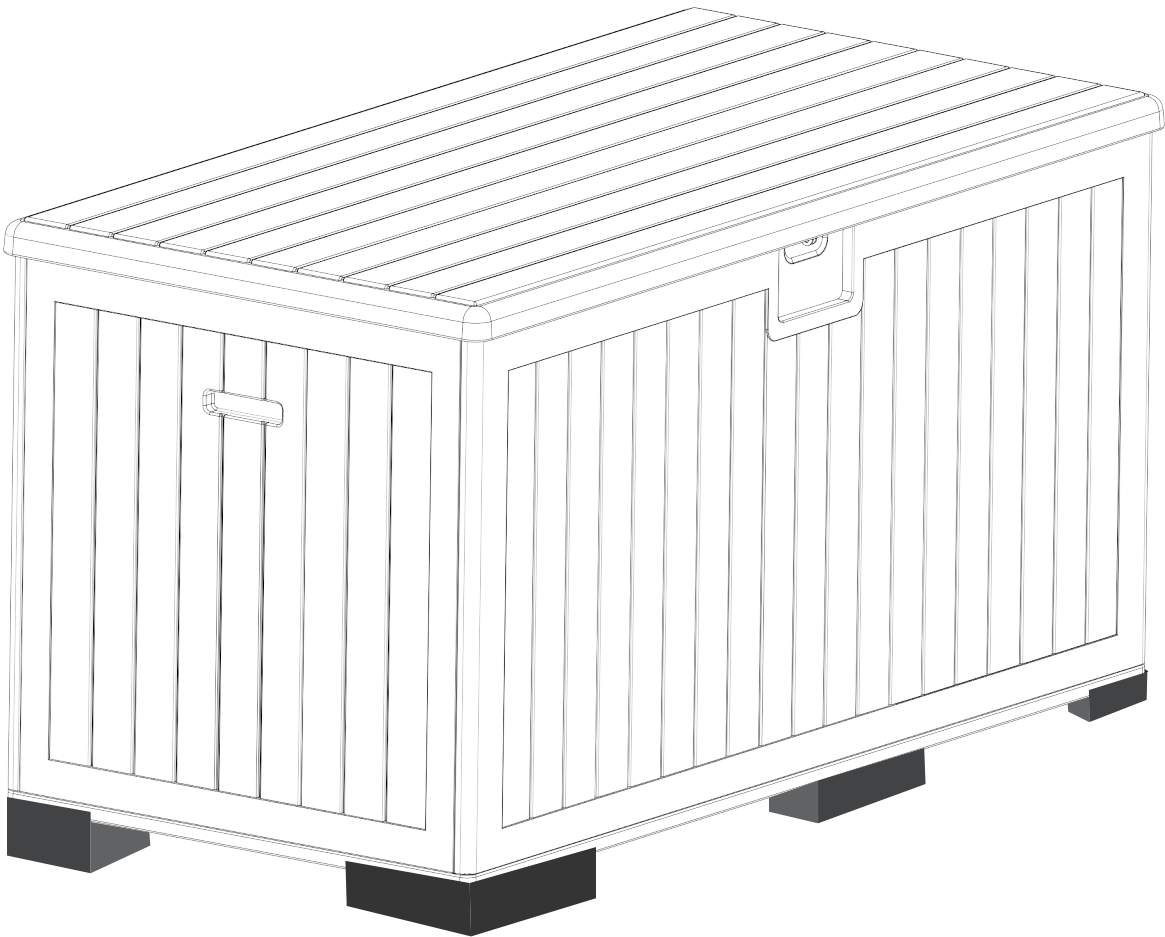
Footpad Instruction (Optional Installation)



x 4



x 2



Instructions: Please note that the included foot pads are provided as a complimentary gift and are not covered under our standard warranty or return policy.