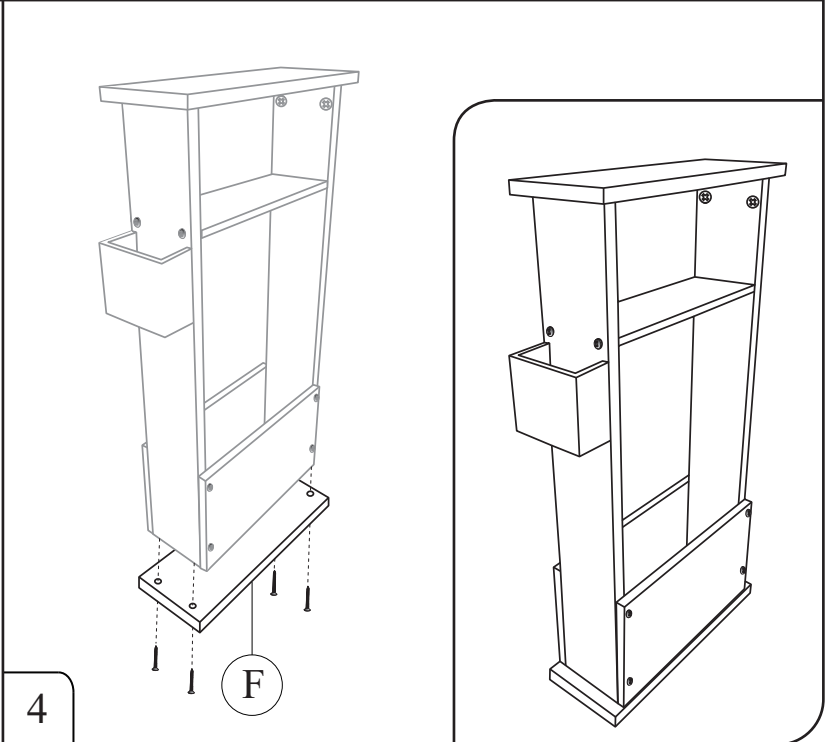
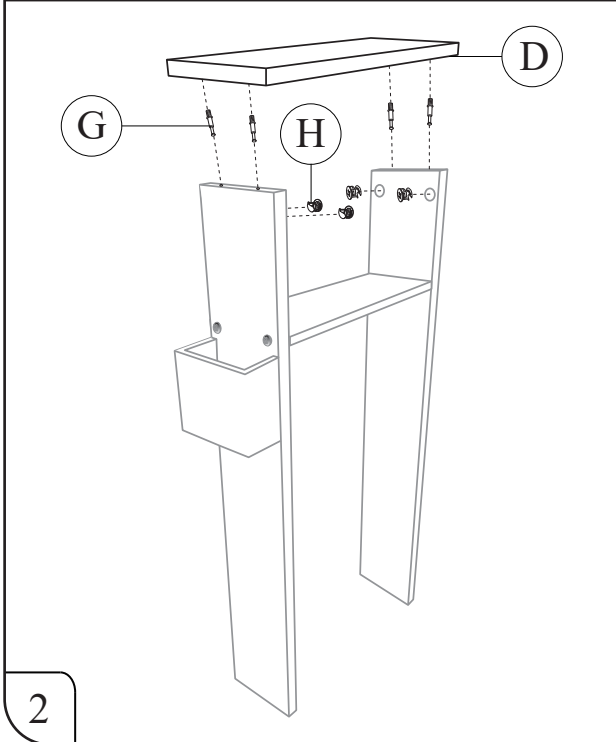
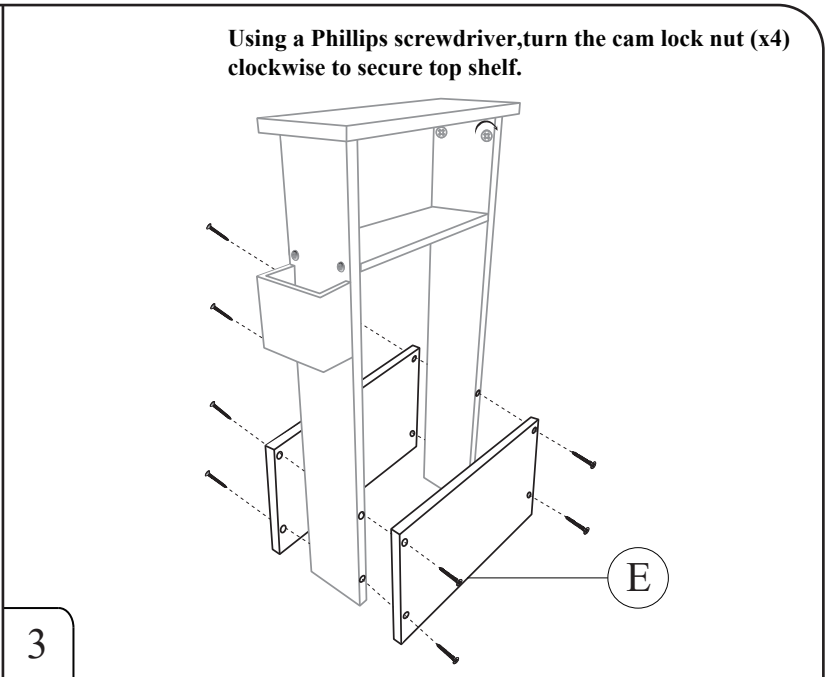
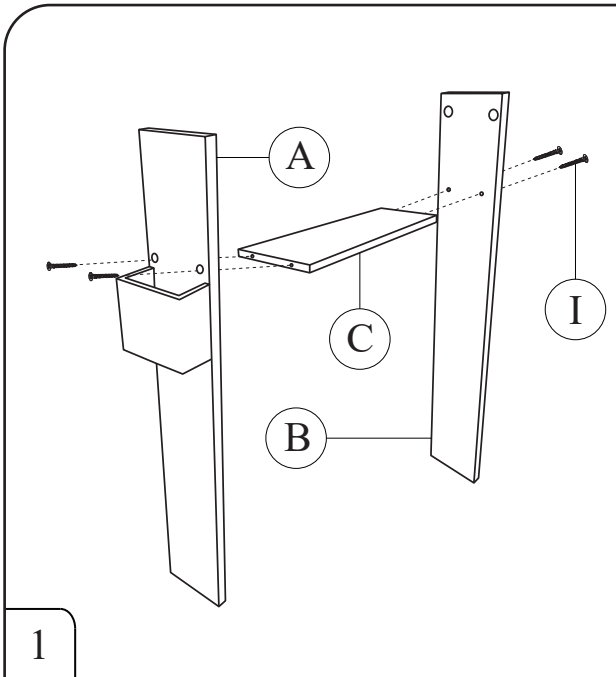


# Vintage Wood End Table with Magazine Holder



No.	A	B	C	D	E	F	G	H	I
Part									
Pcs	1	1	1	1	2	1	4	4	16

\*4 holes only on bottom-side

\*4 thru holes (visible on both sides)

M6×40 M15×11 S5×42