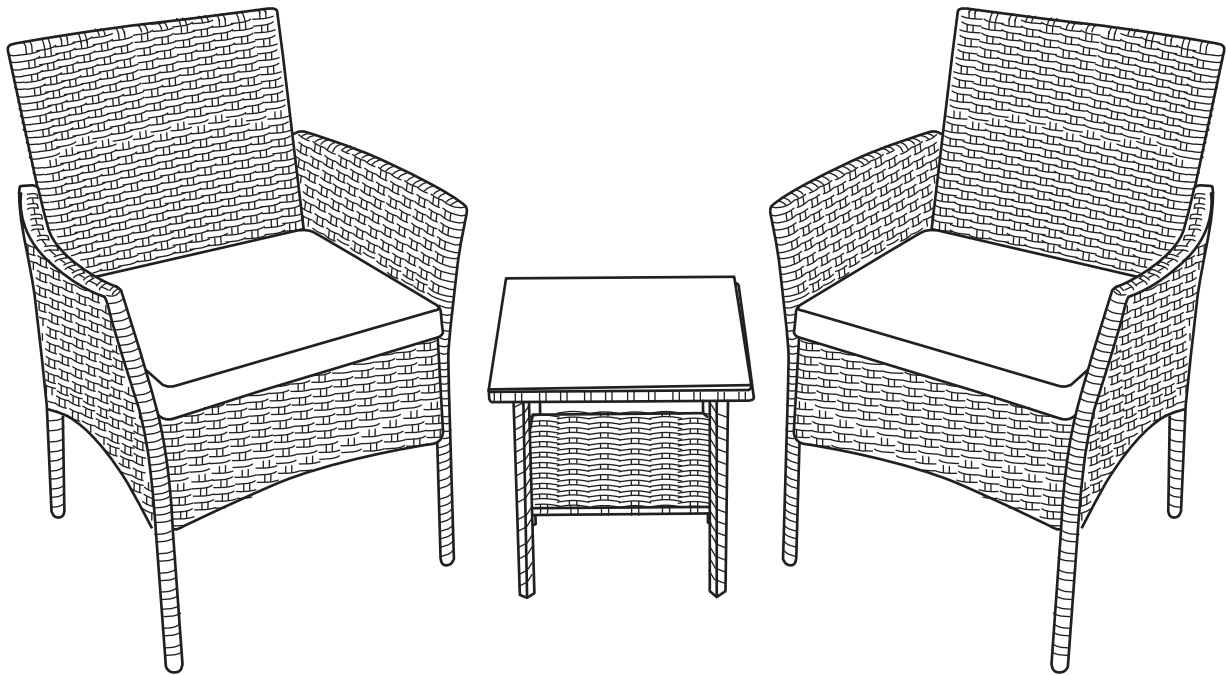


PATIO FURNITURE ASSEMBLY INSTRUCTIONS

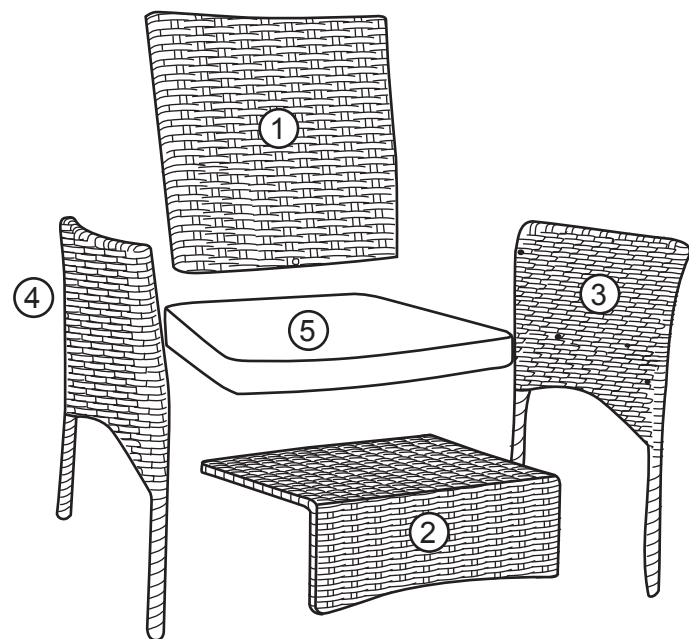


Warning

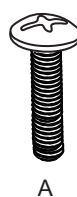
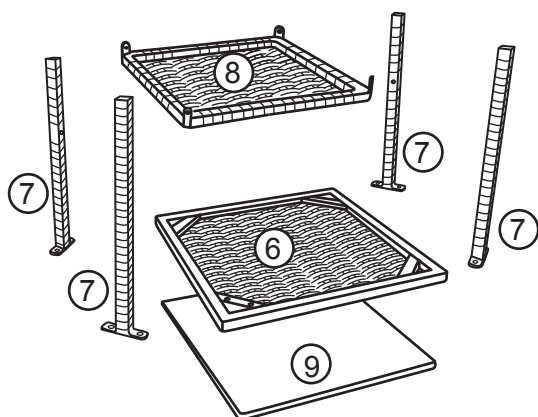
Please read the instructions manual carefully before assembly

Please assemble it strictly in accordance with the instructions

Please double check to ensure that all parts of the package contents intact you can use a wooden hammer to help assemble to make sure the joints and tubes assembled in position



NO.	PARTS	QTY
①	Back Rest	2
②	Seat Panel	2
③	Left Armrest	2
④	Right Armrest	2
⑤	Seat Cushion	2
⑥	Top Frame	1
⑦	Legs	4
⑧	Shelf	1
⑨	Glass Top	1
A	M6x35mm	18
B	M6x15mm	12
C	Screwdriver	1



A

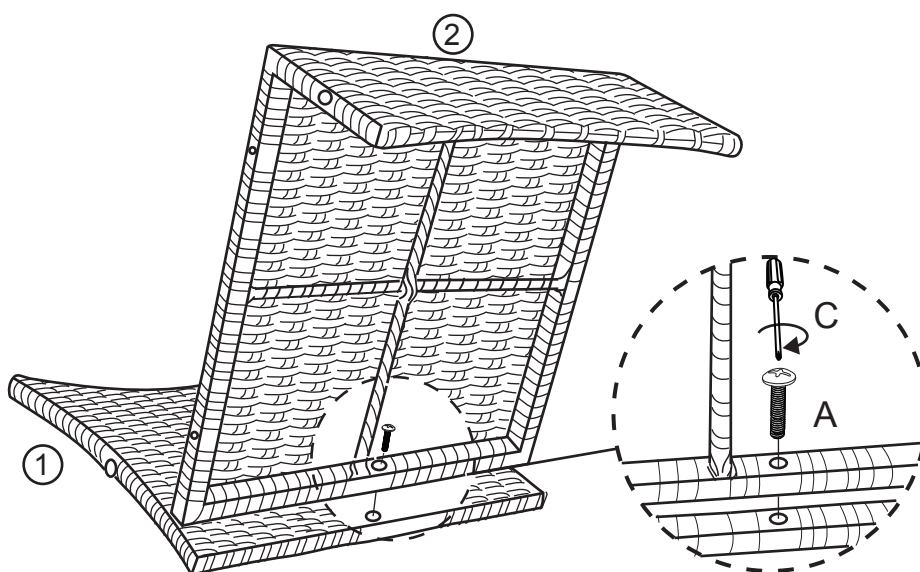


B



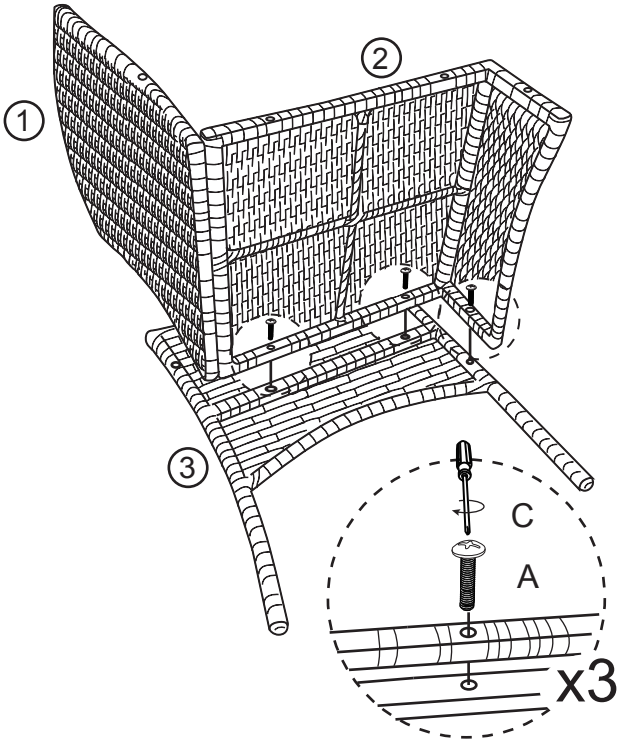
C

1

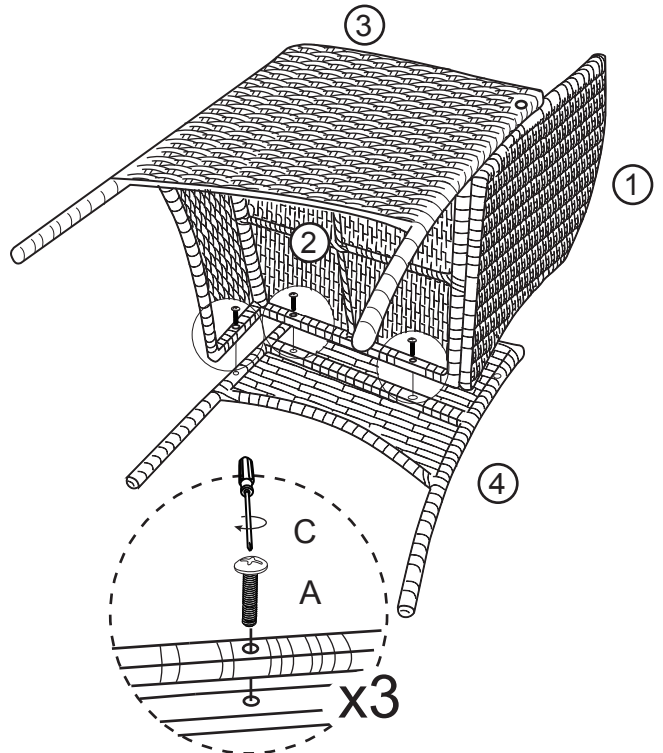


⚠ don't tight all screws until assembly is finish.

2

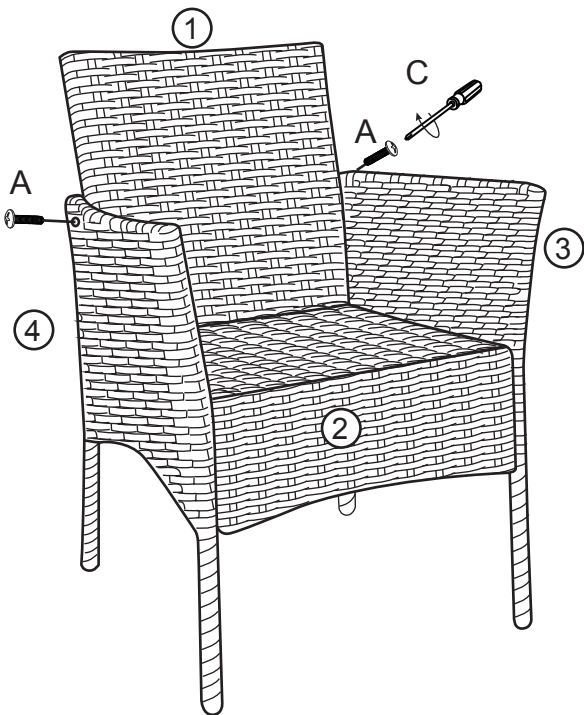


3

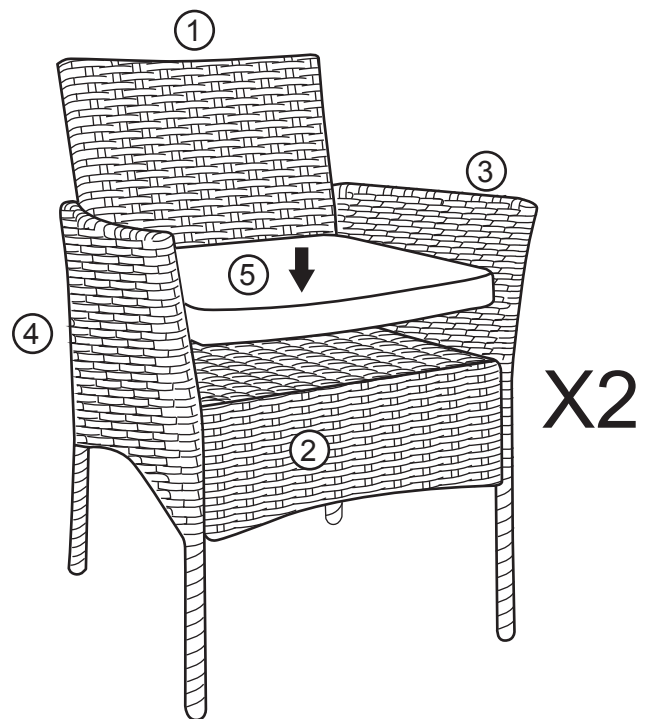


⚠ don't tight all screws until assembly is finish.

4



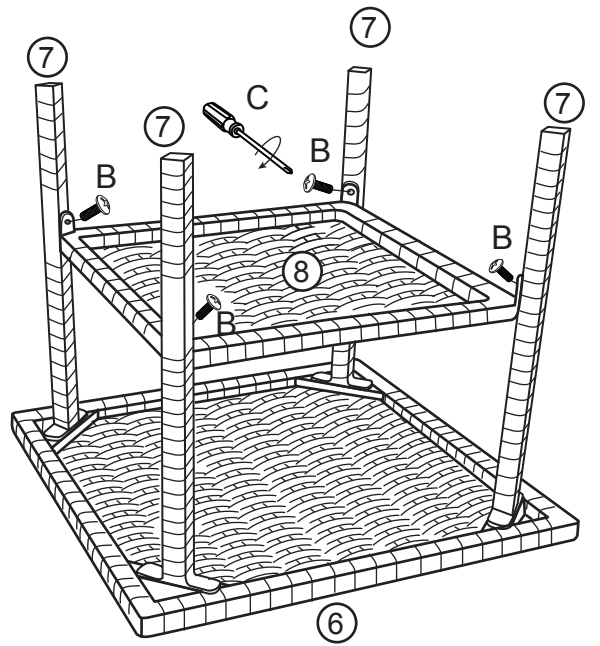
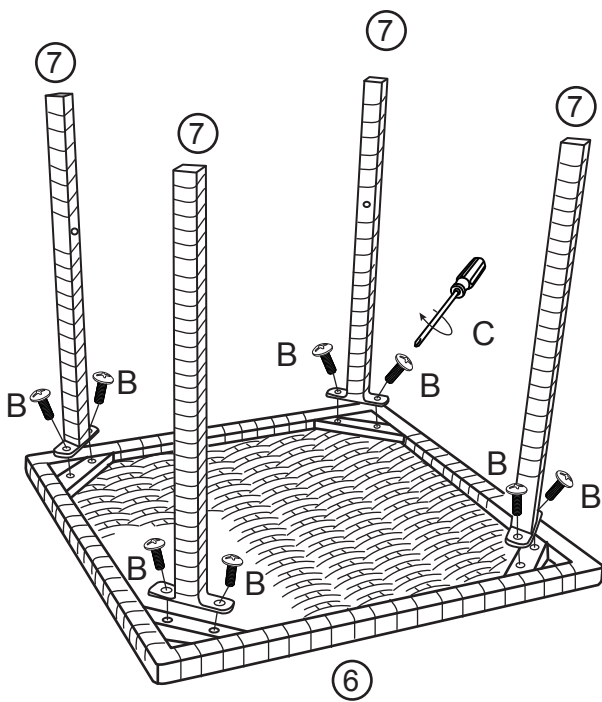
5



⚠ don't tight all screws until assembly is finish.

6

7



⚠ don't tight all screws until assembly is finish.

8

9

