



OUTDOOR COOKING

Outdoor Warming Drawer
GWD

Use and Care Manual
Installation Instructions

 HESTAN

WARNING

IF THE INFORMATION IN THIS MANUAL IS NOT FOLLOWED EXACTLY, A FIRE OR EXPLOSION MAY RESULT CAUSING PROPERTY DAMAGE, PERSONAL INJURY, OR DEATH.

Do not store or use gasoline or other flammable vapors and liquids in the vicinity of this or any other appliance.

Installation and service must be performed by a qualified installer or service agency.

DO NOT REPAIR, REPLACE OR REMOVE ANY PART OF THE APPLIANCE UNLESS SPECIFICALLY RECOMMENDED IN THE MANUALS. IMPROPER INSTALLATION, SERVICE OR MAINTENANCE CAN CAUSE INJURY OR PROPERTY DAMAGE. REFER TO THIS MANUAL FOR GUIDANCE. ALL OTHER SERVICING SHOULD BE DONE BY A HESTAN AUTHORIZED SERVICE TECHNICIAN.

READ THESE INSTRUCTIONS CAREFULLY AND COMPLETELY BEFORE INSTALLING OR USING YOUR APPLIANCE TO REDUCE THE RISK OF FIRE, BURN HAZARD, OR OTHER INJURY. KEEP THIS MANUAL FOR FUTURE REFERENCE.

SAFETY DEFINITIONS

 WARNING THIS INDICATES THAT DEATH OR SERIOUS INJURY MAY OCCUR AS A RESULT OF NOT OBSERVING THIS WARNING

 CAUTION THIS INDICATES THAT MINOR OR MODERATE INJURY MAY OCCUR AS A RESULT OF NOT OBSERVING THIS WARNING.

NOTICE THIS INDICATES THAT DAMAGE TO THE APPLIANCE OR PROPERTY MAY OCCUR AS A RESULT OF NOT OBSERVING THIS WARNING.

INSTALLER: LEAVE THIS MANUAL WITH THE OWNER OF THE APPLIANCE.

HOMEOWNER: RETAIN THIS MANUAL FOR FUTURE REFERENCE.

**HESTAN OUTDOOR, MOST
POWERFUL, VERSATILE
AND RELIABLE OUTDOOR
COOKING AVAILABLE.**





Message from Hestan:

Outdoor cooking is a perfectionist's pursuit, and with your new investment, you've now taken the ultimate step forward. We sincerely welcome you to the Hestan Family. We've engineered and built our products so that your guests will rave about your meal, but deep down, our customers know it could've been just a little more tender, juicier – a pinch more salt in the rub or a few seconds less on the flame. Yes, we've taken the time to know our Hestan customer and we're excited to be on this journey with you. Hestan Outdoor was born from this same perfectionist passion. Our engineers experimented, innovated, tweaked and tinkered until they created the most powerful, versatile and reliable outdoor products available.

We pride ourselves on restless innovation, superior engineering and purpose-built designs, but also our in-depth understanding of our target consumer and the interests and needs of the ultimate end-users we serve and covet. For many consumers, cooking outdoors is much more than an act of food preparation. It's a lifestyle activity that encompasses culinary, leisure and social pursuits among others.

We are thankful and proud that you have chosen Hestan, and we yearn to have you as a customer for life. We take your decision to choose Hestan most seriously, and we promise to deliver the very best to you.

Welcome to Hestan Outdoor

TABLE OF CONTENTS



EN

5	MODEL NUMBERS
5	RATING LABEL
5	REGULATORY / CODE REQUIREMENTS
6	SAFETY PRECAUTIONS - BEFORE YOU BEGIN
8	USING THE WARMING DRAWER
12	CLEANING AND MAINTENANCE
15	TROUBLESHOOTING
16	INSTALLATION
20	INSTALLATION - CUSTOM DRAWER FACE (-OV MODELS)
22	WIRING SCHEMATIC
23	PARTS / SERVICE
23	LIMITED WARRANTY

⚠️ WARNING

ELECTRICAL SHOCK HAZARD

Disconnect power before installing or servicing appliance. Failure to do so can result in death or electrical shock.

ELECTRICAL GROUNDING

This appliance must be grounded. Grounding reduces the risk of electric shock in the event of a short circuit.

ELECTRICAL SUPPLY

Important: This appliance must be electrically grounded in accordance with local codes, or in the absence of local codes with the National Electrical Code, *ANSI/NFPA 70-1990*.

⚠️ WARNING

Appliances equipped with a flexible electrical supply cord are provided with a three-prong grounding plug. It is imperative that this plug be connected to a properly grounded three-prong receptacle. If the receptacle is not the proper grounding type, contact an electrician. Do not remove the grounding prong from this plug.

This appliance is designed to use a grounded receptacle, 120 VAC Single Phase, 60 Hz, with a current rating as shown in the model number listing on page 5. When installed outdoors, it must be plugged into a Ground Fault Circuit Interrupter (GFCI) protected circuit.

Have the installer show you where the electric circuit breaker is located so you know how to shut off the power to this appliance.





MODEL NUMBERS

MODEL NO.	DESCRIPTION	CIRCUIT BREAKER REQ'D
GWD30	30" Outdoor Warming Drawer	15 Amp

EN





RATING LABEL

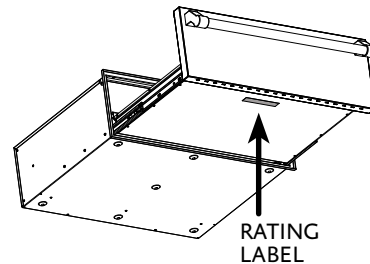
The rating label contains important information about your Hestan appliance such as the model number, serial number, and electrical rating.

The rating label is located on the bottom of the drawer.

If service is necessary, contact Hestan Customer Care with the model and serial number information shown on the label.

 HESTAN COMMERCIAL CORP. ANAHEIM, CA - USA		CONFORMS TO UL STD. 1026 CERTIFIED TO CSA STD. C22.2 No. 64-19 HOUSEHOLD USE ONLY OUTDOOR APPROVED		PATENTED: http://www.hestanhome.com/patents.pdf
VOLTS	120	MODEL / MODÈLE	 261010	
Hz	60			
PHASE	1	SER. NO. / NO. SÉR.		
AMPS	15			
		CONFORME À LA NORME UL STD. 1026 CERTIFIÉ À LA NORME CSA STD. C22.2 No. 64-19 USAGE DOMESTIQUE UNIQUEMENT APPROUVÉ PAR USAGE EXTÉRIEUR		

TYPICAL RATING LABEL



REGULATORY / CODE REQUIREMENTS

Installation of this cooking appliance must be made in accordance with local codes. In the absence of local codes, this unit should be installed in accordance with the National Electrical Code and local codes.

This appliance must be electrically grounded in accordance with local codes or in the absence of local codes with the National Electrical Code *ANSI/NFPA 70*, or Canadian Electrical code *CSA C22.1*.

SAFETY PRECAUTIONS - BEFORE YOU BEGIN



When properly cared for, your Hestan appliance will provide safe, reliable service for many years. When using this appliance, basic safety practices must be followed as outlined below.

IMPORTANT: Save these instructions for the local Utility Inspector's use.

INSTALLER: Please leave these Installation Instructions with the owner.

OWNER: Please retain these Installation Instructions for future reference.

This appliance is NOT designed for installation in manufactured (mobile) homes or recreational park trailers. This appliance is rated for household indoor use, or outdoor use when connected to a properly grounded GFCI-protected circuit.

EN

GENERAL APPLIANCE SAFETY PRECAUTIONS

Please read all instructions before using this appliance.

⚠️ WARNING

Read all instructions carefully before using this appliance. These precautions will reduce the risk of burns, electric shock, fire, and injury to persons. When using kitchen appliances, basic safety precautions must be followed, including the following:

TECHNICAL SAFETY

Do not repair or replace any part of the warming drawer unless specifically recommended. Refer service to an authorized servicer.

Do not operate this appliance if it is not working properly or if it has been damaged, until an authorized servicer has examined it.

Install or locate this appliance only in accordance with the Installation Instructions. Do not cover or block any openings on this appliance.

Use this warming drawer only as described in this manual. If you have any questions, contact Hestan Customer care.

Use this appliance only for its intended use as described in this manual. Do not use corrosive chemicals, vapors, or nonfood products in this appliance. This type of warming drawer is specifically designed to heat or cook. It is not designed for industrial or laboratory use. The use of corrosive chemicals in heating or cleaning will damage the appliance.

CHILD SAFETY

⚠️ CAUTION

IT IS THE RESPONSIBILITY OF THE PARENTS OR GUARDIANS TO ENSURE CHILDREN ARE INSTRUCTED IN THE SAFE USE OF THIS APPLIANCE. Do not allow children to use this appliance without adult supervision. Do not allow children to play in or around the appliance, even when not in use. Items of interest to children should not be stored in or on the appliance or in cabinets above the appliance. Children climbing on the appliance could be seriously injured.

FOOD SAFETY

If food will be held for more than one hour, it must be held at 140°F [60°C] or above. Use a food thermometer to check.



SAFETY PRECAUTIONS - BEFORE YOU BEGIN *(continued)*

GENERAL SAFETY

When using electrical appliances, basic safety precautions should always be followed including the following:

- Do not touch hot surfaces. Use handles or knobs.
- To protect against electrical shock do not immerse cord or plug in water or other liquid.
- Close supervision is necessary when any appliance is used by or near children.
- Unplug from outlet or turn breaker off before cleaning. Allow to cool before removing or replacing parts.
- Do not operate any appliance with a damaged cord or plug or after the appliance malfunctions or has been damaged in any manner. Return appliance to the nearest authorized service facility for examination, repair, or adjustment.
- The use of accessory attachments not recommended by Hestan may cause injuries.
- Do not let cord hang over edge of table or counter, or touch hot surfaces.
- Extreme caution must be used when moving anything containing hot oil or other hot liquids.
- Do not use appliance for other than intended use.
- The inside of the appliance can reach temperatures of 200°F [93°C] depending on the selected temperature and the time of operation. If necessary use gloves to remove items from the drawer.
- Do not lean or sit on the warming drawer when opened, this could cause damage to the drawer slides. The maximum carrying weight of the warming drawer is 80 lbs. [36 kg].
- Do not keep plastic containers or any flammable objects in the appliance. Such objects pose a risk of catching fire once the warming drawer is turned on.
- In the event that personal clothing or hair catches fire, DROP AND ROLL IMMEDIATELY to extinguish flames.

Save these Instructions.

SAFETY DURING CLEANING

Never use a vacuum cleaner. The vacuum could create pressure on the components causing a short circuit. The vacuum may also damage the components of the appliance, damages for which Hestan will not be liable.

Follow suggestions listed under “Cleaning and Maintenance” in this manual.

Never use sharp metal objects or abrasive scrubbing pads, as they can damage the surface of the appliance. If necessary, use standard non-abrasive utensils made of wood or plastic.

REPAIRS

Maintenance work and/or repairs must be performed exclusively by qualified personnel. Incorrect installation and maintenance can cause personal injury to the consumer for which Hestan will not be liable.

During the warranty period, the appliance may only be serviced by technicians authorized by Hestan or the warranty will be void.

Before beginning maintenance, installation, or repair work, disconnect the appliance from the electrical outlet. The appliance is disconnected only if either:

1. The circuit is turned off (Breaker OFF or the electrical fuse is removed), OR
2. The cord of the appliance is removed from the electrical outlet.

Hestan will not be liable for damage caused by a failure to follow current regulations or the use of non-original replacement parts.

USING THE WARMING DRAWER



EN

OPENING THE SOFT CLOSING DRAWER

To open the drawer grasp the handle and pull the drawer.

CLOSING THE DRAWER

To close the drawer, gently push the drawer back to engage the soft-close slides of the drawer.

BEFORE YOU BEGIN

Before using the appliance for the first time:

1. Make sure that all packaging materials have been removed from the unit.
 2. Gently clean it with a moist cloth and dry it completely as described under “Cleaning and Maintenance”. Replace the silicone mat on the floor of the drawer.
 3. Set the control to 150°F [65°C] and let the warming drawer warm for at least two hours (see OPERATION on pg. 10 for details). Be sure that the kitchen is kept well ventilated during the heating period.
- The metal parts have been specially treated with a protective coating that can sometimes cause odors the first time the drawer is heated. These odors will quickly dissipate and should not be considered a defect of the appliance.

HEATING SYSTEM

The appliance is equipped with a hot air ventilating system. A convection fan distributes heat in the warming drawer to obtain a uniform temperature.

- The thermostat allows the user to control and set the appliance at 4 preset temperatures.
- The circulation of the air heats the drawer in a rapid and uniform way.
- It is not possible to accidentally touch the heating element or the fan.

CHANGING TEMPERATURE SCALE

The unit is set to the Fahrenheit (°F) temperature scale by default. If you wish to change to Celsius (°C), do the following:

1. With unit off, press the TEMP button then POWER button and hold for 30 seconds. The control is in °C mode when the right-most decimal point in the display is on.
2. Use the same process to revert to °F mode.



USING THE WARMING DRAWER *(continued)*

CONTROLS AND INDICATORS

The warming drawer features a digital control with a 3-digit time/temperature display. There are 4 preset temperatures and 5 time intervals as detailed in the instructions below.

An interior halogen light comes on when the drawer is opened.

A red power indicator light is present on the control, and shines through a small lens on the exterior of the drawer face.



OPERATION

1. Open the drawer and place your dishes or food products inside. The silicone rubber mat inside the drawer prevents items from sliding around inside the drawer.
2. Press the POWER button. The display will briefly show a software revision, then go blank. The red power indicator light will illuminate.
3. Press the TEMP button to cycle through the 4 preset temperatures: 100, 125, 150, 200°F [38, 52, 65, 93°C]. The default temperature is 100°F [38°C]. The set temperature is always displayed except when adjusting the time. This action initiates the heating cycle. The convection fan will begin rotating and will be on at all times until the time has run out and the unit shuts down.
4. Press the TIME button to cycle through the 5 preset time intervals: 0.5, 1, 2, 3, 4 hours. During the selection, the display shows the time for 3 seconds, and then returns to display the set temperature.
5. During operation, the heating element will cycle to maintain the set temperature inside the drawer cavity. The unit will chime at the end of the time interval and then shut down automatically. The display and power indicator light will also shut off.
6. If at any time you wish to change the temperature or the time interval, shut off the unit (POWER button) and repeat steps 2-4 above.

To turn off the appliance, press the POWER button.

HEATING TIME

The heating time is influenced by:

- Amount of dishes or food in the drawer
- The arrangement of items in the drawer
- The temperature setting

In general, the more dishes or items in the drawer and the higher the set temperature, the longer it will take to reach the set temperature.

DISH WARMING

- Food safety standards recommend hot foods should be kept at an internal temperature of 140°F [60°C] or warmer. Warming your dishes at a setting of 150°F [65°C] will help accomplish this.
- Warming time will depend on the amount and type of plates you place in the drawer. With experience you will learn the optimal temperature setting for your needs.

USING THE WARMING DRAWER *(continued)*



EN

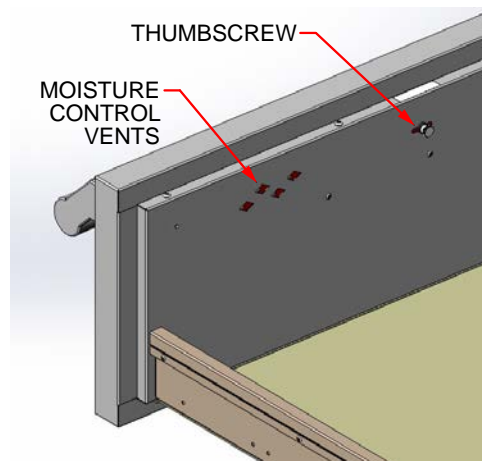
DEFROSTING

It is possible to defrost foods in the warming drawer, but a low temperature setting of 100 or 125°F [38 or 52°C] is recommended. Be sure to place your food item on a plate or other receptacle to catch any melting water.

PROOFING

Proofing of bread dough should be done at a low temperature of 100°F [38°C]. Depending on the dough type, you may also need added moisture during the prove. Place 1 cup [250 ml] of very hot water in a small glass measuring cup or small bowl inside the warming drawer next to your dough. This will add moisture and will keep the dough soft during rising. Place the bowl of dough in the warming drawer and close.

The warming drawer features a moisture control system of small vents on the inside face of the drawer. Loosen the thumbscrew and slide the shutter left or right to adjust the amount of moisture inside the drawer. Re-tighten the thumbscrew.



FOOD WARMING

Food recommended for warming: meat, chicken, fish, sauces, vegetables, side dishes and soups, breads, pizza.

- To avoid spills, do not overfill the dishes.
 - Arrange the dishes in the drawer and close it carefully so that any liquids do not spill.
 - It is advisable not to warm food for more than an hour to prevent it from losing nutritional value.
 - If food will be held for more than one hour, it must be held at 140°F [60°C] or above.
- Cover moist food and liquids with a lid or heat-resistant cling film. This will prevent the moisture from escaping, condensation from forming, and moisture settling on the outside of the dishes.

Do not cover roast or fried dishes which need to stay crisp. Keep these dishes hot at high temperatures.

SLOW COOKING

NOTICE THIS COOKING METHOD IS LIMITED BY THE MAXIMUM TIME INTERVAL OF THE CONTROL (4 HOURS). IF YOUR RECIPE REQUIRES A LONGER TIME, YOU WILL HAVE TO RESTART THE UNIT AGAIN AFTER THE INITIAL 4 HOURS.

Slow cooking is ideal for cooking tender meat which needs to be medium rare or rare. This cooking method means the meat will always be pink inside. This does not, however, mean that the meat is raw or undercooked.

- This cooking method not only keeps the juices inside, but it also makes it easy to keep the meat hot.
- Suitable dishes to use: glass, porcelain or ceramic with a lid.

PROCEDURE

1. Preheat the warming drawer with the chosen dish at 200°F [93°C] for 15 minutes.
2. Heat some butter or oil in a pan. Brown the meat well for the time indicated in the table, then place it immediately in the preheated pan and cover with the lid.
3. Restart the control between 150/200°F [65/93°C] for the time required to finish the cooking. (See notice above regarding cooking times longer than 4 hours).



USING THE WARMING DRAWER *(continued)*

TIPS FOR SLOW COOKING

- Only use fresh meat in perfect condition.
- Trim off any excess fat.
- The pieces of meat do not necessarily have to be turned.
- Once cooked, the meat can be carved immediately; it does not have to rest.
- Meat that is slow cooked is not as hot as meat cooked in the traditional way, so it is advisable to put the plates in the warming drawer on the left-hand side for the last 20-30 minutes as well.
- Serve the meat with piping hot sauces.
- If you want to keep the meat hot after cooking, restart the control at a lower temperature (100-150°F [38-65°C]). Smaller pieces of meat can be kept hot for 45 minutes and larger pieces for two hours.

APPLICATIONS

Slow cooking is suitable for all tender cuts of beef, pork, veal, lamb, game and poultry. The initial browning times and the subsequent cooking times depend on the size of the slices of meat.

The browning time is for meat placed in a preheated pan with butter or oil.

DISH EXAMPLE	INITIAL BROWNING	LEVEL
Small slices of meat		
Strips	about 1 - 2 minutes	150
Small steaks or medallions	about 1 - 2 minutes per side	150
Medium size slices of meat		
Tenderloin	about 4 - 5 minutes per side	200
Lean roast	about 10 - 15 minutes per side	200
Large slices of meat		
Tenderloin (from 2 lbs. [900g])	about 6 - 8 minutes per side	200
Roast beef	about 8 - 10 minutes per side	200
Vegetables	about 30 minutes per side	150

COOKING TIMES: As a guideline, allow 4 to 5 hours for a 200°F [93°C] setting, and 8 to 10 hours for a 150°F [65°C] setting. Smaller quantities of food may require less time, while larger quantities may require more time.

CLEANING AND MAINTENANCE



EN

DRAWER SLIDES

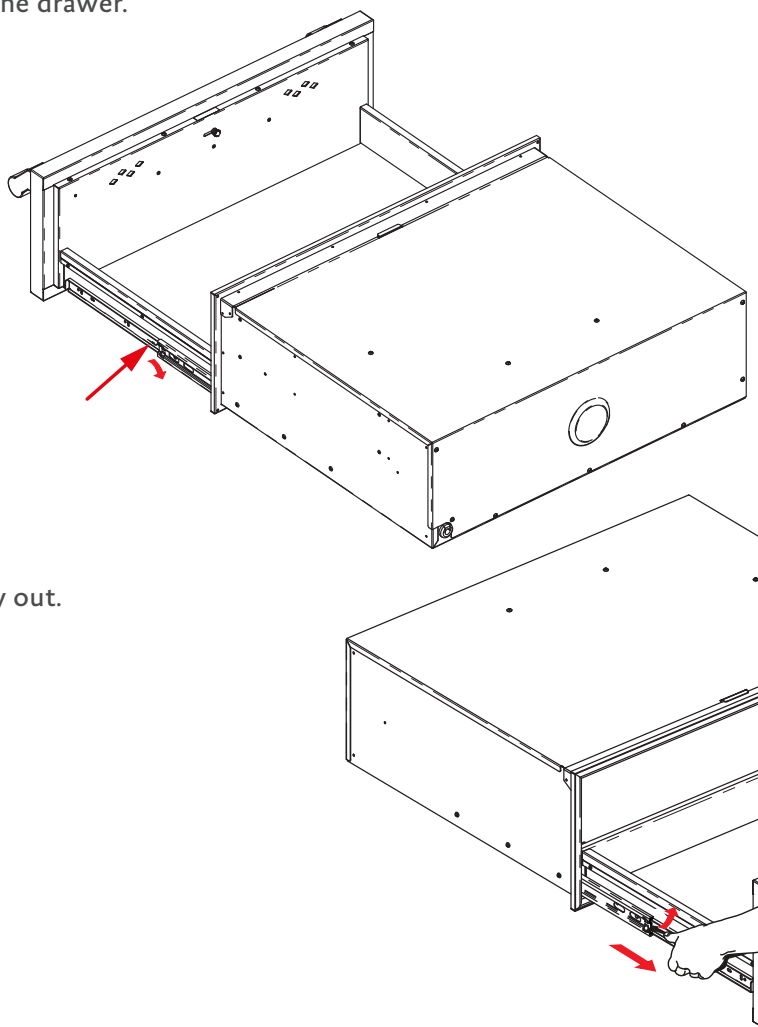
The drawer slides allow you to fully extend the drawer for cleaning. The drawer can also be completely removed for cleaning or to replace the interior light.

NOTE: Load capacity for the drawer is 80 lbs [36 kg].

Remove all items from inside the warming drawer, and allow the warming drawer to cool completely before attempting to remove the drawer.

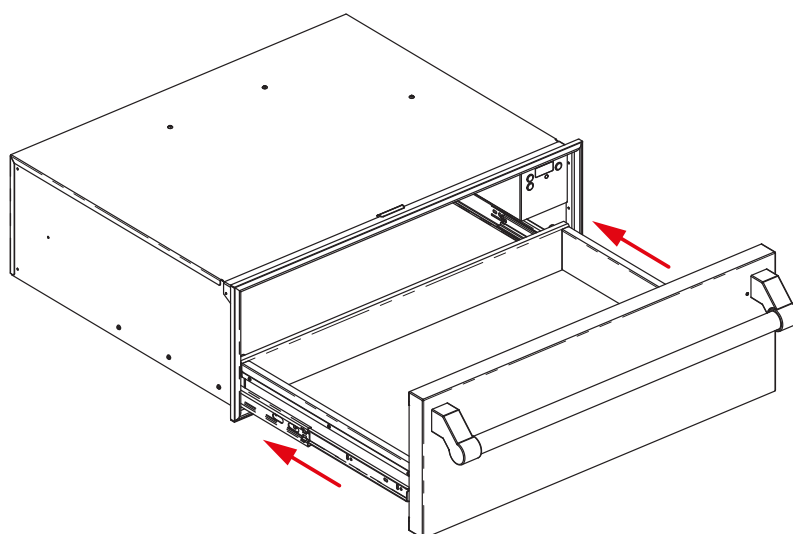
TO REMOVE:

1. Open drawer to its fully open position.
2. Locate the black tabs on both sides of the drawer.
3. Press the tab down on the right side of the drawer and lift tab up on the left side of the drawer at the same time. Then pull drawer out another inch to disengage the latches.
4. Hold the drawer by the sides (not by the front). Pull it slowly all the way out.



TO REPLACE:

1. Align the drawer rails with the receiving slides.
2. Push drawer in all the way.
3. Gently open and close the drawer to ensure it is seated properly on the slides.





CLEANING AND MAINTENANCE *(continued)*

CLEANING

The only recommended maintenance for the Warming Drawer is cleaning.

▲WARNING

Before you begin cleaning, turn the appliance OFF and disconnect the appliance from the outlet or shut off the breaker. Allow the appliance to cool before cleaning it.

NOTICE

Do not use harsh detergents or abrasive products and/or scrubbing pads and sponges and sharp objects as they can stain and damage the appearance of the appliance.

Never use a vacuum cleaner on the internal parts of the appliance.

FRONT SURFACE AND CONTROL PANEL

The use of a moist cloth is often sufficient when cleaning the appliance. If needed, add a few drops of liquid detergent in the water. Dry the appliance with a dry cloth. The stainless steel front of the appliance can be cleaned with products specifically designed for stainless steel. Such products prevent the formation of dirt on the surface of the drawer. Apply a minimal amount of the product on a soft cloth and apply it to the surface of the appliance.

Clean the control panel ONLY with a cloth moistened with plain water. The special plastic surface may discolor or become opaque if you use any harsh cleaners.

If your Hestan appliance has a colored drawer panel, use warm soapy water ONLY. Rinse and dry thoroughly.

DRAWER INTERIOR

Use a moist cloth to clean the drawer interior. In the event the appliance requires further cleaning add drops of detergent to the water. Dry the surface with a dry cloth. Make sure to avoid excessive water entering into the moisture control vents on the inside face of the drawer, or the heating louvers and fan openings at the rear wall of the drawer cavity. Only use the appliance after the drawer is completely dry.

The silicone rubber mat can be cleaned with mild detergent and water.

REPLACING A WARMING DRAWER LIGHT BULB

The Warming Drawer is equipped with a halogen light located on the right side of the unit.

▲WARNING

ELECTRICAL SHOCK HAZARD - Make sure the power has been shut off to the Warming Drawer. The light socket is energized when the drawer is open. Failure to shut off the power when replacing a light bulb could result in electric shock or burns.

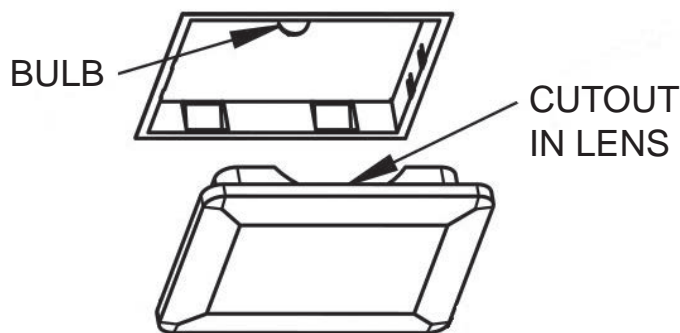
Make sure the glass lens is cool to the touch. Use care when handling the lens, it is fragile and can break if dropped.

Use only 20 watt, 12 volt, halogen "Bi-Pin" bulbs suitable for appliance use. This type of bulb may be available at hardware stores & home centers, or specialty lighting stores. Call Hestan Customer Care for more information.



TO REPLACE A LIGHT BULB

1. **MAKE SURE POWER IS OFF!** Unplug the unit or turn off power at the breaker. **MAKE SURE THE LAMP IS COOL.** The hot lens and/or bulb can be VERY hot.
2. You may wish to remove the drawer (see page 12) before changing the bulb.
3. Use a small flat-blade screwdriver to carefully pry off the glass lens at the top edge of the lens, and set aside. Reach into the lamp housing and pull out the old light bulb.
4. Before installation, it is very important to clean the new bulb carefully with a clean, soft cloth or tissue paper. Grease, fingerprints, or oils in your skin can leave a residue on the glass surface of the bulb which will create a hot-spot. The bulb will eventually crack at this hot-spot.
5. While still using a cloth or tissue paper, insert the new bulb in the lamp housing. Push the bulb fully into the socket.
6. Re-install the glass lens taking note of the cutout in the glass which aligns with the bulb socket.
7. Restore the power and check if the new bulb is working.
8. If the drawer was removed, re-install it.





TROUBLESHOOTING

Repairs must only be performed by specialized and qualified personnel. Any repair work not performed by professional personnel may cause damage to the appliance for which Hestan will not be liable.

The following problems can be checked by the consumer without the assistance of the Service Department.

THE DRAWER IS NOT HOT ENOUGH

Make sure that:

- The appliance is turned on;
- The correct temperature has been set;
- The opening of the ventilation fan is not blocked by plates or other large obstructions;
- The drawer has had sufficient time to heat up.

THE DRAWER DOES NOT GET WARM

Is it turned on?

Is there a power outage or has the circuit-breaker tripped?

Can you hear the fan running?

- If the fan is running then the heating system should be working. The fan is always running while the heating element cycles on and off to maintain the proper temperature inside the drawer. Obviously on low temperatures, it will cycle less frequently.
- In rare circumstances if there is still no heat, the element may have exceeded a safe temperature and was cut-off automatically. The element will reset itself after a short time. If this problem persists, contact Hestan Customer Care.
- If the interior light comes on, and the fan still does not run, the fan may be obstructed in some way. Contact Hestan Customer Care. Do not attempt to dismantle the appliance in any way to remove obstructions.

INSTALLATION



BEFORE YOU BEGIN

IMPORTANT: Save these instructions for the local electrical inspector use.

INSTALLER: Please leave this manual with owner for future reference.

OWNER: Please keep this manual for future reference.

▲WARNING

If the information in this manual is not followed exactly, electric shock, a fire or explosion may result causing property damage, personal injury or death.

Please read these instructions COMPLETELY AND CAREFULLY. They will save you time and effort and help to ensure optimum drawer performance.

Be sure to observe all CAUTIONS and WARNINGS. These installation instructions are intended for use by a qualified installer.

- Assure that electrical installation is adequate and in conformance with National Electrical Code, ANSI/ NFPA 70 (latest edition), or Canadian Electrical Code, part 1 C22.1 (latest edition) and all local codes and ordinances. These shall be carefully followed at all times.

TOOLS YOU WILL NEED

The following tools are needed to install your new warming drawer:

- Tape measure and straightedge or ruler
- Pencil
- Phillips screwdriver
- Level
- Hand or saber saw
- 1" [2,5 cm] diameter hole saw
- Drill and drill bits
- Safety gloves and goggles
- Volt meter (0-250VAC)

PACKAGING

Remove all tape and packaging before using the warming drawer.

Destroy the packaging after unpacking the drawer following the rules in force in your locale. Never allow children to play with packaging material.



INSTALLATION *(continued)*

POWER REQUIREMENTS

This appliance is designed to use a grounded receptacle, 120 VAC Single Phase, 60 Hz, with a current rating as shown in the model number listing on page 5. When installed outdoors, it must be plugged into a Ground Fault Circuit Interrupter (GFCI) protected circuit.

Have the installer show you where the electric circuit breaker is located so you know how to shut off the power to this appliance.

The appliance is equipped with a flexible electrical supply cord with a three-prong grounding plug. It is imperative that this plug be connected to a properly grounded three-prong receptacle. If the receptacle is not the proper grounding type, contact an electrician. Do not remove the grounding prong from this plug.

Power	Requirement
Voltage	120 Volts, 60 Hz
Current	7.4 Amperes
Consumption	888 Watts

CHOOSING DRAWER LOCATION

Carefully select the location where the warming drawer will be placed.

- It should be located for convenient use in the kitchen. When used outdoors, it is recommended to apply sealant to the outside of the case where it meets your outdoor cabinet/island structure to prevent water intrusion. There is also a gasket on the drawer face to prevent water intrusion at the front of the drawer.
- Make sure that electrical power can be provided to the location selected. If possible, the receptacle should be accessible after the drawer is installed, so that the drawer can be unplugged and plugged in after installation. The cord is about 47" [120 cm] long.

PREPARATION

1. See drawings on the following pages for clearance and cutout dimensions
 2. The warming drawer support surface must be a minimum 3/4" [19 mm] thick plywood platform. It must support 100 lbs. [45 kg]. If the unit is installed outdoors, the platform should be made of pressure-treated or marine-grade plywood, or other materials resistant to moisture and insect damage.
 3. The platform must be solid, level and flush with the bottom of the cabinet cutout. Additional interior structures (side walls, etc.) may be needed to support this platform.
 4. The cabinet must be secure against tipping when the drawer is opened. If necessary, install additional bracing at the rear of the cabinet to prevent the cabinet from tipping away from the wall when the drawer is opened.
 5. For best performance results make sure the platform is level before placing the warming drawer. Use shims under the unit as needed to level it. There is no way to level the warming drawer after it has been installed.
- If the installation is not level, the door may slide open or not seal tightly, allowing heat to escape, or water to enter.



Use extreme caution when moving or installing the drawer. It is very heavy.

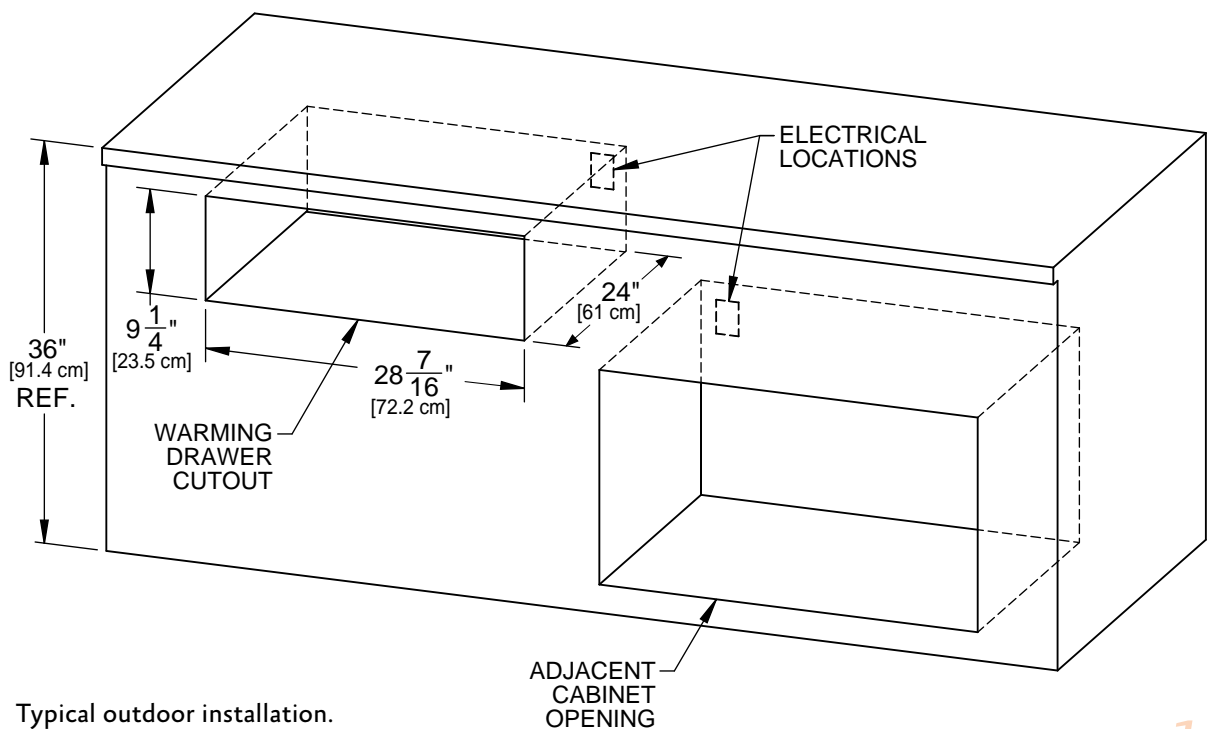
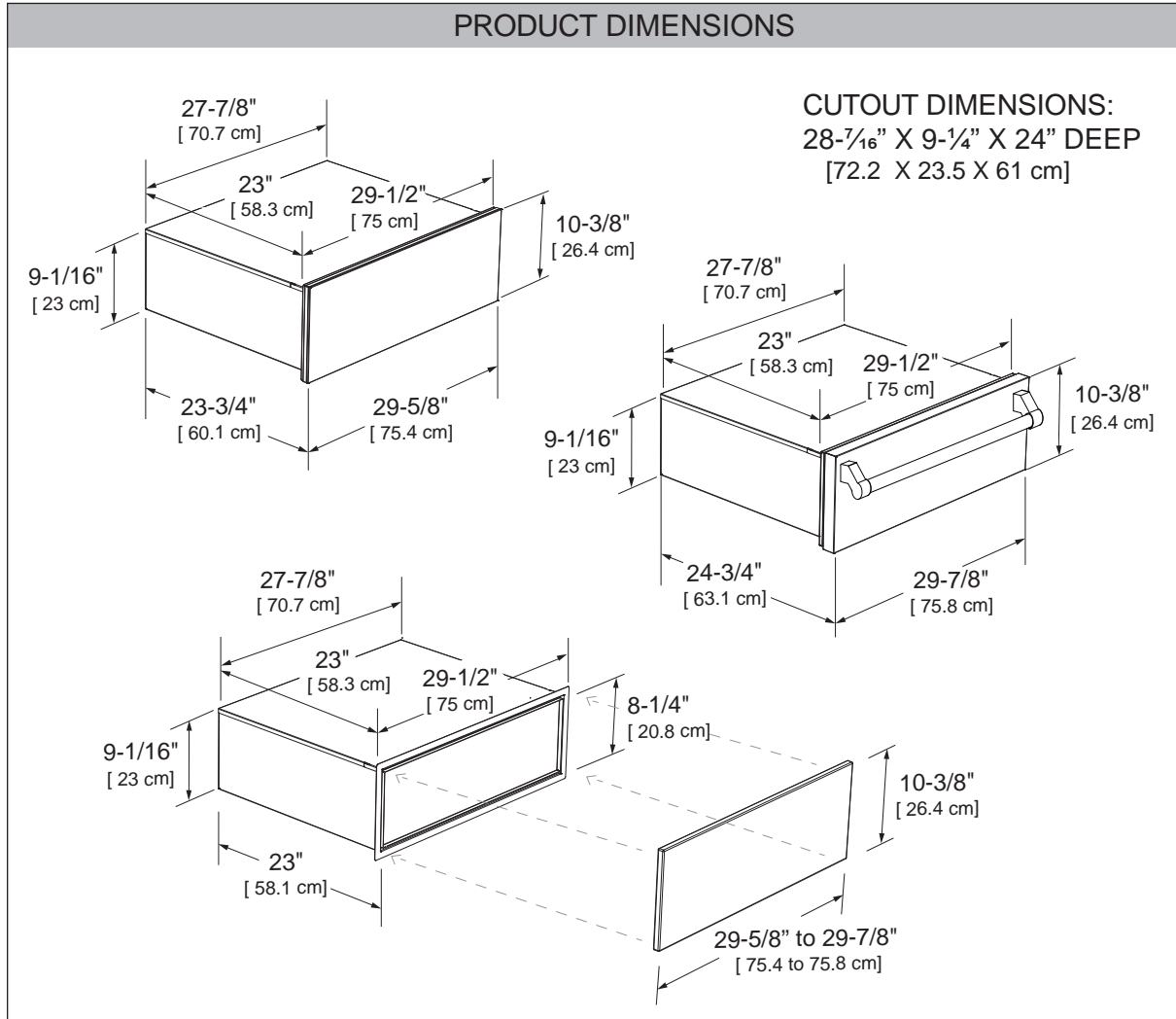


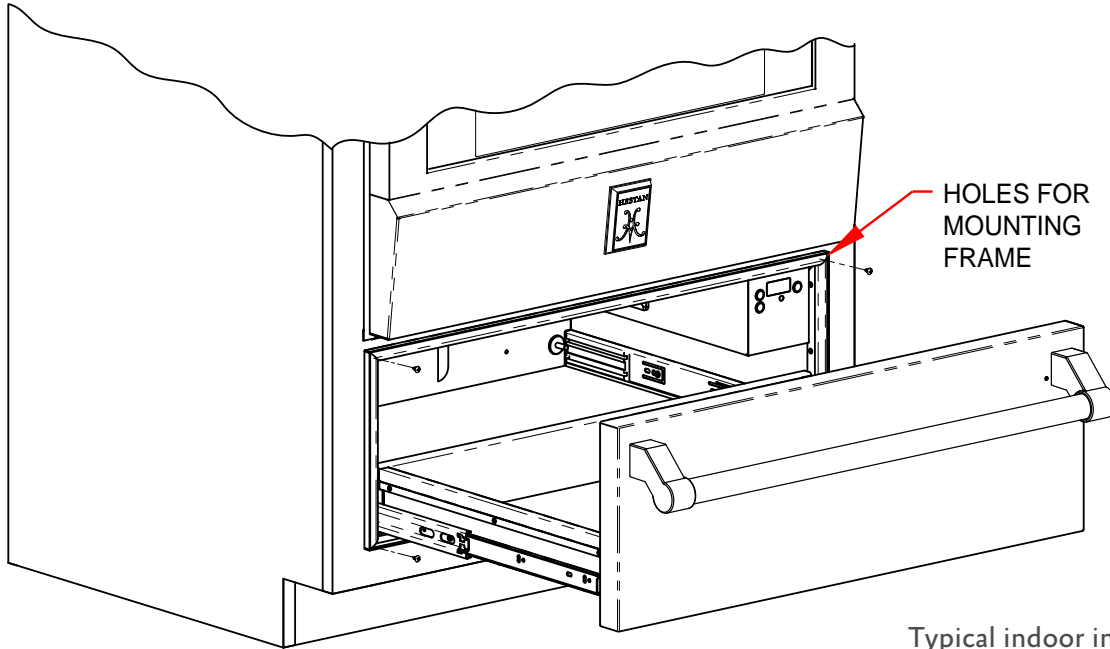
- DO NOT LIFT THE WARMING DRAWER BY THE DRAWER HANDLE.
- Be very careful when moving or installing the warming drawer to avoid damage to the frame or damage to the cabinets.
- If installing the warming drawer below another product, refer to that product's literature for any installation or clearance requirements.

INSTALLATION *(continued)*



EN





Typical indoor installation beneath a wall oven.

PLACING THE DRAWER

NOTE: The unit is heavy and requires at least two people or proper equipment to move. Verify there is room to run the power cord before placing the drawer without pinching it.

1. As shown on the previous page, the electrical outlet may be located directly behind the unit, or in a nearby adjacent cabinet opening. If the plug will not be accessible after placing the unit, turn power OFF at the service panel. Lock service panel to prevent power from being turned ON accidentally.
2. Run the cord through to the outlet.
3. Position the drawer so that it is directly centered and slide the warming drawer assembly into the cutout until it is flush with cabinet face.
4. Securely fasten the drawer mounting frame to the cabinet in all four corners using the wood screws provided.

CAUTION

Failure to secure the warming drawer could result in the drawer moving or tipping during use and causing damage to the drawer or cabinets or personal injury.

5. Turn the power back on or plug in the unit.
6. Test operation of the unit (see page 9). Observe that the interior light comes on. Operate the unit for approximately 5 minutes, then check for warmth.
7. After verifying that the drawer is warming up, turn the unit OFF.
 - Make sure that the customer knows how to disconnect the power to the warming drawer at the circuit breaker or fuse box in case of an emergency.

INSTALLATION - CUSTOM DRAWER FRONT (-OV MODELS)



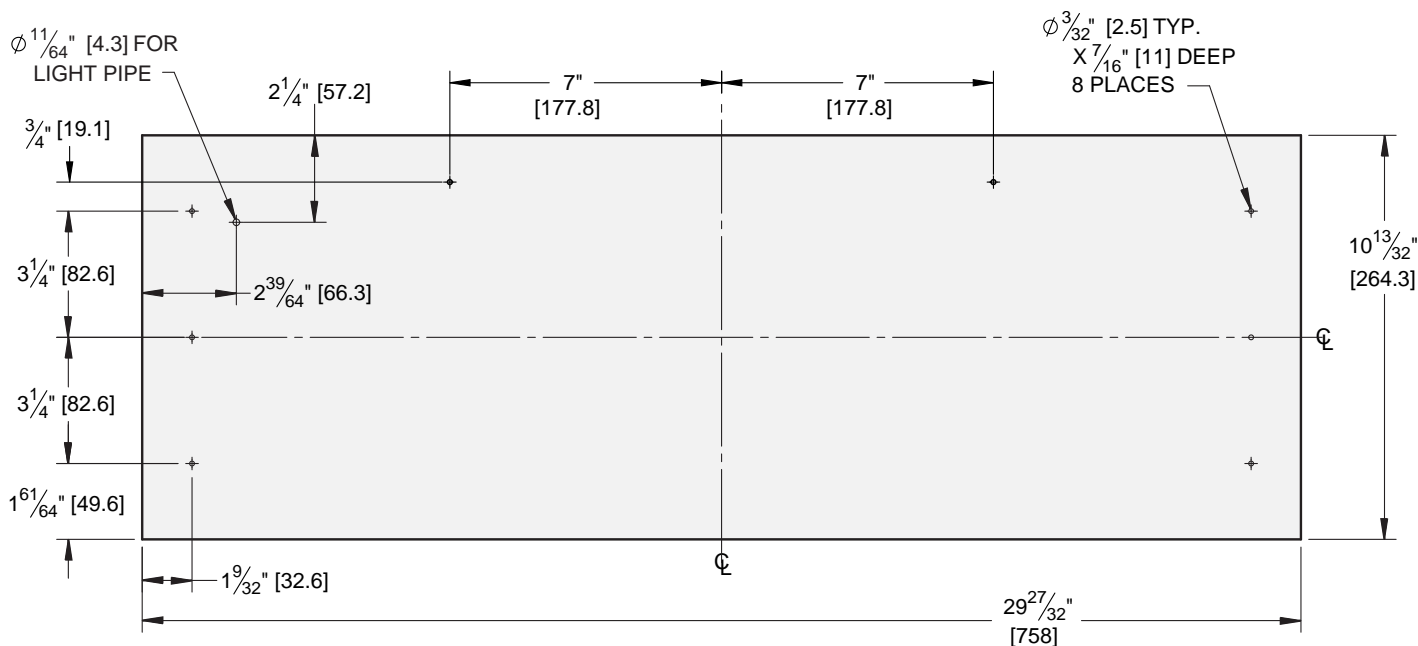
EN

CUSTOM PANEL REQUIREMENTS:

- Have a typical thickness of 3/4" [19 mm].
- Have all edges finished.
- If using wood, the back must be sealed to prevent moisture damage.
- Be capable of withstanding temperatures above 158°F [70°C].

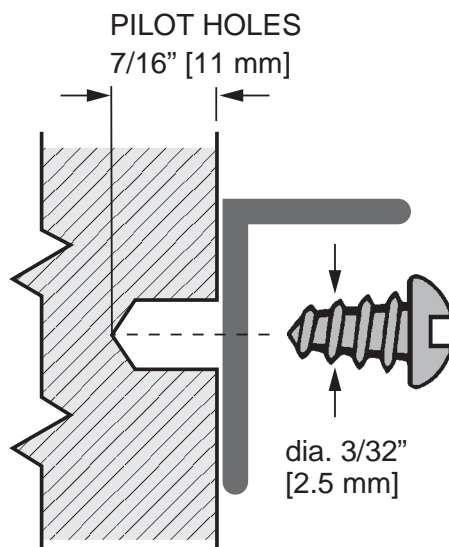
PREPARING CUSTOM DRAWER FRONT

1. Mark pilot holes on the back side of the panel according to the dimensions indicated in the drawing below.
2. Drill pilot holes with a 3/32" [2.5 mm] drill bit. Be careful not to drill all the way through the panel. Pilot holes should only be 7/16" [11 mm] deep.



BACK VIEW

NOTE: DIMENSIONS IN [] ARE IN mm.

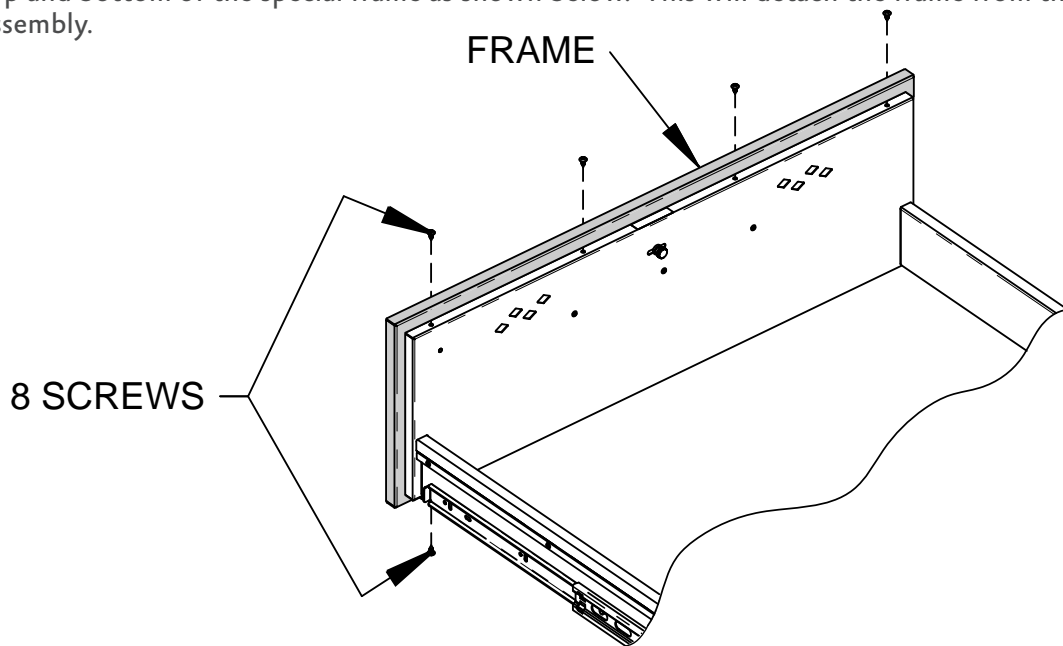




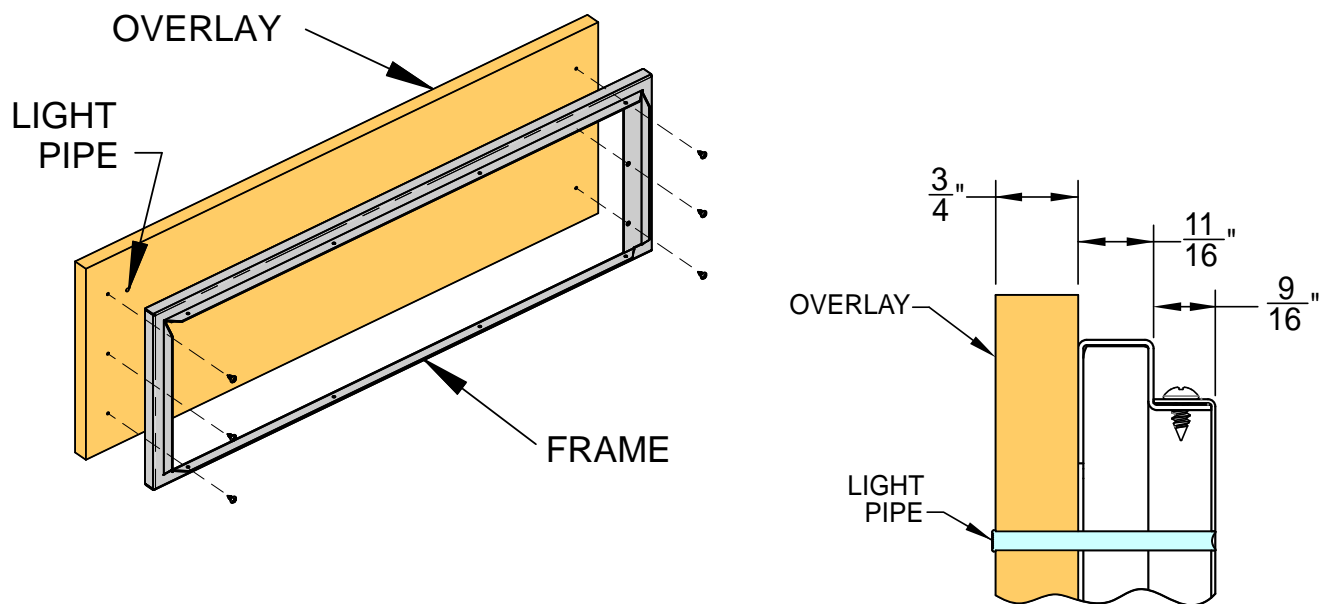
INSTALLATION (continued)

ATTACHING CUSTOM DRAWER FRONT

1. It may be easier to remove the drawer from the unit (see page 12). Remove 8 screws from the top and bottom of the special frame as shown below. This will detach the frame from the assembly.

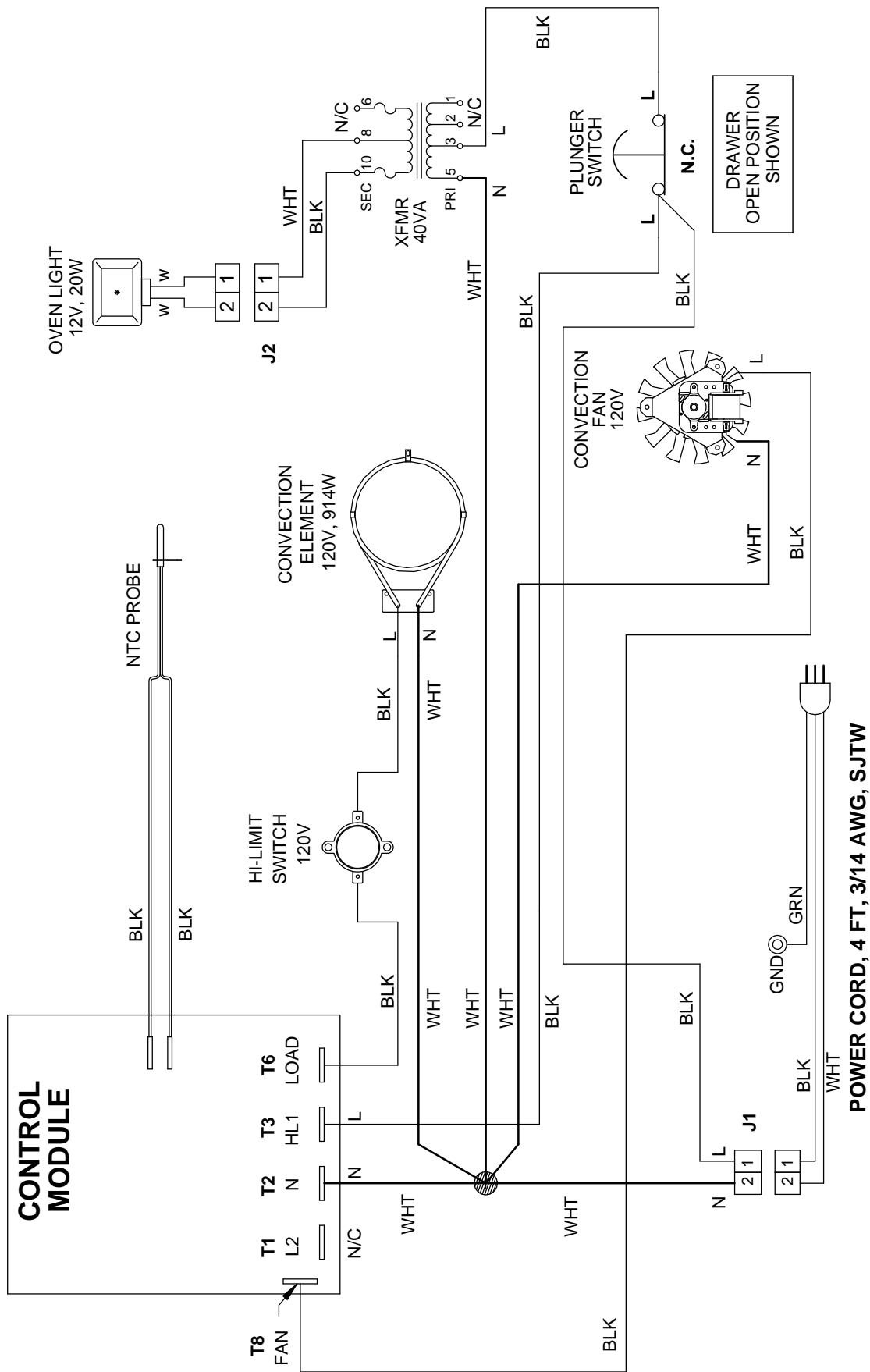


2. Mount the special frame onto your custom overlay panel. A typical overlay panel is $\frac{3}{4}$ " [19 mm] thick. A light pipe is supplied in the kit which helps the red indicator light on the control shine through the drawer face. The light pipe may be press-fit into the new hole you drilled into the overlay panel. If your overlay panel is less than $\frac{3}{4}$ " [19 mm] thick, you may trim the length of the light pipe as needed, but use caution as the optical material is brittle.



3. Install the completed overlay and frame to the drawer assembly and re-install the 8 screws you removed in step 1. Re-install the drawer if you removed it.

WIRING SCHEMATIC



EN



PARTS / SERVICE

SERVICE DATA RECORD

The location of the serial tag on the product can be seen when the drawer is opened. It is located on bottom of the drawer. See "RATING LABEL" on page 5.

Now is a good time to write this information in the space below provided. Keep your invoice for warranty validation.

Model Number _____

Serial Number _____

Date of Installation or Occupancy _____

EN



PARTS LIST

Please visit the Hestan website to access the parts list for your Hestan Indoor product: www.hestanhome.com.



SERVICE

All warranty and non-warranty repairs should be performed by qualified service personnel. To locate an authorized service agent in your area, contact your Hestan dealer, local representative, or Hestan Customer Care. Before you call, please have the model number and serial number information ready.

Hestan Commercial Corporation
3375 E. La Palma Avenue
Anaheim, CA 92806
(888) 905-7463



LIMITED WARRANTY

WHAT THIS LIMITED WARRANTY COVERS:

Hestan Commercial Corporation ("HCC") warrants to the original consumer purchaser of a Hestan Indoor Cooking product (the "Product") from an HCC authorized dealer that the Product is free from defective materials or workmanship for a period of three (3) years from the date of original retail purchase or closing date for new construction, whichever period is longer ("Limited Warranty Period"). HCC agrees to repair or replace, at HCC's sole option, any part or component of the Product that fails due to defective materials or workmanship during the Limited Warranty Period. This Limited Warranty is not transferable and does not extend to anyone beyond the original consumer purchaser ("Purchaser"). This Limited Warranty is valid only on Products that are (i) purchased and received from an HCC authorized dealer, (ii) delivered after purchase to a consumer, and (iii) continuously thereafter remain located, in the fifty United States, the District of Columbia and Canada. Events that will void this warranty include purchasing or taking delivery in, or moving Products to any location outside of, the fifty United States, the District of Columbia and Canada. This Limited Warranty applies only to Products in non-commercial use and does not extend to Products used in commercial applications.

LIMITED WARRANTY *(continued)*



HOW TO OBTAIN WARRANTY SERVICE:

If the Product fails during the Limited Warranty Period for reasons covered by this Limited Warranty, the Purchaser must immediately contact the dealer from whom the Product was purchased or HCC at 888.905.7463.

Purchaser is responsible for making the Product reasonably accessible for service or for paying the cost to make the Product reasonably accessible for service. Service is to be provided during normal business hours of the authorized Hestan Commercial Service Provider. To the extent Purchaser requests service outside of the normal business hours of the authorized Hestan Commercial Service Provider, Purchaser will pay the difference between regular rates and overtime or premium rates. Purchaser is required to pay all travel costs for travel beyond 50 miles (one way) from the nearest authorized Hestan Commercial Service Provider.

EXTENSIONS TO THREE YEAR LIMITED WARRANTY PERIOD:

In addition to the Three-Year Limited Warranty, the following components have extended warranty coverage as specifically set forth below:

1. The Product's gas burners (excludes appearance), electric heating elements, blower motors (ventilation hoods), electronic control boards, magnetron tubes and induction generators (where applicable) are warranted to be free from defects in material and workmanship under normal non-commercial use and service for a period of five (5) years of the original Purchaser. This excludes surface corrosion, scratches, and discoloration which may occur during normal use and is limited to replacement of the defective part(s), with the Purchaser paying all other costs, including labor, shipping and handling, as applicable.

WHAT THIS LIMITED WARRANTY DOES NOT COVER:

This Limited Warranty does not cover and HCC will not be responsible for and will not pay for: damage to or defects in any Product not purchased from an HCC authorized dealer; color variations in color finishes or other cosmetic damage; failure or damage from abuse, misuse, accident, fire, natural disaster, commercial use of the Product, or loss of electrical power or gas supply to the Product; damage from alteration, improper installation, or improper operation of the Product; damage from improper or unauthorized repair or replacement of any part or component of the Product; damage from service by someone other than an authorized agent or representative of the Hestan Commercial Service Network; normal wear and tear; damage from exposure of the Product to a corrosive atmosphere containing chlorine, fluorine, or any other damaging chemicals; damage resulting from the failure to provide normal care and maintenance to the Product; damage HCC was not notified of within the Limited Warranty Period; and incidental and consequential damages caused by any defective material or workmanship.

ARBITRATION:

This Limited Warranty is governed by the Federal Arbitration Act. Any dispute between Purchaser and HCC regarding or related to the Product or to this Limited Warranty shall be resolved by binding arbitration only on an individual basis with Purchaser. Arbitration will be conducted by the American Arbitration Association ("AAA") in accordance with its Consumer Arbitration Rules or by JAMS. The arbitration hearing shall be before one arbitrator appointed by the AAA or JAMS. The arbitrator shall not conduct class arbitration and Purchaser shall not bring any claims against HCC in a representative capacity on behalf of others.

LIMITATION OF LIABILITY:

This Limited Warranty is the final, complete and exclusive agreement between HCC and Purchaser regarding the Product.

THERE ARE NO EXPRESS WARRANTIES OTHER THAN THOSE LISTED AND DESCRIBED ABOVE. NO WARRANTIES WHETHER EXPRESS OR IMPLIED, INCLUDING, BUT NOT LIMITED TO, ANY IMPLIED WARRANTIES OF MERCHANTABILITY OR FITNESS FOR A



LIMITED WARRANTY *(continued)*

PARTICULAR PURPOSE SHALL APPLY AFTER THE LIMITED WARRANTY PERIOD STATED ABOVE. NO OTHER EXPRESS WARRANTY OR GUARANTY GIVEN BY ANY PERSON, FIRM OR CORPORATION WITH RESPECT TO THIS PRODUCT SHALL BE BINDING ON HCC. HCC ASSUMES NO RESPONSIBILITY THAT THE PRODUCT WILL BE FIT FOR ANY PARTICULAR PURPOSE, EXCEPT AS OTHERWISE PROVIDED BY APPLICABLE LAW. HCC SHALL NOT BE LIABLE FOR LOSS OF REVENUE OR PROFITS, FAILURE TO REALIZE SAVINGS OR OTHER BENEFITS, OR ANY OTHER SPECIAL, INCIDENTAL OR CONSEQUENTIAL DAMAGES CAUSED BY THE USE, MISUSE OR INABILITY TO USE THE PRODUCT, REGARDLESS OF THE LEGAL THEORY ON WHICH THE CLAIM IS BASED, AND EVEN IF HCC HAS BEEN ADVISED OF THE POSSIBILITY OF SUCH DAMAGES. NO RECOVERY OF ANY KIND AGAINST HCC SHALL BE GREATER IN AMOUNT THAN THE PURCHASE PRICE OF THE PRODUCT. WITHOUT LIMITING THE FOREGOING, YOU ASSUME ALL RISK AND LIABILITY FOR LOSS, DAMAGE OR INJURY TO YOU AND YOUR PROPERTY AND TO OTHERS AND THEIR PROPERTY ARISING OUT OF THE USE, MISUSE OR INABILITY TO USE THE PRODUCT NOT CAUSED DIRECTLY BY THE NEGLIGENCE OF HCC. THIS LIMITED WARRANTY STATES YOUR EXCLUSIVE REMEDY.

No oral or written representation or commitment given by anyone, including but not limited to, an employee representative or agent of HCC will create a warranty or in any way increase the scope of this express Limited Three Year Warranty. If there is any inconsistency between this Limited Warranty and any other agreement or statement included with or relating to the Product, this Limited Warranty shall govern. If any provision of this Limited Warranty is found invalid or unenforceable, it shall be deemed modified to the minimum extent necessary to make it enforceable and the remainder of the Limited Warranty shall remain valid and enforceable according to its terms.

INTERACTION OF LAWS WITH THIS LIMITED WARRANTY:

Some states, provinces or territories may not allow limitations on how long an implied warranty lasts or the exclusion or limitation of incidental or consequential damages, so the above limitations or exclusions may not apply to you. Some states, provinces or territories may provide for additional warranty rights and remedies, and the provisions contained in this Limited Warranty are not intended to limit, modify, take away from, disclaim or exclude any mandatory warranty requirements provided by states, provinces or territories, including certain implied warranties. This warranty gives you specific legal rights, and you may also have other rights which vary depending on location.

Any questions about this Limited Warranty may be directed to:
Hestan Commercial Corporation at (888) 905-7463

AVERTISSEMENT

LE NON-RESPECT À LA LETTRE DE CES INSTRUCTIONS PEUT CAUSER UN INCENDIE OU UNE EXPLOSION, QUI POURRAIT ENTRAÎNER DES DOMMAGES MATÉRIELS, DES BLESSURES OU LA MORT.

Ne pas entreposer ou utiliser d'essence ou tout autre liquide ou gaz inflammable à proximité de cet appareil ou de tout autre appareil.

L'installation et le service doivent être effectués par un installateur qualifié ou une agence de service.

NE PAS RÉPARER, REMPLACER OU ENLEVER TOUTE PIÈCE DE L'APPAREIL, SAUF SI SPÉCIFIQUEMENT RECOMMANDÉ DANS LES MANUELS. UNE INSTALLATION, UN ENTRETIEN OU UNE MAINTENANCE INCORRECTS PEUT ENTRAÎNER DES BLESSURES OU DES DOMMAGES MATÉRIELS. CONSULTEZ CE MANUEL DE L'ORIENTATION. TOUS LES AUTRES SERVICES DEVRAIENT ÊTRE EFFECTUÉS PAR UN TECHNICIEN DE SERVICE HESTAN AUTORISÉ.

LISEZ ATTENTIVEMENT ET COMPLÈTEMENT CES INSTRUCTIONS AVANT D'INSTALLER OU D'UTILISER VOTRE APPAREIL AFIN DE RÉDUIRE LES RISQUES D'INCENDIE, DE BRÛLURE OU D'AUTRES BLESSURES. CONSERVER CE MANUEL POUR RÉFÉRENCE FUTURE.

DÉFINITIONS DE SÉCURITÉ

AVERTISSEMENT

CECI INDIQUE QUE L'INOBSERVATION DE CET AVERTISSEMENT PEUT ENTRAÎNER DES BLESSURES GRAVES VOIRE MORTELLES.

PRÉCAUTION

CECI INDIQUE QUE L'INOBSERVATION DE CET AVERTISSEMENT PEUT ENTRAÎNER DES BLESSURES MINEURES OU MODÉRÉES.

AVIS

CECI INDIQUE QUE L'INOBSERVATION DE CET AVERTISSEMENT PEUT ENTRAÎNER DES DOMMAGES DE L'APPAREIL OU DES DÉGÂTS MATÉRIELS.

INSTALLATEUR: LAISSER CE MANUEL AVEC LE PROPRIÉTAIRE DE L'APPAREIL.

PROPRIÉTAIRE: CONSERVEZ CE MANUEL POUR RÉFÉRENCE FUTURE.



Un message de Hestan

La cuisine en plein air est le rêve du perfectionniste et, grâce à ce nouvel investissement, vous en êtes maintenant rapproché. Nous vous souhaitons une sincère bienvenue dans la famille Hestan. Nous avons conçu et fabriqué nos produits pour garantir que vos invités vous complimenteront à propos du plat que vous leur servirez mais, au fond d'eux-mêmes, nos clients savent qu'il aurait pu être un peu plus tendre, un peu plus juteux, qu'il aurait suffi d'une pincée de sel supplémentaire ou de quelques secondes de moins sur la flamme. Nous avons pris le temps de connaître nos clients et nous sommes enthousiasmés par l'idée de faire ce voyage avec vous. C'est de cette même passion de perfectionnisme qu'est né le gril de plein air Hestan. Nos ingénieurs ont expérimenté, innové, ajusté et modifié, jusqu'à ce qu'ils aient créé les produits de plein air les plus puissants, polyvalents et fiables disponibles sur le marché.

Nous enorgueillissons de nos innovations incessantes, de notre ingénierie de pointe et de nos modèles conçus spécialement, mais aussi de notre connaissance approfondie de la clientèle que nous visons, ainsi que des intérêts et des besoins des utilisateurs finals que nous servons ou convoitons. Pour de nombreux clients, la cuisine de plein air représente beaucoup plus que la préparation d'aliments. Il s'agit d'une activité qui englobe, entre autres, des aspects culinaires, de loisirs et sociaux.

Nous sommes reconnaissants et fiers du fait que vous ayez choisi Hestan, et nous espérons que vous nous resterez fidèle. Nous prenons votre décision d'avoir choisi Hestan très au sérieux et vous promettons de vous offrir ce qui se fait de mieux.

Bienvenue chez Hestan





TABLE DES MATIÈRES

5	NUMÉROS DE MODÈLE
5	PLAQUE SIGNALÉTIQUE
5	RESPECT DE LA RÉGLEMENTATION ET DES CODES EN VIGUEUR
6	PRÉCAUTIONS DE SÉCURITÉ - AVANT DE COMMENCER
8	INSTRUCTIONS POUR L'UTILISATEUR
12	NETTOYAGE ET ENTRETIEN
15	DÉPANNAGE
16	INSTALLATION
20	INSTALLATION - FAÇADE DE TIROIR PERSONNALISÉE (MODÈLES -OV)
22	SCHÉMAS DE CÂBLAGE
23	LISTE DES PIÈCES ET SERVICE
23	GARANTIE LIMITÉE

AVERTISSEMENT

RISQUE DE CHOC ÉLECTRIQUE

Débranchez l'alimentation électrique avant d'installer ou d'entretenir l'unité. Ne pas le faire peut entraîner la mort ou un choc électrique.

MISE À LA TERRE ÉLECTRIQUE

Cet appareil doit être mis à la terre. La mise à la terre réduit le risque de choc électrique en cas de court-circuit.

ALIMENTATION ÉLECTRIQUE

Important: Cet appareil doit être mis à la terre conformément aux codes locaux ou, en l'absence de codes locaux, au National Electrical Code, ANSI / NFPA 70-1990.

AVERTISSEMENT

Les appareils équipés d'un cordon d'alimentation électrique flexible sont fournis avec une fiche de mise à la terre à trois broches. Il est impératif que cette fiche soit connectée à une prise à trois broches correctement mise à la terre. Si la prise n'est pas du type à la terre approprié, contactez un électricien. Ne retirez pas la broche de mise à la terre de cette fiche.

Cet appareil est conçu pour utiliser une prise mise à la terre, 120 VCA monophasé, 60 Hz, avec un courant nominal comme indiqué dans la liste des numéros de modèle à la page 5. Lorsqu'il est installé à l'extérieur, il doit être branché sur un disjoncteur de fuite à la terre (GFCI) circuit protégé.

Demandez à l'installateur de vous montrer où se trouve le disjoncteur électrique afin de savoir comment couper l'alimentation de cet appareil.



NUMÉRO DE MODÈLE



N ^o . DE MODÈLE	DESCRIPTION	DISJONCTEUR REQUIS
GWD30	Tiroir Chauffant Plein Aire, 30 po	15 Ampères

FR



PLAQUE SIGNALÉTIQUE



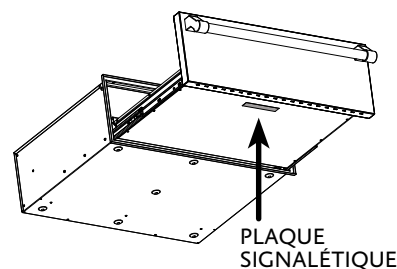
La plaque signalétique donne des informations importantes sur cet appareil Hestan, telles que le numéro de modèle, le numéro de série et les caractéristiques électriques.

La plaque signalétique se trouve sur le bas du tiroir.

Si un entretien est nécessaire, contactez le service clientèle de Hestan avec les informations sur le modèle et le numéro de série figurant sur la plaque.

HESTAN COMMERCIAL CORP. ANAHEIM, CA - USA		CONFORME À LA NORME UL STD. 1026 CERTIFIED TO CSA STD. C22.2 No. 64-19 HOUSEHOLD USE ONLY OUTDOOR APPROVED		PATENTED: http://www.hestanhome.com/patents.pdf	
VOLTS	120	MODEL / MODÈLE		 C US 261010	
Hz	60	SER. NO. / NO. SÉR.			
PHASE	1				
AMPS	15				

PLAQUE SIGNALÉTIQUE TYPIQUE



RESPECT DE LA RÉGLEMENTATION ET DES CODES EN VIGUEUR



L'installation de cet appareil de cuisson doit être effectuée conformément aux codes locaux. En l'absence de tels codes, installer cet appareil conformément au National Electrical Code et les codes locaux.

Tous les composants électriques doivent être mis à la terre conformément aux codes locaux ou, en l'absence de tels codes, au National Electrical Code ANSI/NFPA 70 ou au Code national de l'électricité du Canada CSA C22.1.



PRÉCAUTIONS DE SÉCURITÉ - AVANT DE COMMENCER

S'il est bien entretenu, cet appareil Hestan procurera un service sûr et fiable pendant de nombreuses années. Lorsqu'on se sert de cet appareil, les pratiques élémentaires suivantes en matière de sécurité doivent être adoptées.

IMPORTANT: Conservez ces instructions pour l'utilisation locale des services publics.

INSTALLATEUR: Veuillez laisser ces instructions d'installation avec le propriétaire.

PROPRIÉTAIRE: Veuillez conserver ces instructions d'installation pour référence future.

Cet appareil n'est PAS conçu pour être installé dans des maisons préfabriquées (mobiles) ou des véhicules récréatifs. Cet appareil est conçu pour un usage domestique en intérieur, ou en extérieur lorsqu'il est connecté à un circuit correctement mis à la terre et protégé par GFCI.

MESURES GÉNÉRALES DE SÉCURITÉ DE L'APPAREILUR

Veuillez lire toutes les instructions avant d'utiliser cet appareil.

AVERTISSEMENT

Lisez attentivement toutes les instructions avant de l'utiliser. Ces précautions réduiront les risques de brûlures, d'électrocution, d'incendie et de blessures. Lorsque vous utilisez des appareils de cuisine, vous devez respecter certaines règles de sécurité élémentaires, notamment:

SECURITE TECHNIQUE

Ne réparez ou ne remplacez aucune pièce du tiroir chauffant, à moins que cela ne soit spécifiquement recommandé. Faites appel à un réparateur agréé.

N'utilisez pas cet appareil s'il ne fonctionne pas correctement ou s'il a été endommagé, jusqu'à ce qu'un réparateur agréé l'ait examiné.

Installez ou installez cet appareil uniquement conformément aux instructions d'installation. Ne couvrez ni ne bloquez aucune ouverture de cet appareil.

Utilisez ce tiroir chauffe-plat uniquement comme décrit dans ce manuel. Si vous avez des questions, contactez le service clientèle de Hestan.

Utilisez cet appareil uniquement pour l'usage auquel il est destiné, tel que décrit dans ce manuel. N'utilisez pas de produits chimiques corrosifs, de vapeurs ou de produits non alimentaires dans cet appareil. Ce type de tiroir chauffant est spécialement conçu pour chauffer ou cuire. Il n'est pas conçu pour une utilisation industrielle ou de laboratoire. L'utilisation de produits chimiques corrosifs lors du chauffage ou du nettoyage endommagera l'appareil.

LA SÉCURITÉ DES ENFANTS

PRÉCAUTION

IL EST DE LA RESPONSABILITÉ DES PARENTS OU DES TUTEURS DE S'ASSURER QUE LES ENFANTS SONT INFORMÉS DE L'UTILISATION SÉCURITAIRE DE CET APPAREIL. Ne laissez pas les enfants utiliser cet appareil sans la surveillance d'un adulte. Ne laissez pas les enfants jouer dans ou autour de l'appareil, même lorsqu'ils ne sont pas utilisés. Les articles qui intéressent les enfants ne doivent pas être rangés dans ou sur l'appareil ou dans les armoires au-dessus de l'appareil. Les enfants qui grimpent sur l'appareil pourraient être gravement blessés.

LA SÉCURITÉ ALIMENTAIRE

Si les aliments sont conservés plus d'une heure, ils doivent être conservés à 140° F [60° C] ou plus. Utilisez un thermomètre pour aliments pour vérifier.



CONSIGNES IMPORTANTES

Quand on utilise des appareils électriques, il convient de toujours respecter des consignes de sécurité de base, y compris les suivantes:

- Ne touchez pas les surfaces chaudes. Utilisez des poignées ou des boutons.
- Pour vous protéger contre les chocs électriques, n'immergez pas le cordon ni la fiche dans de l'eau ou tout autre liquide.
- Une surveillance étroite est nécessaire lorsqu'un appareil est utilisé par ou à proximité d'enfants.
- Débranchez l'appareil ou éteignez le disjoncteur avant le nettoyage. Laisser refroidir avant de retirer ou de remplacer des pièces.
- Ne faites pas fonctionner un appareil avec un cordon ou une fiche endommagé ou après un dysfonctionnement ou une détérioration quelconque de l'appareil. Renvoyez l'appareil à un centre de service agréé le plus proche pour un examen, une réparation ou un réglage.
- L'utilisation d'accessoires non recommandés par Hestan peut causer des blessures.
- Ne laissez pas le cordon pendre du bord de la table ou du comptoir, ni toucher des surfaces chaudes.
- Une extrême prudence doit être utilisée lors du déplacement de tout objet contenant de l'huile chaude ou d'autres liquides chauds.
- Ne pas utiliser cet appareil pour un usage autre que celui auquel il est destiné.
- L'intérieur de l'appareil peut atteindre des températures de 200°F [93°C] en fonction de la température sélectionnée et de la durée de fonctionnement. Si nécessaire, utilisez des gants pour retirer les objets du tiroir.
- Ne vous penchez pas et ne vous asseyez pas sur le tiroir-réchaud lors de son ouverture, cela pourrait endommager le guide télescopique. Le poids maximal du tiroir chauffe-plat est de 80 lb. [36 kg].
- Ne conservez pas de récipients en plastique ni d'objets inflammables dans l'appareil. De tels objets risquent de prendre feu une fois que le tiroir chauffant est allumé.
- Dans le cas où des vêtements ou des cheveux personnels prennent feu, **LENTEZ-VOUS DE ROULER IMMÉDIATEMENT** pour éteindre les flammes.

Conservez ces instructions.

SÉCURITÉ PENDANT LE NETTOYAGE

N'utilisez jamais un aspirateur. Le vide pourrait créer une pression sur les composants provoquant un court-circuit. Le vide peut également endommager les composants de l'appareil, dommages pour lesquels Hestan ne sera pas responsable.

Suivez les suggestions énumérées sous «Nettoyage et Entretien» dans ce manuel.

N'utilisez jamais d'objets métalliques tranchants ou de tampons abrasifs, car ils pourraient endommager la surface de l'appareil. Si nécessaire, utilisez des ustensiles standard non abrasifs en bois ou en plastique.

RÉPARATIONS

Les travaux de maintenance et / ou les réparations doivent être effectués exclusivement par du personnel qualifié. Une installation et un entretien incorrects peuvent causer des dommages aux consommateurs pour lesquels Hestan ne pourra être tenu responsable.

Pendant la période de garantie, seuls des techniciens agréés par Hestan peuvent réparer l'appareil, sinon la garantie sera annulée.

Avant de commencer les travaux de maintenance, d'installation ou de réparation, débranchez l'appareil de la prise électrique. L'apppliance n'est déconnectée que si:

1. Le circuit est désactivé (le disjoncteur est sur arrêt ou le fusible est retiré), OU
2. Le cordon de l'appareil est débranché de la prise électrique.

Hestan ne pourra être tenu responsable des dommages résultant du non-respect de la réglementation en vigueur ou de l'utilisation de pièces de rechange non originales.



INSTRUCTIONS POUR L'UTILISATEUR

OUVERTURE DU TIROIR À FERMETURE DOUCE

Pour ouvrir le tiroir, saisissez la poignée et tirez le tiroir.

FERMER LE TIROIR

Pour fermer le tiroir, poussez-le doucement jusqu'à ce que le système de fermeture en douceur s'enclenche.

AVANT L'UTILISATION

Avant d'utiliser l'appareil pour la première fois:

1. Assurez-vous que tous les matériaux d'emballage ont été retirés de l'appareil.
 2. Nettoyez-le doucement avec un chiffon humide et séchez-le complètement, comme indiqué dans la section «Nettoyage et Entretien». Remettez le tapis en silicone sur le plancher du tiroir.
 3. Réglez le contrôle à 150°F [65°C] et laissez le tiroir chauffant se réchauffer pendant au moins deux heures (voir OPÉRATION à la page 9 pour plus de détails). Assurez-vous que la cuisine est bien ventilée pendant la période de chauffage.
- Les parties métalliques ont été spécialement traitées avec un revêtement protecteur qui peut parfois créer des odeurs lors du chauffage initial du tiroir. Ces odeurs vont rapidement se dissiper et ne doivent pas être considérées comme un défaut de l'appareil.

SYSTÈME DE CHAUFFAGE

L'appareil est équipé d'un système de ventilation à air chaud. Un ventilateur à convection distribue la chaleur dans le tiroir chauffant pour obtenir une température uniforme.

- Le thermostat permet à l'utilisateur de contrôler et de régler l'appareil à 4 températures prédéfinies.
- La circulation de l'air chauffe le tiroir de manière rapide et uniforme.
- Il n'est pas possible de toucher accidentellement l'élément chauffant ou le ventilateur.

CHANGEMENT DE L'ÉCHELLE DE TEMPÉRATURE

L'unité est réglée par défaut sur l'échelle de température Fahrenheit (°F). Si vous souhaitez passer à Celsius (°C), procédez comme suit:

1. Avec unité hors tension, appuyez sur le bouton TEMP puis sur le bouton POWER et maintenez pendant 30 secondes. La commande est en mode °C lorsque le point décimal le plus à droite de l'affichage est activé.
2. Utilisez le même processus pour revenir au mode °F.

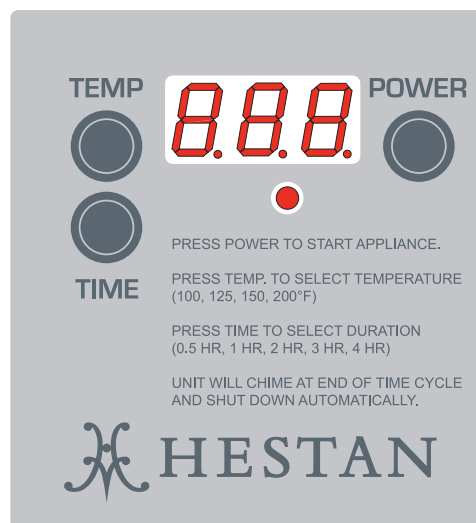


COMMANDES ET INDICATEURS

Le tiroir-réchaud dispose d'une commande numérique avec un affichage de l'heure / température. Il y a 4 températures prédéfinies et 5 intervalles de temps comme détaillé dans les instructions ci-dessous.

Une lumière halogène intérieur s'allume lorsque le tiroir est ouvert.

Un voyant d'alimentation rouge est présent sur la commande et brille à travers une petite lentille à l'extérieur de la face du tiroir.



FR

OPÉRATION

1. Ouvrez le tiroir et placez votre vaisselle ou vos produits alimentaires à l'intérieur. Le tapis en silicone à l'intérieur du tiroir empêche les articles de glisser à l'intérieur du tiroir.
2. Appuyez sur le bouton POWER. L'écran affichera brièvement une révision du logiciel, puis s'éteindra. Le voyant rouge d'alimentation s'allume.
3. Appuyez sur le bouton TEMP pour faire défiler les 4 températures pré-réglées: 100, 125, 150, 200°F [38, 52, 65, 93°C]. La température par défaut est de 100°F [38°C]. La température réglée est toujours affichée sauf lors du réglage de l'heure. Cette action lance le cycle de chauffage. Le ventilateur de convection commencera à tourner et restera allumé en tout temps jusqu'à ce que le temps soit écoulé et que l'appareil s'arrête.
4. Appuyez sur le bouton TIME pour faire défiler les 5 intervalles de temps prédéfinis: 0,5, 1, 2, 3, 4 heures. Pendant la sélection, l'écran affiche le temps pendant 3 secondes, puis revient pour afficher la température réglée.
5. Pendant le fonctionnement, l'élément chauffant se met en marche pour maintenir la température réglée à l'intérieur de la cavité du tiroir. L'unité sonnera à la fin de l'intervalle de temps, puis s'arrêtera automatiquement. L'affichage et le voyant rouge d'alimentation s'éteindront également.
6. Si, à tout moment, vous souhaitez modifier la température ou l'intervalle de temps, éteignez l'appareil (bouton POWER) et répétez les étapes 2 à 4 ci-dessus.

Pour éteindre l'appareil, appuyez sur le bouton POWER.

TEMPS DE CHAUFFAGE

Le temps de chauffe est influencé par:

- Quantité de vaisselle ou de nourriture dans le tiroir
- La disposition des articles dans le tiroir
- Le réglage de la température

En général, plus il y a de vaisselle ou d'articles dans le tiroir et plus la température réglée est élevée, plus il faudra de temps pour atteindre la température réglée.

RÉCHAUFFEMENT DU PLAT

- Les normes de sécurité alimentaire recommandent que les aliments chauds soient conservés à une température interne de 140°F [60°C] ou plus chaude. Chauffer vos plats à un réglage de 150°F [65°C] vous aidera à y parvenir.
- Le temps de réchauffement dépend de la quantité et du type d'assiettes que vous placez dans le tiroir. Avec l'expérience, vous apprendrez le réglage de température optimal pour vos besoins.



INSTRUCTIONS POUR L'UTILISATEUR (suite)

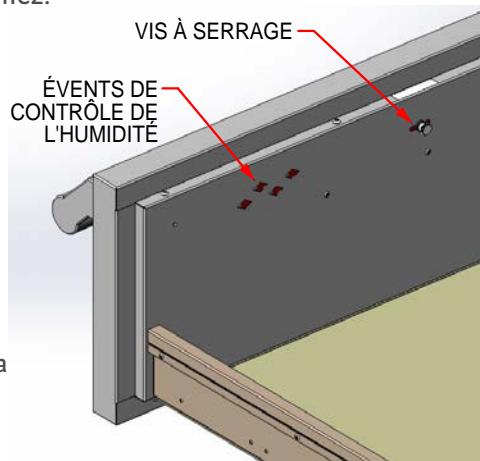
DÉCONGÉLATION

Il est possible de décongeler des aliments dans le tiroir chauffant, mais un réglage à basse température de 100 ou 125°F [38 ou 52°C] est recommandé. Assurez-vous de placer votre aliment sur une assiette ou un autre récipient pour capter l'eau de fonte.

LEVAGE

La levage de la pâte à pain doit être effectuée à une basse température de 100°F [38°C]. Selon le type de pain, vous devez avoir besoin de plus d'humidité pendant la levage. Placez 1 tasse [250 ml] d'eau très chaude dans une petite tasse à mesurer en verre ou un petit bol à l'intérieur du tiroir chauffant à côté de votre pâte. Cela ajoutera de l'humidité et gardera la pâte molle pendant la levage. Placez le bol de pâte dans le tiroir chauffant et fermez.

Le tiroir chauffant dispose d'un système de contrôle de l'humidité de petits événements sur la face intérieure du tiroir. Desserrez la vis à serrage et faites glisser l'obturateur vers la gauche ou la droite pour régler la quantité d'humidité à l'intérieur du tiroir. Resserrez la vis à serrage.



RÉCHAUFFEMENT DES ALIMENTS

Aliments recommandés pour réchauffer: viande, poulet, poisson, sauces, légumes, accompagnements et soupes, pains, pizza.

- Pour éviter les renversements, ne remplissez pas trop la vaisselle.
- Disposez la vaisselle dans le tiroir et fermez-le soigneusement pour éviter tout déversement de liquide.
- Il est conseillé de ne pas réchauffer les aliments plus d'une heure pour éviter qu'ils ne perdent de la valeur nutritive.
- Si les aliments doivent être conservés pendant plus d'une heure, ils doivent être maintenus à 140°F [60°C] ou plus.

Couvrir les aliments et les liquides humides avec un couvercle ou un film alimentaire résistant à la chaleur. Cela empêchera l'humidité de s'échapper, la condensation de se former et l'humidité de se déposer à l'extérieur de la vaisselle.

Ne couvrez pas les plats rôtis ou frits qui doivent rester croustillants. Gardez ces plats au chaud à des températures élevées.

CUISSON LENTE

AVIS

CETTE MÉTHODE DE CUISSON EST LIMITÉE PAR L'INTERVALLE DE TEMPS MAXIMUM DU CONTRÔLE (4 HEURES). SI VOTRE RECETTE NÉCESSITE PLUS LONGTEMPS, VOUS DEVEZ REDÉMARRER L'UNITÉ À NOUVEAU APRÈS LES 4 HEURES INITIALES.

La cuisson lente est idéale pour la cuisson de viande tendre qui doit être moyennement saignant ou saignant. Cette méthode de cuisson signifie que la viande sera toujours rose à l'intérieur. Cela ne signifie cependant pas que la viande est crue ou insuffisamment cuite.

- Cette méthode de cuisson garde non seulement les jus à l'intérieur, mais elle permet également de garder la viande au chaud facilement.
- Vaisselle appropriée à utiliser: verre, porcelaine ou céramique avec couvercle.



PROCÉDURE

1. Préchauffez le tiroir chauffant avec le plat choisi à 200°F [93°C] pendant 15 minutes.
2. Faites chauffer du beurre ou de l'huile dans une casserole. Faites bien dorer la viande pendant le temps indiqué dans le tableau, puis placez-la immédiatement dans la poêle préchauffée et couvrez avec le couvercle.
3. Redémarrez la contrôle entre 150/200°F [65/93°C] pendant le temps nécessaire pour terminer la cuisson. (Voir l'avis ci-dessus concernant les temps de cuisson supérieurs à 4 heures)

CONSEILS POUR LA CUISSON LENTE

- Utilisez uniquement de la viande fraîche en parfait état.
- Coupez tout excès de graisse.
- Les morceaux de viande ne doivent pas nécessairement être retournés.
- Une fois cuite, la viande peut être découpée immédiatement; il n'a pas à se reposer.
- La viande cuite lentement n'est pas aussi chaude que la viande cuite de façon traditionnelle, il est donc conseillé pour mettre les assiettes dans le tiroir chauffant sur le côté gauche pendant les 20-30 dernières minutes également.
- Servir la viande avec des sauces chaudes.
- Si vous voulez garder la viande chaude après la cuisson, redémarrez la commande à une température plus basse (100 à 150°F [38 à 65°C]). Les petits morceaux de viande peuvent être gardés au chaud pendant 45 minutes et les plus gros morceaux pour deux heures.

APPLICATIONS

La cuisson lente convient à toutes les coupes tendres de bœuf, de porc, de veau, d'agneau, de gibier et de volaille. Les temps de brunissage initiaux et les temps de cuisson ultérieurs dépendent de la taille des tranches de viande.

Le temps de brunissement est pour la viande placée dans une casserole préchauffée avec du beurre ou de l'huile.

EXEMPLE DE PLAT	RISSOLAGE INITIAL	NIVEAU
Petites tranches de viande		
Languettes de viande	Environ 1 - 2 minutes	150
Petits steaks ou médaillons	Environ 1 - 2 minutes par côté	150
Tranches de viande de dimensions moyennes		
Filet	Environ 4 - 5 minutes par côté	200
Rôti maigre	Environ 10 - 15 minutes par côté	200
Grandes tranches de viande		
Filet (à partir de 900 g)	Environ 6 - 8 minutes par côté	200
Rôti de bœuf (1,1-2kg)	Environ 8 - 10 minutes par côté	200
Légumes	Environ 30 minutes par côté	150

TEMPS DE CUISSON: À titre indicatif, comptez 4 à 5 heures pour un réglage à 200°F [93°C] et 8 à 10 heures pour un réglage à 150°F [65°C]. De plus petites quantités de nourriture peuvent nécessiter moins de temps, tandis que de plus grandes quantités peuvent nécessiter plus de temps.



NETTOYAGE ET ENTRETIEN

GLISSIÈRES DU TIROIR

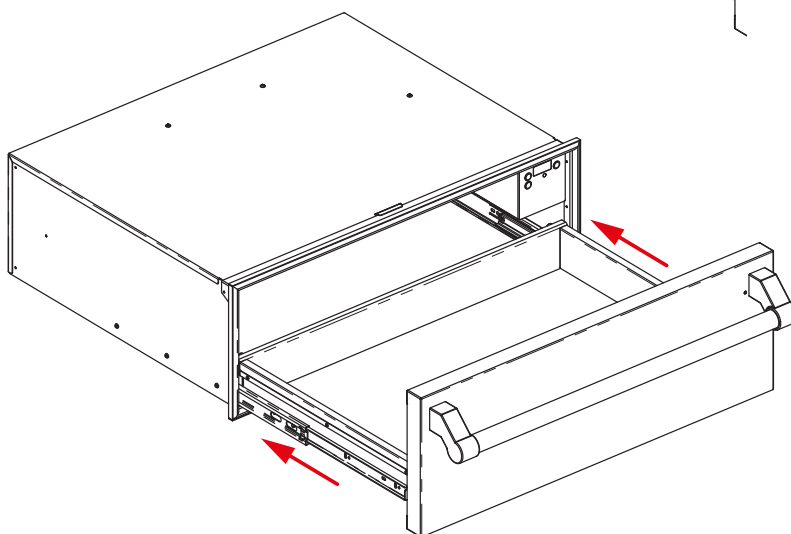
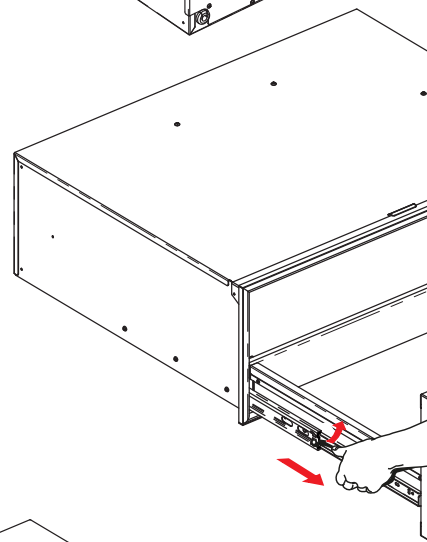
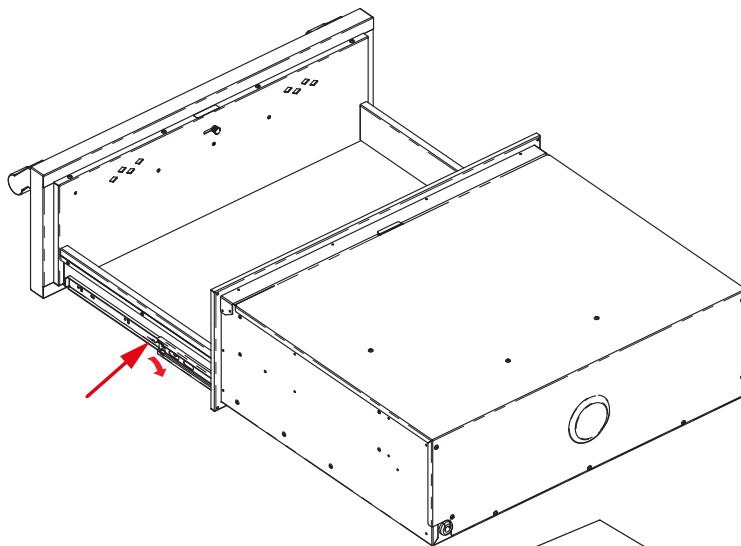
Les glissières du tiroir permettent d'ouvrir complètement le tiroir pour un nettoyage plus facile. Le tiroir peut également être complètement retiré pour le nettoyage ou pour remplacer l'éclairage intérieur.

REMARQUE: La capacité de charge du tiroir est de 80 lb [36 kg].

Retirez tous les articles de l'intérieur du tiroir chauffant et laissez-le refroidir complètement avant d'essayer de retirer le tiroir.

POUR LE RETIRER:

1. Ouvrir le tiroir dans sa position entièrement ouverte.
2. Localisez les languettes noires des deux côtés du tiroir.
3. Appuyez sur la languette vers le bas sur le côté droit du tiroir et soulevez la languette vers le haut sur le côté gauche du tiroir en même temps. Tirez ensuite le tiroir d'un autre pouce pour dégager les loquets.
4. Tenez le tiroir par les côtés (pas par l'avant). Tirez-le lentement vers l'extérieur.



REEMPLACER:

1. Alignez les rails du tiroir avec les glissières de réception.
2. Poussez le tiroir à fond.
3. Ouvrez et fermez doucement le tiroir pour vous assurer qu'il est correctement installé sur les glissières.



NETTOYAGE

Le nettoyage représente généralement le seul type d'entretien nécessaire.

AVERTISSEMENT

Avant de commencer le nettoyage, débranchez l'appareil du réseau. Retirez la fiche des prises ou désactivez le circuit d'alimentation de l'appareil. Laissez l'appareil refroidir avant de le nettoyer.

AVIS

N'utilisez pas de détergents agressifs, de produits abrasifs, d'éponges abrasives ni d'objets pointus, car ils risquent de tacher l'appareil.

N'utilisez jamais d'aspirateur sur les parties internes de l'appareil.

SURFACE AVANT ET PANNEAU DE COMMANDE

L'utilisation d'un chiffon humide suffit souvent lors du nettoyage de l'appareil. Si nécessaire, ajoutez quelques gouttes de détergent dans l'eau. Sécher l'appareil avec un chiffon sec. La façade en acier inoxydable de l'appareil peut être nettoyée avec des produits spécialement conçus pour l'acier inoxydable. Ces produits empêchent la formation de saletés à la surface du tiroir. Appliquez une quantité minimale de produit sur un chiffon doux et appliquez-le sur la surface de l'appareil.

Nettoyez le panneau de commande **UNIQUEMENT** avec un chiffon imbibé d'eau claire. La surface en plastique spéciale peut se décolorer ou devenir opaque si vous utilisez des nettoyeurs agressifs.

Si votre appareil Hestan a des panneaux de couleur, utilisez **UNIQUEMENT** de l'eau chaude savonneuse. Rincez et séchez soigneusement.

ESPACE INTÉRIEUR

Utilisez un chiffon humide pour nettoyer l'intérieur du tiroir. Si l'appareil nécessite un nettoyage supplémentaire, ajoutez des gouttes de détergent dans l'eau. Sécher la surface avec un chiffon sec. Assurez-vous d'éviter que de l'eau excessive ne pénètre dans les événements de contrôle de l'humidité sur la face intérieure du tiroir, ou dans les volets de chauffage et les ouvertures de ventilation sur la paroi arrière de la cavité du tiroir. N'utilisez l'appareil qu'après le tiroir est complètement sec.

Le tapis en silicone peut être nettoyé avec un détergent doux et de l'eau.

REMPACEMENT D'UNE AMPOULE DE LUMIÈRE DE TIROIR

Le tiroir chauffant est équipé d'une lampe halogène située sur le côté droit de l'unité.

AVERTISSEMENT

RISQUE DE CHOC ÉLECTRIQUE - Assurez-vous que le tiroir chauffant a été mis hors tension. La douille est sous tension lorsque le tiroir est ouvert. Si vous ne mettez pas l'ampoule hors tension, vous risquez de vous électrocuter ou de vous brûler.

Assurez-vous que la lentille en verre est fraîche au toucher. Soyez prudent lorsque vous manipulez le verre, il est fragile et peut se briser s'il tombe.

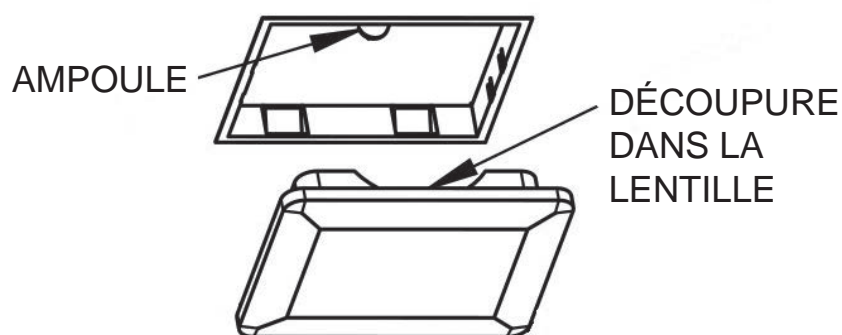
N'utilisez que des ampoules halogènes bipolaires de 12V de 20 watts pouvant être utilisées dans un appareil. Vous pouvez trouver ce type d'ampoule peut être disponible dans les quincailleries et les magasins de bricolage, ou dans les magasins d'éclairage spécialisés. Pour plus de détails, adressez-vous au service clientèle de Hestan.



NETTOYAGE ET ENTRETIEN (suite)

POUR REMPLACER UNE AMPOULE

1. ASSUREZ-VOUS QUE LE COURANT EST COUPÉ! Débranchez l'appareil ou mettez le disjoncteur hors tension. ASSUREZ-VOUS QUE LA LAMPE EST FROID. La lentille et / ou l'ampoule chaudes peuvent être TRÈS chaudes.
2. Vous voudrez peut-être retirer le tiroir (voir page 12) avant de changer l'ampoule.
3. Utilisez un petit tournevis à lame plate pour soulever délicatement la lentille en verre et mettre ce dernier de côté. Plongez la main dans le boîtier de la lampe et retirez l'ancienne ampoule comme indiqué sur l'image ci-dessous.
4. Avant l'installation, il est très important de nettoyer l'ampoule neuve avec un chiffon doux propre ou du papier de soie. La graisse, les empreintes digitales ou les sécrétions cutanées peuvent laisser un résidu sur la surface en verre de l'ampoule, ce qui créera un point chaud. L'ampoule finira par se fêler à ce point chaud.
5. Tout en continuant à utiliser un chiffon ou un mouchoir en papier, insérez la nouvelle ampoule dans le boîtier de la lampe. Poussez l'ampoule complètement dans la douille.
6. Remettre la lentille en verre en place en tenant compte de la découpe dans le verre qui s'aligne sur la douille de l'ampoule.
7. Rétablissez l'alimentation et vérifiez que l'ampoule neuve fonctionne.
8. Si vous retirez le tiroir, installez-le maintenant.



DÉPANNAGE



Les réparations ne doivent être effectuées que par un personnel spécialisé et qualifié. Tout travail de réparation non effectué par du personnel professionnel peut causer des dommages à l'appareil pour lesquels Hestan ne sera pas responsable.

Les problèmes suivants peuvent être vérifiés par le consommateur sans l'assistance du service après-vente.

SI LE TIROIR N'EST PAS ASSEZ CHAUD

Sois sûr que:

- L'appareil est allumé;
- La température correcte a été réglée;
- L'ouverture du ventilateur n'est pas obstruée par des plaques ou d'autres gros obstacles;
- Les tiroirs ont eu le temps de chauffer.

LE TIROIR NE CHAUFFE PAS

Est-il allumé?

Y a-t-il une panne de courant ou le disjoncteur s'est-il déclenché?

Pouvez-vous entendre le ventilateur fonctionner?

- Si le ventilateur fonctionne, le système de chauffage devrait fonctionner. Le ventilateur fonctionne toujours pendant que l'élément chauffant s'allume et s'éteint pour maintenir la bonne température à l'intérieur du tiroir. De toute évidence, à basse température, il cyclera moins fréquemment.
- Dans de rares circonstances, s'il n'y a toujours pas de chaleur, l'élément peut avoir dépassé une température de sécurité et s'est coupé automatiquement. L'élément se réinitialisera après un court instant. Si ce problème persiste, contactez le service client Hestan.
- Si l'éclairage intérieur s'allume et que le ventilateur ne fonctionne toujours pas, le ventilateur peut être obstrué d'une manière ou d'une autre. Contactez le service client Hestan. N'essayez en aucun cas de démonter l'appareil pour enlever les obstructions.



INSTALLATION

AVANT DE COMMENCER

IMPORTANT: Conservez ces instructions pour l'utilisation de l'inspecteur électrique local.

INSTALLATEUR: S'il vous plaît laissez ce manuel avec le propriétaire pour référence future.

PROPRIÉTAIRE: S'il vous plaît garder ce manuel pour référence future.

AVERTISSEMENT

Si les informations contenues dans ce manuel ne sont pas suivies à la lettre, un choc électrique, un incendie ou une explosion pourrait en résulter, causant des dommages matériels, des blessures corporelles ou la mort.

Veuillez lire ces instructions **ENTIÈREMENT ET ATTENTIVEMENT**. Ils vous feront gagner du temps et des efforts et vous aideront à optimiser les performances du tiroir.

Assurez-vous de respecter toutes les **PRÉCAUTIONS** et les **AVERTISSEMENTS**. Ces instructions d'installation sont destinées à être utilisées par un installateur qualifié.

- Assurez-vous que l'installation électrique est adéquate et conforme au Code national de l'électricité, ANSI / NFPA 70 - dernière édition, ou au Code canadien de l'électricité, partie 1 C22.1 (dernière édition) et tous les codes et ordonnances locaux. Ceux-ci doivent être soigneusement suivis à tout moment.

OUTILS NECESSAIRES

Vous aurez besoin des outils suivants pour installer votre nouveau appareil:

- Mètre enrouleur et règle à tracer ou règle
- Crayon
- Tournevis Philips
- Niveau
- Scie sauteuse ou scie à main
- Scie à trous de 1 po [2,5 cm] de diamètre
- Perceuse électrique et foret
- Gants et lunettes de sécurité
- Voltmètre [0-250VAC]

EMBALLAGE

Enlevez tout le ruban et l'emballage avant d'utiliser le tiroir chauffant.

Détruisez l'emballage après avoir déballé le tiroir en suivant les règles en vigueur dans votre région. Ne laissez jamais les enfants jouer avec du matériel d'emballage.



EXIGENCES D'ALIMENTATION

Cet appareil est conçu pour utiliser une prise mise à la terre, 120 VCA monophasé, 60 Hz, avec un courant nominal comme indiqué dans la liste des numéros de modèle à la page 5. Lorsqu'il est installé à l'extérieur, il doit être branché sur un circuit protégé par un disjoncteur de fuite à la terre (GFCI).

Demandez à l'installateur de vous montrer où se trouve le disjoncteur électrique afin de savoir comment couper l'alimentation de cet appareil.

L'appareil est équipé d'un cordon d'alimentation électrique flexible avec une prise de terre à trois broches. Il est impératif que cette fiche soit connectée à une prise à trois broches correctement mise à la terre. Si la prise n'est pas du type à la terre approprié, contactez un électricien. Ne retirez pas la broche de mise à la terre de cette fiche.

Puissance	Requise
Tension	120 Volt, 60 Hz
Courant	7.4 Ampères
Consommation	888 Watts

CHOIX DE L'EMPLACEMENT DU TIROIR

Choisissez soigneusement l'emplacement où sera placé le tiroir chauffant.

- Il devrait être situé pour une utilisation pratique dans la cuisine. Lorsqu'il est utilisé à l'extérieur, il est recommandé d'appliquer du mastic à l'extérieur du boîtier où il rencontre la structure de votre armoire / îlot extérieur pour éviter toute intrusion d'eau. Il y a également un joint sur la face du tiroir pour empêcher toute intrusion d'eau à l'avant du tiroir.
- Assurez-vous que l'alimentation électrique peut être fournie à l'emplacement sélectionné. Si possible, la prise doit être accessible après l'installation du tiroir, afin que le tiroir puisse être débranché et branché après l'installation. Le cordon mesure environ 47 po [120 cm] de long.

PRÉPARATION

1. Voir les dessins à la page suivante pour les dimensions de dégagement et de découpe
 2. La surface de support du tiroir chauffant doit être une plate-forme en contreplaqué d'au moins 3/4 po [19 mm]. Il doit supporter 100 livres [45 kg]. Si l'unité est installée à l'extérieur, la plate-forme doit être en contreplaqué traité sous pression ou marin, ou autres matériaux résistants à l'humidité et aux insectes.
 3. La plate-forme doit être solide, à niveau et au même niveau que le fond de la découpe de l'armoire. Des structures intérieures supplémentaires (parois latérales, etc.) peuvent être nécessaires pour soutenir cette plate-forme.
 4. L'armoire doit être sécurisée contre le basculement lorsque le tiroir est ouvert. Si nécessaire, installez des contreventements supplémentaires à l'arrière de l'armoire pour empêcher l'armoire de basculer loin du mur lorsque le tiroir est ouvert.
 5. Pour de meilleurs résultats de performance, assurez-vous que la plate-forme est de niveau avant de placer le tiroir chauffant. Utilisez des cales sous l'unité au besoin pour la mettre à niveau. Il n'y a aucun moyen de mettre à niveau le tiroir chauffant après son installation.
- Si l'installation n'est pas de niveau, la porte peut s'ouvrir ou ne pas se fermer hermétiquement, permettant à la chaleur de s'échapper ou à l'eau de pénétrer.

▲ PRÉCAUTION

Soyez extrêmement prudent lorsque vous déplacez ou installez le tiroir. C'est très lourd.

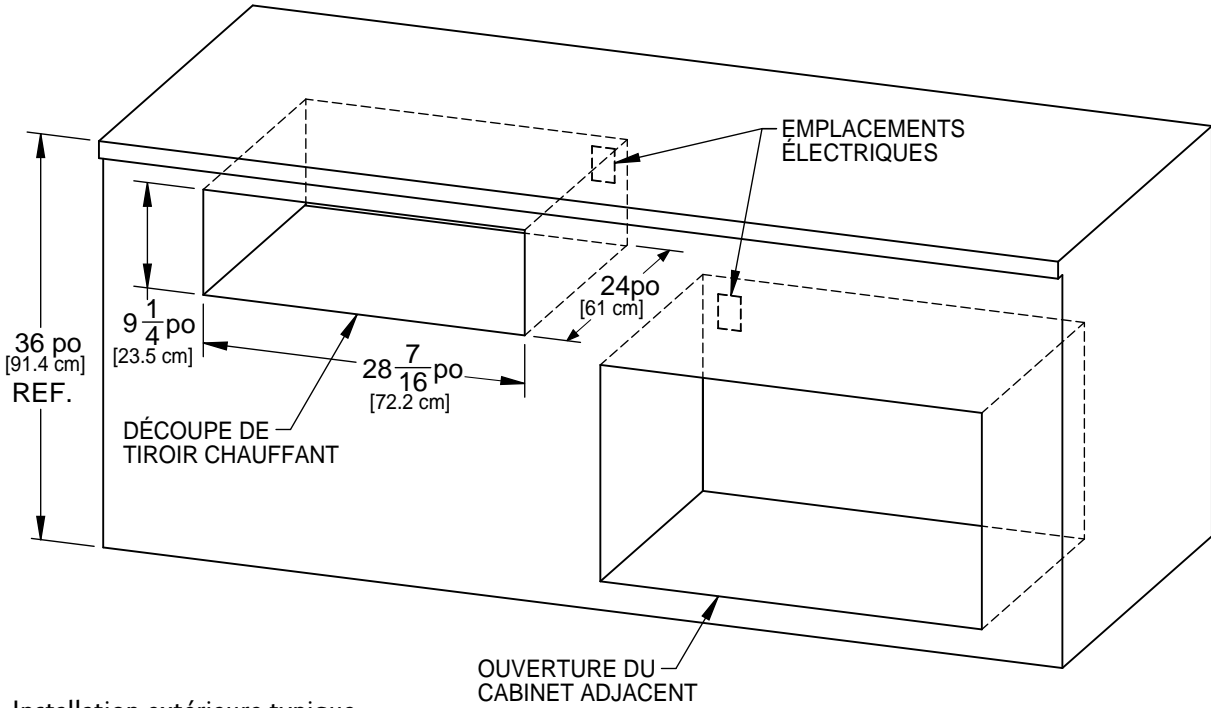
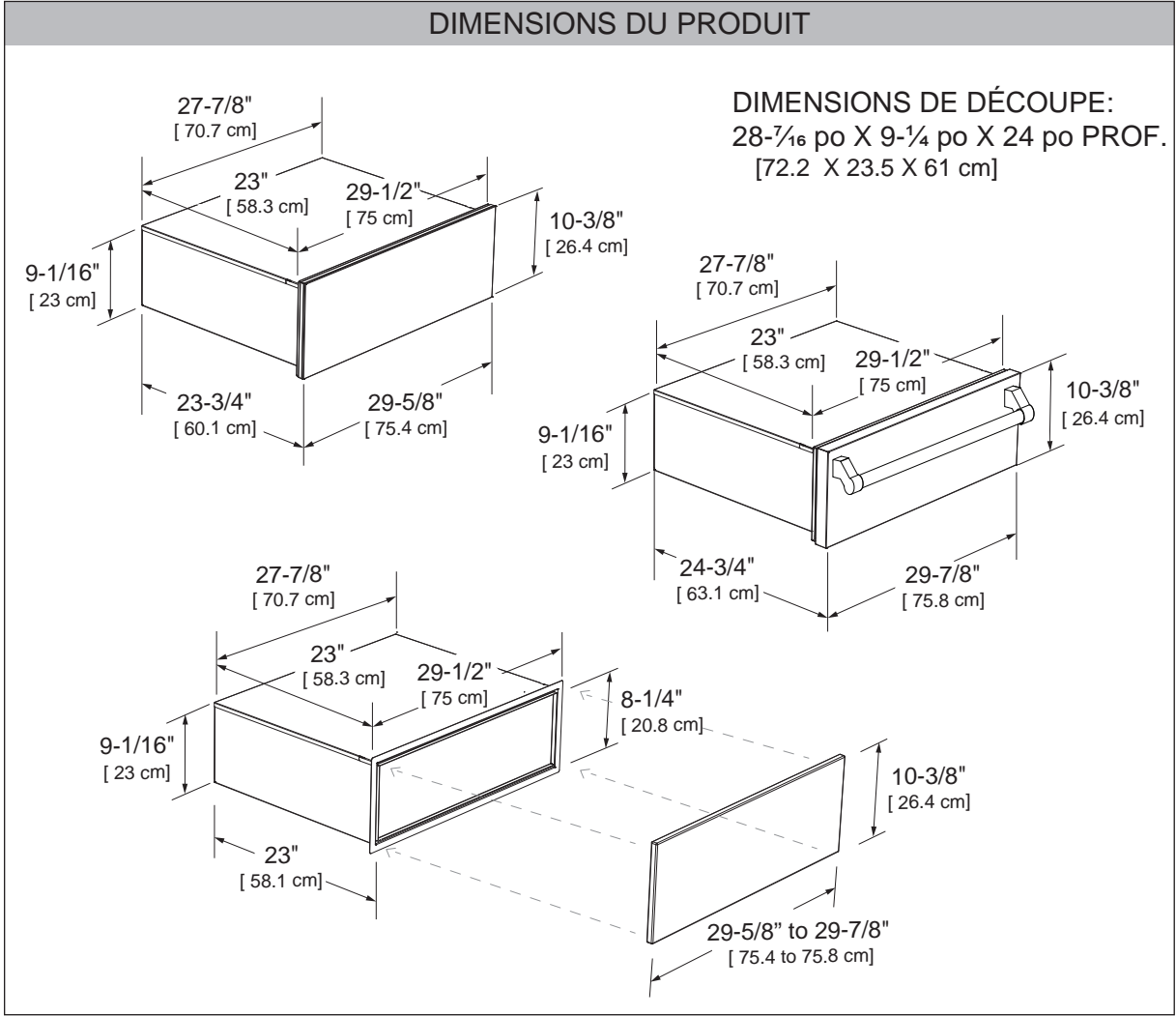
AVIS

- NE PAS SOULEVER LE TIROIR PAR LA POIGNÉE.
- Soyez très prudent lorsque vous déplacez ou installez le tiroir chauffant pour éviter d'endommager le cadre ou les armoires.
- Si vous installez le tiroir-réchaud sous un autre produit, reportez-vous à la documentation de ce produit pour toute exigence d'installation ou de dégagement.

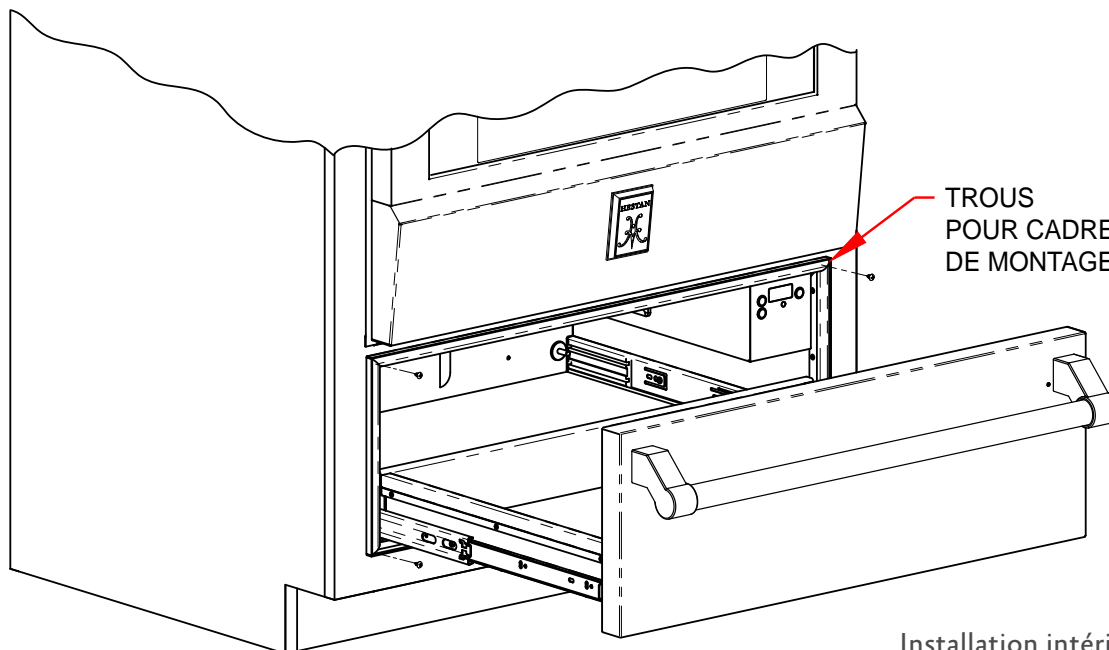


INSTALLATION (suite)

FR



Installation extérieure typique.



FR

Installation intérieure
typique sous un four mural.

PLACER LE TIROIR

REMARQUE: L'unité est lourde et nécessite au moins deux personnes ou un équipement approprié pour se déplacer. Vérifiez qu'il y a de la place pour faire fonctionner le cordon d'alimentation avant de placer le tiroir sans le pincer.

1. Comme indiqué sur la page précédente, la prise électrique peut être située directement derrière l'unité ou dans une ouverture d'armoire adjacente à proximité. Si la prise n'est pas accessible après avoir placé l'unité, coupez l'alimentation au panneau de service. Verrouillez le panneau de service pour empêcher toute mise sous tension accidentelle.
2. Faites passer le cordon jusqu'à la prise.
3. Positionnez le tiroir de manière à ce qu'il soit directement centré et faites glisser l'ensemble tiroir chauffant dans la découpe jusqu'à ce qu'il affleure la face de l'armoire.
4. Fixez solidement le cadre de montage du tiroir à l'armoire dans les quatre coins à l'aide des vis fournies.

▲ PRÉCAUTION

Si vous ne sécurisez pas le tiroir chauffant, vous risquez de le déplacer ou de le basculer pendant son utilisation et d'endommager le tiroir ou les armoires ou de vous blesser.

5. Remettez sous tension ou branchez l'appareil.
 6. Testez le fonctionnement de l'unité (voir page 9). Observez que la lumière intérieure s'allume. Faites fonctionner l'appareil pendant environ 5 minutes, puis vérifiez la chaleur.
 7. Après avoir vérifié que le tiroir chauffe, éteignez l'appareil.
- Assurez-vous que le client sait comment couper l'alimentation du tiroir chauffant du disjoncteur ou de la boîte à fusibles en cas d'urgence.



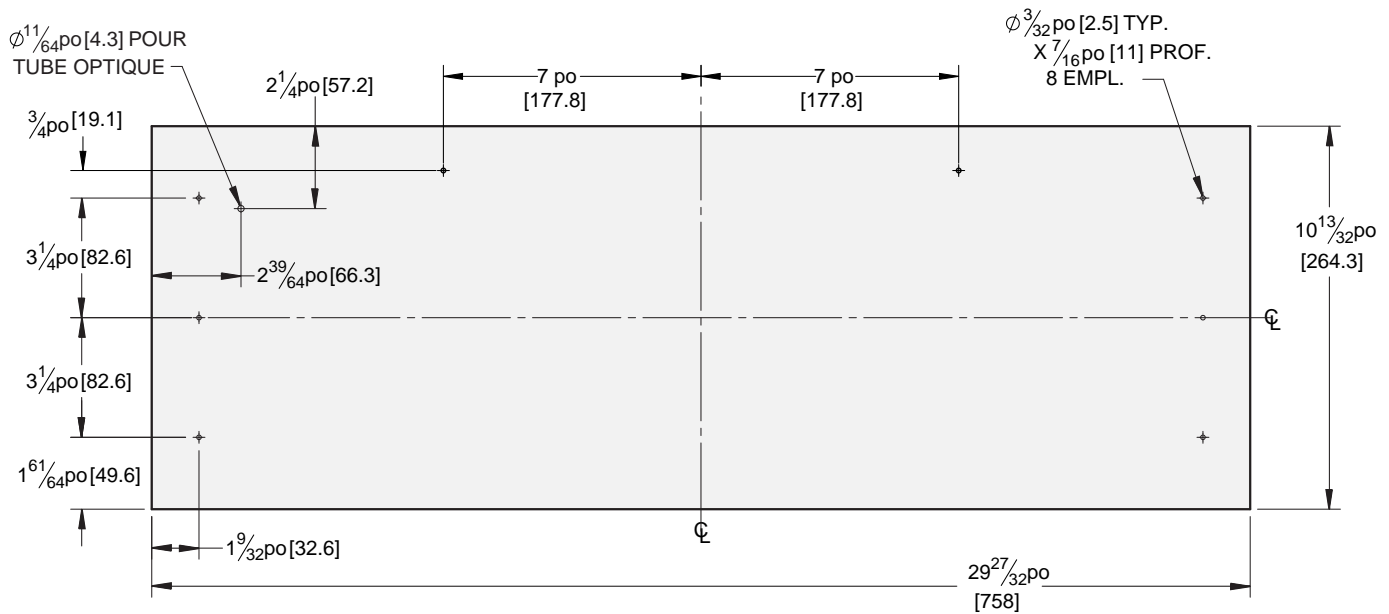
INSTALLATION - FAÇADE DE TIROIR PERSONNALISÉ (MODÈLES -OV)

SPÉCIFICATIONS DU PANNEAU PERSONNALISÉ:

- Avoir une épaisseur minimale de $3/4$ po [19 mm].
- Avoir tous les bords finis.
- Si vous utilisez du bois, le dos doit être scellé pour éviter les dommages dus à l'humidité.
- Être capable de résister à des températures supérieures à 158°F [70°C].

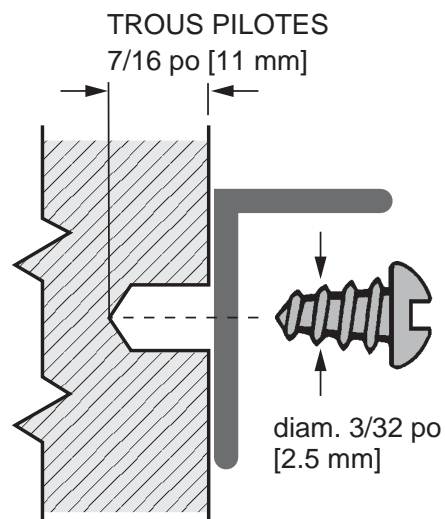
PRÉPARATION DU PANNEAU PERSONNALISÉ:

1. Marquez les avant-trous à l'arrière du panneau en respectant les dimensions indiquées dans le dessin suivant.
2. Percez des avant-trous avec un foret de $3/32$ po [2,5 mm]. Veillez à ne pas percer complètement le panneau. Les trous pilotes ne doivent avoir qu'une profondeur de $7/16$ po [11 mm].



VUE ARRIÈRE

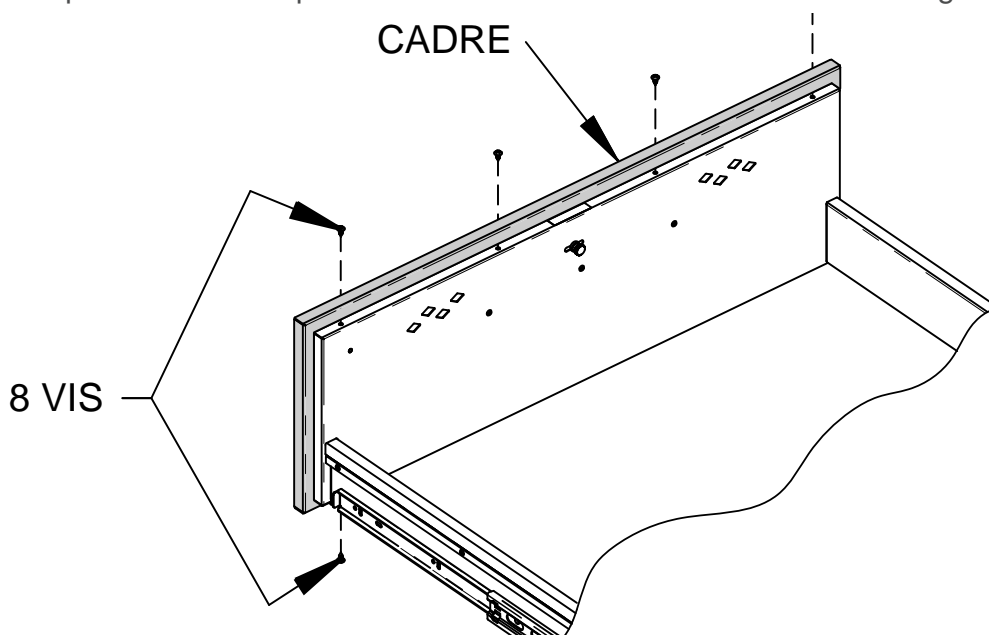
REMARQUE: LES DIMENSIONS EN [] SONT EN mm.



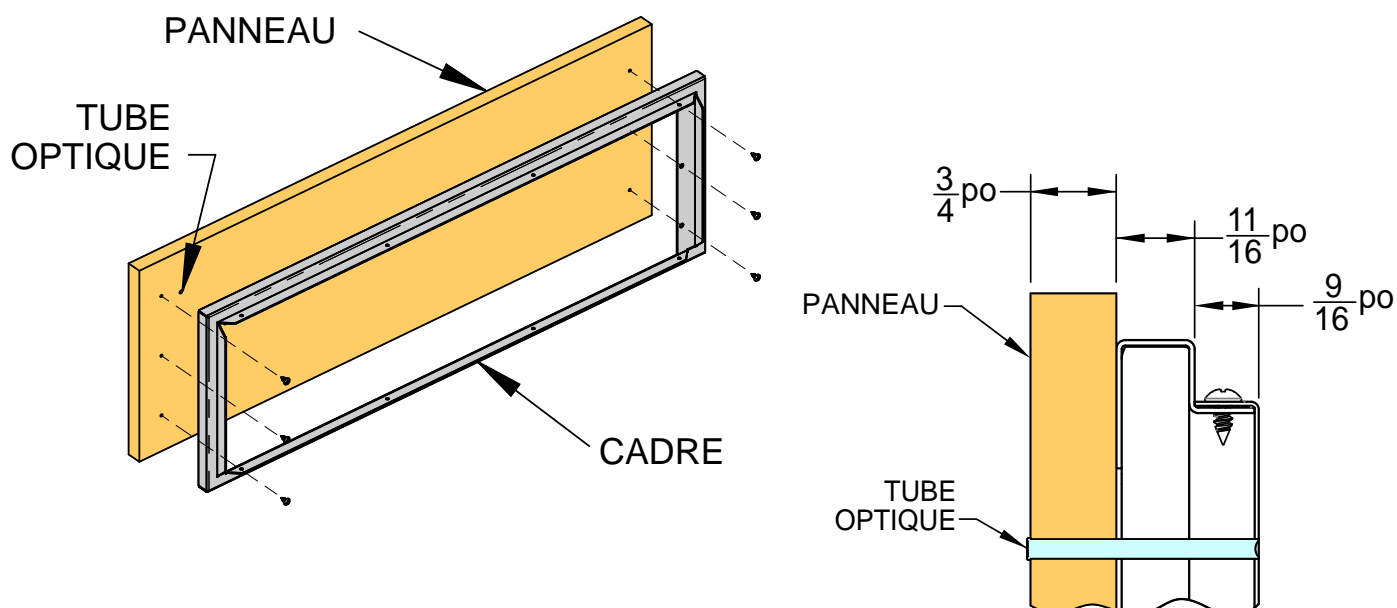


FIXATION DE PANNEAU PERSONNALISÉ

1. Il peut être plus facile de retirer le tiroir de l'unité (voir page 12). Retirez 8 vis du haut et du bas du cadre spécial comme indiqué ci-dessous. Cela détachera le cadre de l'assemblage.



2. Montez le cadre spécial sur votre panneau personnalisé. Un panneau typique a une épaisseur de $\frac{3}{4}$ po [19 mm]. Un tube optique est fourni dans le kit qui aide le voyant rouge sur la commande à briller à travers la face du tiroir. Le tube optique peut être ajusté par pression dans le nouveau trou que vous avez percé dans le panneau. Si votre panneau a une épaisseur inférieure à $\frac{3}{4}$ po [19 mm], vous pouvez couper la longueur du tube optique au besoin, mais soyez prudent car le matériau optique est fragile.

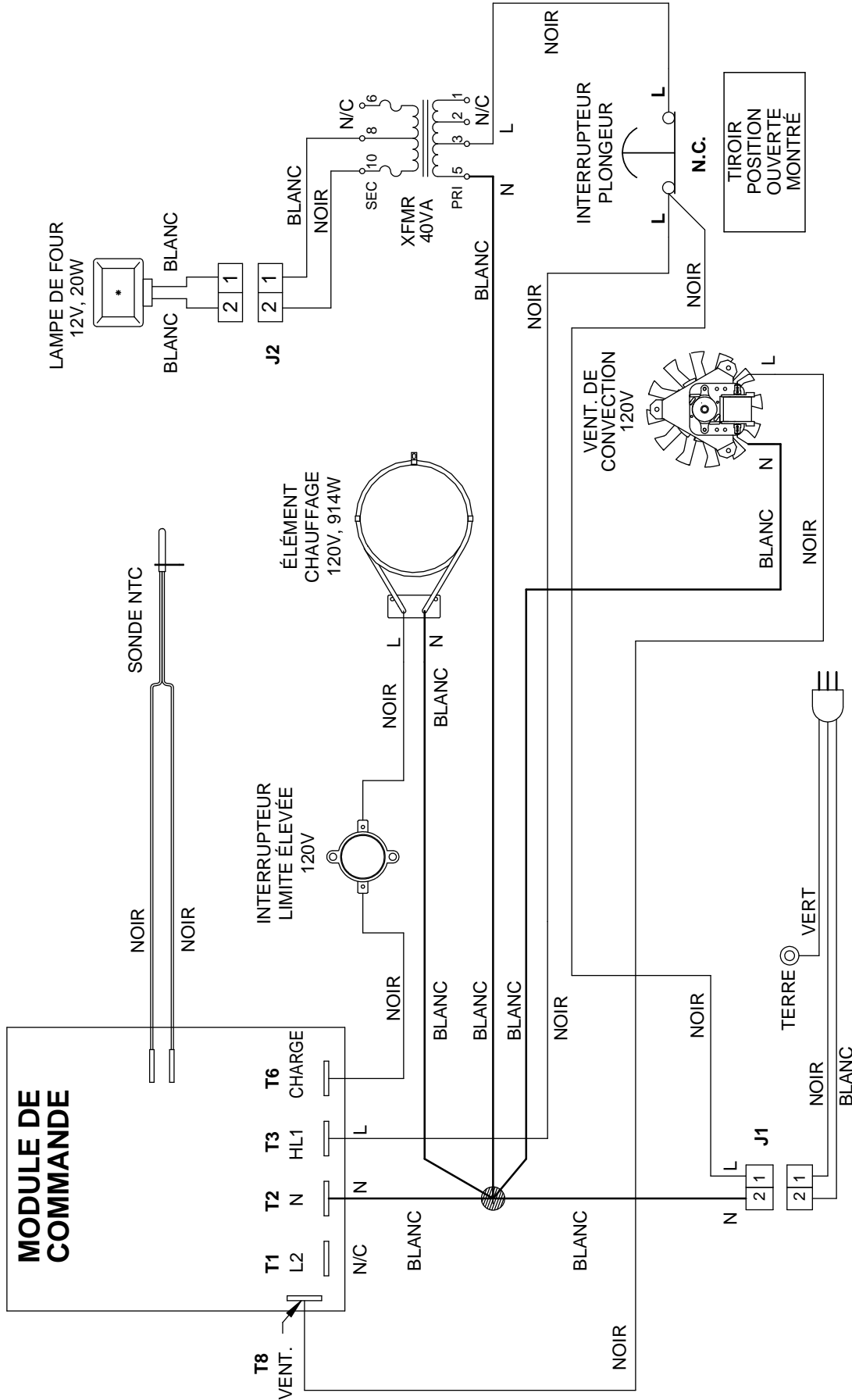


3. Installez le panneau et le cadre terminés sur le tiroir et réinstallez les 8 vis que vous avez retirées à l'étape 1. Réinstallez le tiroir si vous l'avez retiré.



SCHÉMAS DE CÂBLAGE

FR



CORDON D'ALIMENTATION, 4 Pieds, 3/14 AWG, SJTW

PIÈCES ET SERVICE



ENREGISTREMENT DE DONNÉES DE SERVICE

La plaque signalétique peut être vue avec le tiroir est ouvert. Il est situé sur la surface inférieure du tiroir. Voir «PLAQUE SIGNALÉTIQUE» à la page 5.

Le moment est venu d'écrire ces informations dans l'espace ci-dessous. Conservez votre facture pour la validation de la garantie.

Numéro de modèle _____

Numéro de série _____

Date d'installation ou d'occupation _____

LISTE DES PIÈCES



Visiter le site Web Hestan pour consulter la liste des pièces de ce produit de plein air Hestan : www.hestanhome.com.

SERVICE



Toutes les réparations dans le cadre ou en dehors de la garantie doivent être effectuées par du personnel d'entretien qualifié. Pour localiser un réparateur agréé dans la région, s'adresser au concessionnaire Hestan, au représentant local ou à l'usine. Avant d'appeler, veiller à avoir les numéros de modèle et de série à portée de la main. Ces informations figurent sur la plaque signalétique fixée au dessous du bac de récupération de l'appareil.

Hestan Commercial Corporation
3375 E. La Palma Avenue
Anaheim, CA 92806
(888) 905-7463

GARANTIE LIMITÉE



ÉLÉMENTS COUVERTS PAR LA PRÉSENTE GARANTIE LIMITÉE

Hestan Commercial Corporation (« HCC ») garantit à l'acheteur initial d'un appareil à gaz de plein air Hestan (le « Produit ») chez un revendeur agréé HCC que le Produit ne présente aucun vice de matière ni de fabrication pendant une période d'un (1) an à compter de la date de l'achat initial au détail ou de la date de clôture en cas de construction neuve, suivant la période la plus longue (« Période de garantie limitée »). HCC accepte de réparer ou de remplacer, à sa seule discrétion, tout composant ou pièce du Produit dont la défaillance est due à des vices de matières ou de fabrication pendant la Période de garantie limitée. La présente Garantie limitée n'est pas transférable et n'est offerte à personne d'autre que l'acheteur initial au détail (« Acheteur »). La présente garantie limitée n'est valable que pour les Produits achetés chez et reçus d'un revendeur agréé HCC dans tous les Etats-Unis, dans le District de Columbia et au Canada. La présente Garantie limitée ne s'applique qu'aux Produits pour usage non commercial, à l'exclusion de ceux utilisés à des fins commerciales.

MARCHE À SUIVRE POUR UNE RÉPARATION AU TITRE DE LA GARANTIE

En cas de défaillance du Produit pendant la Période de garantie limitée pour des raisons couvertes par la présente Garantie limitée, l'Acheteur doit contacter immédiatement le revendeur auquel il a acheté le Produit ou HCC au 888.905.7463.

Il incombe à l'Acheteur de rendre le Produit raisonnablement accessible pour réparation ou de régler les frais de mise à disposition raisonnable du Produit pour réparation. La réparation sera effectuée pendant les heures d'ouverture normales du Centre de réparation agréé par Hestan. Dans la mesure où l'Acheteur demande une réparation en dehors des heures d'ouverture normales du Centre de réparation agréé par Hestan, l'Acheteur règlera la différence entre le tarif normal et celui des heures supplémentaires ou des primes. L'Acheteur doit régler tous les frais de déplacement si celui-ci dépasse 80 km [50 miles] (dans un sens) par rapport au Centre de réparation le plus proche agréé par Hestan.



GARANTIE LIMITÉE (suite)

ALLONGEMENTS AU-DELÀ DE LA PÉRIODE DE GARANTIE LIMITÉE D'UN AN:

En plus de la Garantie limitée d'un an, les composants qui suivent bénéficient d'un prolongement de la garantie comme indiqué expressément ci-après :

1. Le corps de gril en acier inoxydable, les grilles de cuisson et celle de maintien au chaud DiamondCut, les brûleurs Trellis Burner en acier inoxydable de gril, les brûleurs de saisie et le brûleur à infrarouge de tournebroche (le cas échéant) du Produit sont garantis exempts de vices de matières et de fabrication dans des conditions normales d'utilisation non commerciale et de réparation. Cela exclut la corrosion, la rayure et la décoloration superficielles susceptibles de se produire pendant une utilisation normale et se limite au remplacement de la ou des pièces défectueuses, tous les autres frais, y compris ceux de main d'œuvre, de transport et de manutention le cas échéant, étant à la charge de l'Acheteur.
2. La broche, les plateaux à briquettes, les collecteurs, les robinets de gaz et les brûleurs scellés (le cas échéant) du Produit sont garantis exempts de vices de matières et de fabrication dans des conditions normales d'utilisation non commerciale et de réparation pendant une période de cinq (5) ans à compter de la date de l'achat initial. Cela se limite au remplacement des pièces défectueuses, tous les autres frais, y compris ceux de main d'œuvre, de transport et de manutention le cas échéant, étant à la charge de l'Acheteur.

ÉLÉMENTS NON COUVERTS PAR LA PRÉSENTE GARANTIE LIMITÉE

La présente Garantie limitée ne couvre pas ce qui suit, excluant toute responsabilité financière de HCC : tous dommages ou vices affectant tout Produit non acheté chez un revendeur agréé HCC ; variations de coloris dans la finition ou autres dommages esthétiques ; panne ou dommages dus à une utilisation abusive ou erronée, un accident, un incendie, une catastrophe naturelle, un usage commercial du Produit, une interruption de l'alimentation électrique ou en gaz du Produit ; dommages résultant d'une modification, d'une installation ou utilisation incorrecte du Produit ; dommages résultant de la réparation ou du remplacement incorrect ou sans autorisation de tout composant ou pièce du Produit ; dommages résultant d'un service après vente assuré par quiconque autre qu'un agent ou représentant agréé du réseau commercial de Hestan ; usure normale et détérioration ; dommages résultant de l'exposition du Produit à une atmosphère corrosive contenant du chlore, du fluor ou toute autre substance chimique nuisible ; dommages résultant de l'absence d'un entretien normal du Produit ; dommages dont HCC n'a pas été avisé ou qui se sont produits après expiration de la Période de garantie limitée ; dommages accessoires et indirects causés par tout vice de matière ou de fabrication.

ARBITRAGE :

La présente Garantie limitée est régie par la Loi fédérale sur l'arbitrage. Tout litige opposant l'Acheteur à HCC et relatif au Produit ou à la présente Garantie limitée doit être résolu par voie d'arbitrage exécutoire exclusivement sur une base individuelle avec l'Acheteur. L'arbitrage sera effectué par l'Association américaine d'arbitrage (American Arbitration Association, « AAA ») conformément à ses règles d'arbitrage pour la protection du consommateur ou par JAMS. L'audience d'arbitrage se tiendra devant un arbitre nommé par l'AAA ou par JAMS. L'arbitre ne devra procéder à aucun arbitrage collectif et l'Acheteur devra renoncer à tout recours contre HCC en qualité de représentant de tiers.

LIMITATION DE RESPONSABILITÉ :

La présente Garantie limitée constitue l'accord définitif, intégral et exclusif entre HCC et l'Acheteur eu égard au Produit.

IL N'EXISTE AUCUNE GARANTIE EXPRESSE AUTRE QUE CELLES ÉNUMÉRÉES ET DÉCRITES PLUS HAUT. AUCUNE GARANTIE EXPRESSE OU IMPLICITE, Y COMPRIS SANS S'Y LIMITER, TOUTE GARANTIE IMPLICITE DE QUALITÉ MARCHANDE OU D'ADAPTATION À UN USAGE PARTICULIER NE S'APPLIQUERA APRÈS L'EXPIRATION DE LA PÉRIODE DE GARANTIE LIMITÉE INDIQUÉE PLUS HAUT. AUCUNE GARANTIE EXPRESSE APPLICABLE À CE PRODUIT OFFERTE PAR UNE PERSONNE OU ENTREPRISE QUELCONQUE N'ENGAGERA HCC. HCC NE GARANTIT EN AUCUNE FAÇON L'ADAPTATION DU PRODUIT À UN USAGE PARTICULIER, SAUF DISPOSITION CONTRAIRE DE LA LÉGISLATION APPLICABLE.

HCC N'ASSUME AUCUNE RESPONSABILITÉ POUR TOUT MANQUE À GAGNER, IMPOSSIBILITÉ DE RÉALISER DES ÉCONOMIES OU AUTRES AVANTAGES NI POUR TOUT AUTRE DOMMAGE PARTICULIER, DIRECT OU INDIRECT CAUSÉ PAR L'UTILISATION, L'USAGE ABUSIF OU

(Suite à la page suivante)

GARANTIE LIMITÉE (suite)



L'INCAPACITÉ D'UTILISER CE PRODUIT, QUELLE QUE SOIT LA THÉORIE JURIDIQUE SUR LAQUELLE LA DEMANDE SE FONDE, MÊME SI HCC EST INFORMÉ DE LA POSSIBILITÉ DE TELS DOMMAGES. AUCUN RECOUVREMENT À L'ENCONTRE DE HCC NE SERA SUPÉRIEUR AU PRIX D'ACHAT DU PRODUIT.

SANS LIMITER LA PORTÉE DE CE QUI PRÉCÈDE, VOUS ASSUMEZ TOUS LES RISQUES ET LA RESPONSABILITÉ DES PERTES, DOMMAGES OU BLESSURES ET DÉGÂTS MATÉRIELS SUBIS PAR VOUS-MÊMES ET DES TIERS RÉSULTANT DE L'UTILISATION, DE L'USAGE ABUSIF OU DE L'INCAPACITÉ D'UTILISER CE PRODUIT, QUI NE SONT PAS CAUSÉS DIRECTEMENT PAR LA NÉGLIGENCE DE HCC. LA PRÉSENTE GARANTIE LIMITÉE FORMULE VOTRE RECOURS EXCLUSIF.

Aucune déclaration ni aucun engagement verbal ou écrit de la part de qui que ce soit, y compris sans s'y limiter un employé, représentant ou agent de HCC, ne créera une garantie ni élargira en quoi que ce soit la portée de la présente Garantie limitée expresse d'un an. En cas de divergence entre la présente garantie limitée et tout autre accord ou déclaration lié ou relatif au Produit, ce sera cette Garantie qui s'applique. Si une disposition quelconque de la présente Garantie limitée est déclarée invalide ou inapplicable, elle sera réputée modifiée dans la limite nécessaire pour la rendre applicable et le reste de la Garantie limitée restera valide et applicable selon ses modalités.

INTERACTION ENTRE CERTAINES LOIS ET LA PRÉSENTE GARANTIE LIMITÉE :

Il se peut que certains États, Provinces et Territoires n'autorisent pas la limitation de durée d'une garantie implicite ni l'exclusion ou la restriction des dommages directs ou indirects. Les limitations ou exclusions qui précèdent peuvent par conséquent ne pas être applicables. Il se peut que certains États, Provinces ou Territoires prévoient d'autres droits et recours en matière de garantie. Les dispositions de la présente Garantie limitée n'ont pas pour but de limiter, modifier, restreindre, nier ni exclure les conditions obligatoires de garantie prévues par des États, Provinces ou Territoires, y compris certaines garanties implicites. La présente garantie confère des droits précis, auxquels peuvent s'en ajouter d'autres qui varient selon le lieu.

Toute question relative à la présente Garantie limitée peut être adressée à
Hestan Commercial Corporation au (888) 905-7463

FR

RETAIN THIS MANUAL FOR FUTURE REFERENCE
CONSERVEZ CE MANUEL POUR UNE RÉFÉRENCE FUTURE



Hestan Commercial Corporation

3375 E. La Palma Ave.

Anaheim, CA 92806

(888) 905-7463