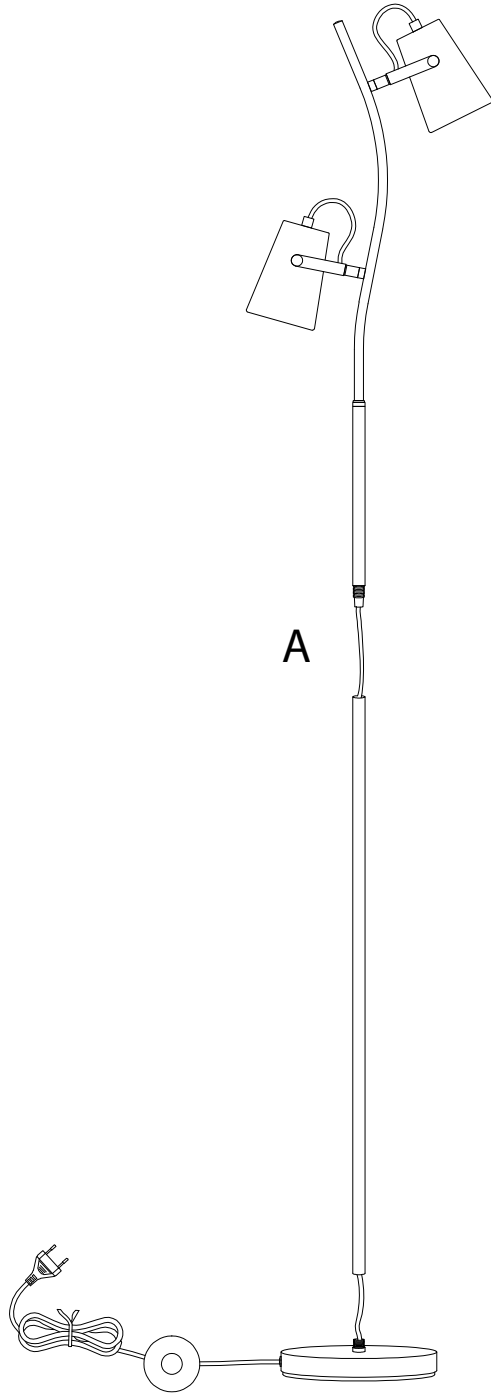
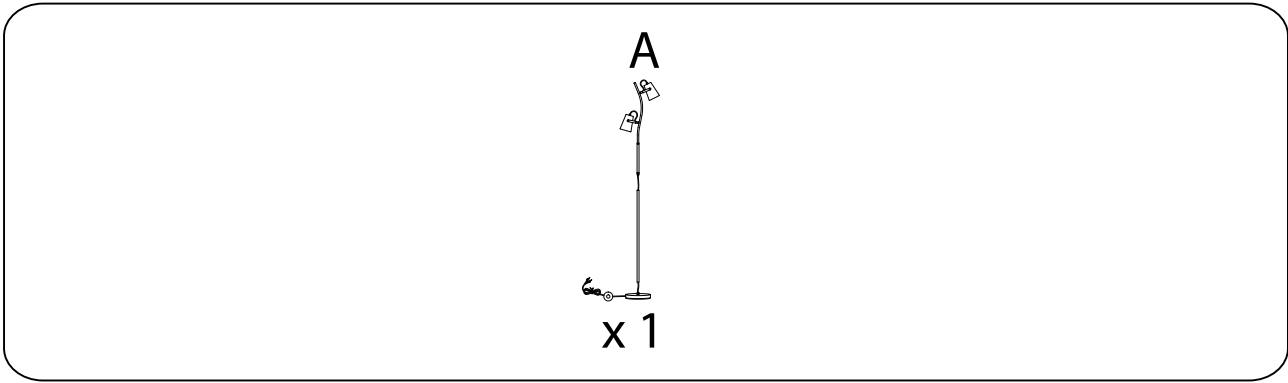
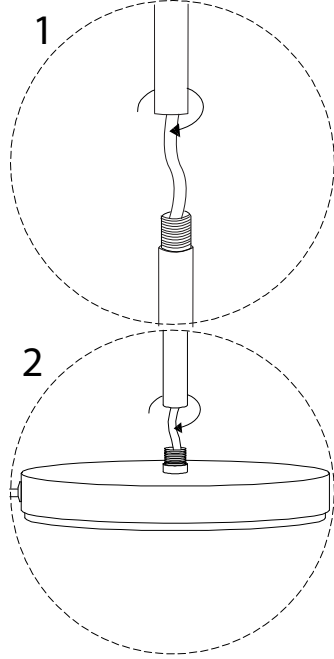
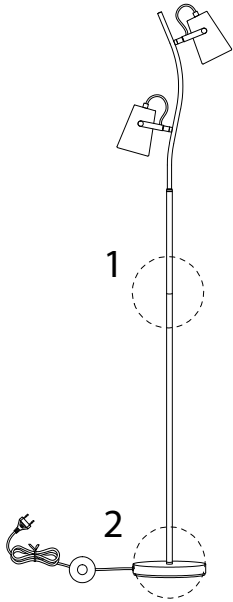


Diagram illustrating safety instructions for the lamp:

- Warning 1:** A box containing a crossed-out power drill icon and a warning triangle with an exclamation mark. This indicates that power tools should not be used on the lamp's base.
- Warning 2:** A box containing two icons of a rectangular block on a surface. The left icon shows the block on a flat surface, and the right icon shows the block on a surface with a hole, with a crossed-out arrow pointing to the hole. A warning triangle with an exclamation mark is positioned above this box, indicating that the lamp should be placed on a flat, stable surface.
- Time:** A clock icon with the text "15'" below it, indicating a 15-minute assembly time.
- Person:** A stick figure icon with the text "1" below it, indicating that one person is required for assembly.



1



2

