

BLANCO SUBLINE 320-U

Item No. BL467475

Pros



Picture similar

The designer line for undermount installation in SILGRANIT® PuraDur® II

- Maximum bowl size provided by the very best in production and mounting technology
- Mounting involves no additional expense
- Undermount bowl for discerning demands on design
- Timelessly elegant, contoured bowl design
- Entire system for a wide variety of plans featuring large and small bowls
- Elegant and hygienic: the covered C-overflow®
- Optional accessories

Colours



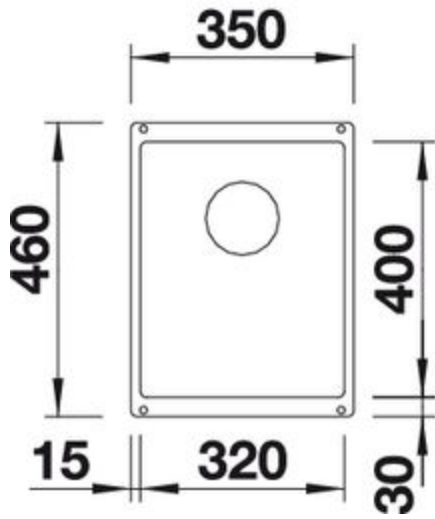
SILGRANIT® PuraDur®

Item No. BL467475

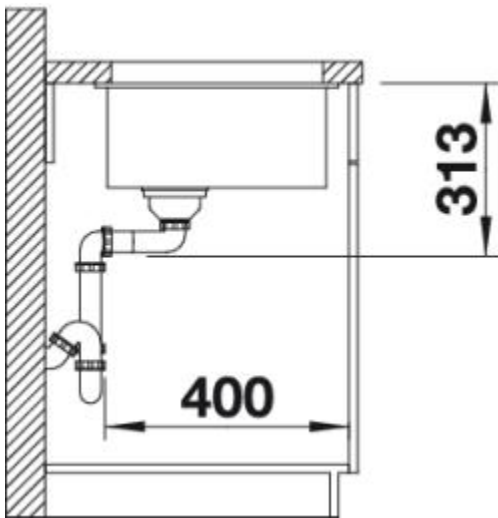
Available colours

	white		tartufo		rock grey
	<u>pearl grey</u>		jasmine		coffee
	champagne		anthracite		alu metallic

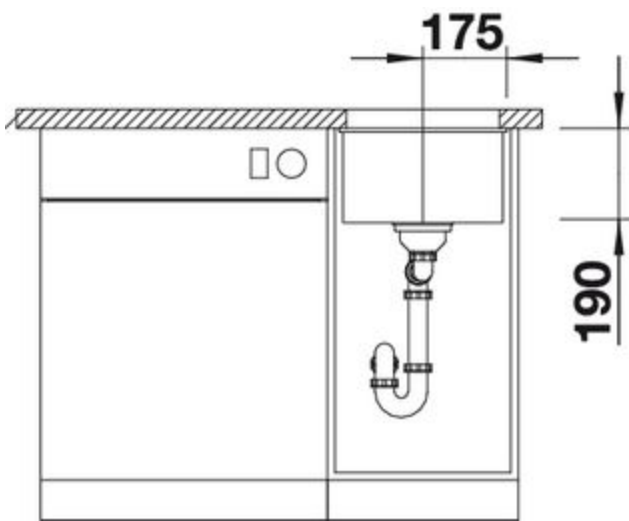
Details



Top View



Side View



Front View

Scope of supply

3 1/2" basket strainer, fixing kit 218 269 included (sealing not included)

Design tips

Cabinet Width: 40 cm
Bowl depth: 190 mm
Corner radius: 10mm
Cut out size: 320 x 400 x R10

Cut out information supplied with bowls.
Cut out CNC files also available on www.blanco.co.uk for download.

Taps



BLANCO LINEE-S
pearl grey / chrome
BM2200PG



BLANCO PRINZ
chrome
BM1000CH



BLANCO LINUS-S
pearl grey
BM3650PG

Optional Accessories



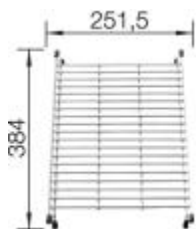
Chopping board
BL230700



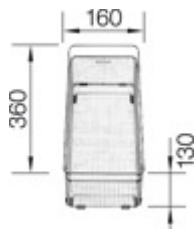
Cutting board
BL227697



Colander
BL227689



Floating grid
BL233542



Colander
BL223297

BLANCO UK Limited

Tel: 01923 635200

Fax: 0800 0911608

› www.blanco.co.uk