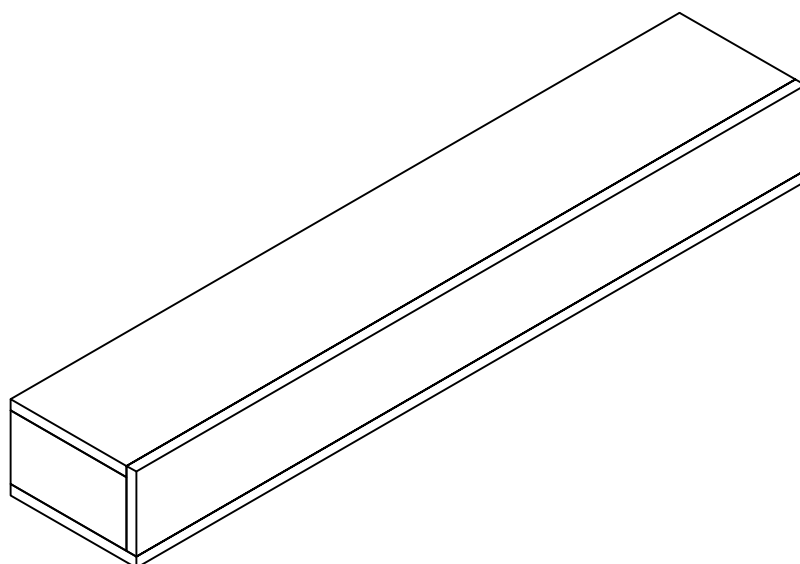


MANTEL SHELF



INSTRUCTION MANUAL

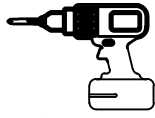
V2.0

⚠ NOTICE

Please retain these instructions for future reference.

- Please do not exceed the weight limitations of this item.
 - Do not stand on or use any part of this item as a step ladder.
 - Firmly secure all bolts, screws before use.
 - Do not use or store this item in the proximity of open flame or flammable/combustible chemicals.
 - Be aware that some parts are heavy and have sharp edges.
 - If any parts are missing, broken, damaged, or worn, stop using this product until repairs are made and/or factory replacement parts are installed.
-

TOOLS RECOMMENDED



POWERDRILL



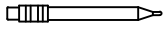
TAPE MEASURE



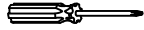
LEVEL



DRILL ϕ 6



PENCIL



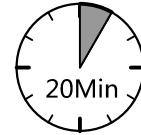
Phillips screwdriver



STUD FINDER

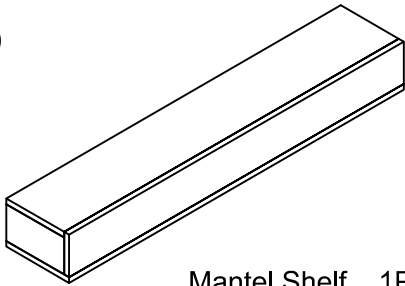


2 PERSON
ASSEMBLY



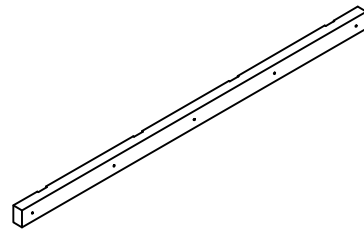
BUILD TIME

①



Mantel Shelf 1PC

②



Mounting Board 1PC

Hardware

a



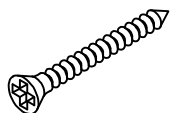
wood screw
3.5x60mm 5PCS

b



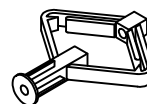
Anchor 5PCS

c



wood screw
3.5x60mm 5PCS

d

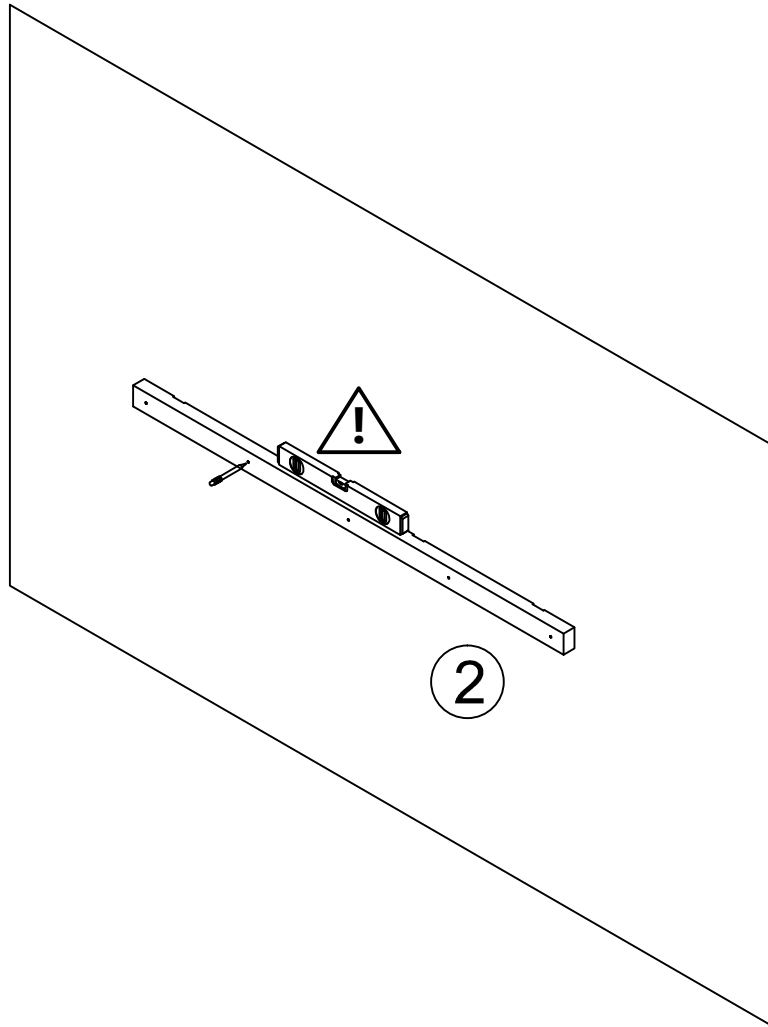


Anchor 5PCS

1

Put the Mounting Board to the Wall Where You Want to Install Mark All Holes with Pen or Pencil

⚠ Ensure Bracket is Level



For Wood Wall :

Use Stud Finder(not included) to Locate Wood Studs.
Secure the Mounting Board to the Wall Using (a) Screw Directly

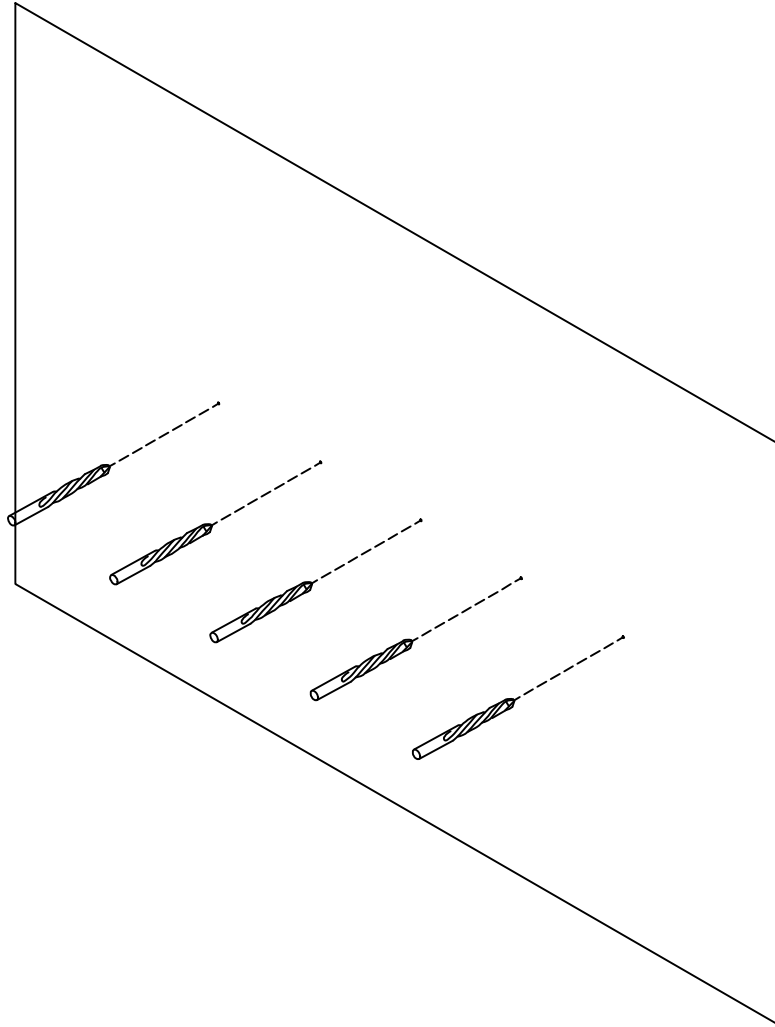
For Dry wall or Cement , Brick Wall , Follow the Step 2 and 3

4

2

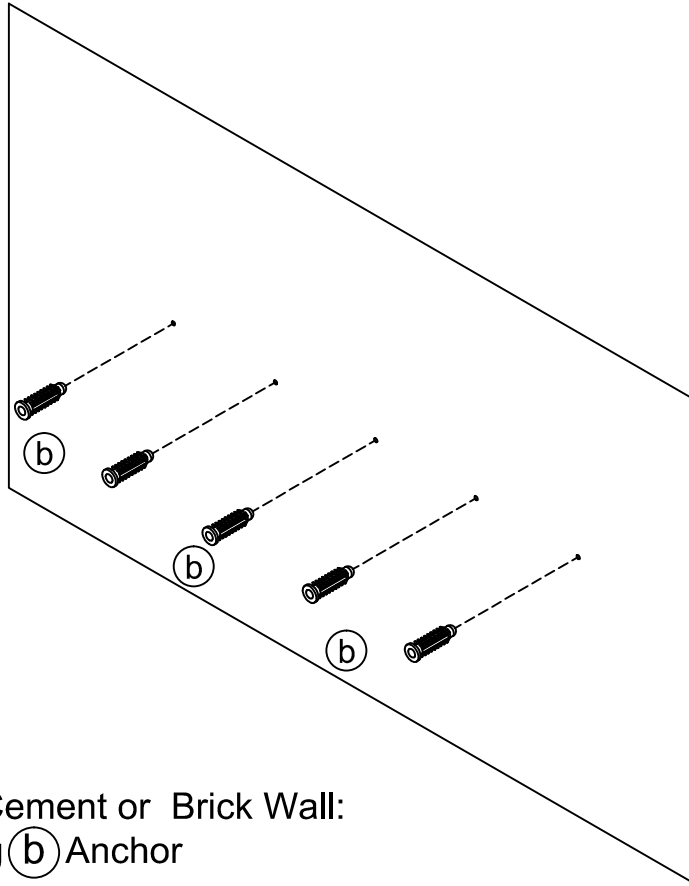
For Cement or Brick Wall: Drill $\text{\O}6$ Hole at the Pencil Marks

For Dry wall: Drill $\text{\O}10$ Hole

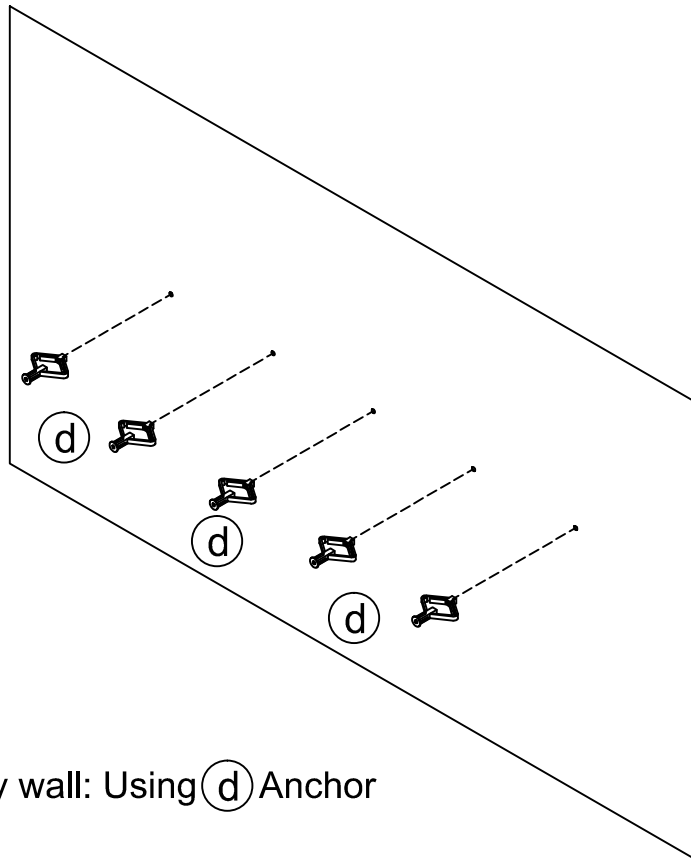


3

Hammer the Anchors into Place



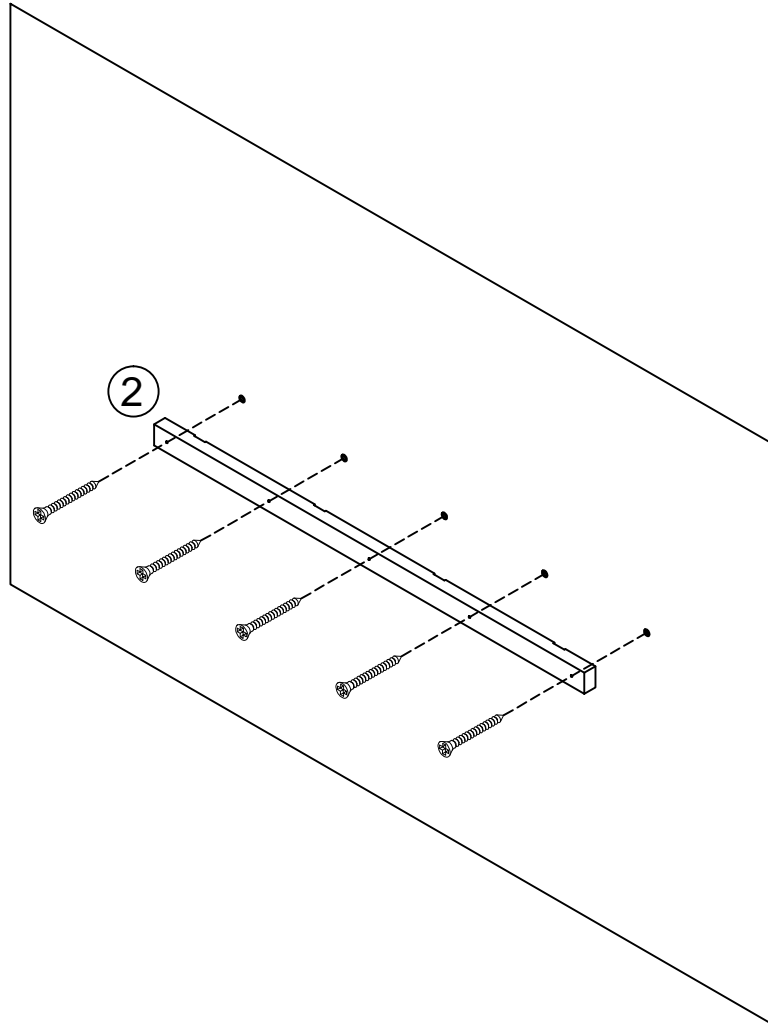
For Cement or Brick Wall:
Using (b) Anchor



For Dry wall: Using (d) Anchor

4

Attach the Mounting Board to the Wall Using (a) Screw to (b) Anchor
or (c) Screw to (d) Anchor



4

Insert the Shelf to the Mounting Board ,push down until the shelf is tight against the wall

