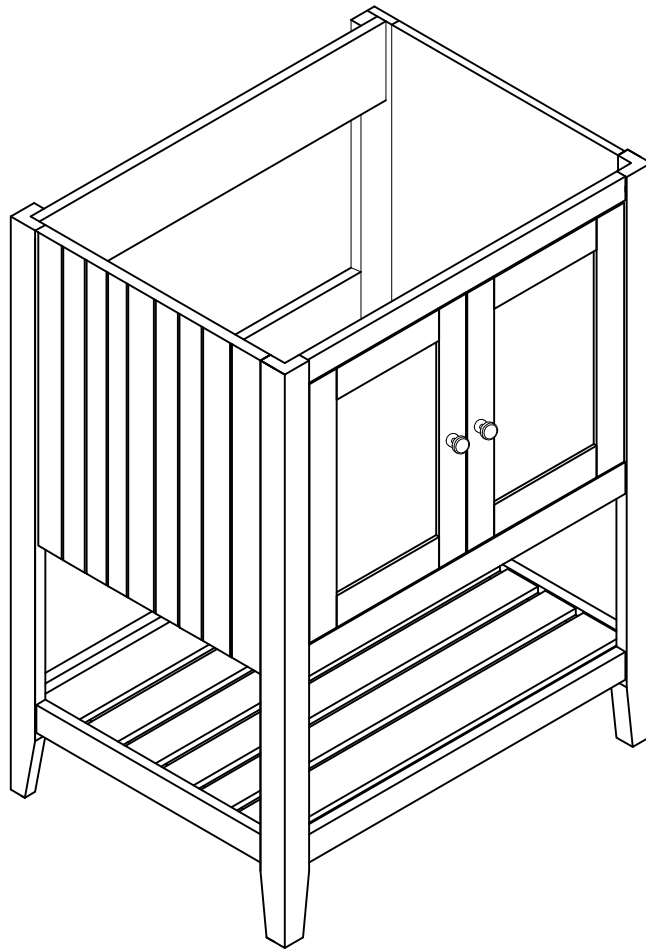
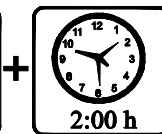
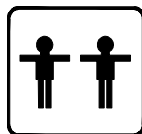


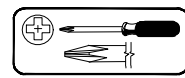
BATHROOM VANITY



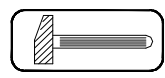
*** Use of power tool to assemble this product will invalidate any claim and damage this product making unsafe !!!**
*** Please assemble on a clean soft surface to avoid damage.**



Tools Required



(Not included)



(Not included)

IMPORTANT:

PLEASE READ INSTRUCTION BEFORE STARTING THE ASSEMBLY

Thank you for buying our products.

Please read the installation manual carefully before installation,

we need you to follow the instructions on the accessories and hardware

step by step assembly complete, our instructions are very detailed.

Products are environmentally friendly products,

Please rest assured that you do not soak in water, do not place very heavy items,

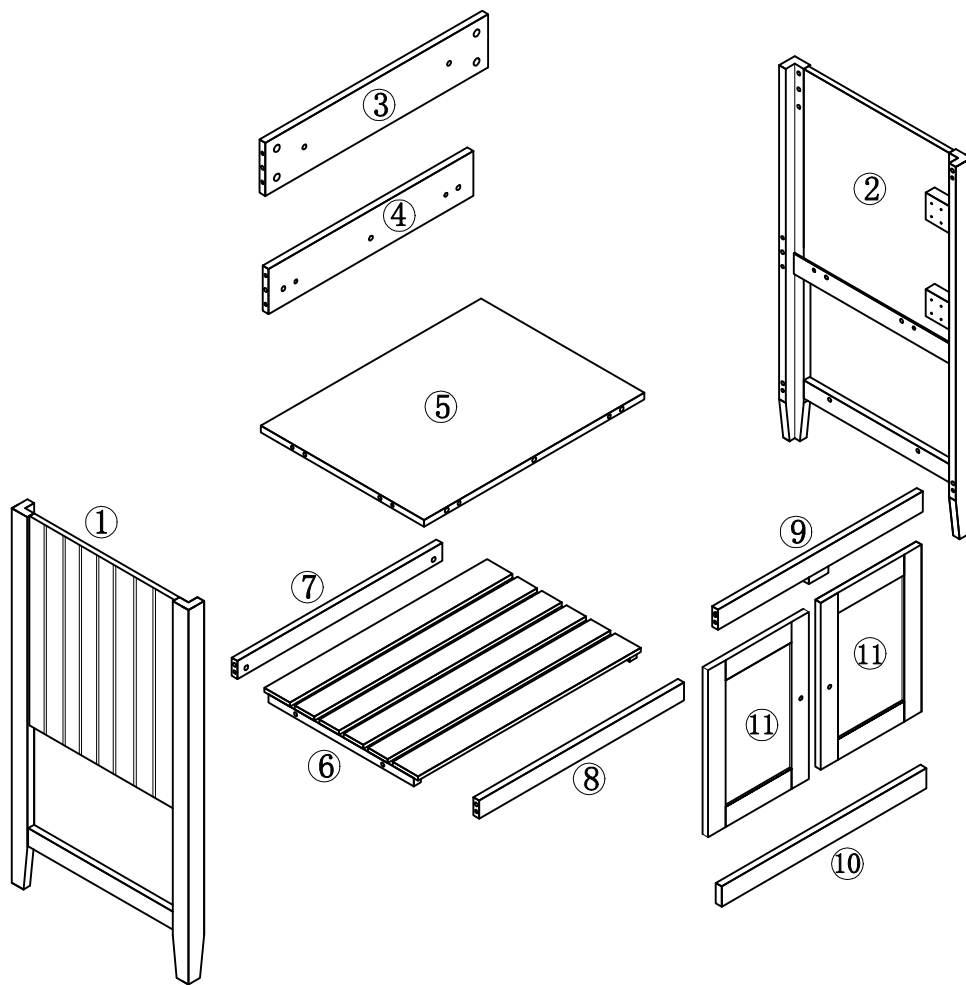
do not malicious push and pull,

if you have any problems in the process of assembly and use, please contact us.

Thank you again for your purchase of our products,

I wish you a happy life.

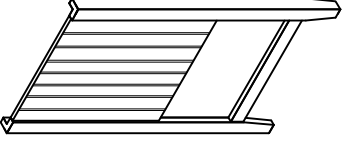
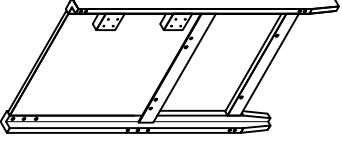
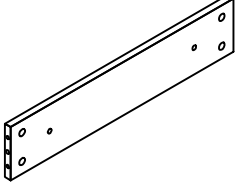
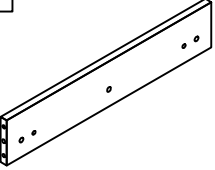
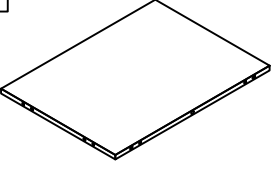
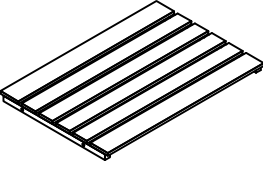
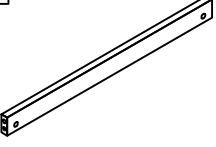
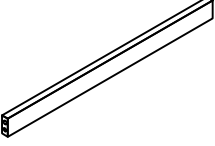
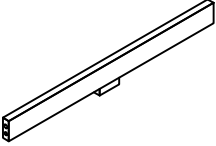
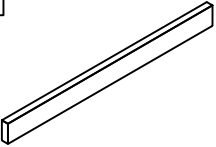
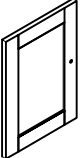
Detail View - BATHROOM VANITY




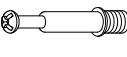

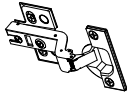


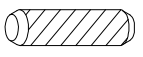
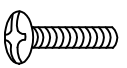
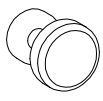
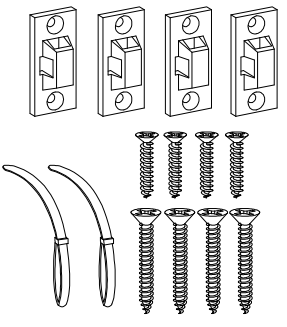
Identifying the Hardware-Identify the hardware using the illustrations below.

Part List

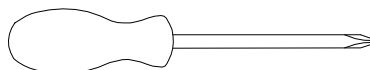
WF287735

<p>1</p>  <p>Left side box - 1pc</p>	<p>2</p>  <p>Right side box - 1pc</p>	<p>3</p>  <p>Rear upper cross plate - 1pc</p>
<p>4</p>  <p>Rear middle cross plate - 1pc</p>	<p>5</p>  <p>Laminate - 1pc</p>	<p>6</p>  <p>Tray - 1pc</p>
<p>7</p>  <p>Rear lower cross plate - 1pc</p>	<p>8</p>  <p>Front lower cross plate - 1pc</p>	<p>9</p>  <p>Front upper cross plate - 1pc</p>
<p>10</p>  <p>Front middle cross plate - 1pc</p>	<p>11</p>  <p>cabinet door - 2pc</p>	

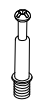
Hardware List—WF287735

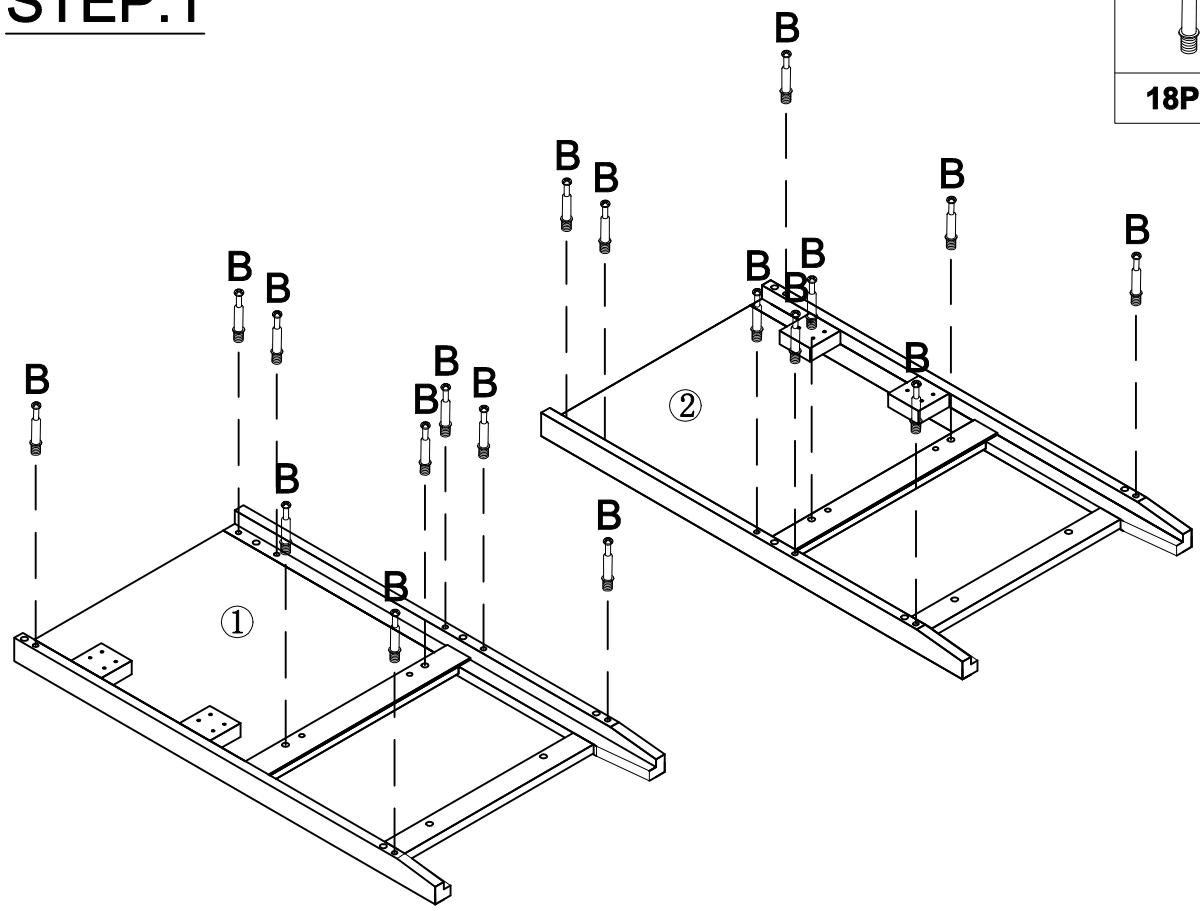
A  ø12x1/4"x28mm Hex-Head bolts(4pcs)	B  ø6x35mm Three in one bolts(24pcs)	C  ø14.5x12mm Three in one lock(24pcs)
D  Damping hinge(4pcs)	E  ø7xø3.5x15mm Flat head screw(24pcs)	F  4mm Allen key(1pcs)
G  ø8x30mm Wood dowel(18pcs)	H  ø5/32"x20mm Handle screw(2pcs)	J  ø10xø30mm handle(2pcs)
K  Anti fall hardware(1set)		

ASSEMBLY TOOLS REQUIRED (NOT INCLUDED)




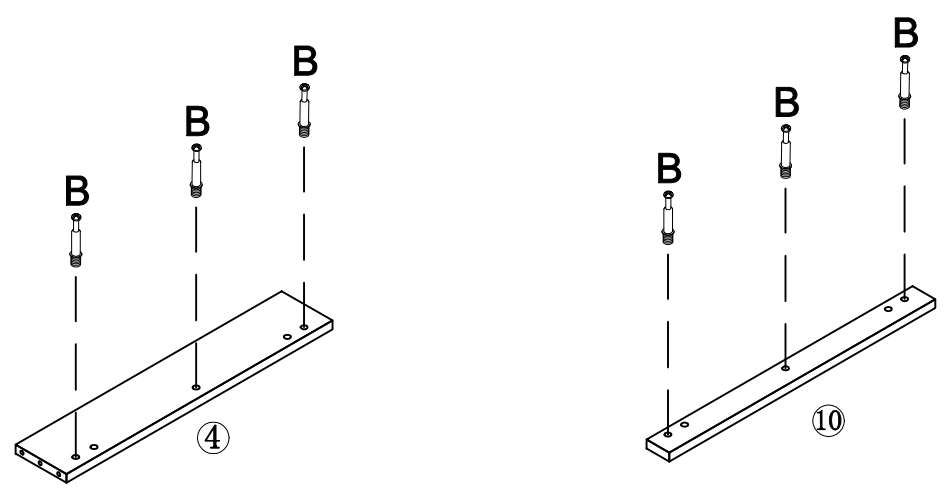
STEP:1

B	
18PCS	





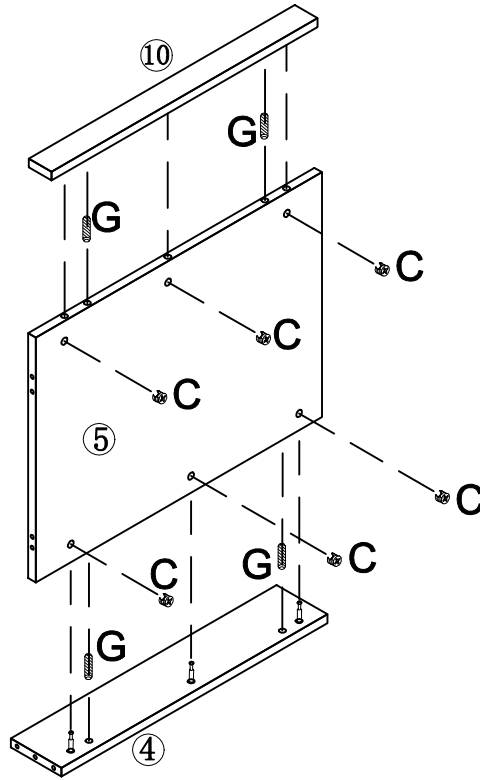
STEP:2

B	
6PCS	



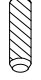


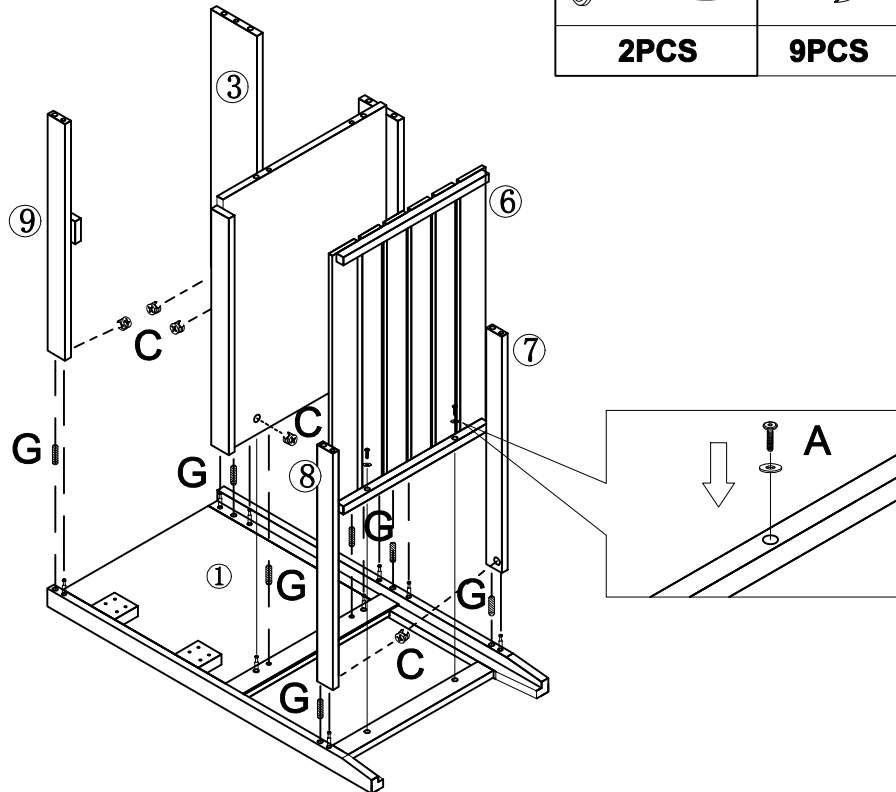
STEP:3

C		G	
6PCS		4PCS	






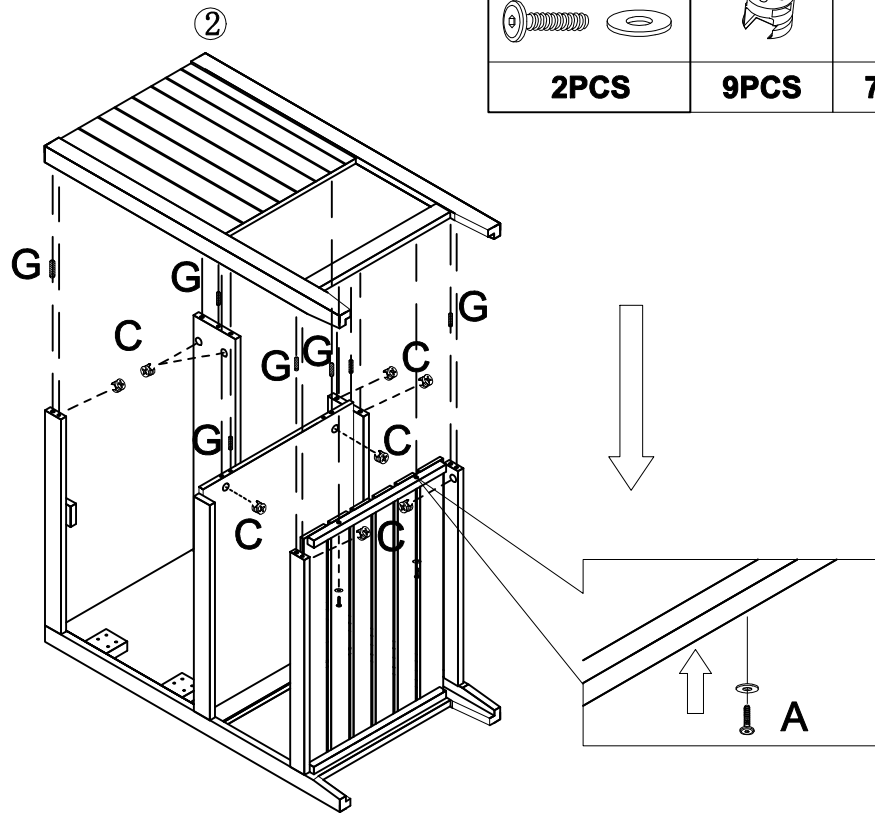
STEP:4

A		C		G	
2PCS		9PCS		7PCS	

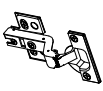
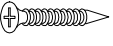


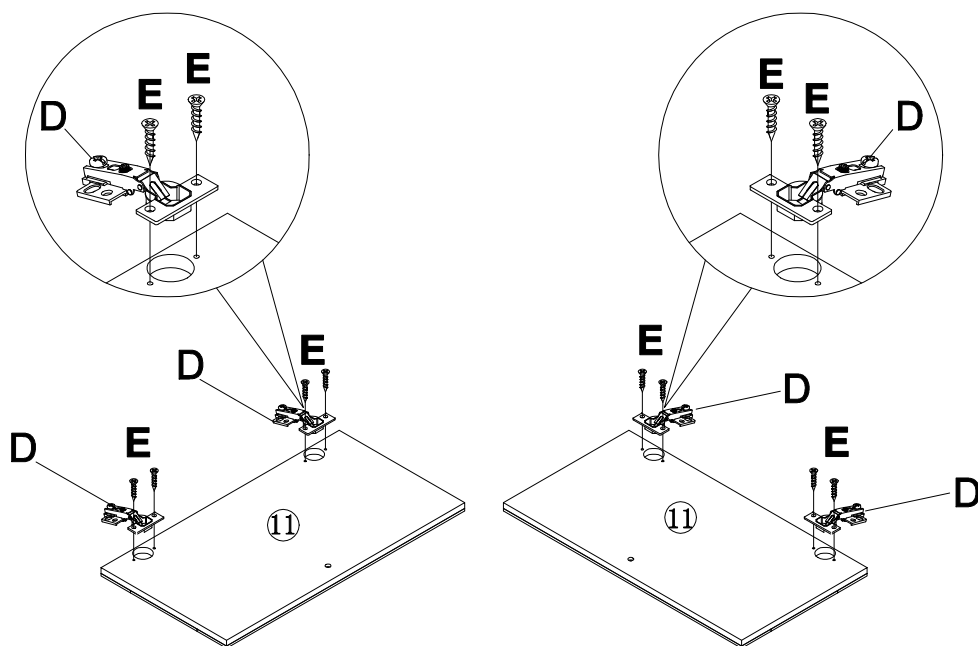
STEP:5

A	C	G
		
2PCS	9PCS	7PCS




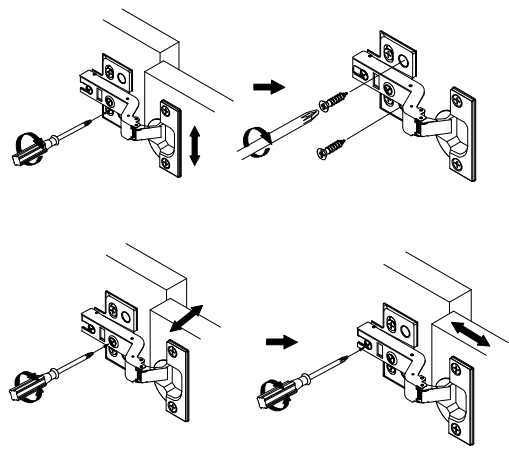
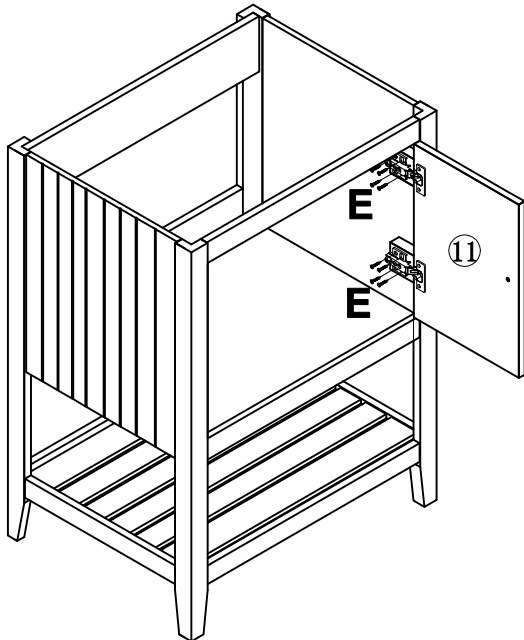
STEP:6

D	E
	
4PCS	8PCS

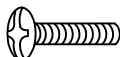




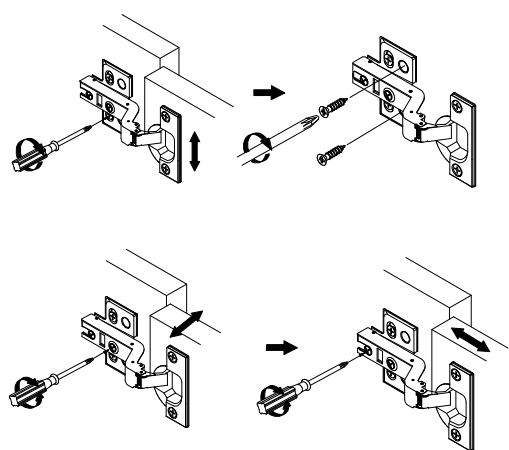
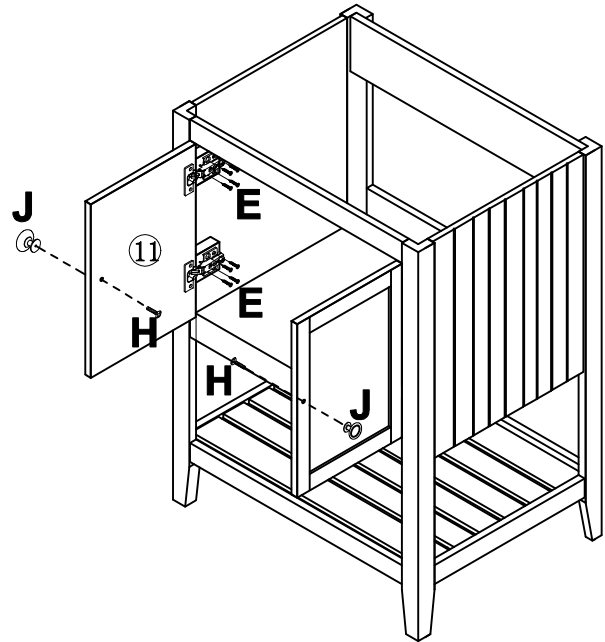
STEP:7

E

8PCS

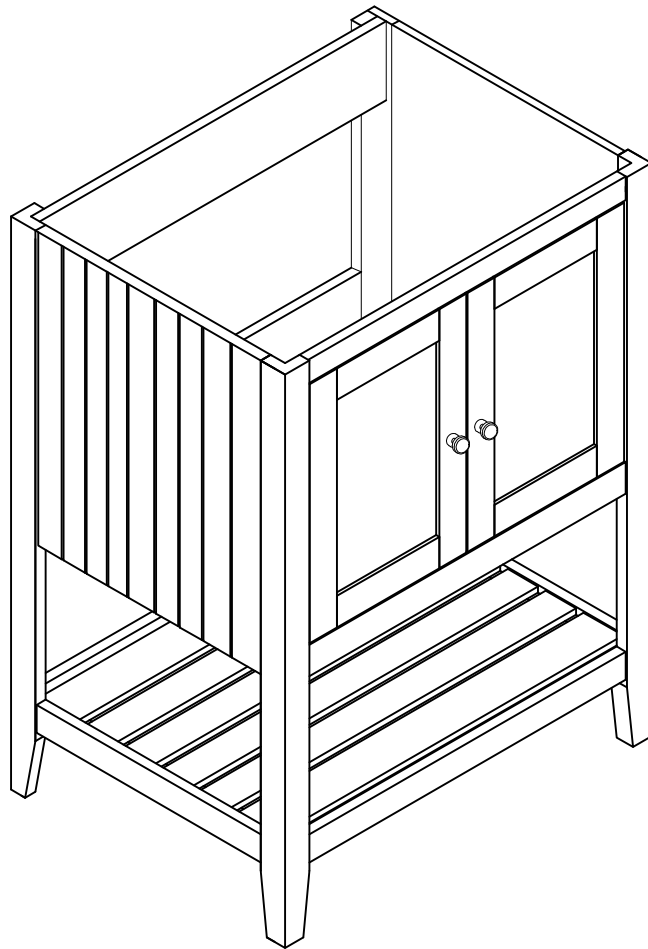


STEP:8

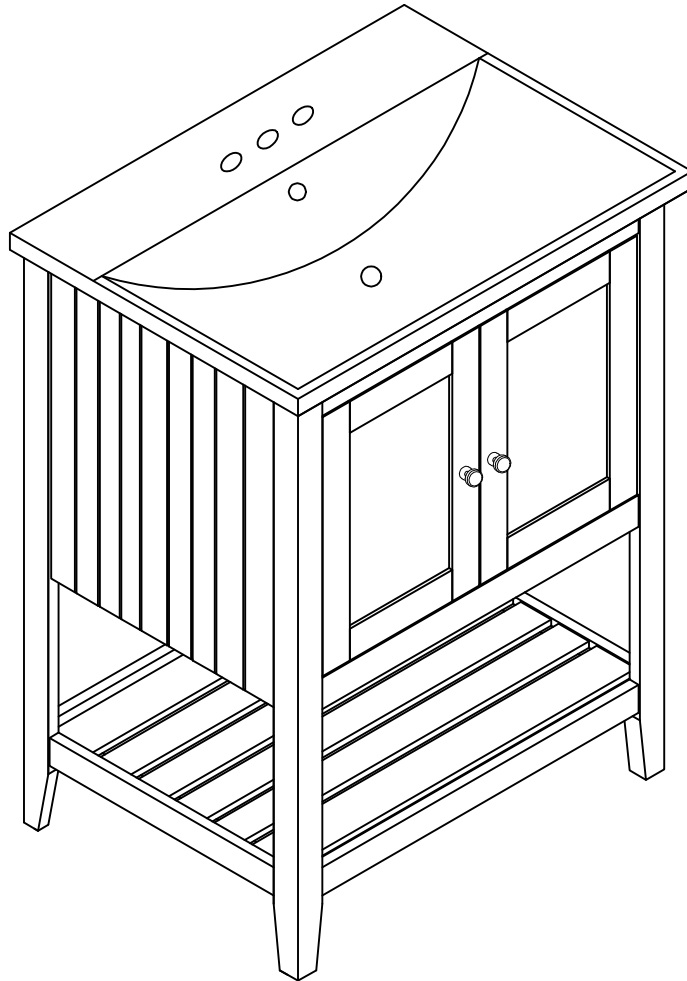
H	J	E
		
2PCS	2PCS	8PCS



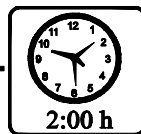
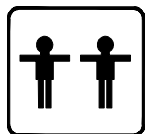
STEP:9



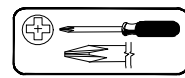
BATHROOM VANITY



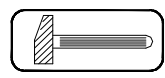
*** Use of power tool to assemble this product will invalidate any claim and damage this product making unsafe !!!**
*** Please assemble on a clean soft surface to avoid damage.**



Tools Required



(Not included)

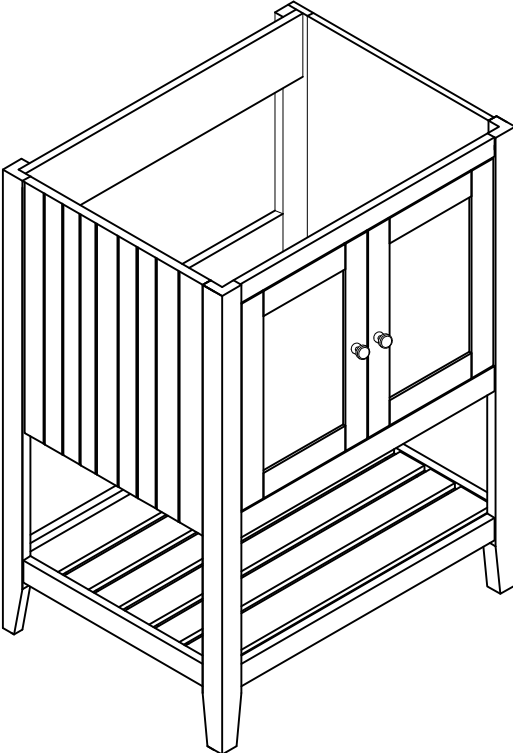
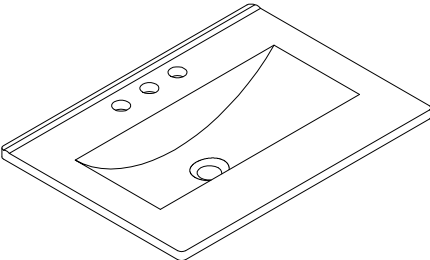


(Not included)

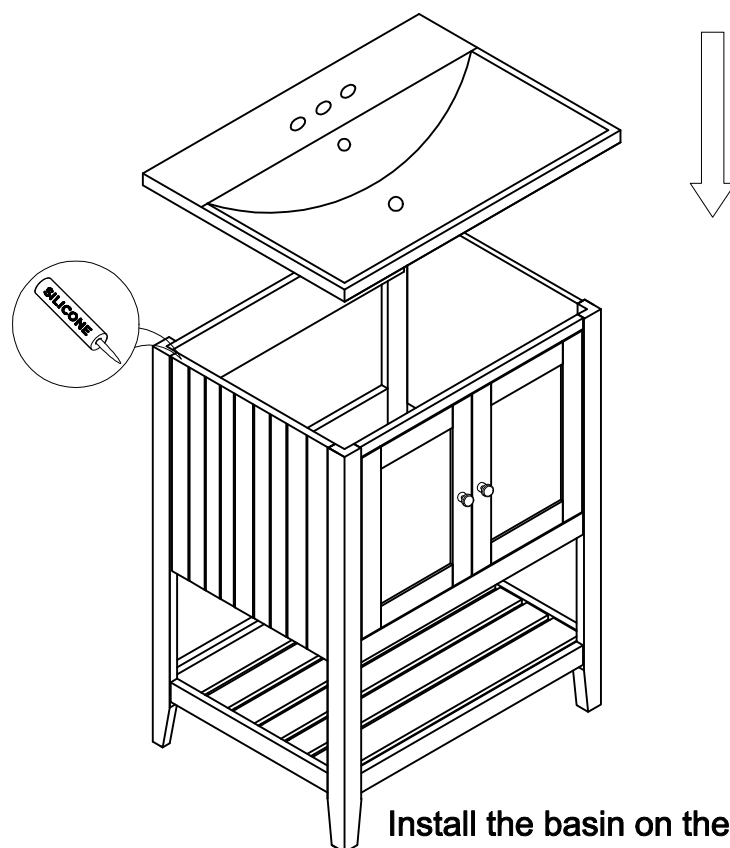
IMPORTANT:

PLEASE READ INSTRUCTION BEFORE STARTING THE ASSEMBLY

Part List



STEP:1



Install the basin on the cabinet with glue.
Let stand for 24 hours

STEP:2

