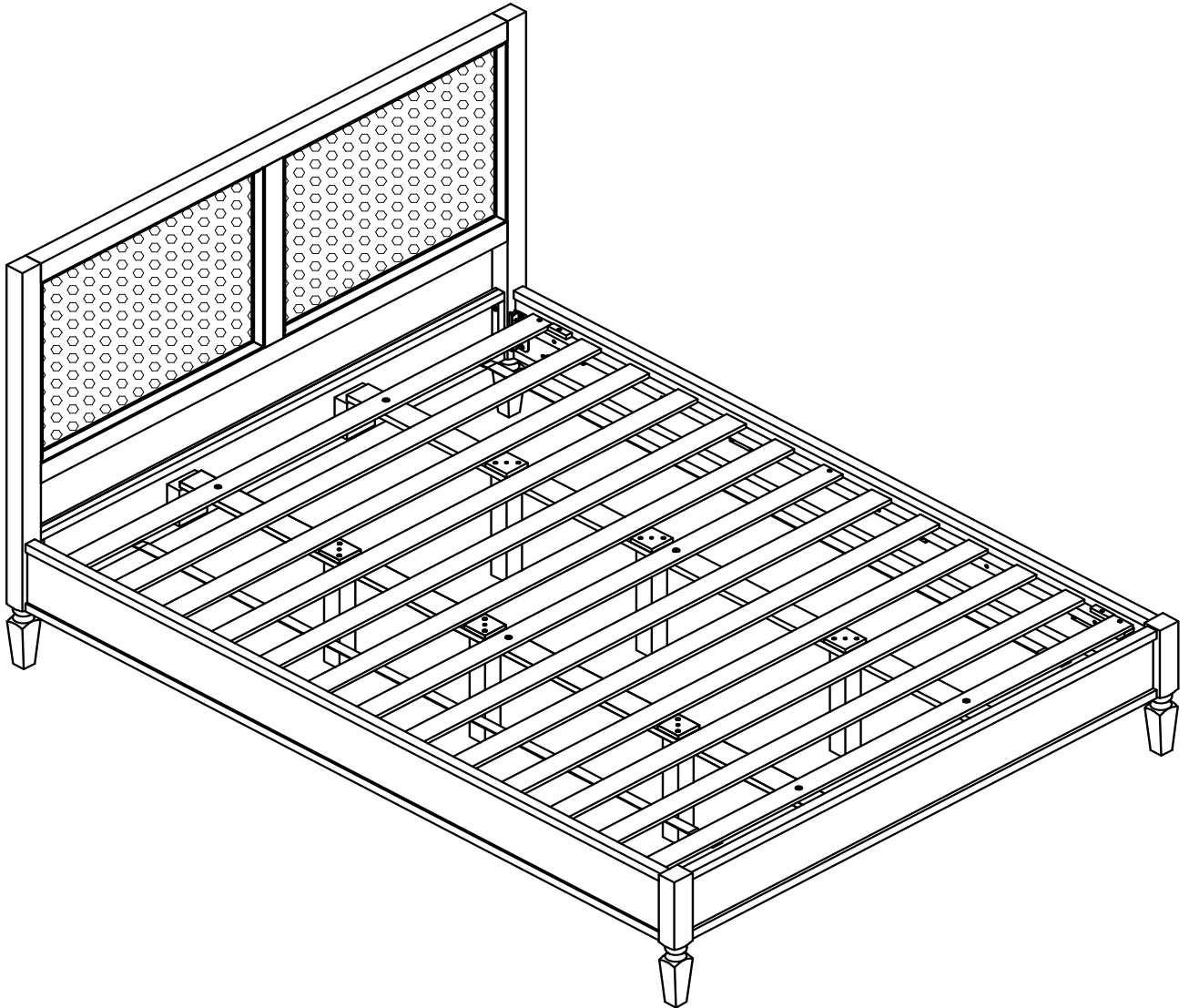


Assembly Instructions

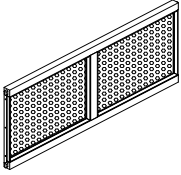
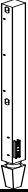

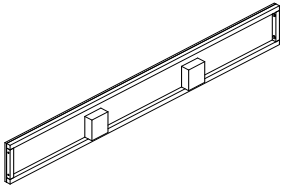
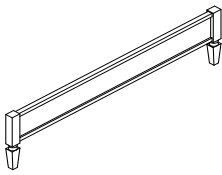
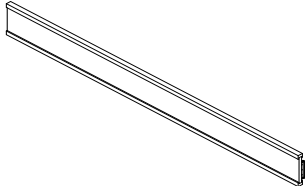
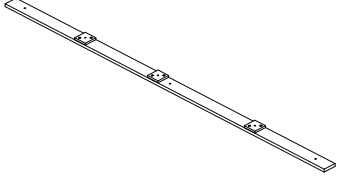
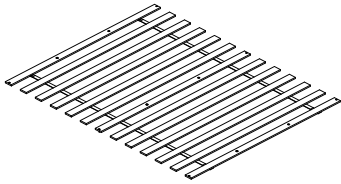

Caution : You must read this Assembly Instructions before you proceed.

Please look into the headboard box for hardware pack.

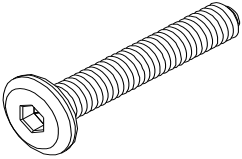
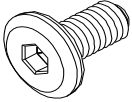
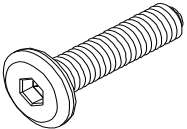
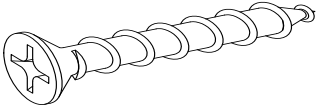


BED



Parts List

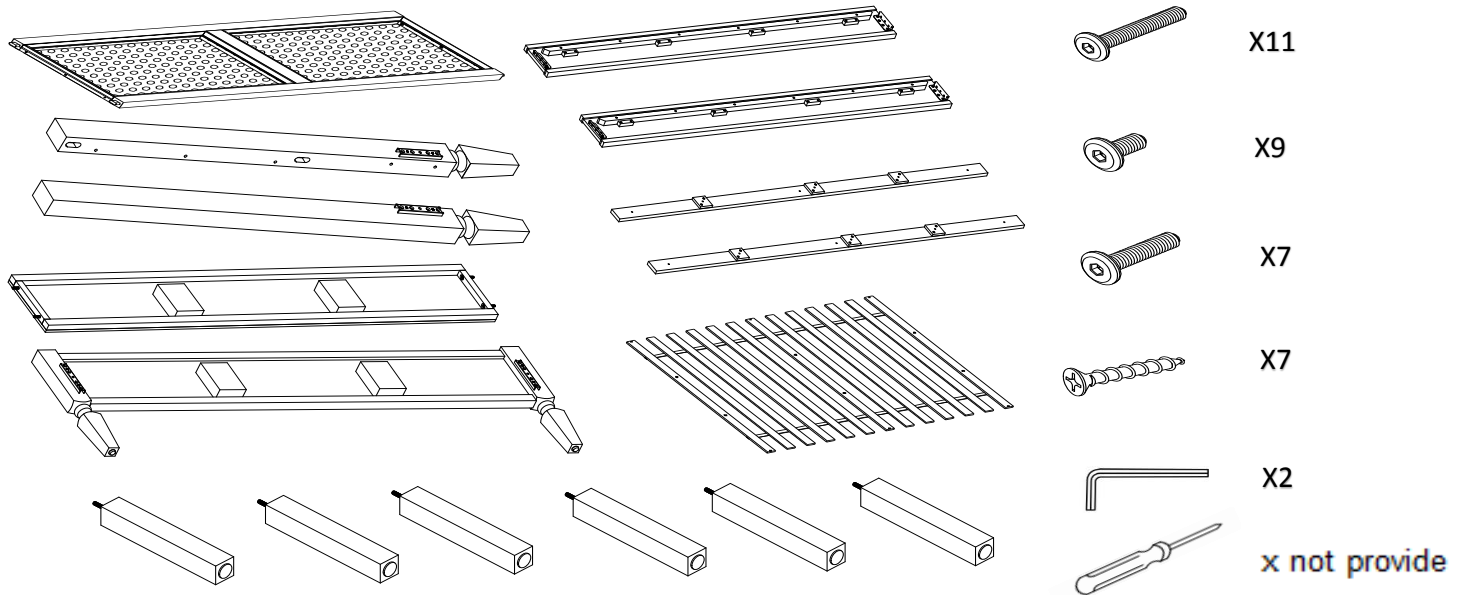
Label	Picture	Description	QTY
A		Headboard	1
B		Right Leg	1
C		Left Leg	1
D		First Support Bar	1
E		Footboard	1
F		Side Rail	2
G		Second Support Bar	2
H		Slat Frame	1
I		Support Leg	6

Hardware

Label	Picture	Description	QTY
①		Bolt (M6 x 35 mm)	11
②		Bolt (M6 x 10 mm)	9
③		Bolt (M6 x 25 mm)	7
④		Screw (Ø4 x25 mm)	7
⑤		Allen Wrench (K4)	2
⑥		Screwdriver (not provided)	1

Assembly Preparation

Before Beginning Assembly:



- Read instructions, cover to cover-



- Have 2 adults on hand for assembly-



- Do not assemble on flooring or carpet-



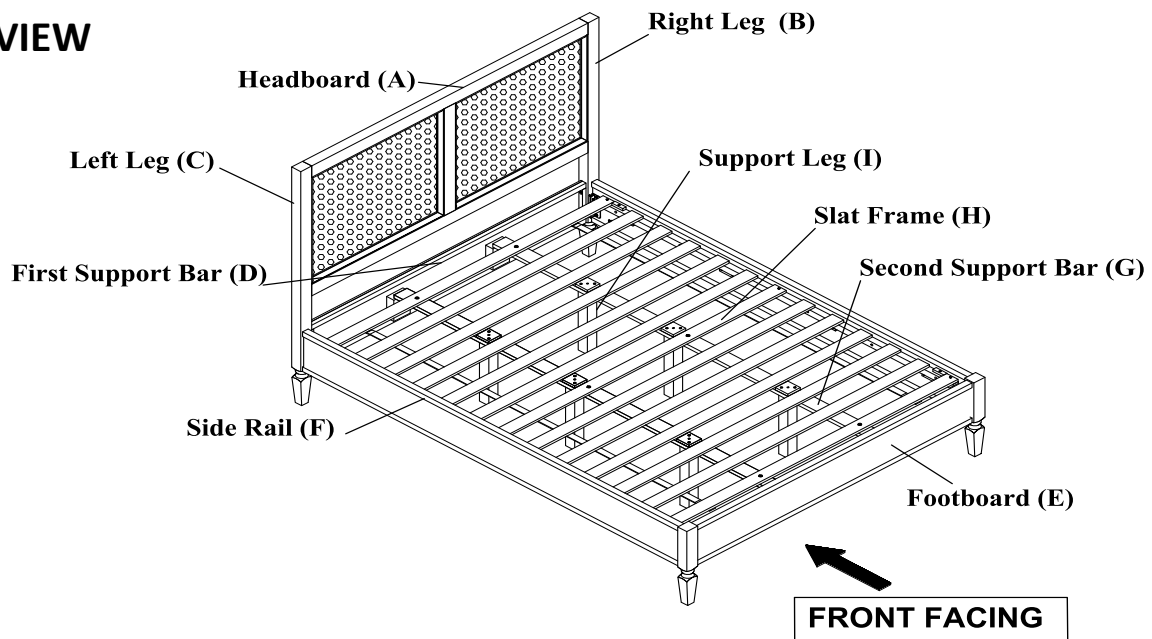
- Assemble on a clean non-marring surface (packing foam)-



- Save all packaging until finished-

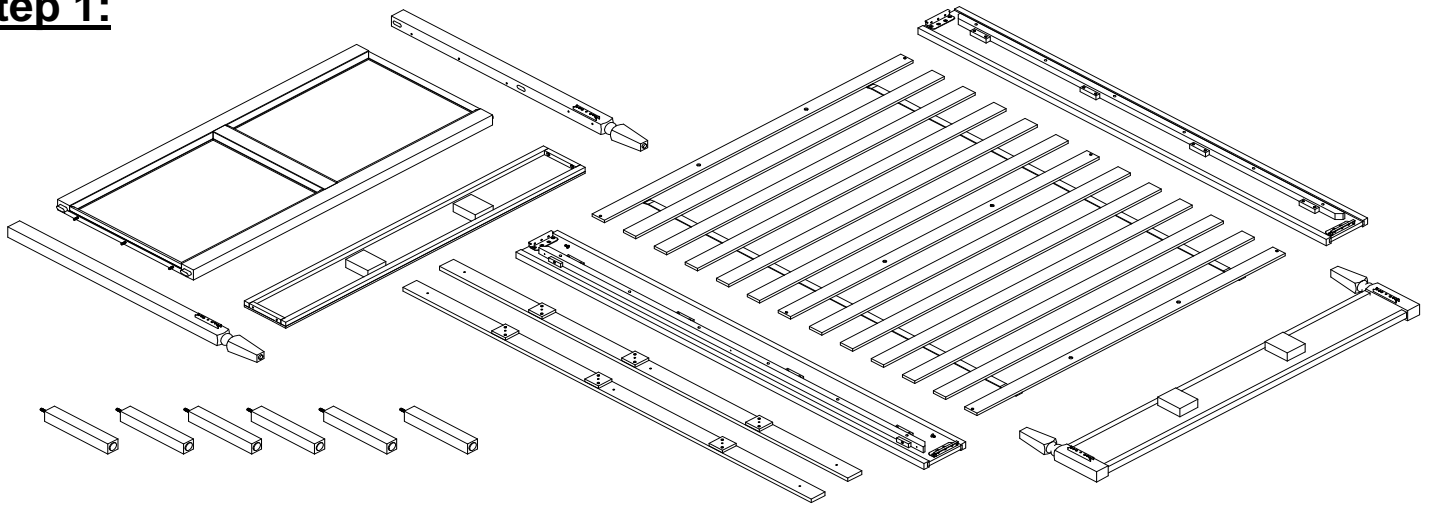
Assembly Steps

OVERVIEW



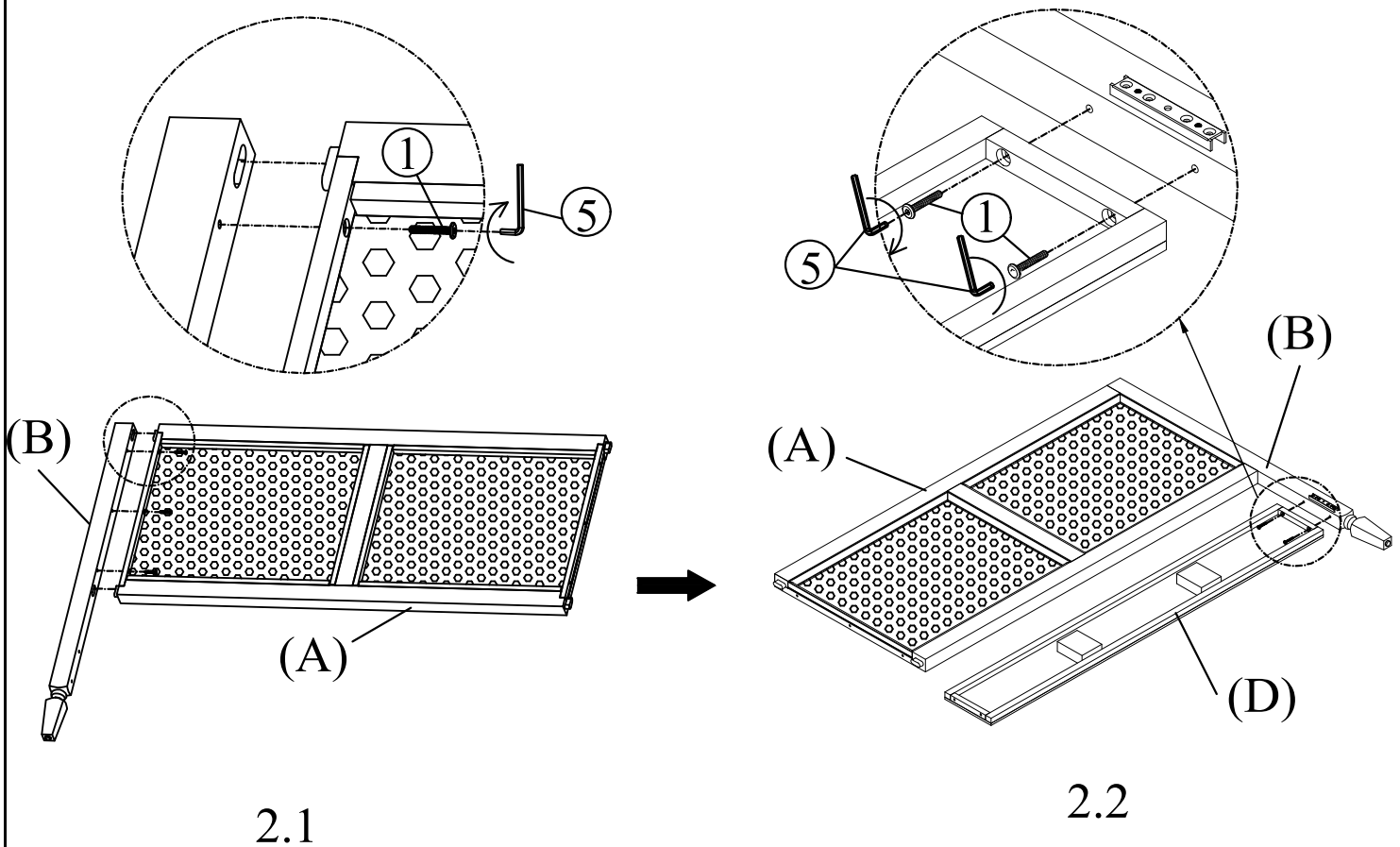
This Bed has multiple parts and may require up to some 45 minutes to assemble. To give you an overview of the Bed parts, the above picture is to help you put the various parts into perspective. Please read through the instructions below to familiarise yourself with the parts and steps before assembly.

Step 1:



Unpack and place all parts on a clean, non-marring surface.

Step 2:



With assistance from your adult partners, carefully place the Headboard (A) facedown on a clean, non-marring surface as shown above.

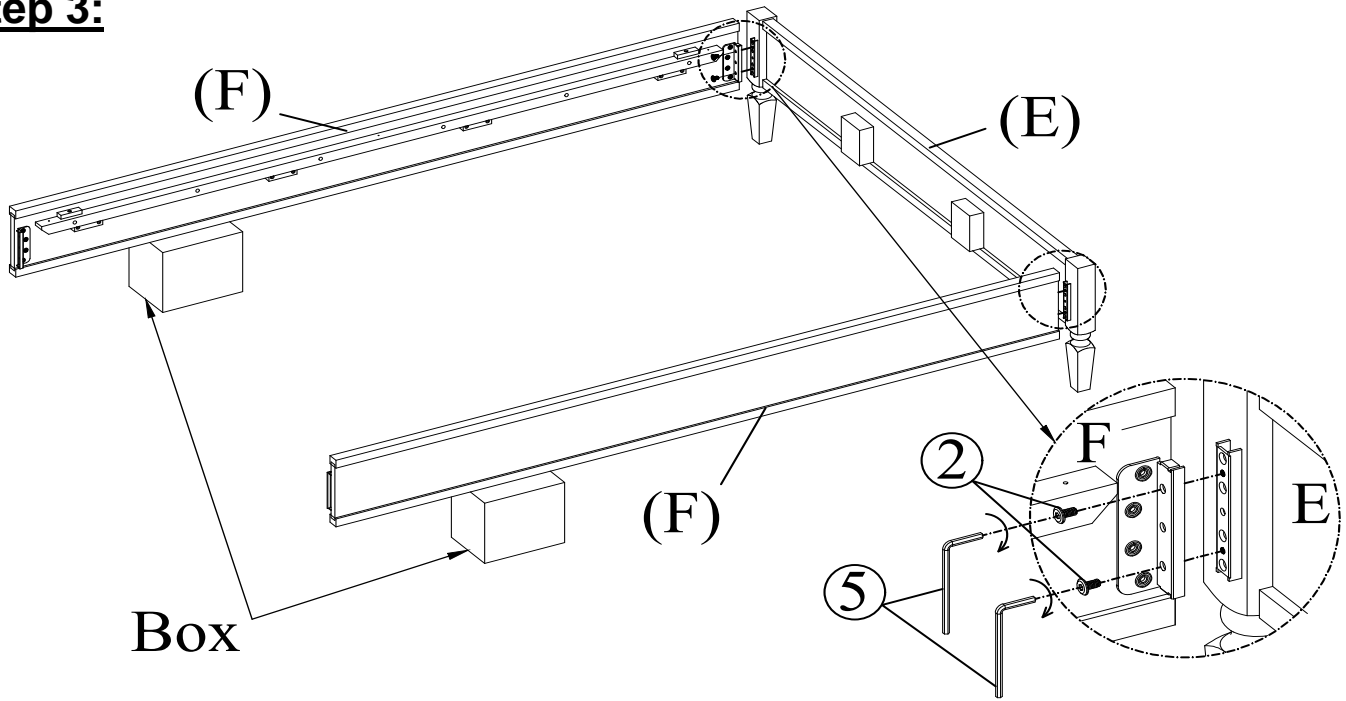
2.1 Attach the Right Leg (B) to the Headboard (A) using Bolts (1) and the Allen Wrench (5) as shown above.

2.2 Turn the assembled part in step 2.1 up side down, then attach the First Support Bar (D) to the Right Leg (B) using Bolts (1) and the Allen Wrenh (5) as shown above.

Repeat the same process with the Left Leg (C)

Fully tighten the Bolts at this stage.

Step 3:

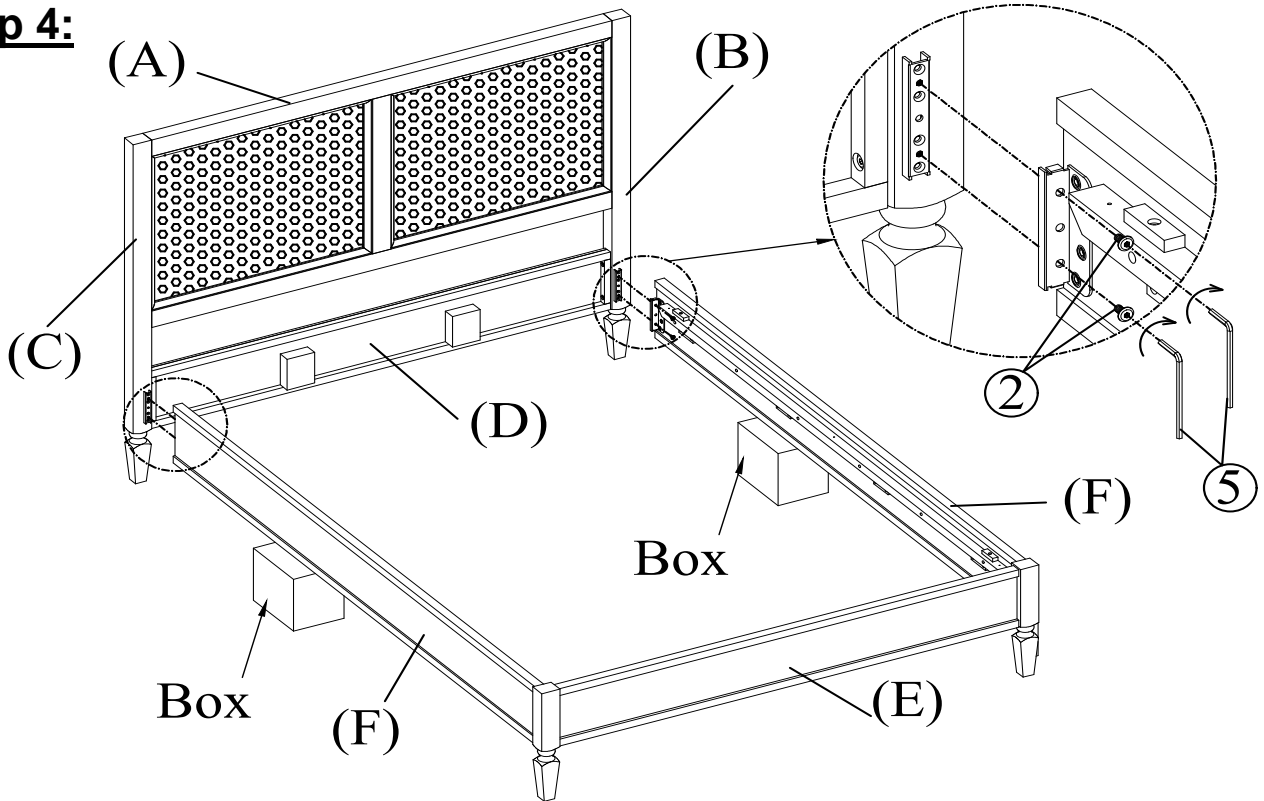


With the help of your adult partner, attach the Side Rail (F) to the Footboard (E) using Bolts (2) and Allen Wrench (5) as shown above.

Note: For ease of assembly, place a box or an object to prop up the Side Rail (F) as shown below.

DO NOT fully tighten the Bolts.

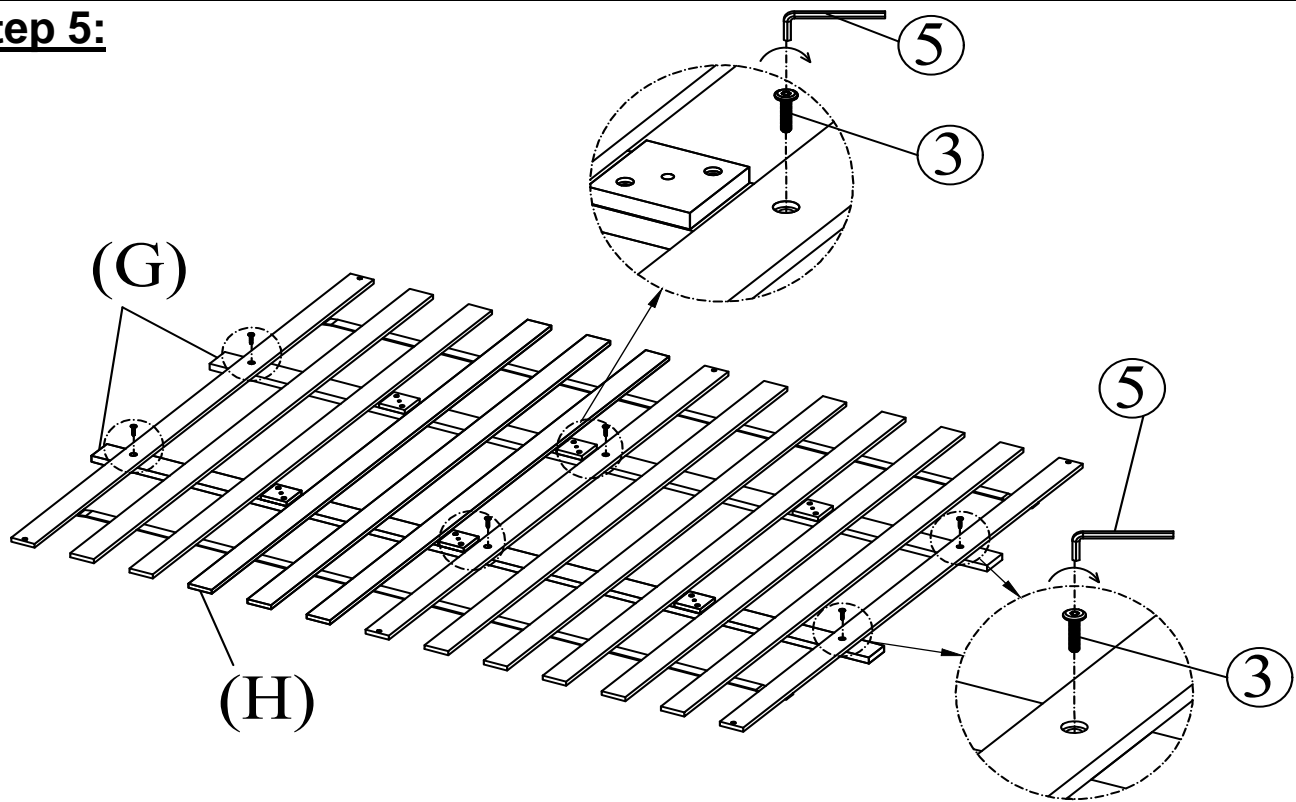
Step 4:



With the help of your adult partner, attach the assembled part in step 3 to the assembled part in step 2 using Bolts (2) and the Allen Wrench (5) as shown above.

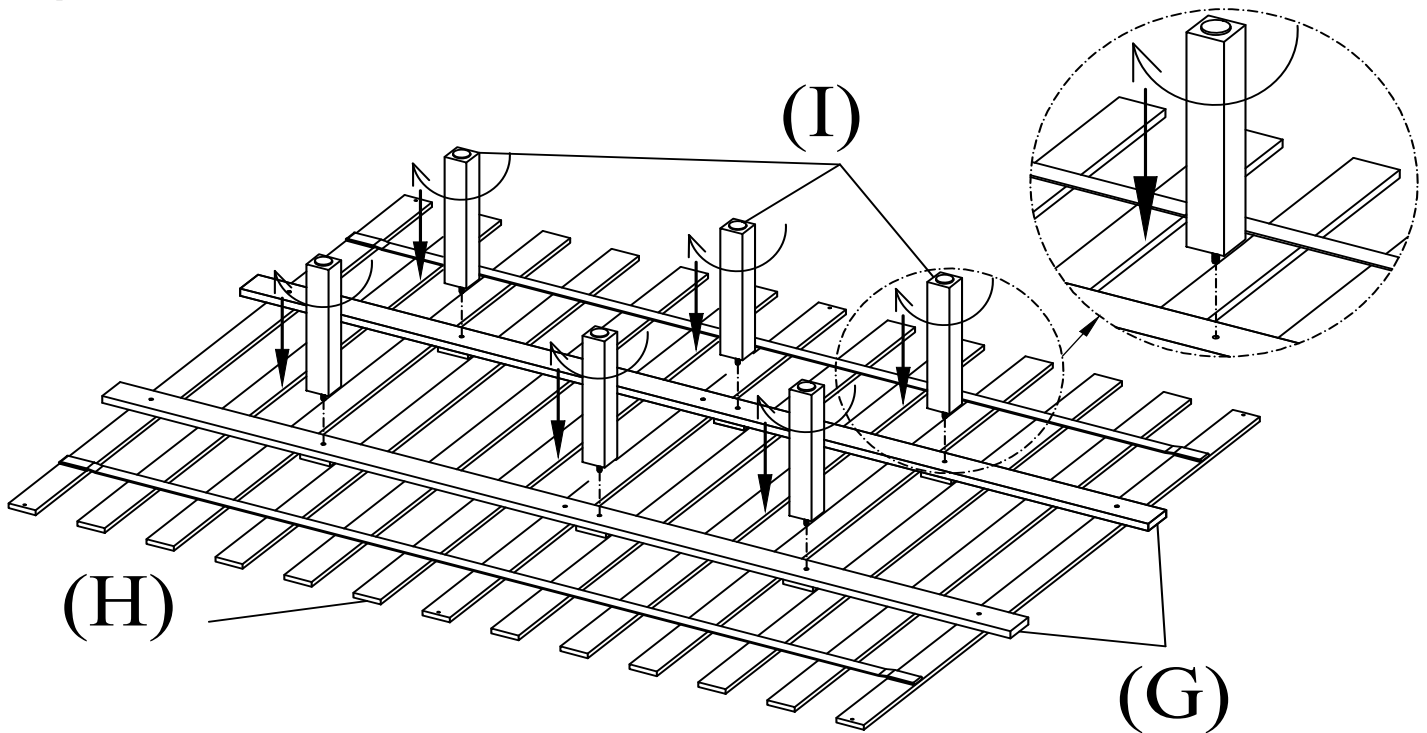
WARNING: Tighten all the Bolts before you proceed to the next step

Step 5:



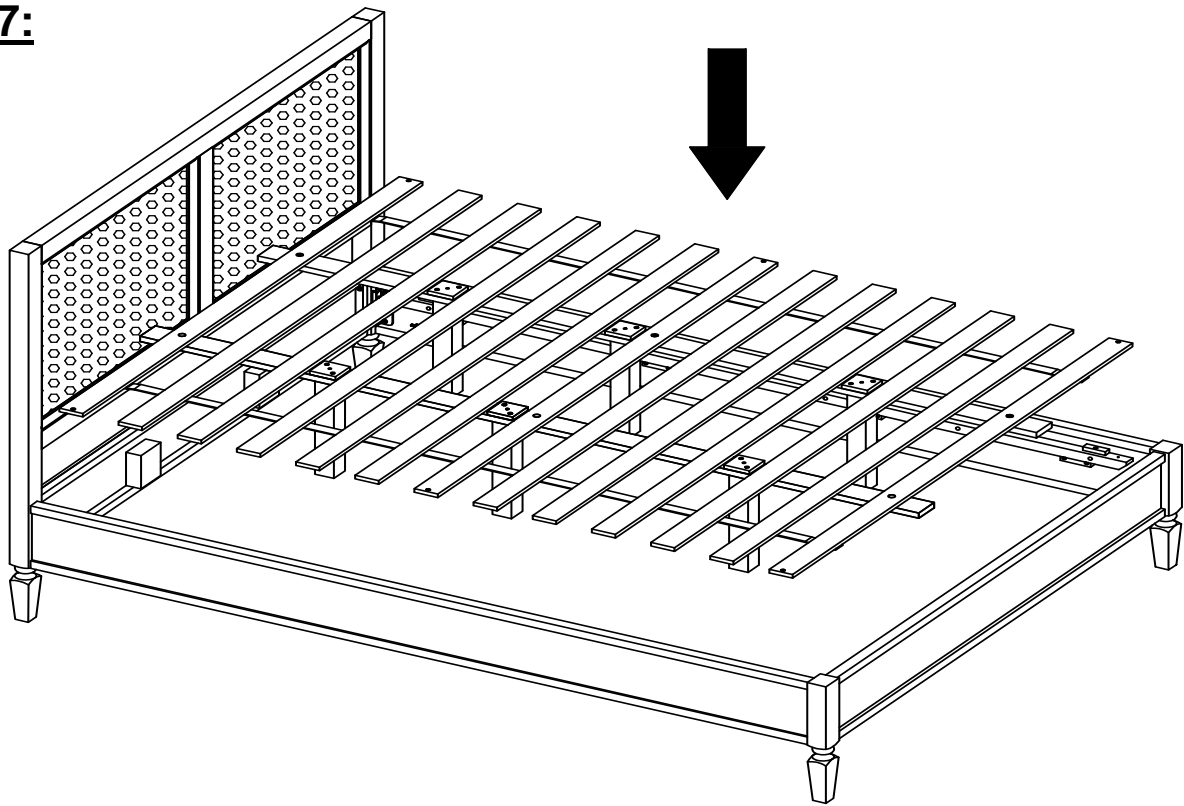
With the help of your adult partner, attach the Slat Frame (H) into the Second Support Bar (G) using Bolts (3) and the Allen Wrench (5) as shown above.
DO NOT fully tighten the Bolts.

Step 6:



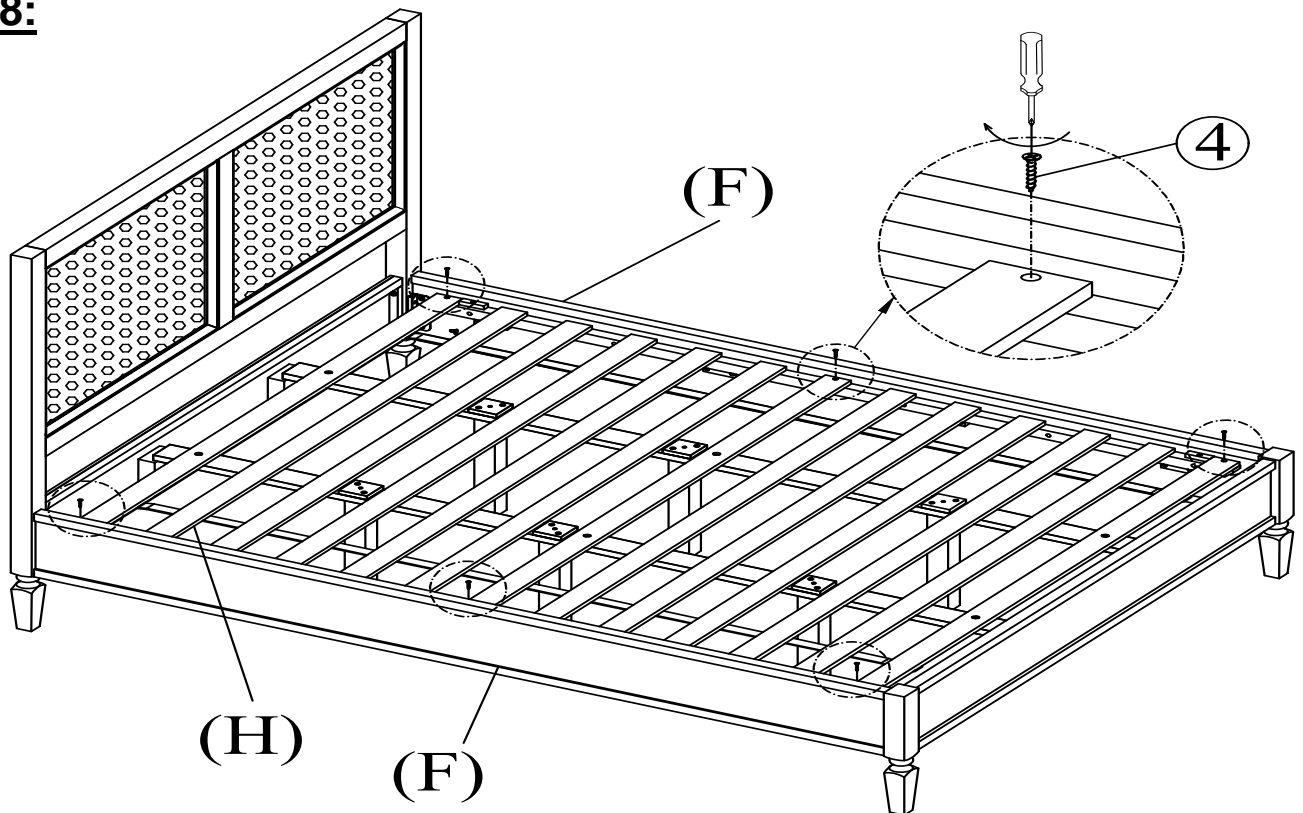
Turn the assembled parts in step 5 face down.
With the help of your adult partner, insert the Support Legs (I) into the assembled parts in step 5 as shown above.
DO NOT fully tighten the Bolts.

Step 7:



With the help of your adult partner, place the assembled parts in step 6 into the assembled parts in step 4.

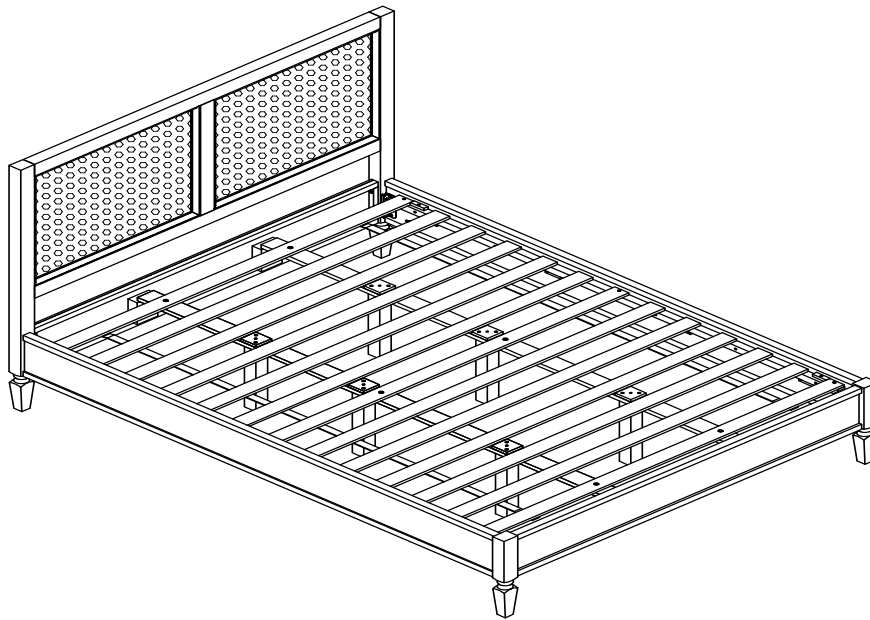
Step 8:



With the help of your adult partner, attach the Slat Frame (H) to the Side Rail (F) using Screws (4) and a Screwdriver (not provided) as shown above.

DO NOT fully tighten the Bolts.

Step 9:



Check for wobbles.












In a sequential manner, gradually tighten all Bolts until evenly secured.

Inspect the Bed and make sure all parts are adequately connected.

Your Bed is ready for use.

This Bed can only be used on a flat, level surface.

Care & Maintenance

- ✓  Furniture may scratch floors. We recommend using furniture pads to protect your floors.
- ⊘  Do not put hot items directly on furniture surface.
- ⊘  Do not clean furniture with harsh cleansers or polish.
- ⊘  Do not place furniture under direct sunlight.
- ⊘  Do not place furniture near heating or cooling vents.
- ⊘  Do not write on furniture without a padded barrier to protect the surface.
- ⊘  Do not place furniture outside . For indoor use only.
- ⊘  Not for commercial use. For residential use only.
- ⊘  Stains may be removed with mild soap solution and damp cloth.
- ⊘  Children should not climb or jump on the furniture.
- ✓  Dust and pick-up spills using a clean, non-colored, lint-free cloth.