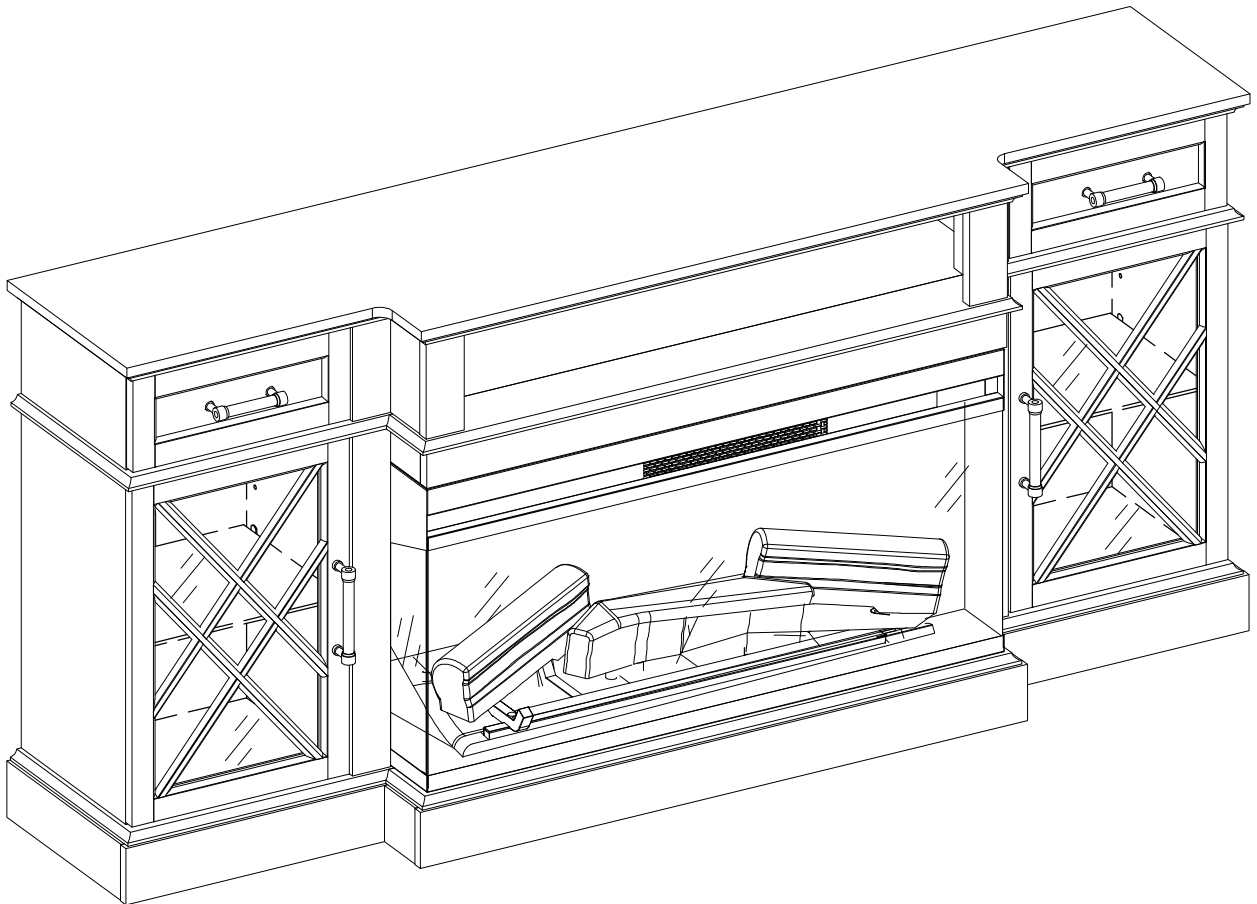
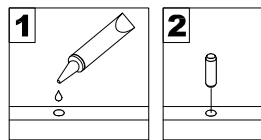


Assembly Instructions

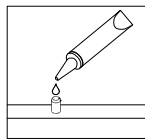


General Assembly Guidelines

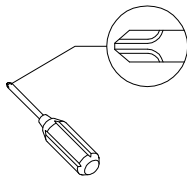
- I. Ensure that all parts and hardware are available before beginning assembly.
- II. Follow each step carefully to ensure the proper assembly of this product.
- III. Two people are recommended for ease in the assembly of this product.
- IV. The three main types of hardware used to assemble this product are : wood dowels , screws and bolts.
- V. The provided glue is to secure wood dowels in place . When first inserting dowels , locate the appropriate hole for the dowel , place a small amount of glue in the hole and insert the dowel . Wipe away excess glue immediately.



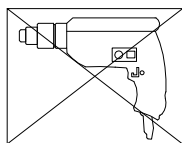
In future assembly steps when dowels are necessary to attach assembly parts together , place a small amount of glue on the end of the dowel before attaching parts together . Wipe away excess glue immediately.



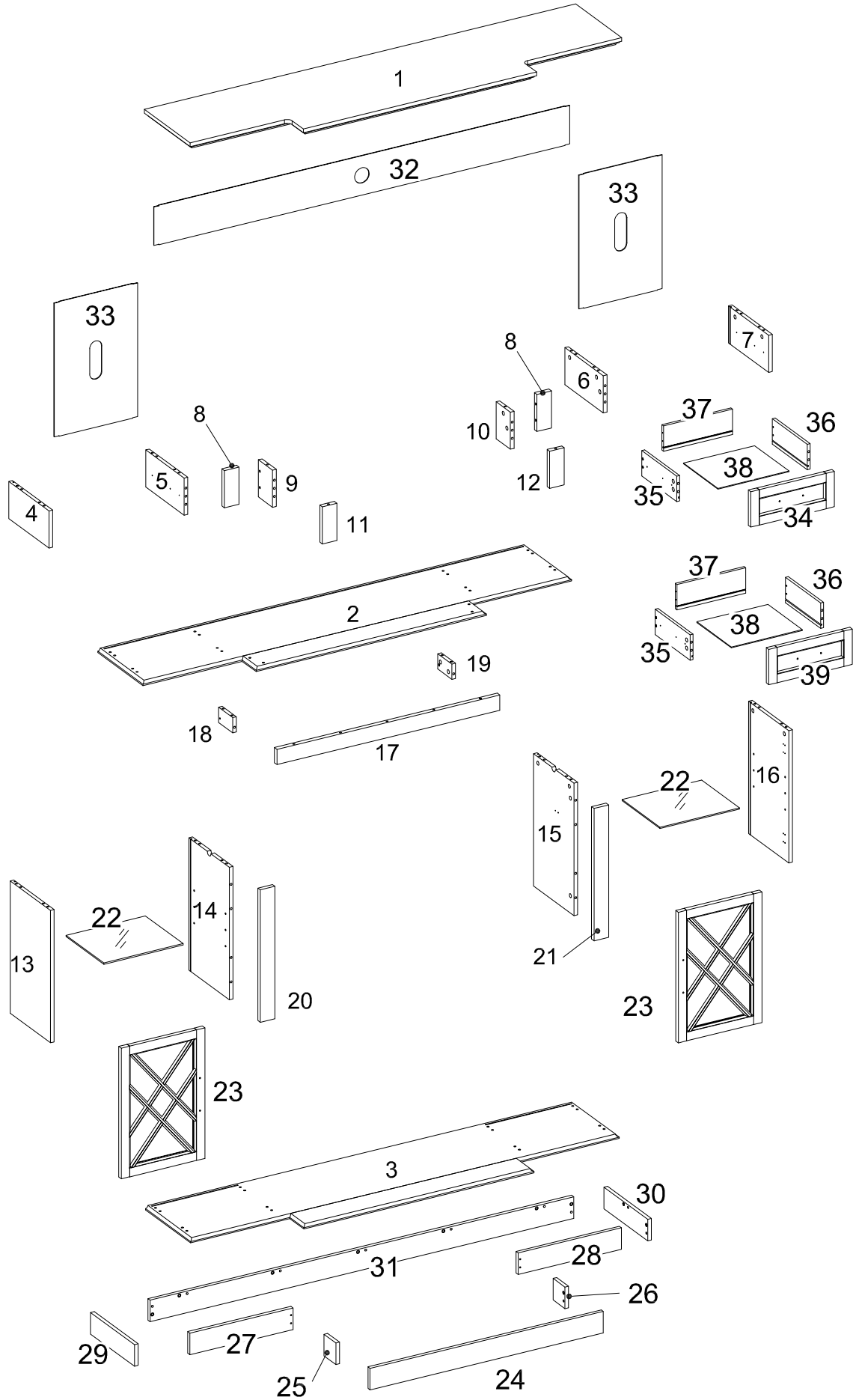
- VI. A Phillips head screwdriver is required for the assembly of this product .




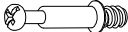
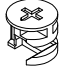


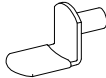


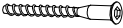
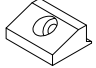


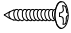

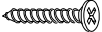
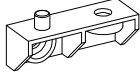
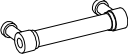





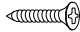
- VII. Power tools should not be used to assemble this product .



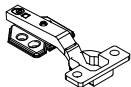
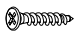


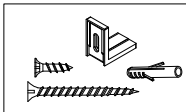

Parts List

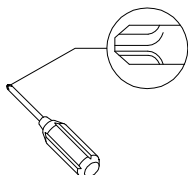


Hardware List

A		Ø8x30mm	Wood dowel	54 pcs
B		Ø6x35mm	Cam bolt	39 pcs
C		Ø15x11mm	Cam lock	31 pcs
D			Sticker	39 pcs
E		Ø15x9.5mm	Cam lock	8 pcs
F			Shelf support pin	8 pcs
G		Ø6x13mm	Bolt	40 pcs
H			Glue	1 pcs
I		Ø6x50mm	Screw	20 pcs
J			Plastic wedge	16 pcs
K		Ø3x17mm	Flat-head screw	16 pcs
L		M 4	Hex key	1 pcs
M		Ø3x12mm	Screw	12 pcs
N				6 pcs
O		Ø4x38mm	Screw	14 pcs
P			Connector	20 pcs
Q			Handle	2 pcs
R		Ø4x12mm	Handle bolt	4 pcs
S			Handle	2 pcs
T			L shape bracket	2 pcs
U		Ø4x12mm	Screw	4 pcs
V		10"	Drawer slider	2 sets
W		Ø3.5x12mm	Screw	24 pcs

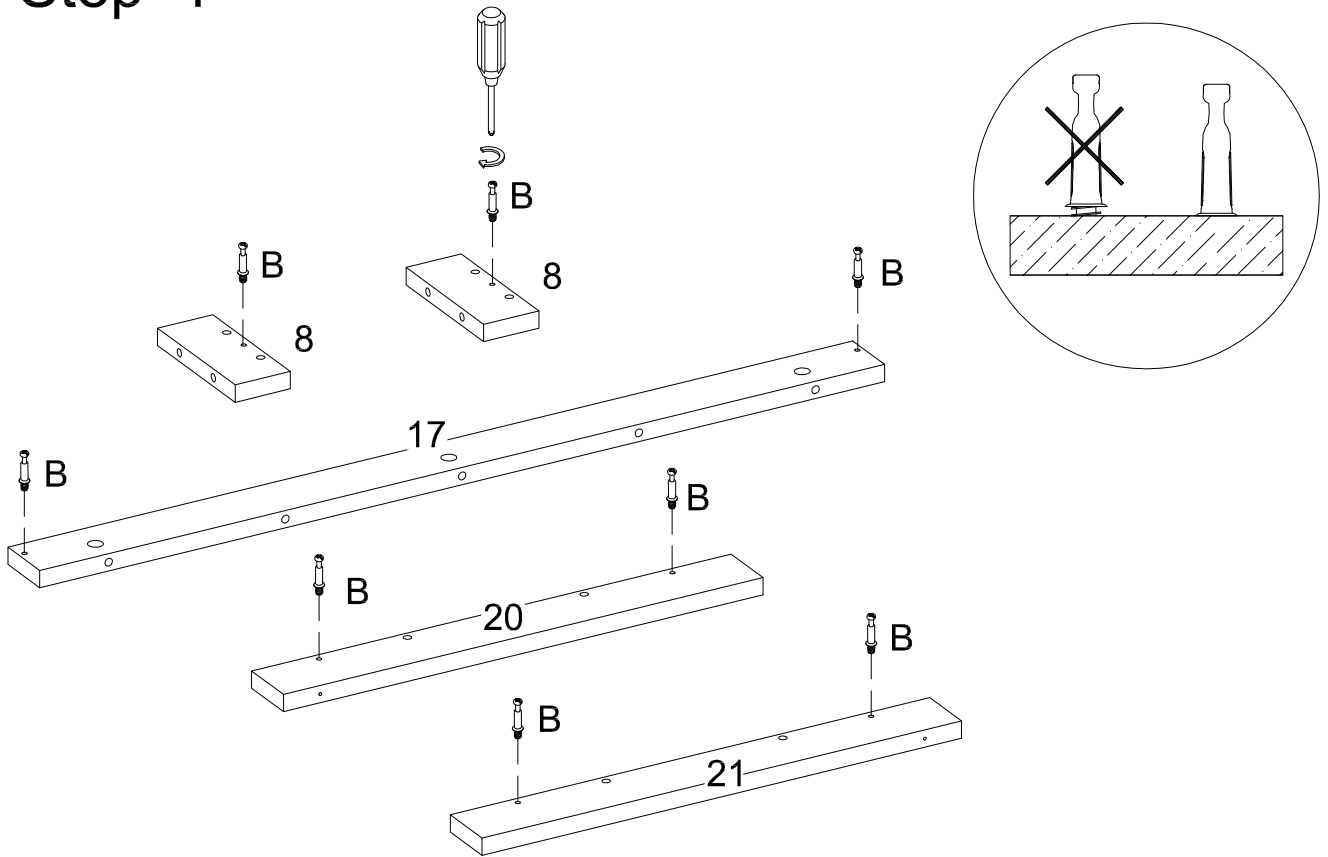
Hardware List

X		Ø26mm	Europe hinge	4 pcs
Y		Ø3.5x14mm	Hinge screw	24 pcs
Z		Ø4x25mm	Handle bolt	4 pcs
AA			Led strip light	2 PCS
BB			Tipping Restraint Hardware	2 sets
CC		3622-L-D7	Fireplace Insert	1 pcs

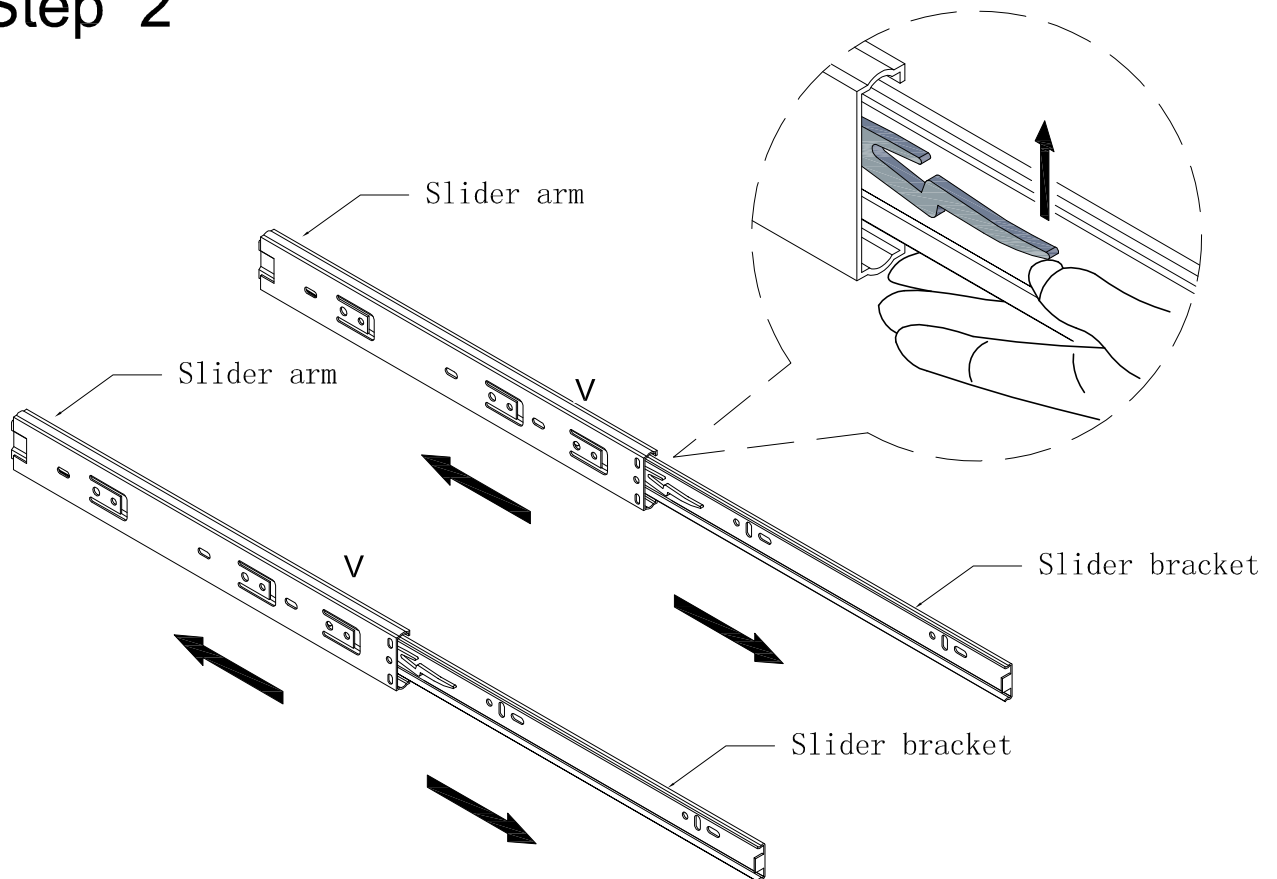


Philips head screwdriver required for assembly
(not included)

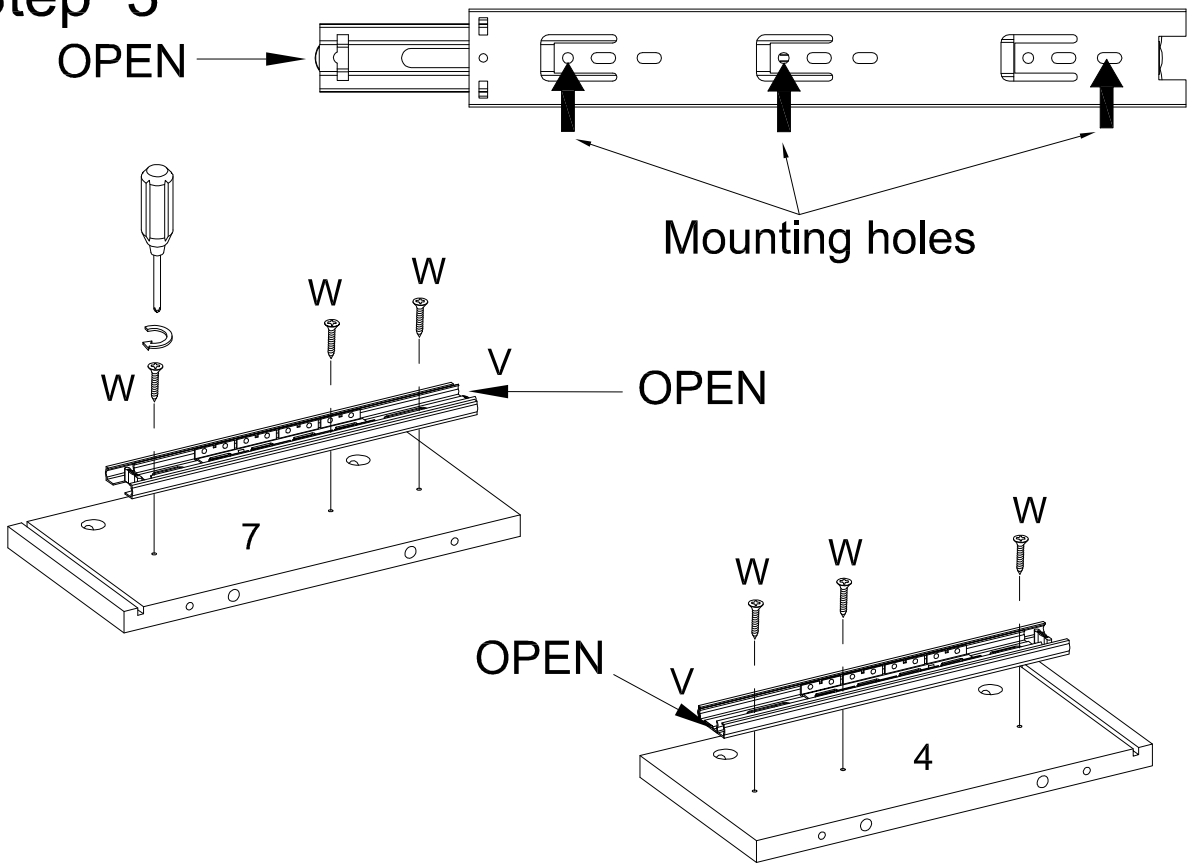
Step 1



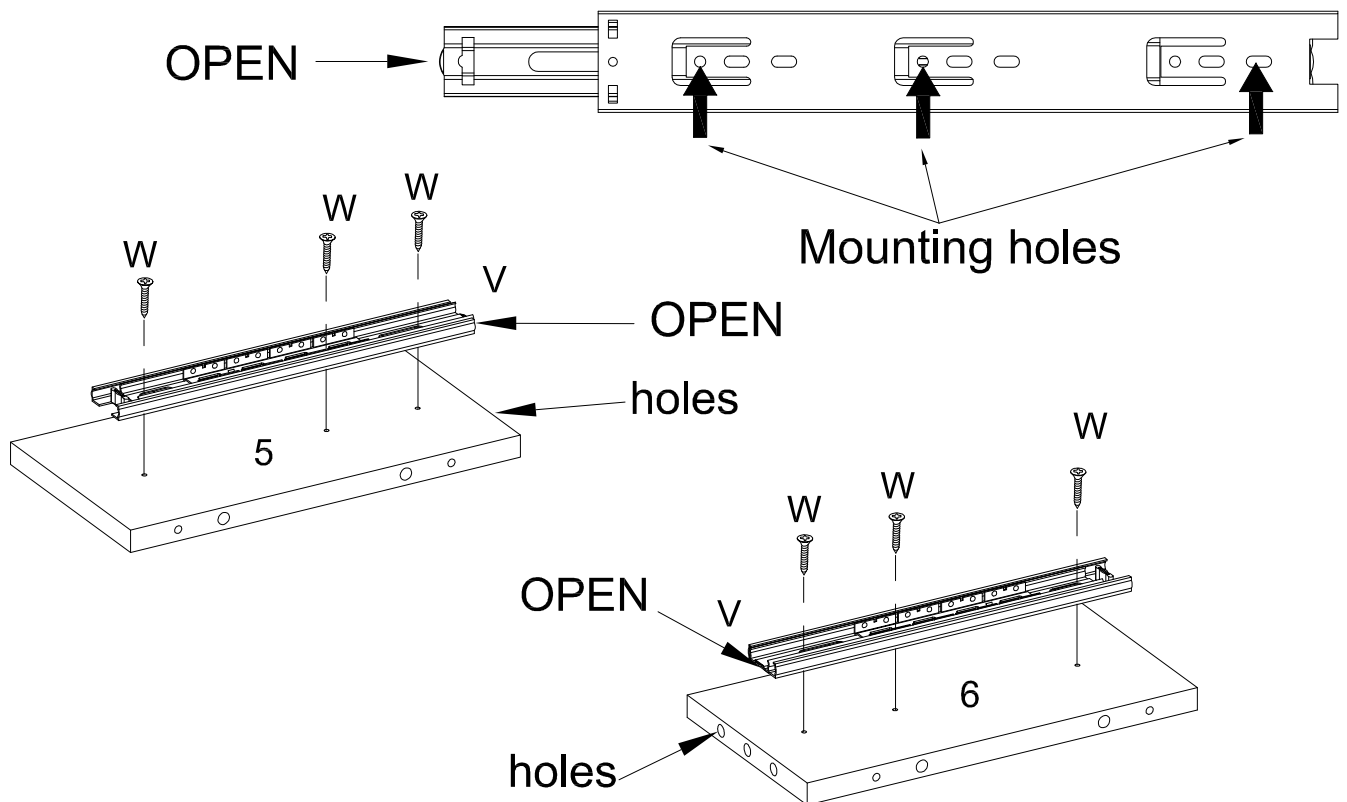
Step 2



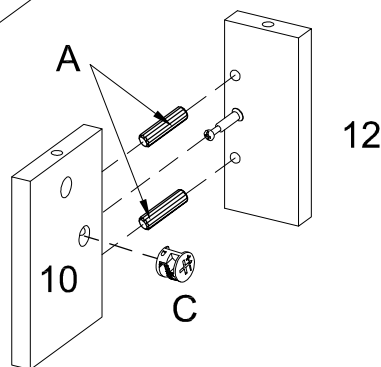
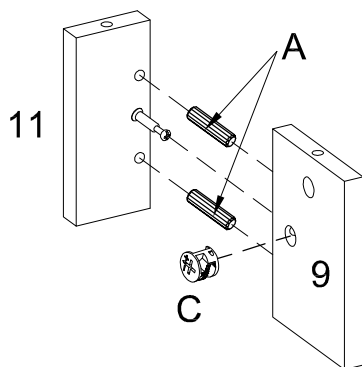
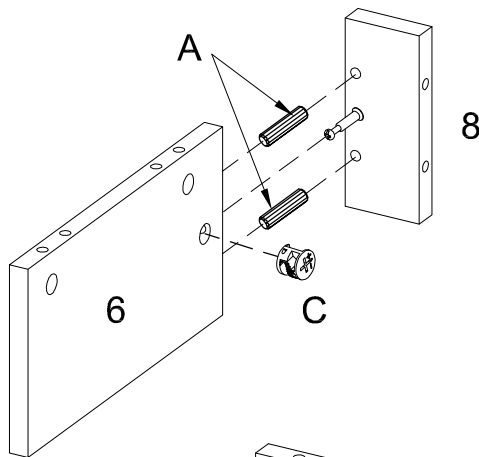
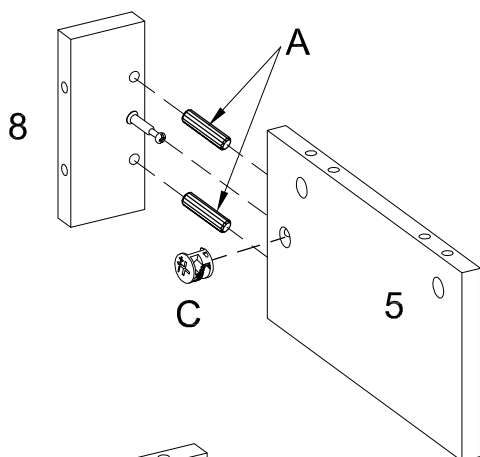
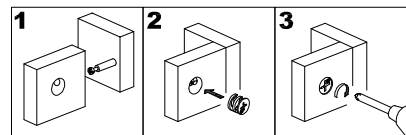
Step 3



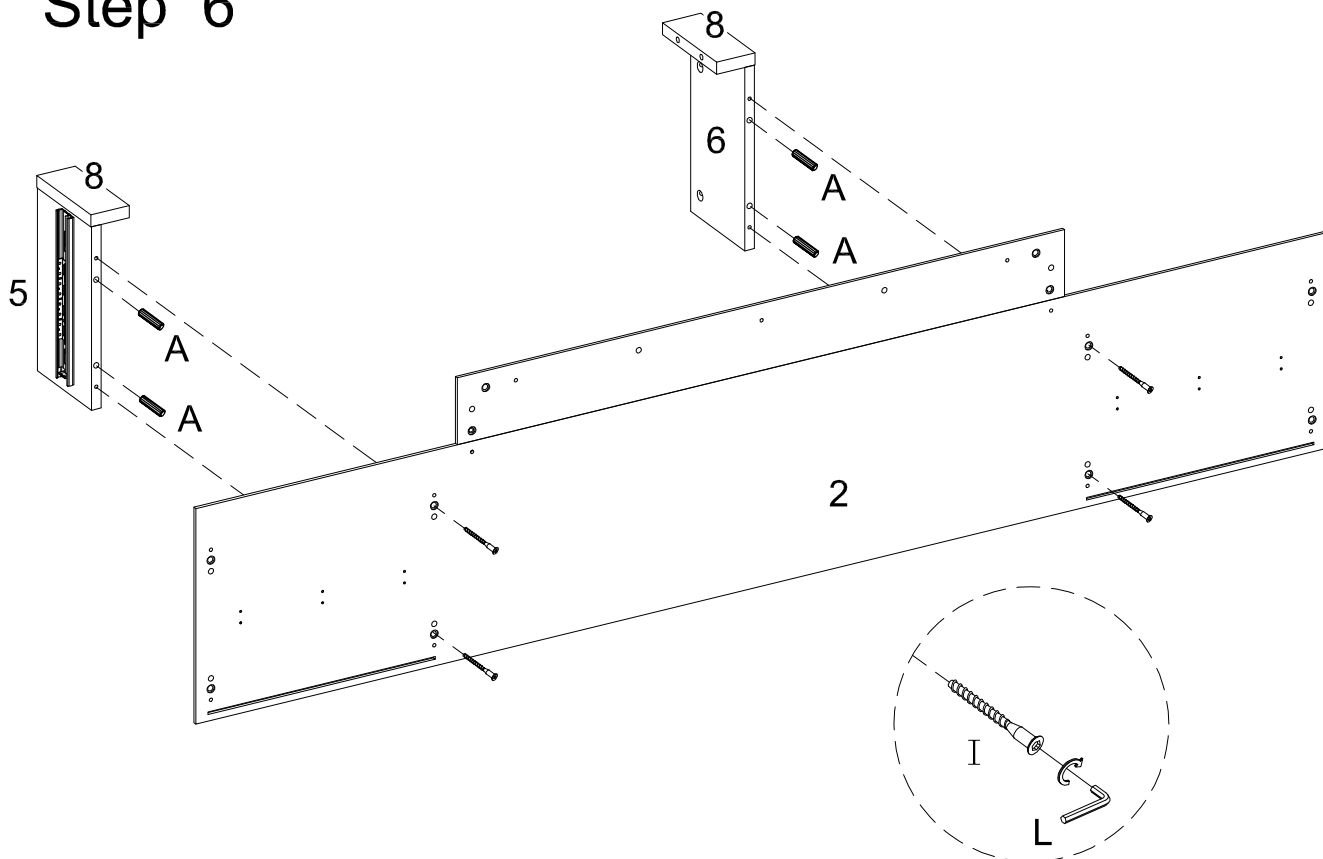
Step 4



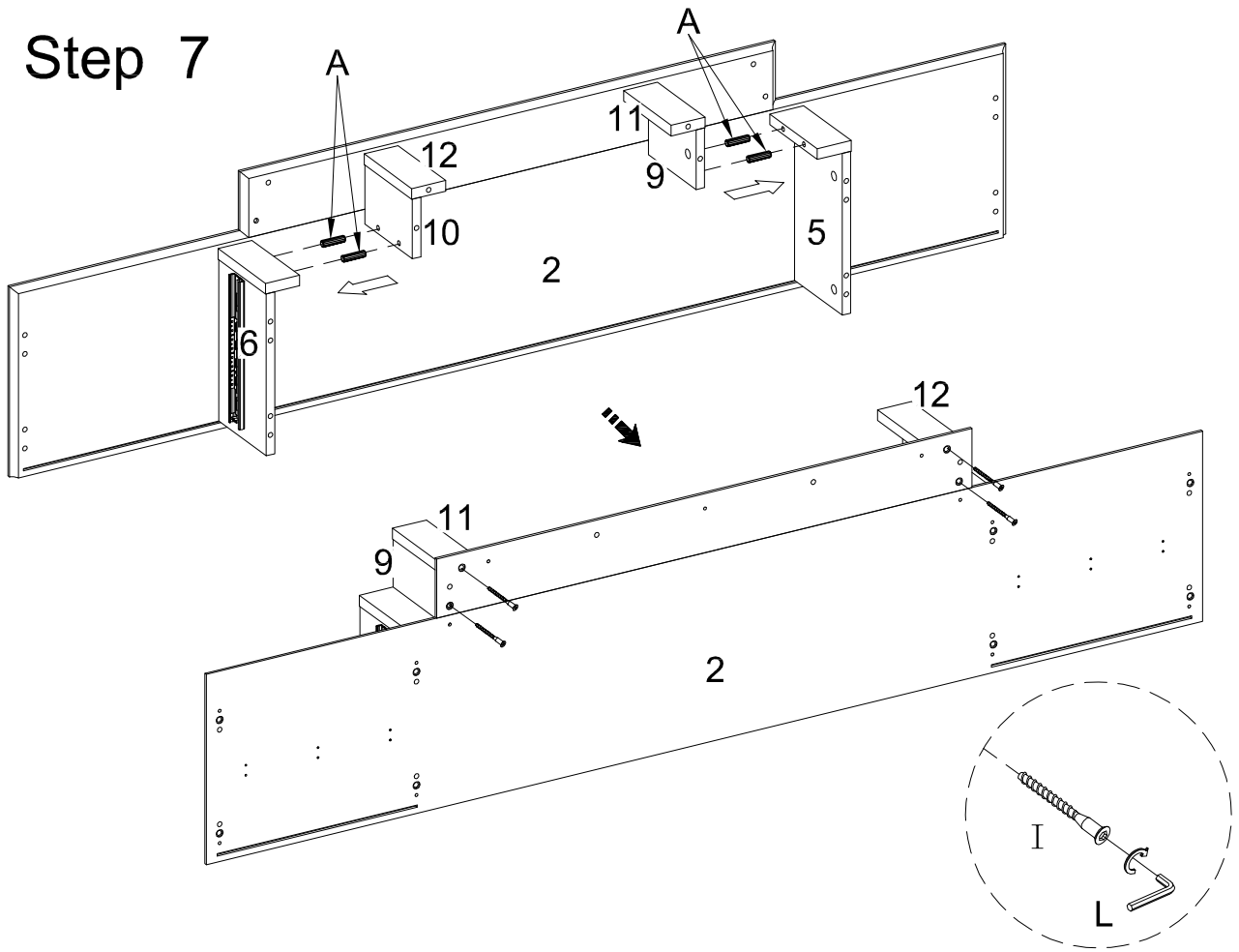
Step 5



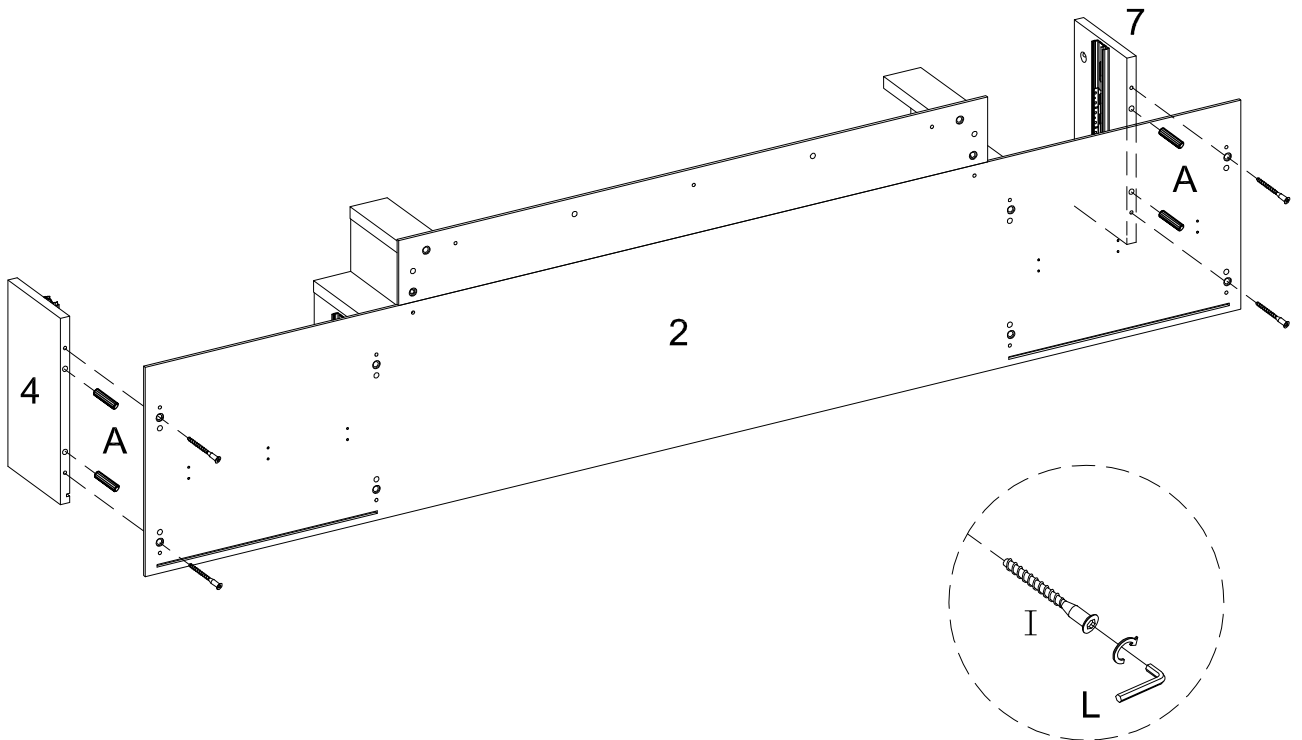
Step 6



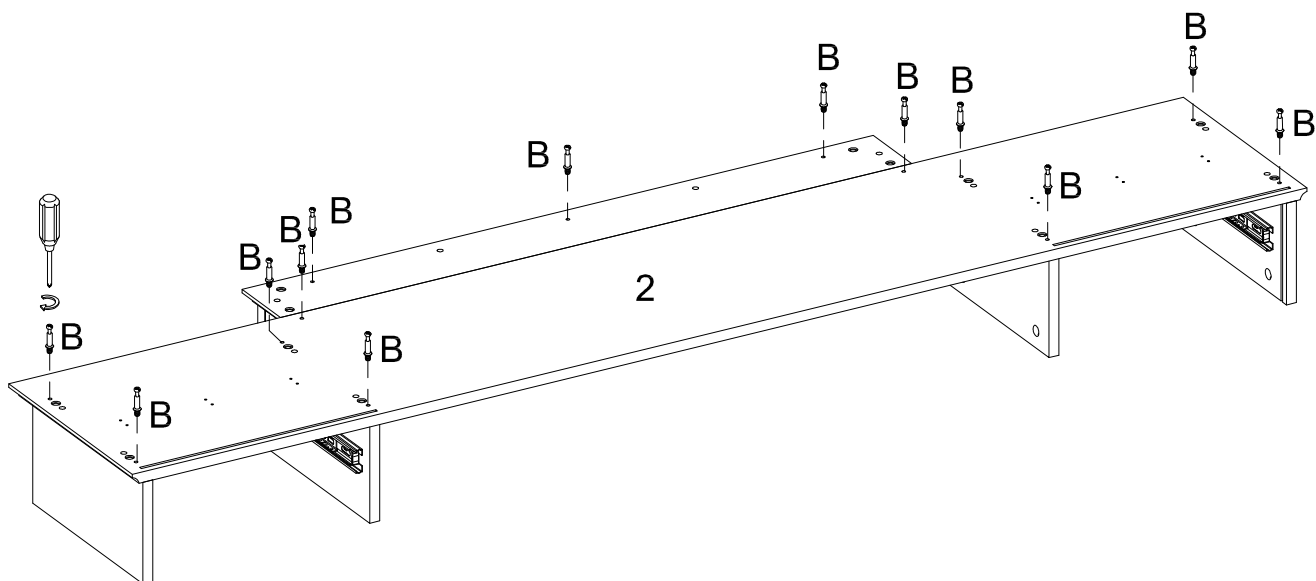
Step 7



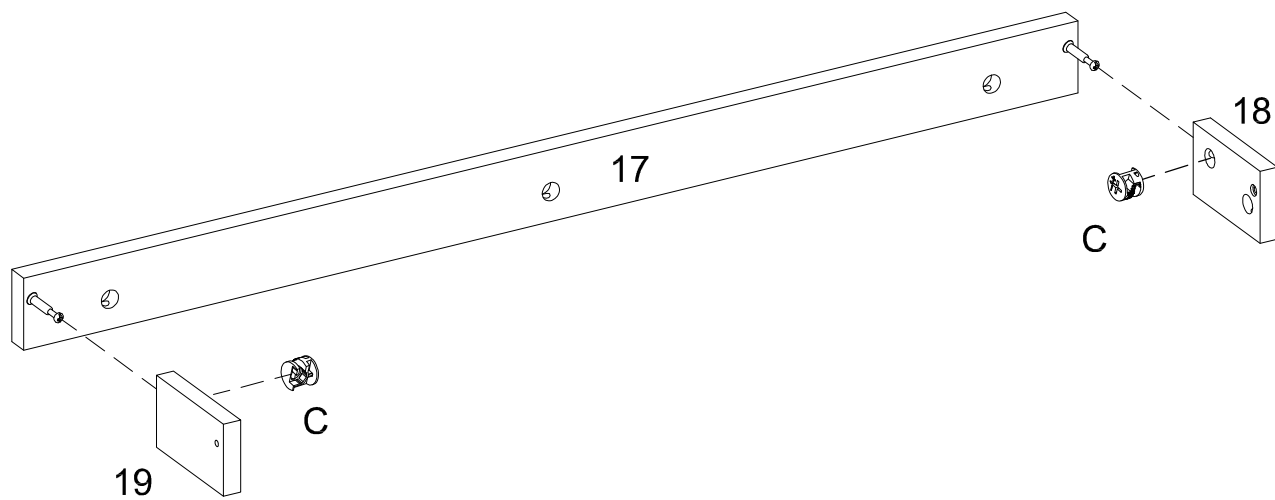
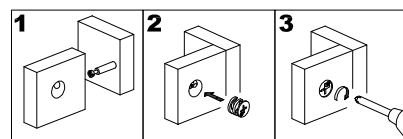
Step 8



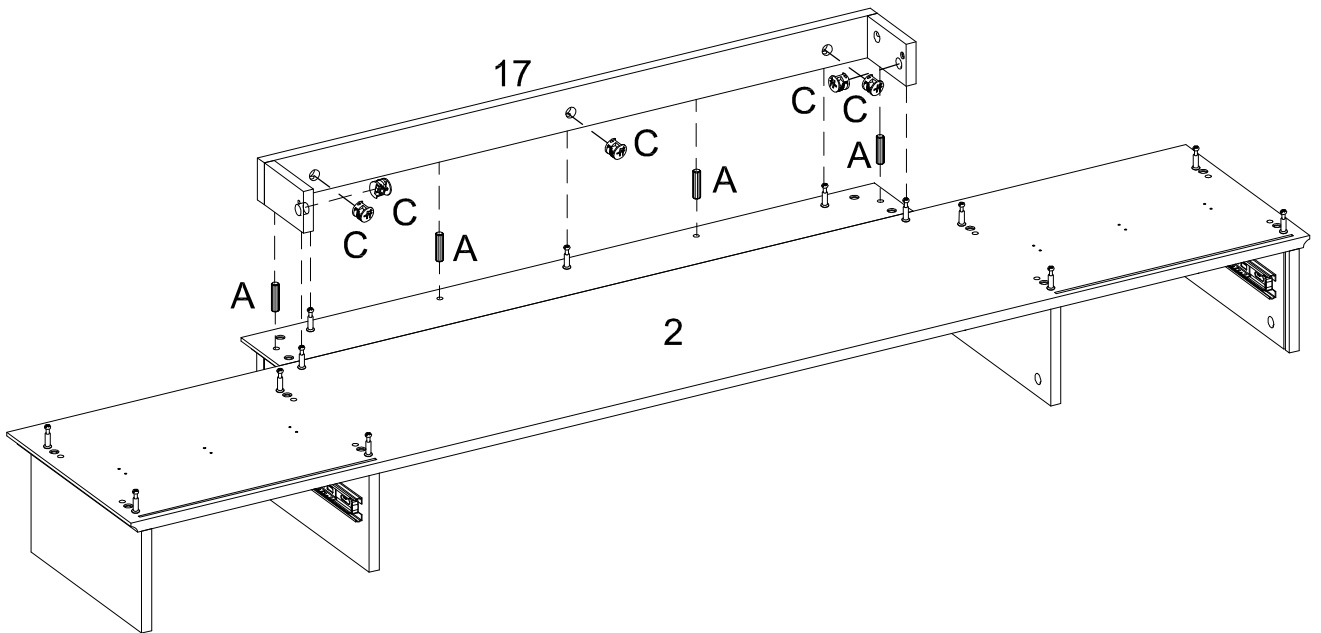
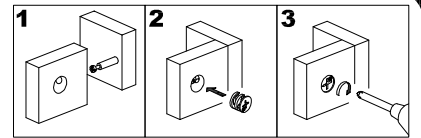
Step 9



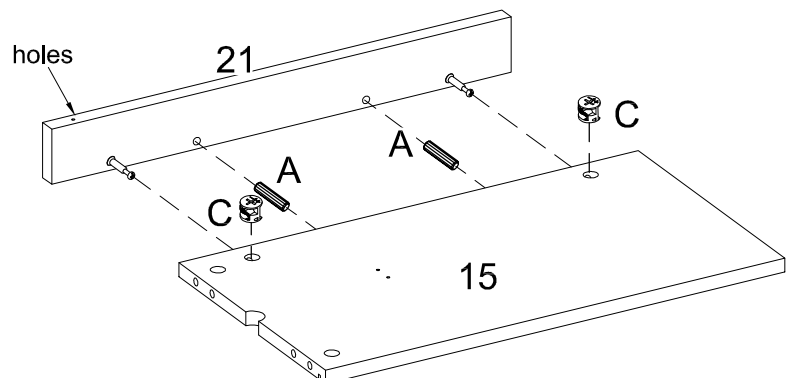
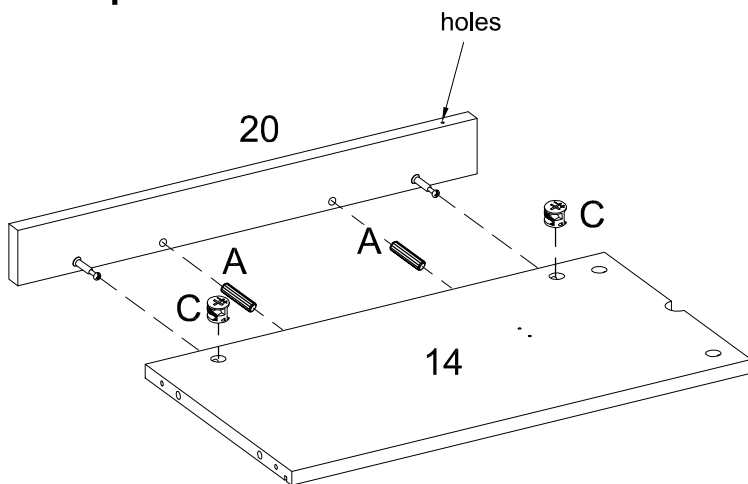
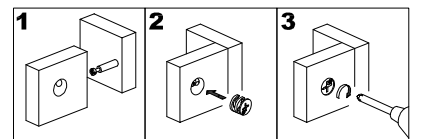
Step 10



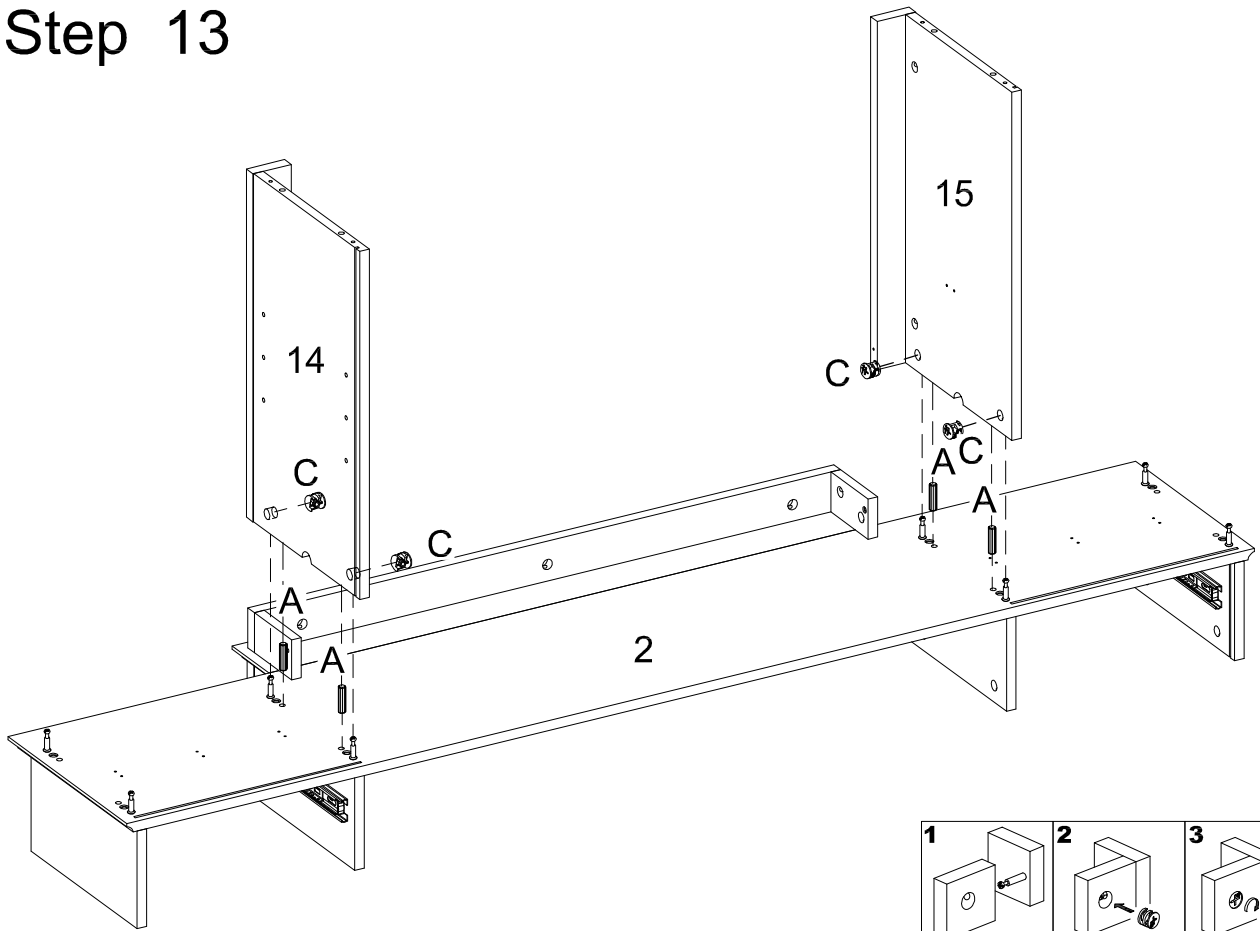
Step 11



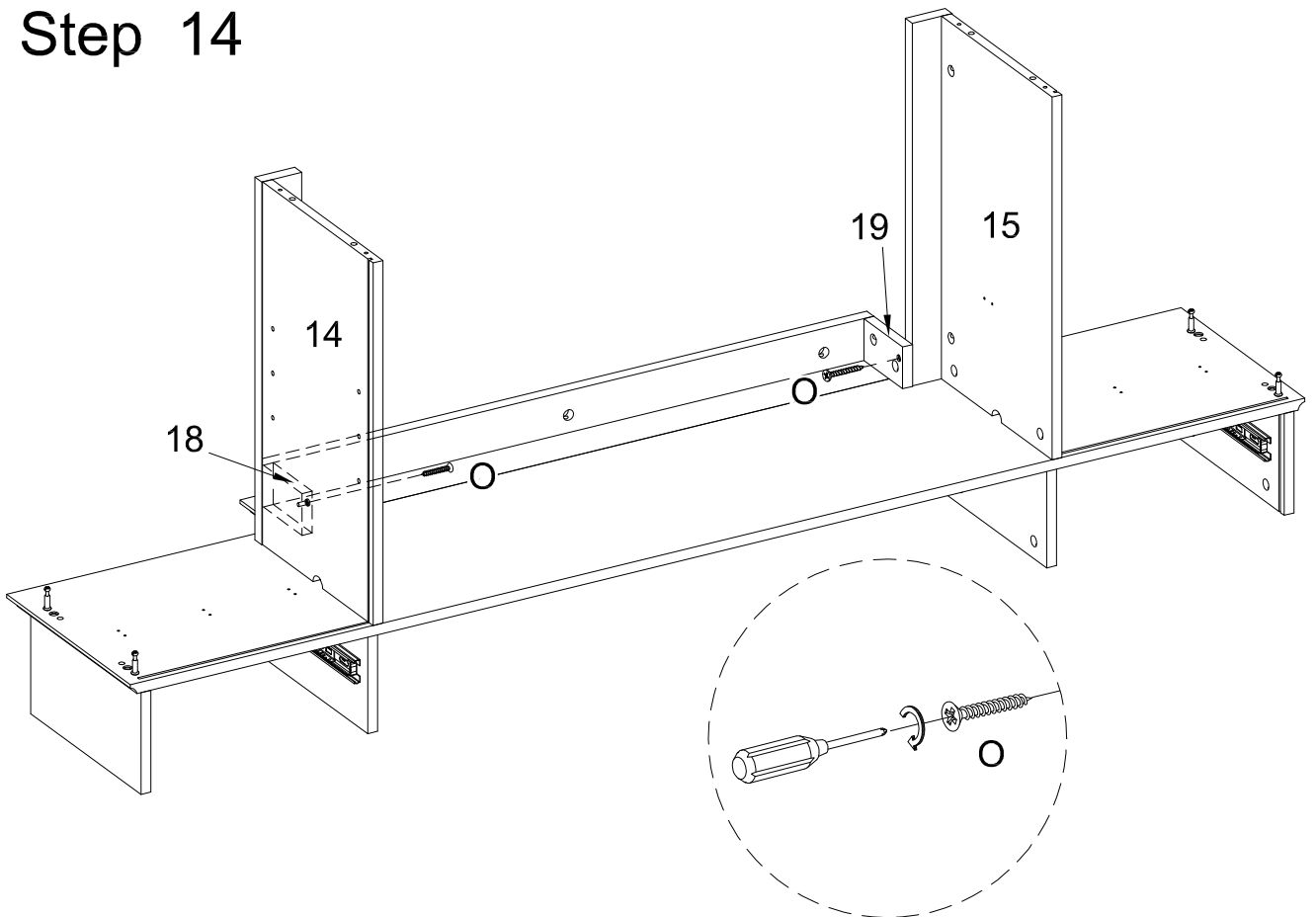
Step 12



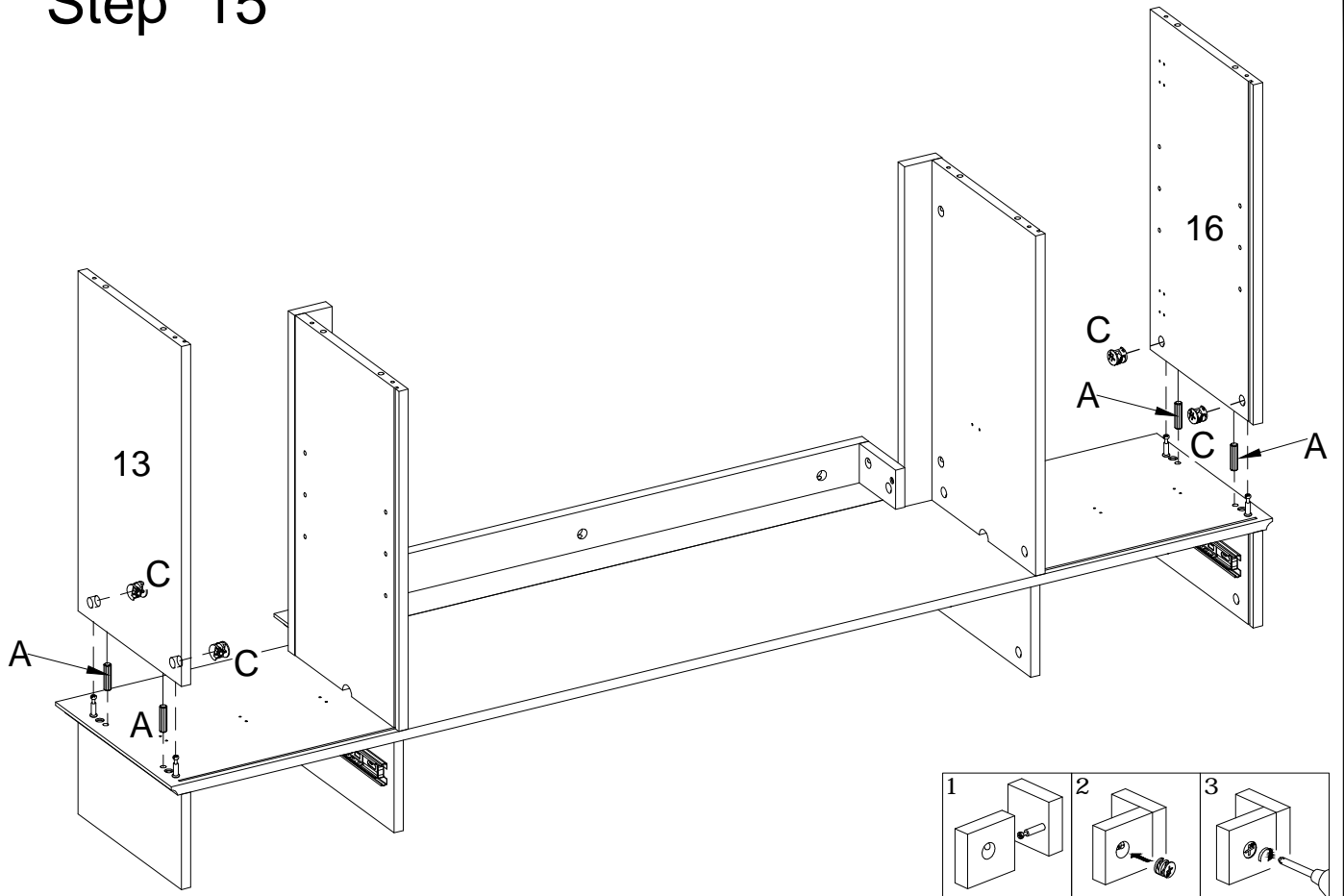
Step 13



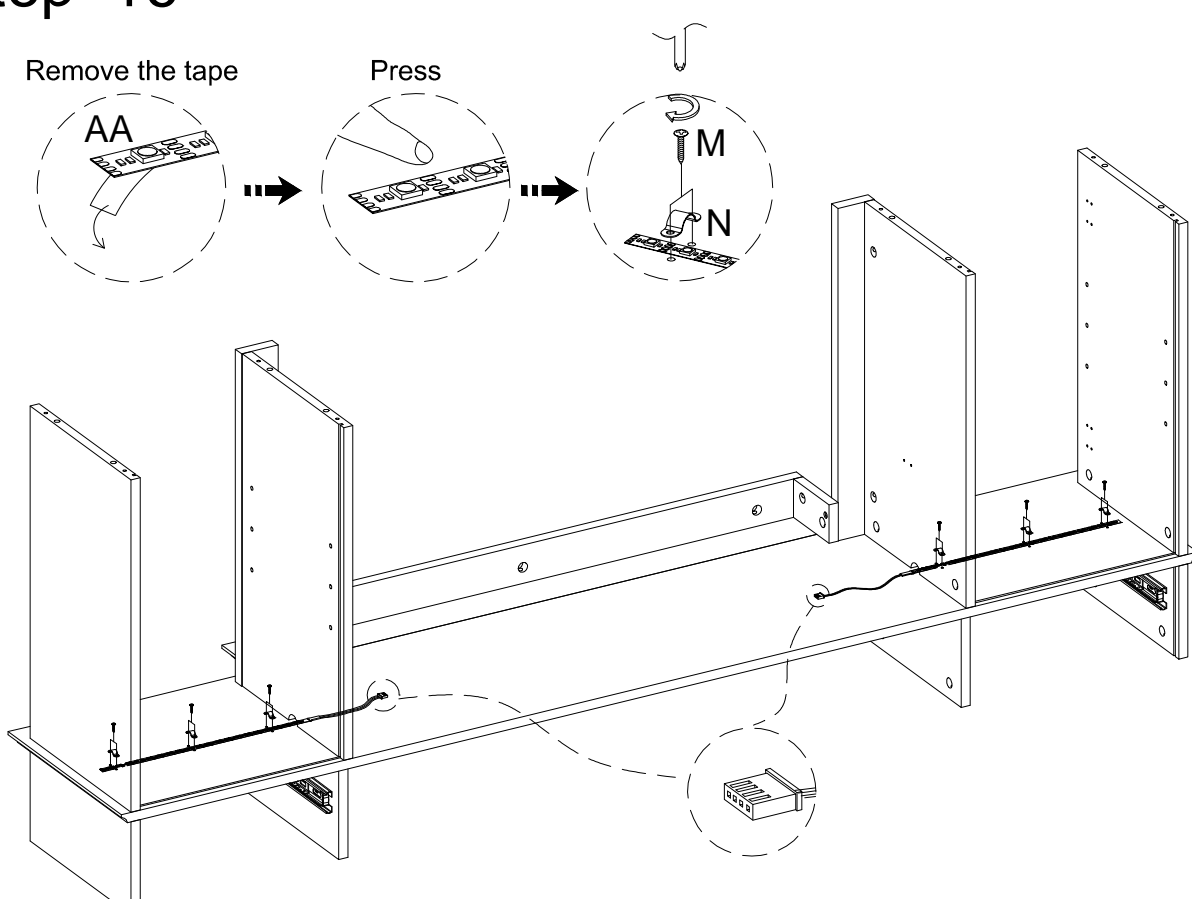
Step 14



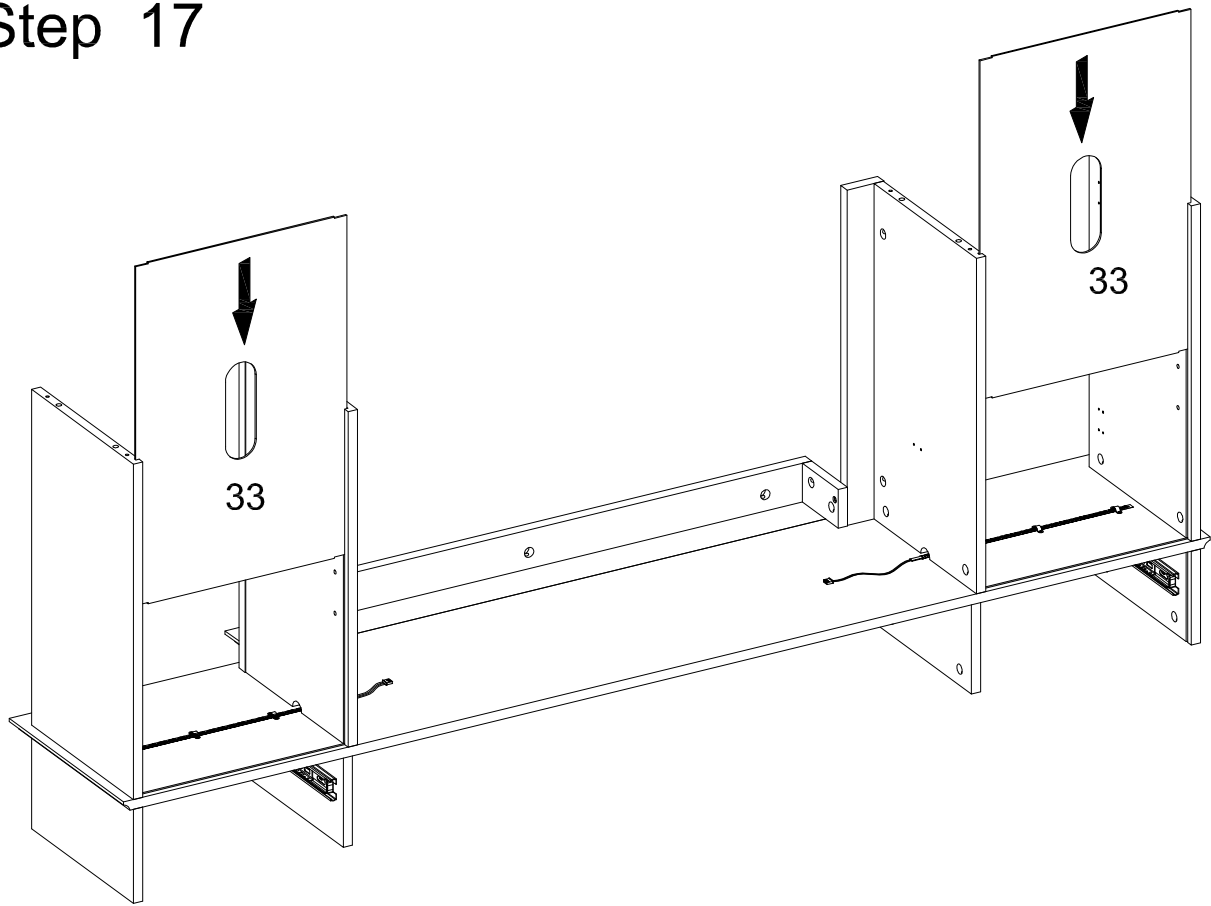
Step 15



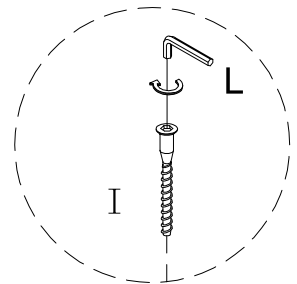
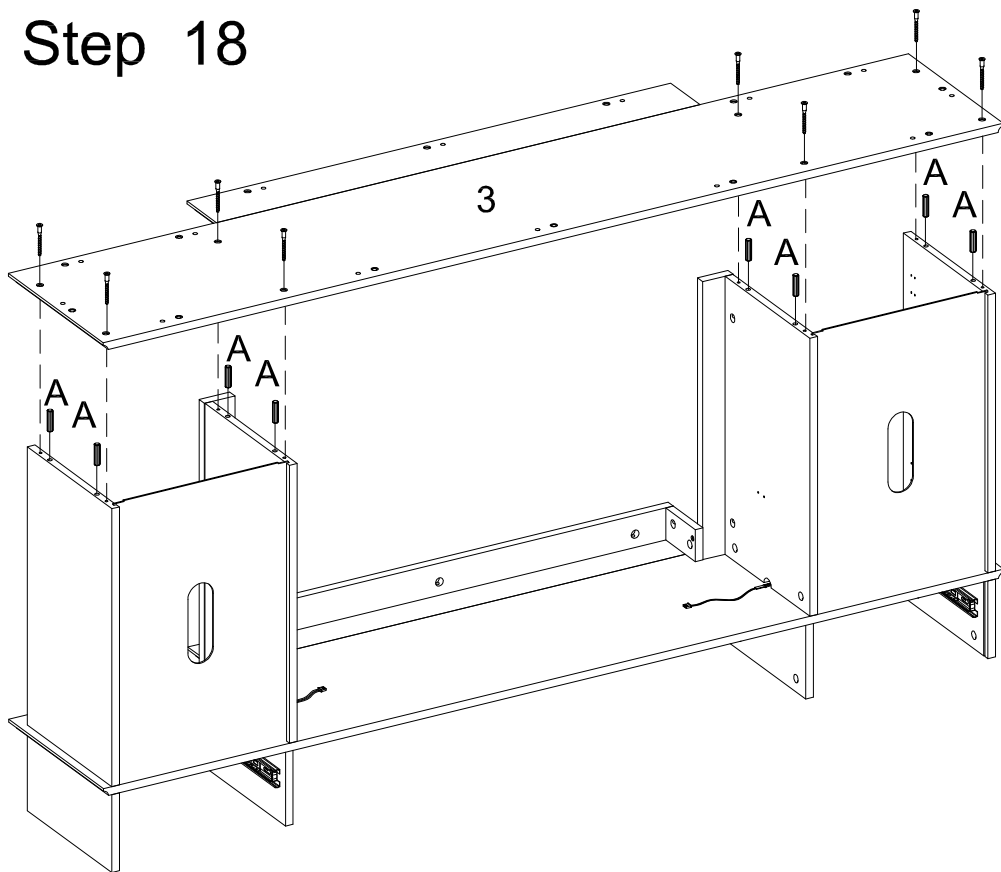
Step 16



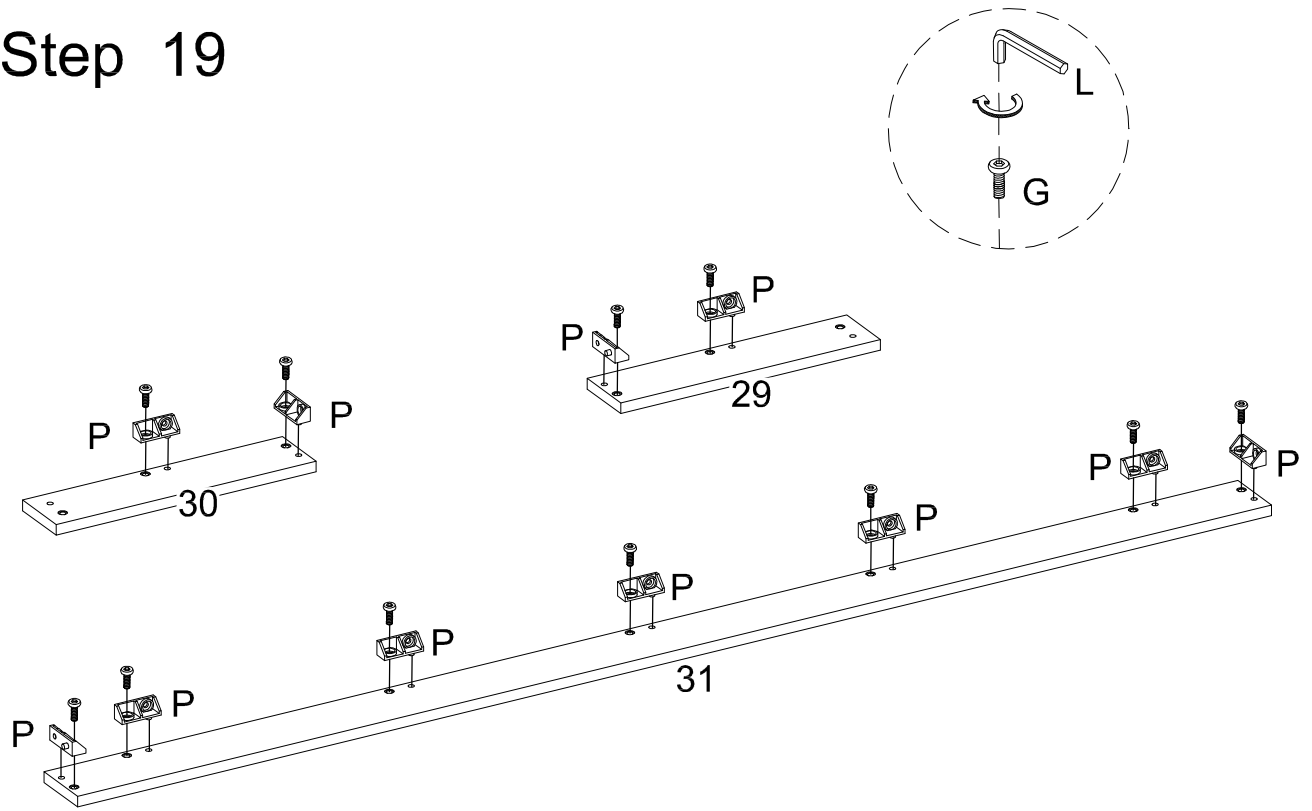
Step 17



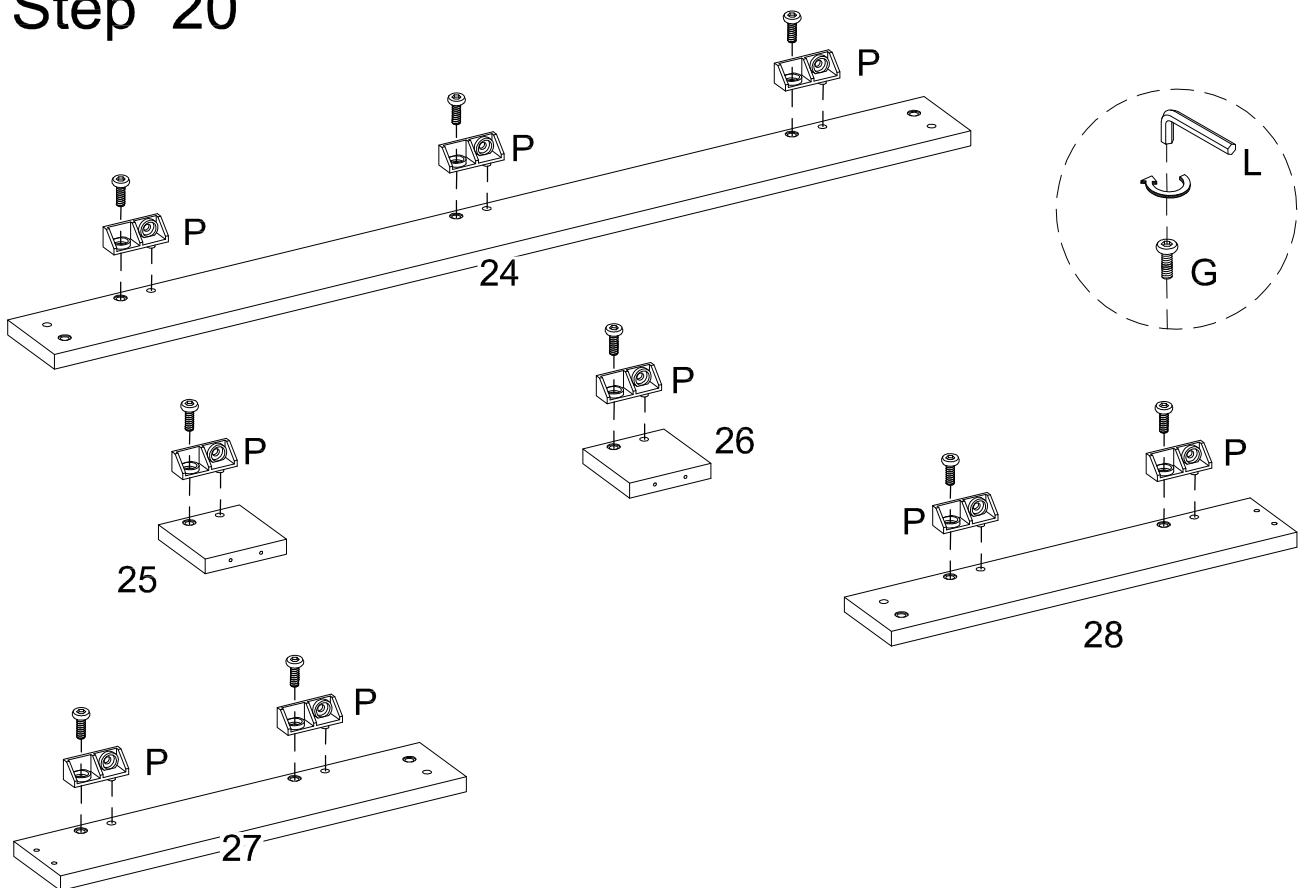
Step 18



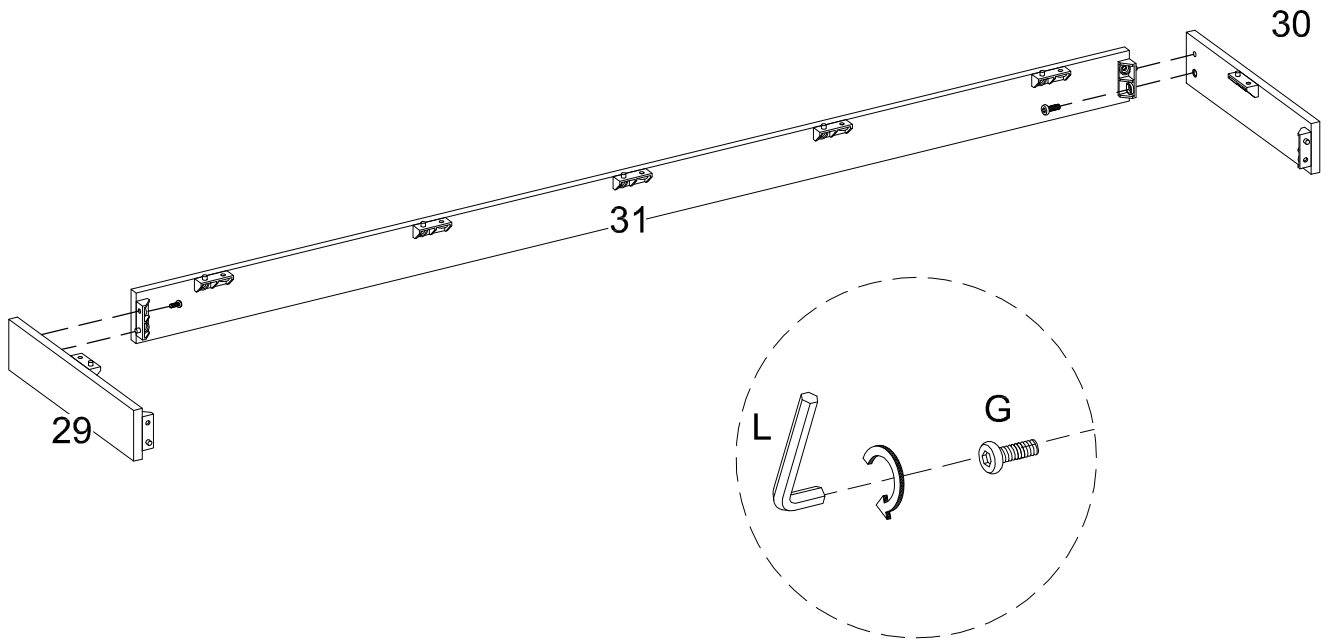
Step 19



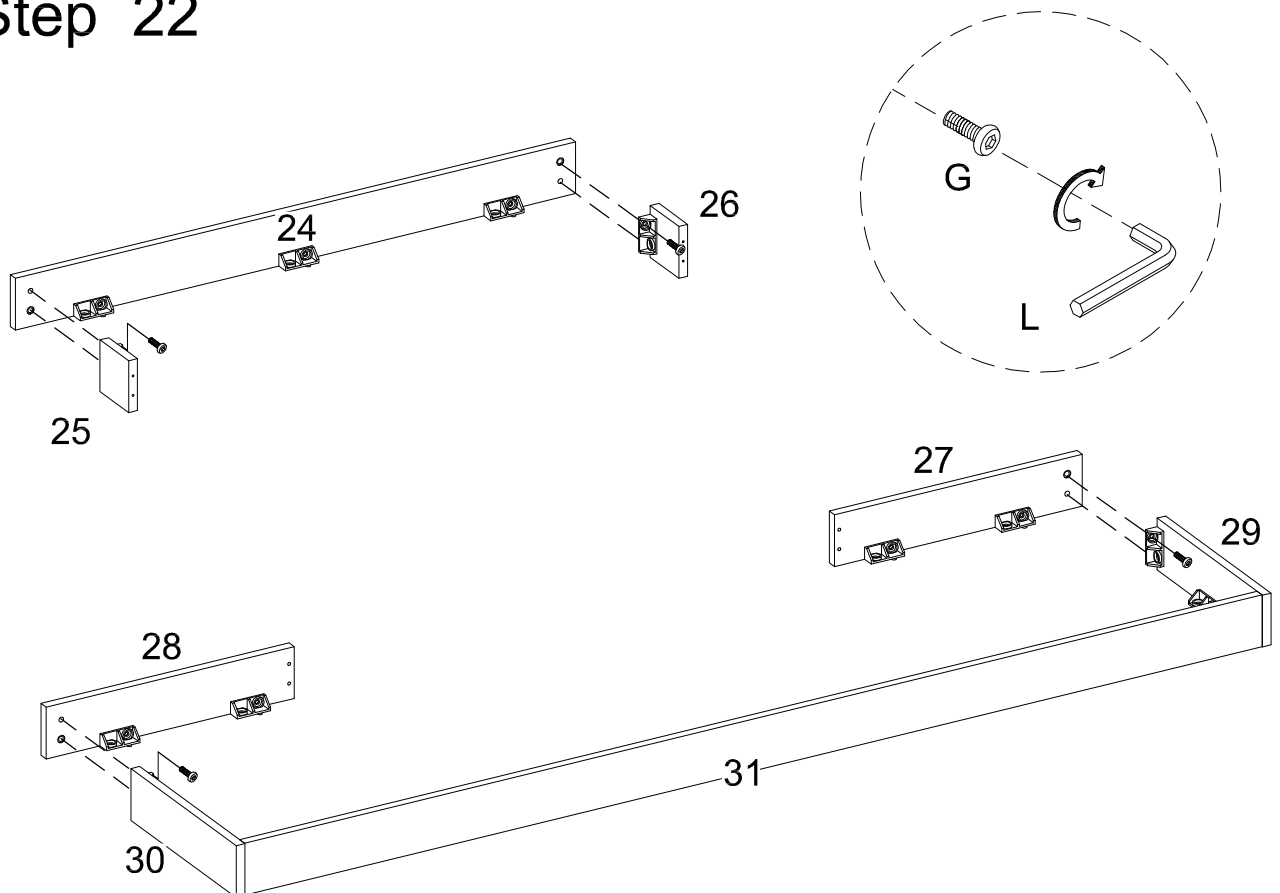
Step 20



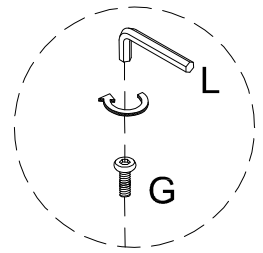
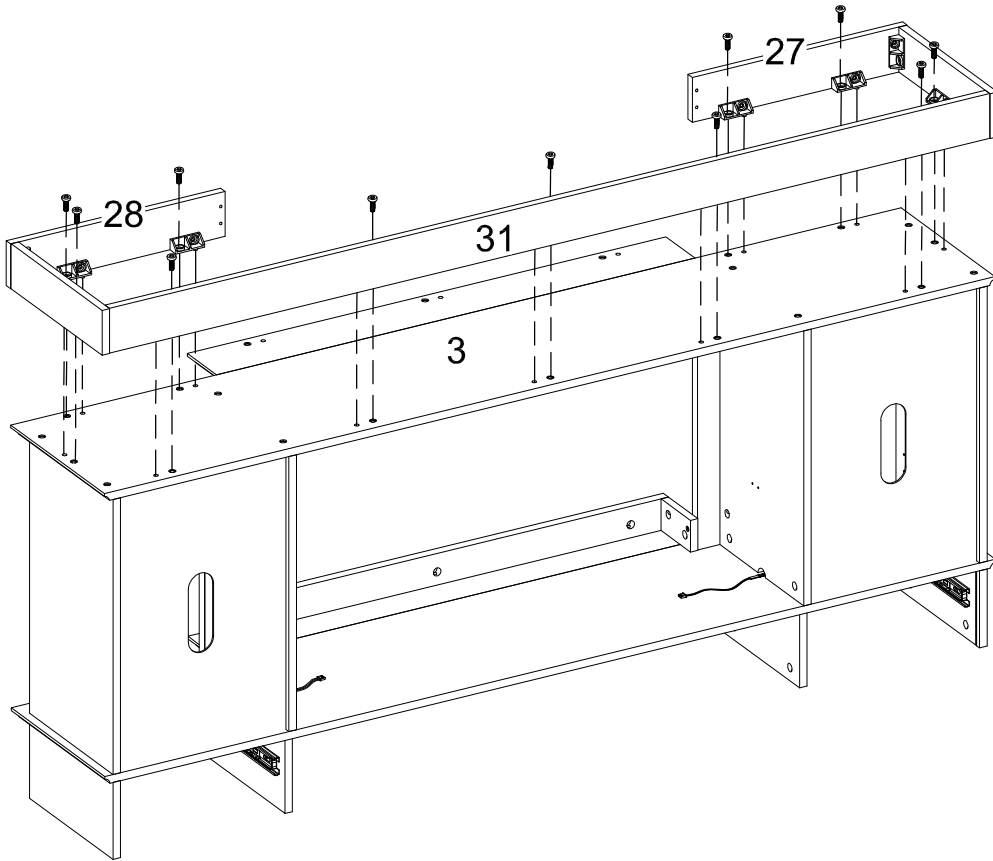
Step 21



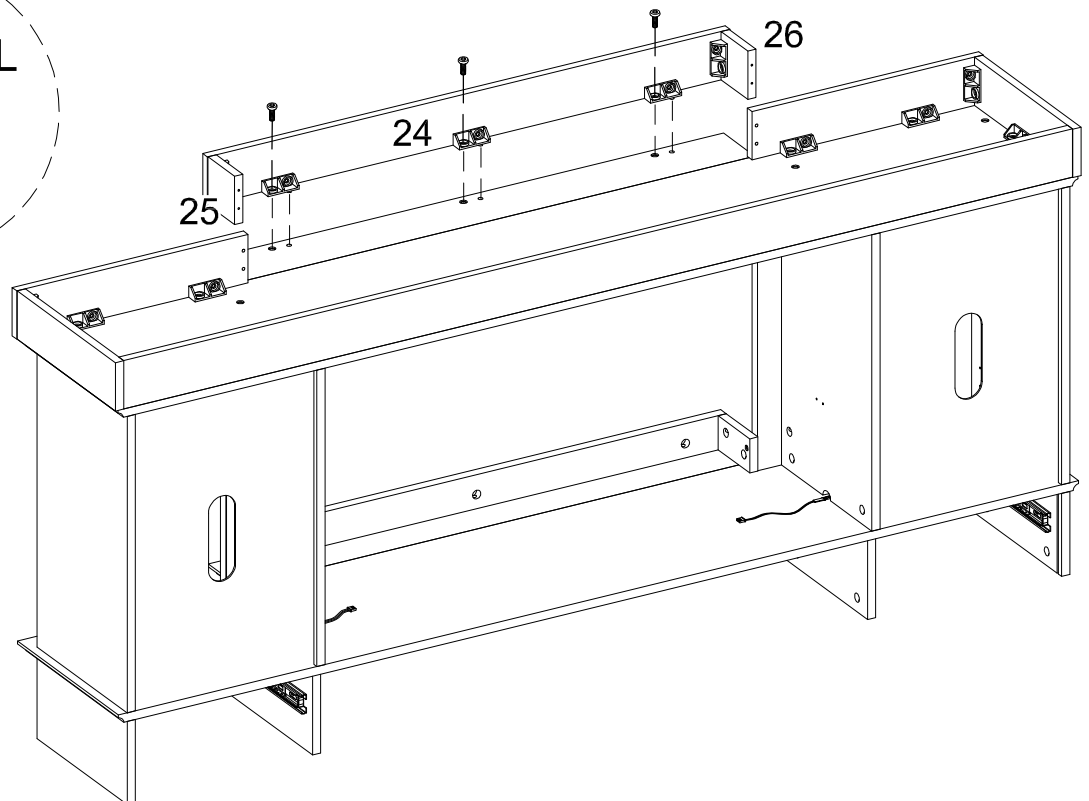
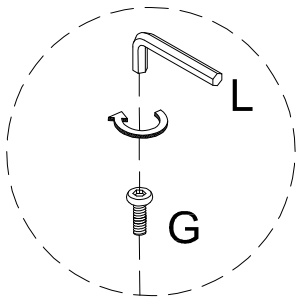
Step 22



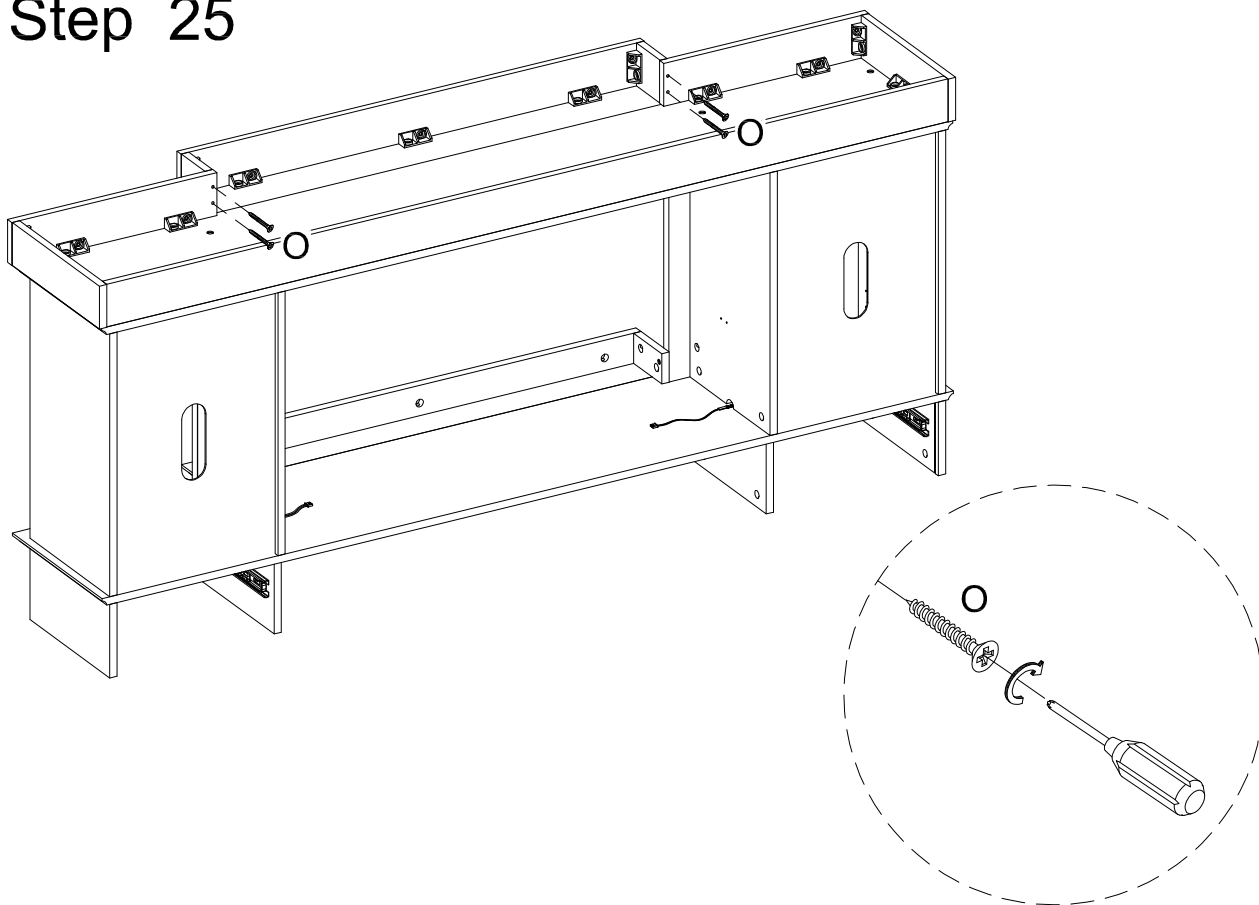
Step 23



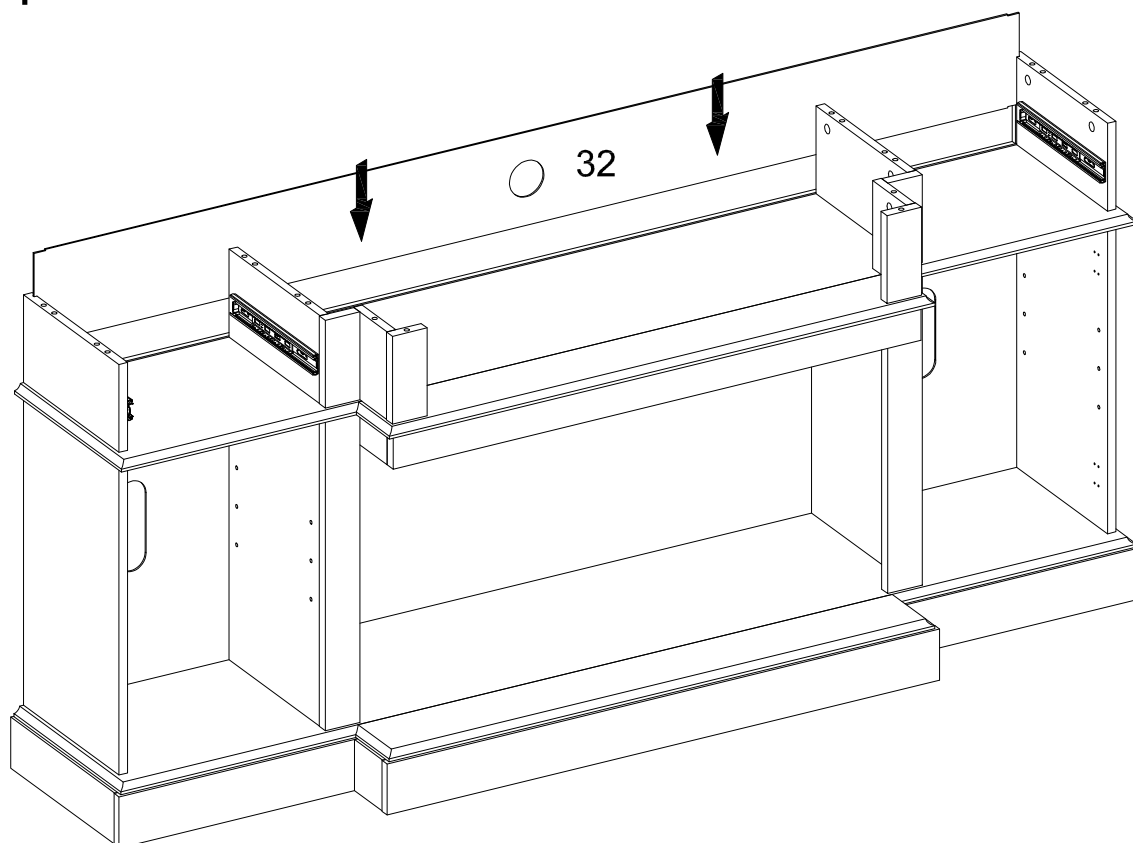
Step 24



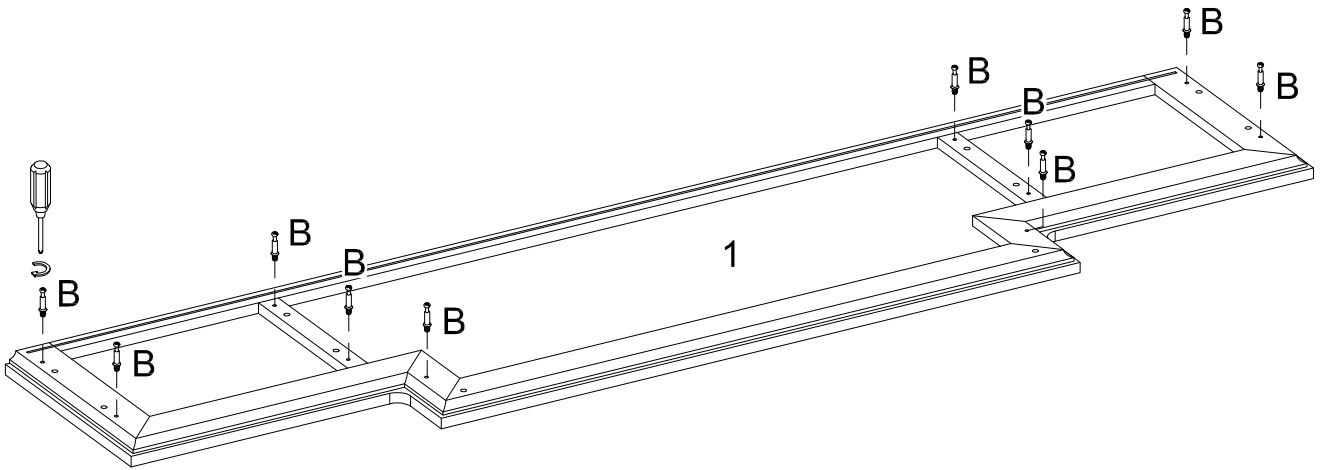
Step 25



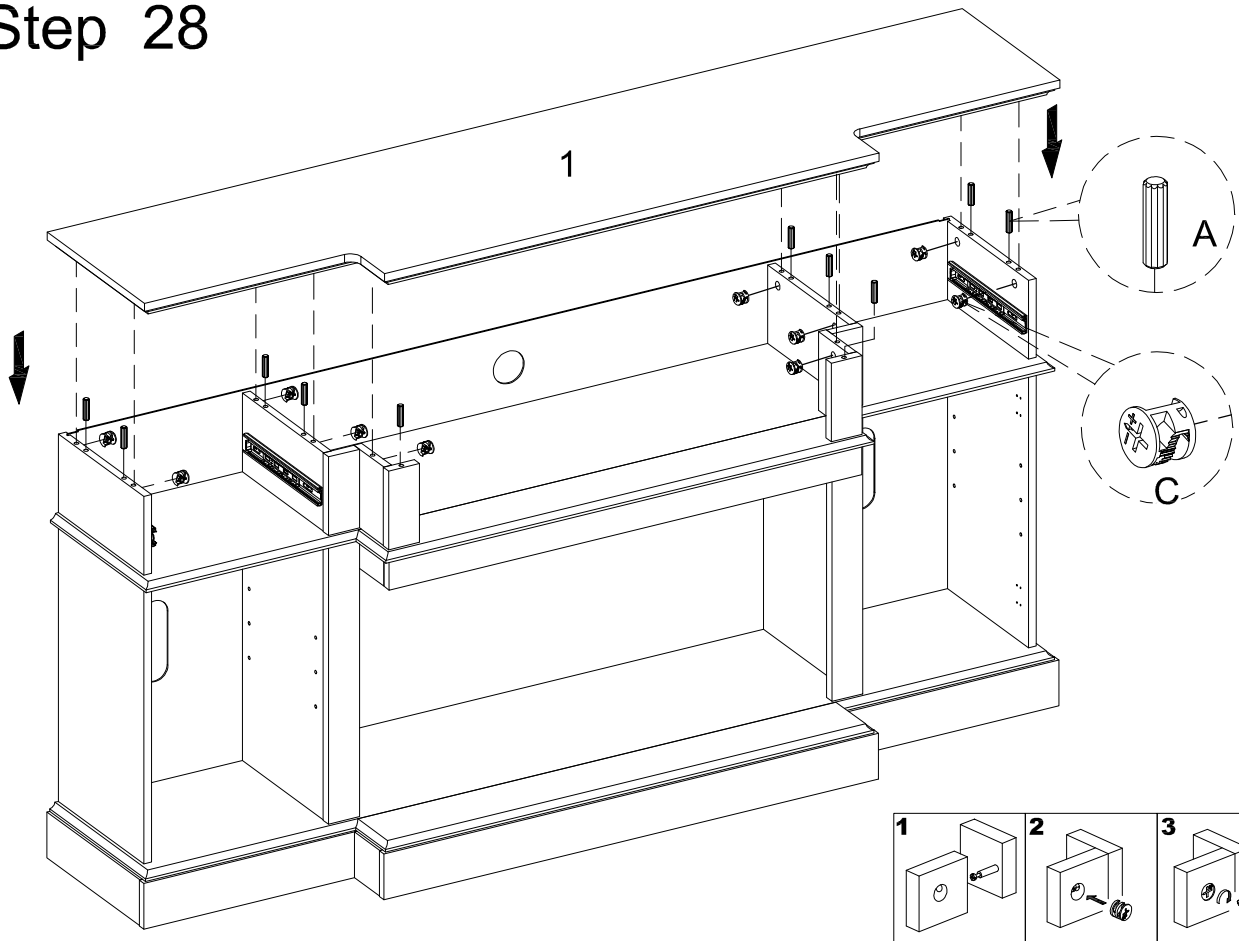
Step 26



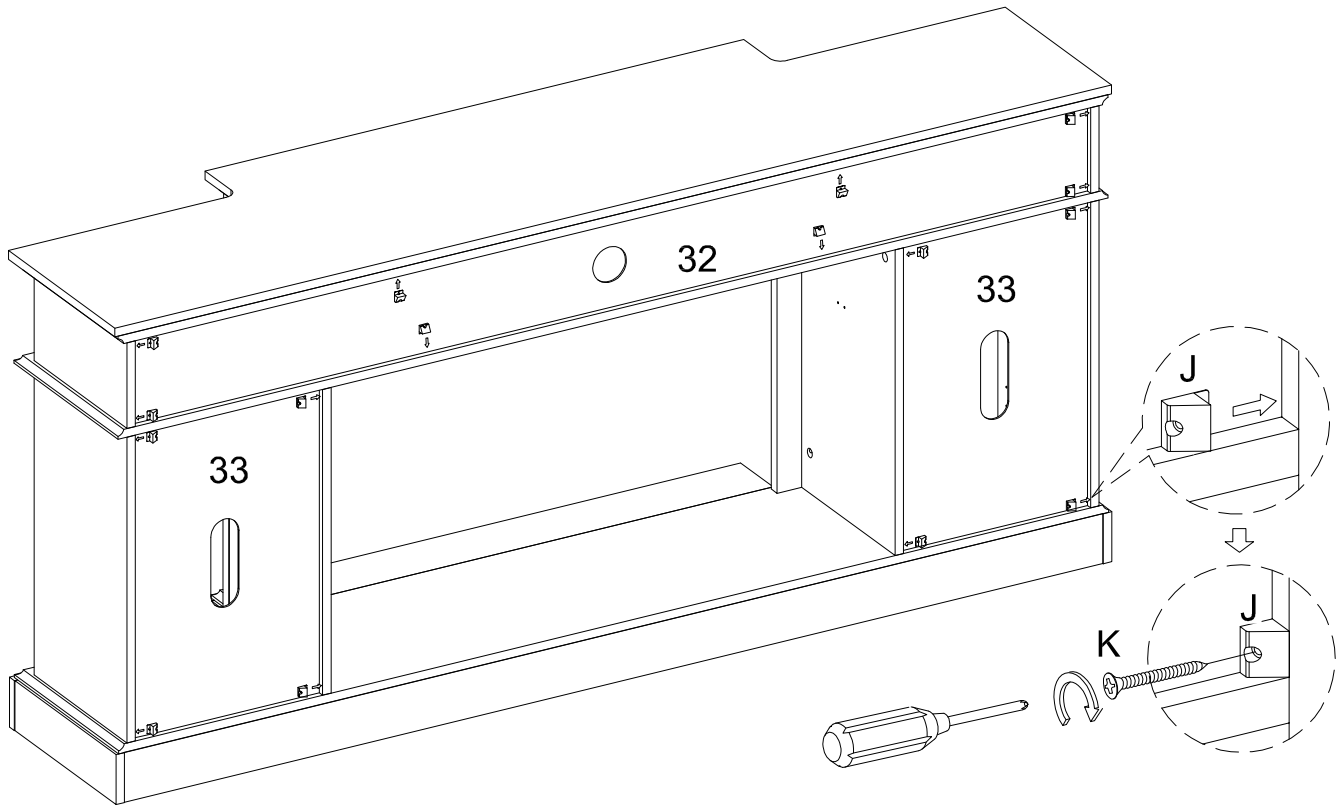
Step 27



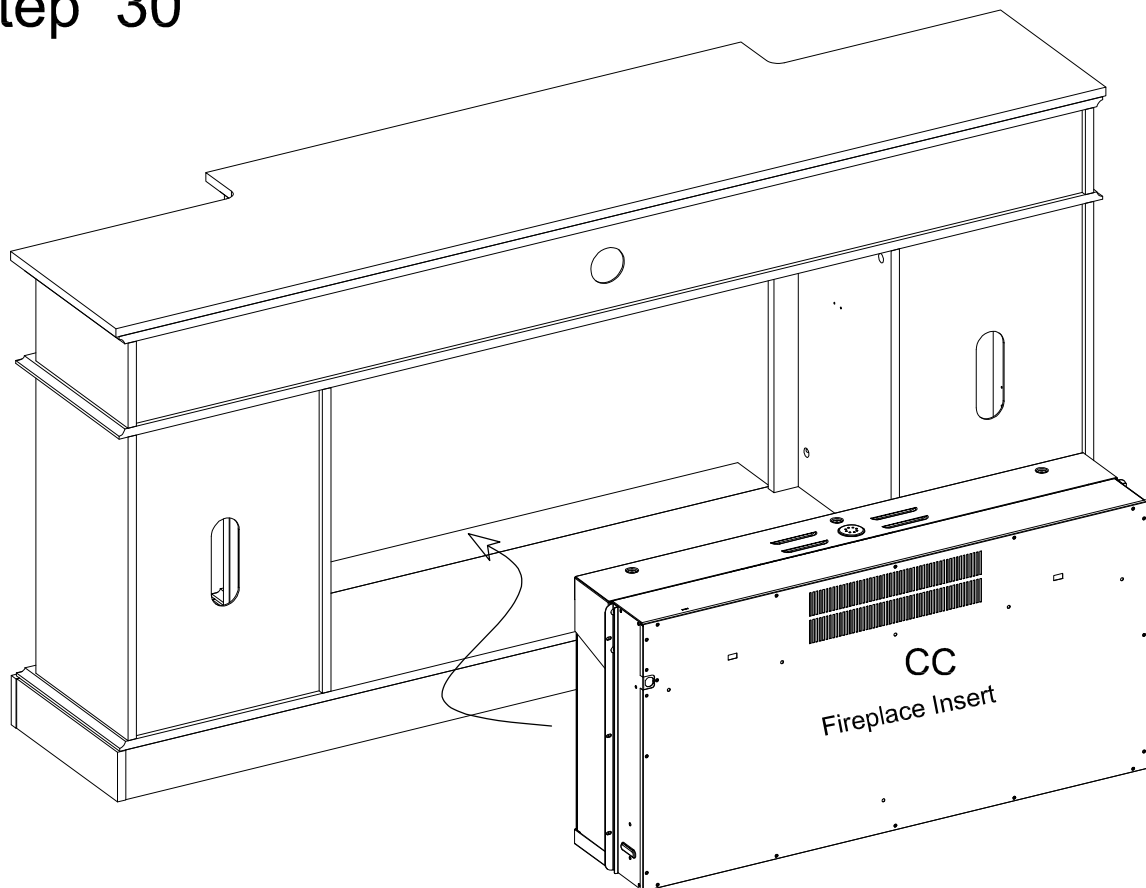
Step 28



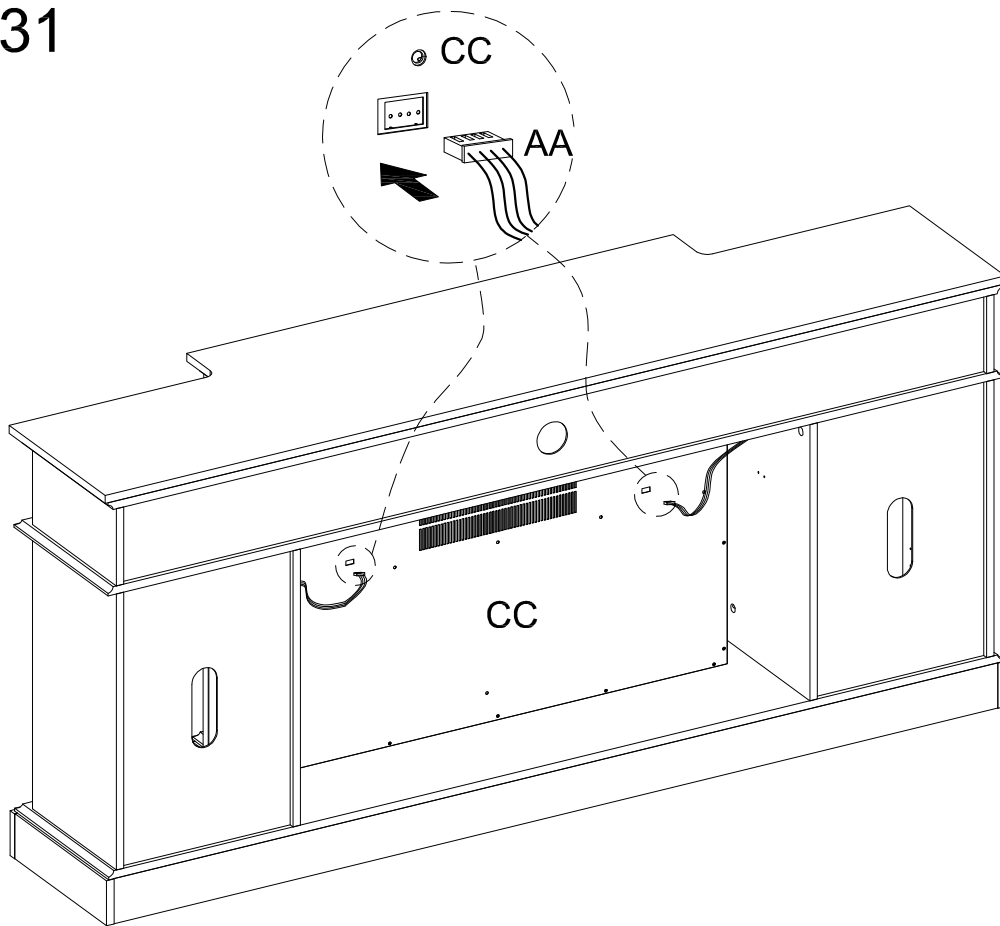
Step 29



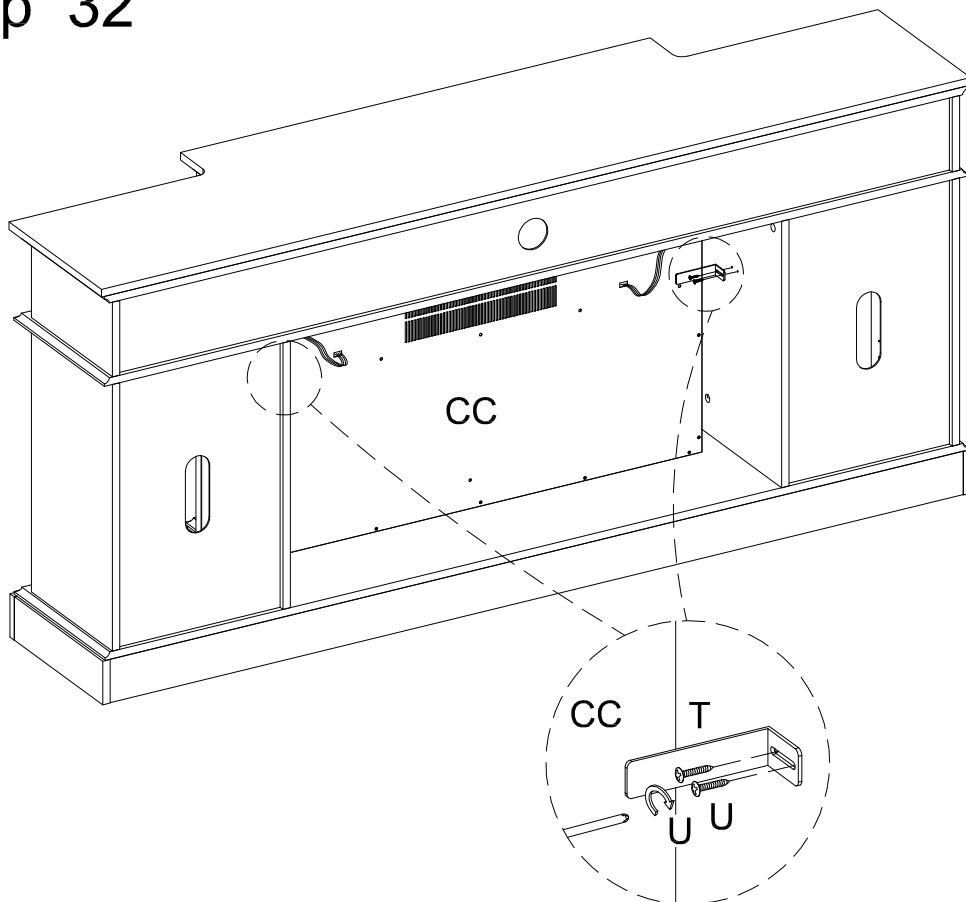
Step 30



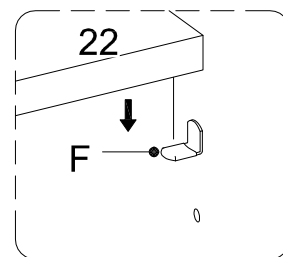
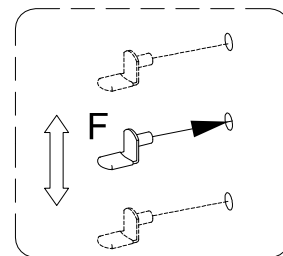
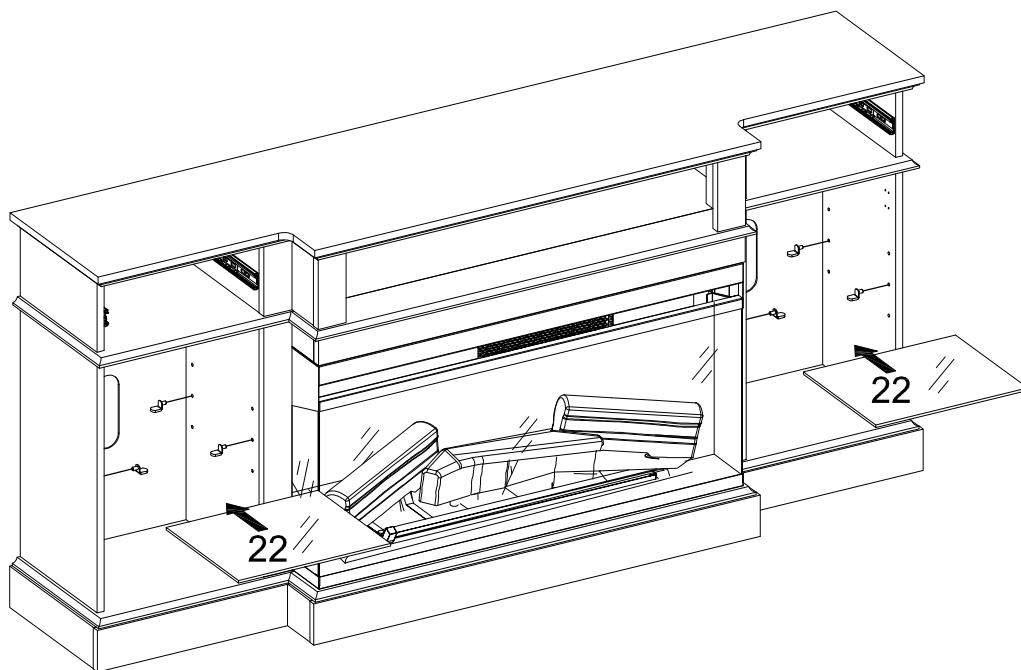
Step 31



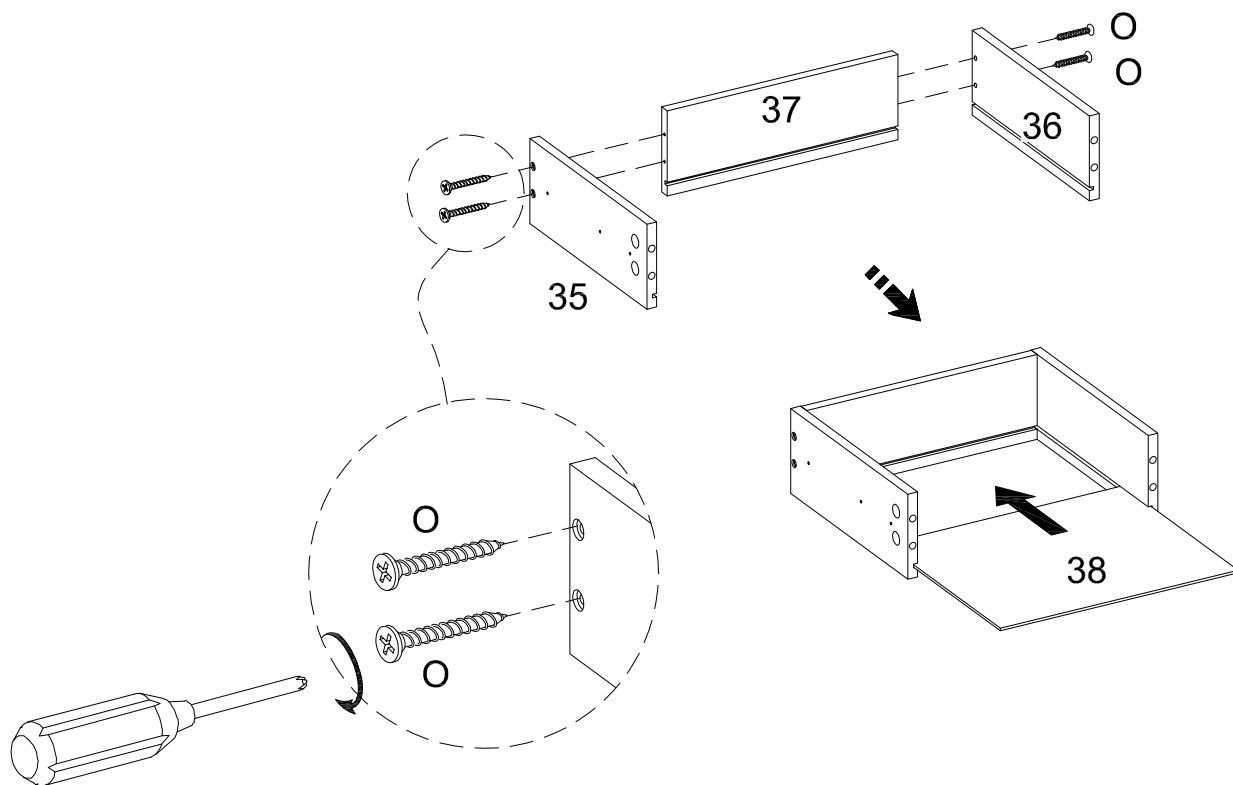
Step 32



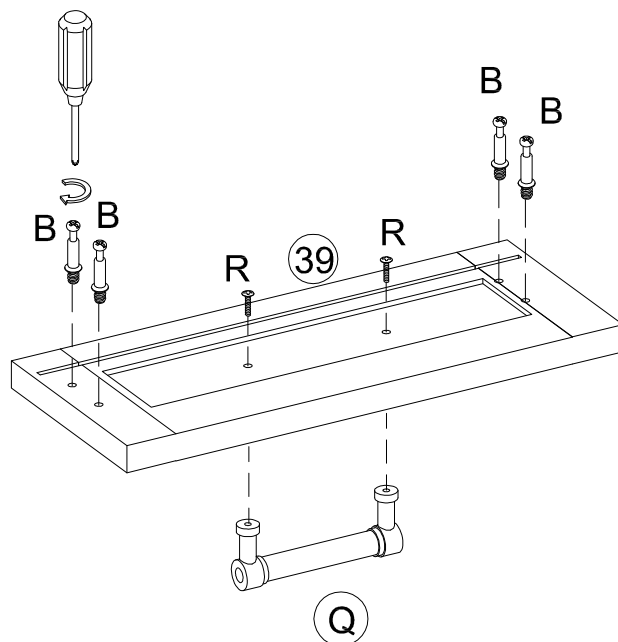
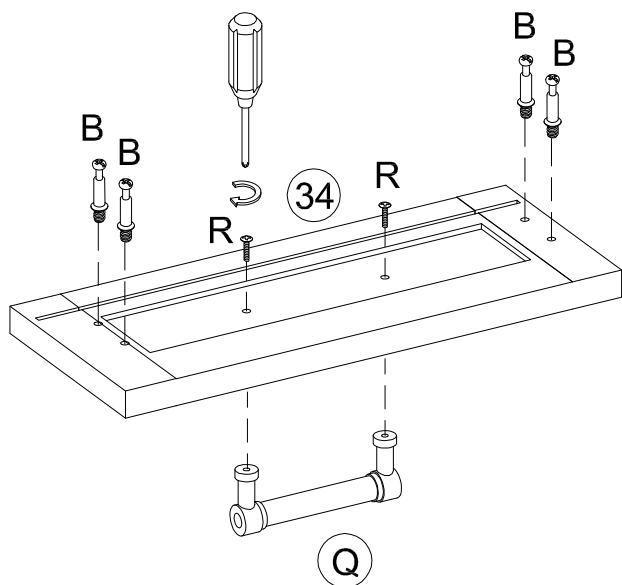
Step 33



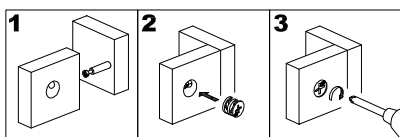
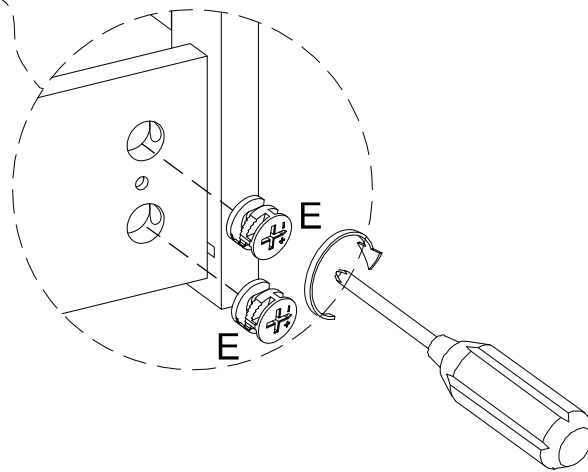
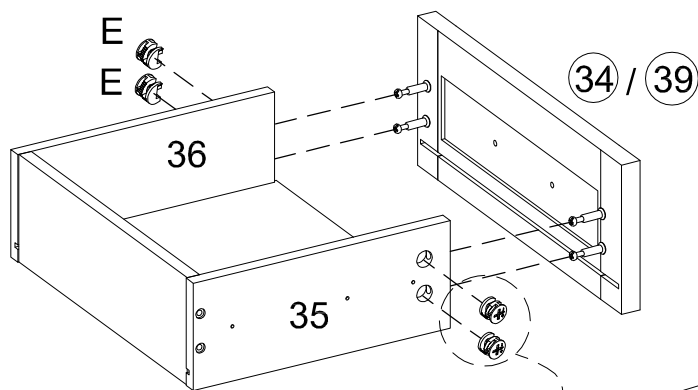
Step 34 x2



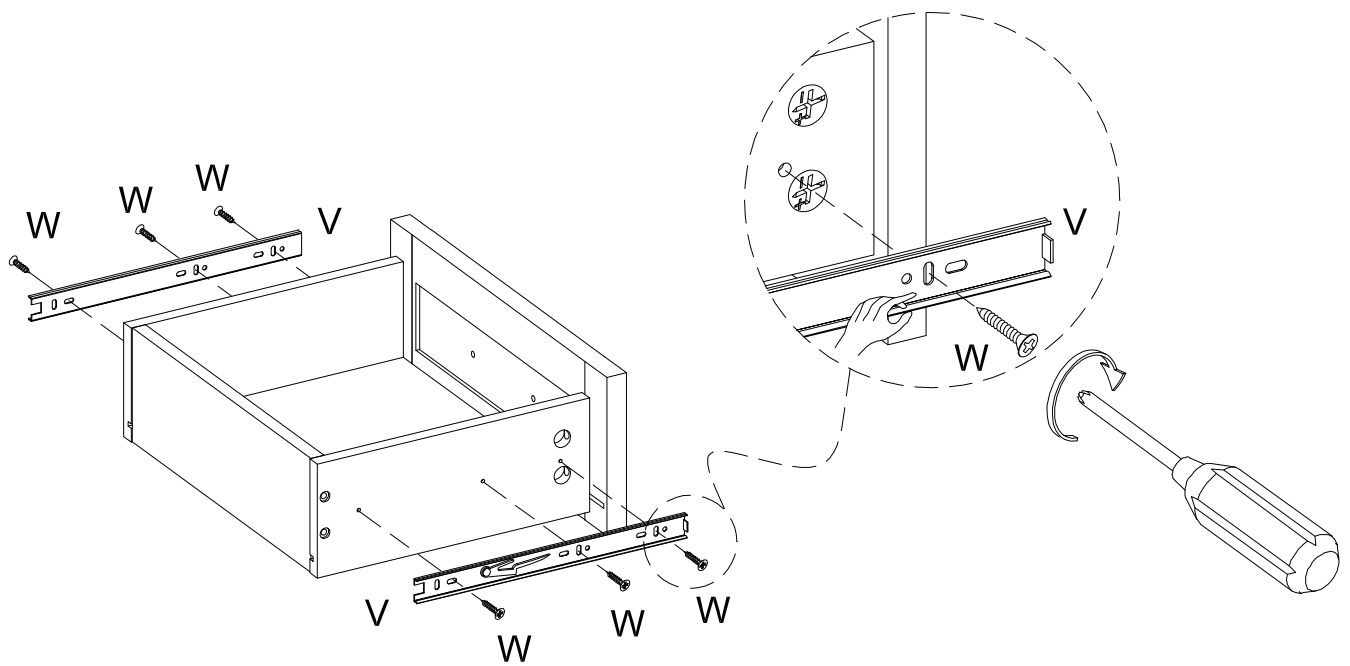
Step 35



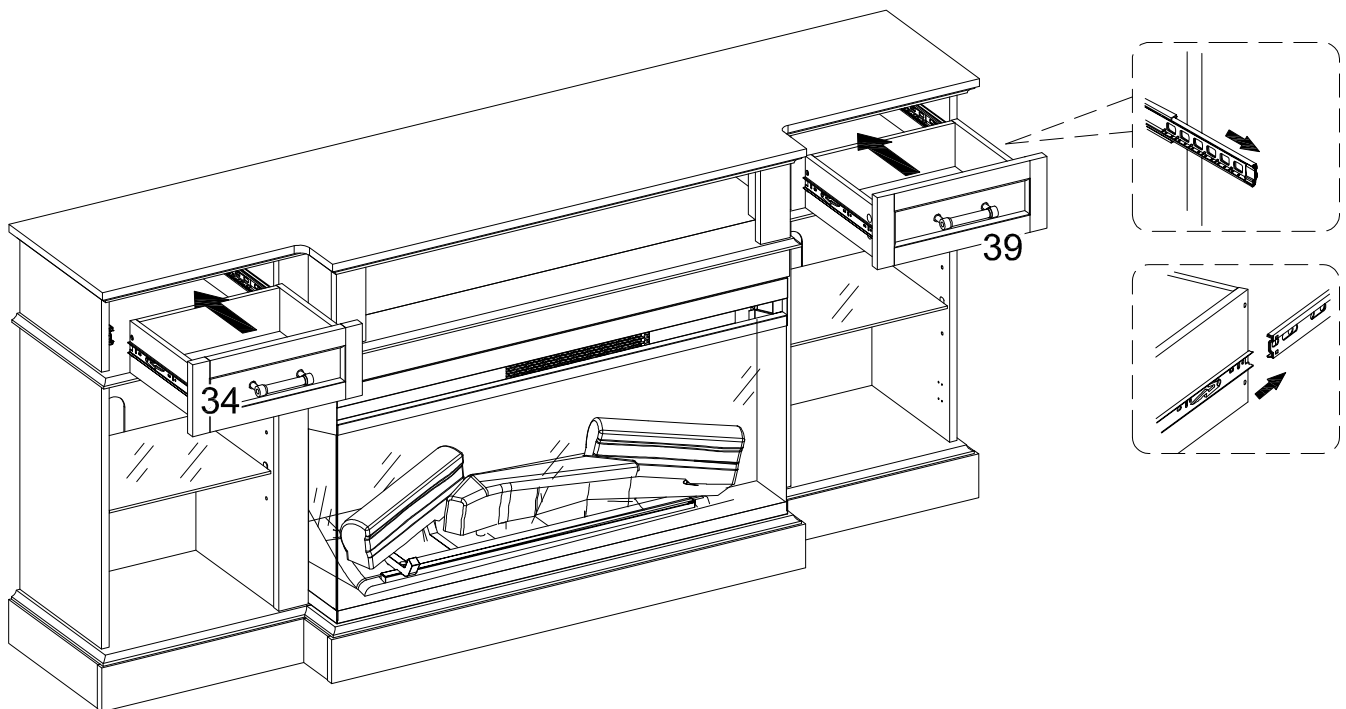
Step 36 x2



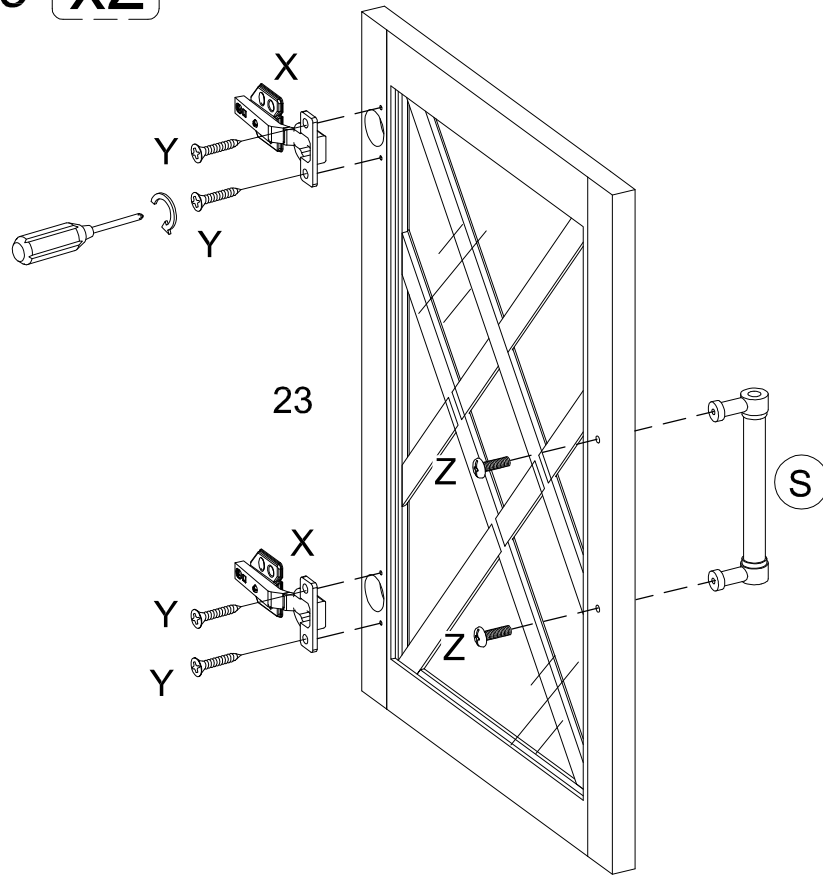
Step 37 x2



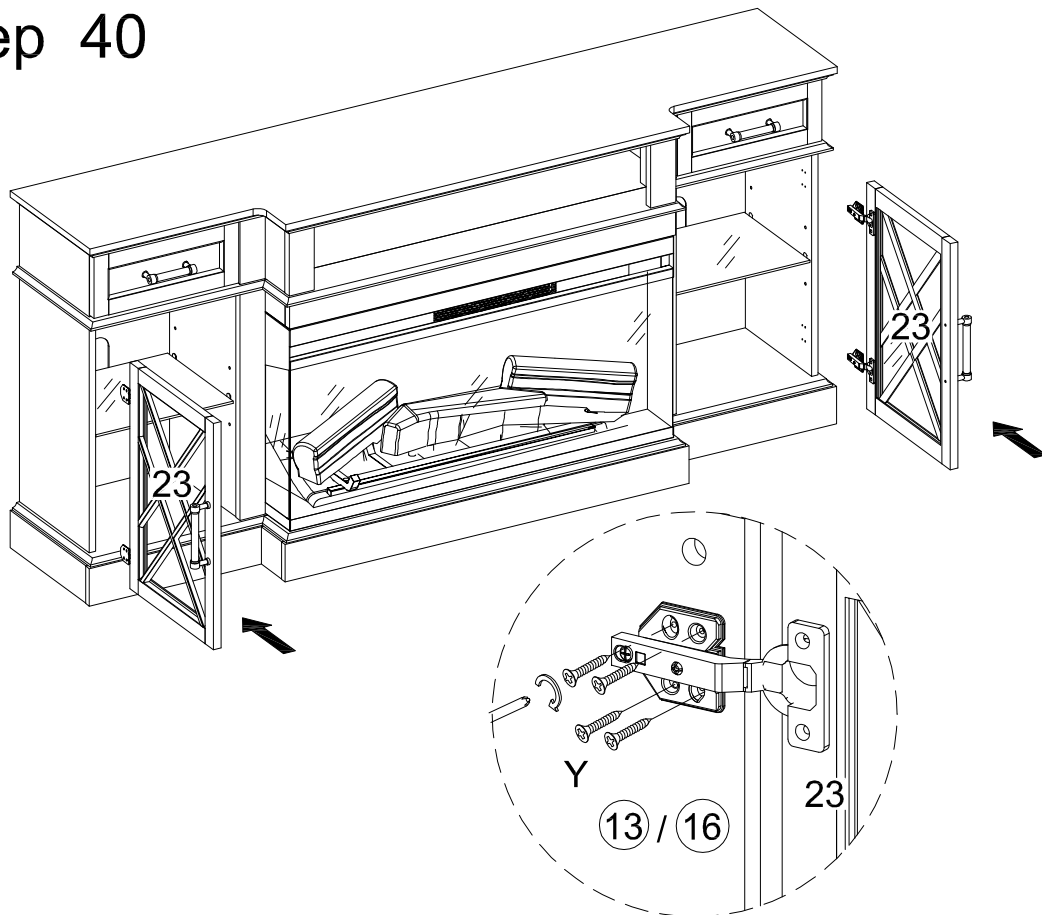
Step 38



Step 39 x2



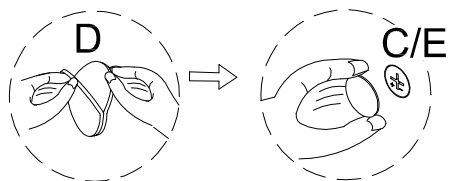
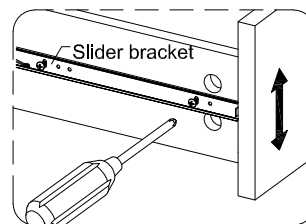
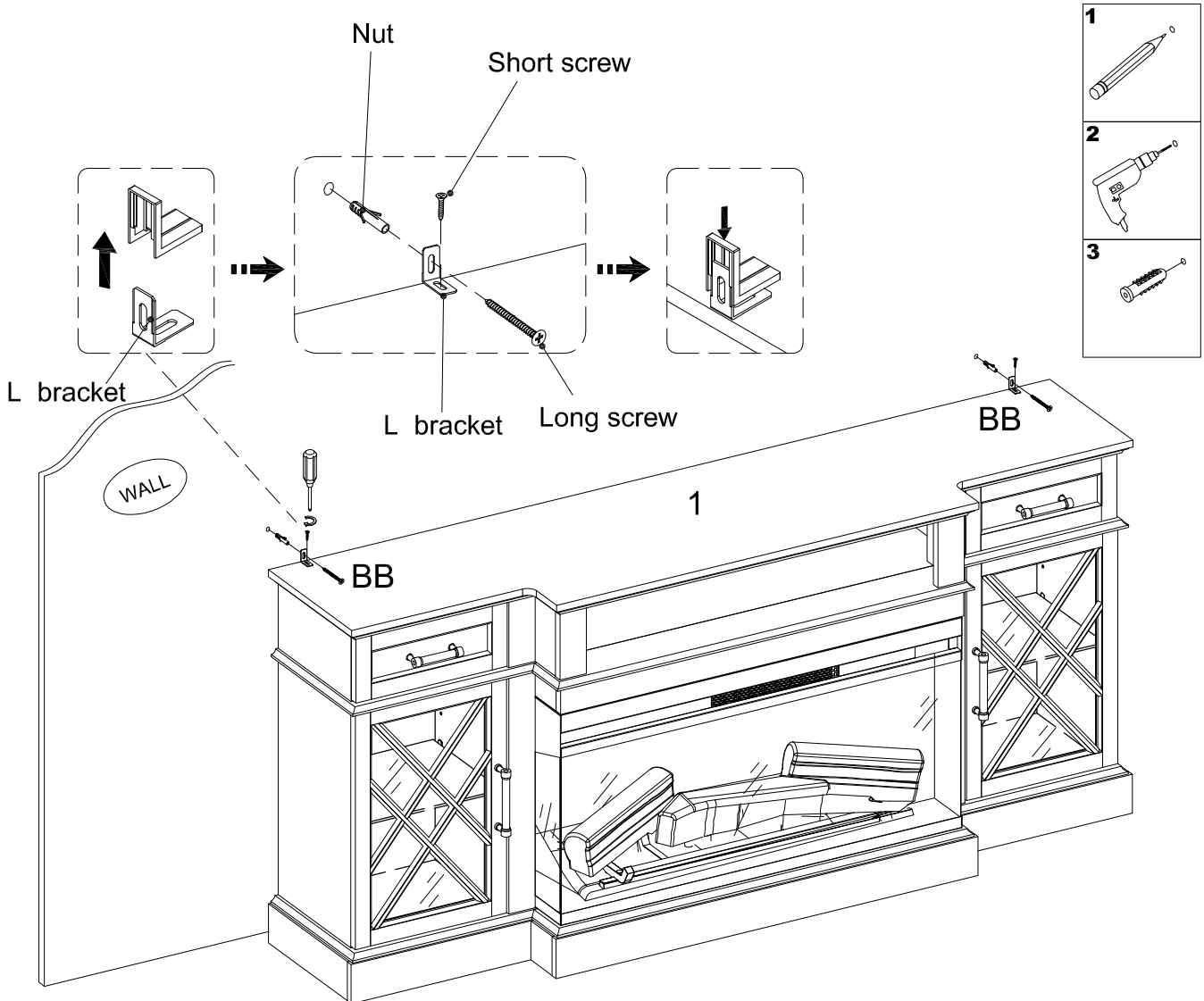
Step 40



Step 41

WARNING

Serious or fatal injuries can occur from furniture tipping over. To prevent the furniture from tipping over we recommend that it is permanently fixed to the wall. Wall anchor and hardware are included with this product. Please make sure hardware is suitable for your walls before installing, as different wall materials may require different types of anchors.



Stick stickers(D) on cam locks(C,E)

Note :

If the drawer does not go in smoothly.
 Press or lift the plastic release lever.
 Pull out the slider bracket from the slider arm.
 Loosen the screws (W) on slider brackets,
 You can adjust up or down by a few mm.
 Then tighten back up.
 Finally re-assembled the drawer until they were going
 in smoothly well.

Final Assembly