

## NOTICE

- \* Please make sure that you have all parts indicated and they are in good condition before you begin assembly of this item. Refer to part list and hardware list below for guidance.
- \* This item should be assembled on a soft surface to prevent scratching the finish during assembly.
- \* This item may require periodic tightening.
- \* If you are having difficulty, our friendly Customer Care team is always here to help. Please email [customersupport@safavieh.com](mailto:customersupport@safavieh.com)

## PREPARATION



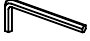


- \* Before beginning assembly of product, make sure all parts are present. Compare parts with part contents list and hardware contents list.
- \* If any part is missing or damaged, do not attempt to assemble the product.
- \* Estimated Assembly Time: 30 minutes.
- \* Require 2-3 person for assembly.
- \* Tools Required for Assembly (included): Allen Key

## CARE AND MAINTENANCE

- Blot up spills immediately, always use coasters on table tops under beverages. Use trivets or mats under hot dishes or cookware. Clean with warm water and dry surface immediately after cleaning. Do not use cleaners that contain acid such as bathroom cleaners, grout cleaner, and tile cleaners. Do not use abrasive cleaner in either dry or liquid forms. Use a cleaner and polish formulated for travertine surfaces.

- Always use felt pads under all articles to prevent discoloration or softening of the lacquer. Plastic and rubber bases on items can discolor wood. Wipe up spills immediately and avoid common hazards such as hot dishes, harsh solvents and abrasives. Cleaning should be done with a soft lint free cotton cloth dampened with water or furniture polish. On highly used surfaces we recommend applying a quality paste wax which should be used on a regular basis to provide additional protection from scratches and spills. How often you apply the wax depends on how much wear the furniture receives.

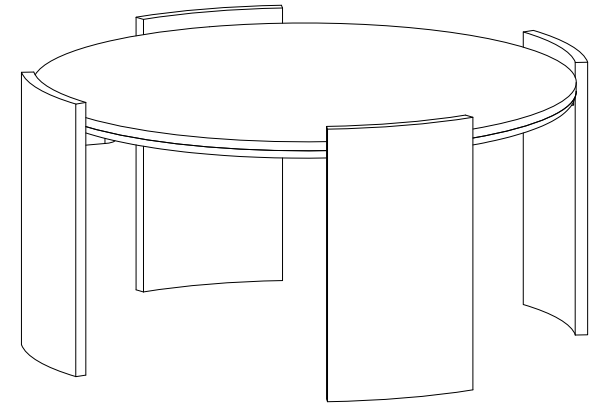
### PARTS & HARDWARE LIST

Piece	Description	Picture	Quantity	Carton call
A	Marble Top		1x	1 of 2
B	Legs		4x	2 of 2
HW1	Allen Key 5mm		1x	1 of 2
HW2	JCB Bolt 8x1.25x35mm		8x	1 of 2
HW3	Washer 25x8mm		8x	1 of 2

# SAFAVIEH C O U T U R E

ITEM ID : SFV9731

PRODUCT DIMENSION : 35"WX35"DX18"H



### ⚠ WARNING ⚠

**Weight Capacity : 100 lbs**

**WARNING : DO NOT STAND/SIT ON COFFEE TABLE**

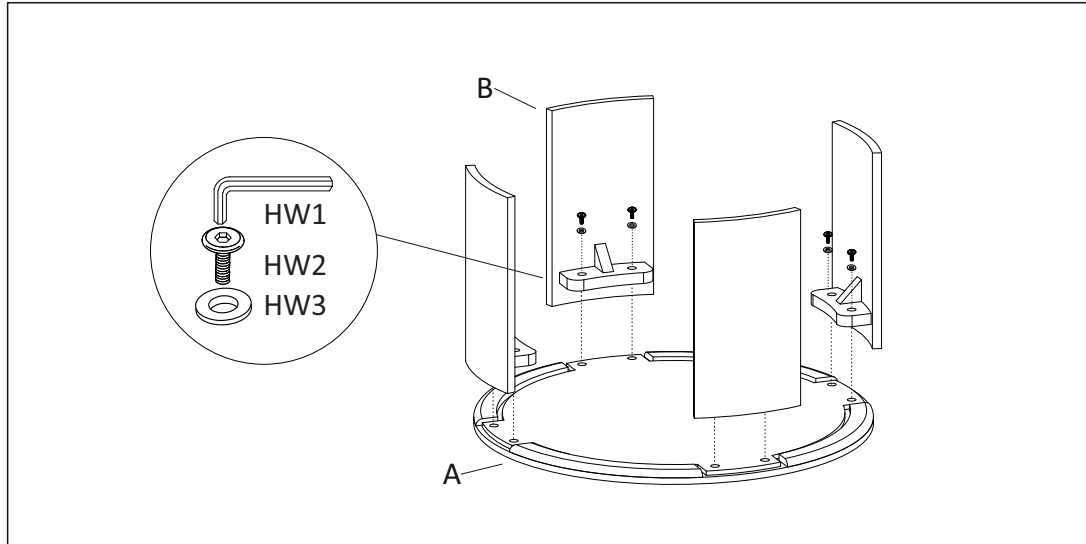
**WARNING : DO NOT DRAG COFFEE TABLE**

**WARNING : HEAVY PRODUCT**

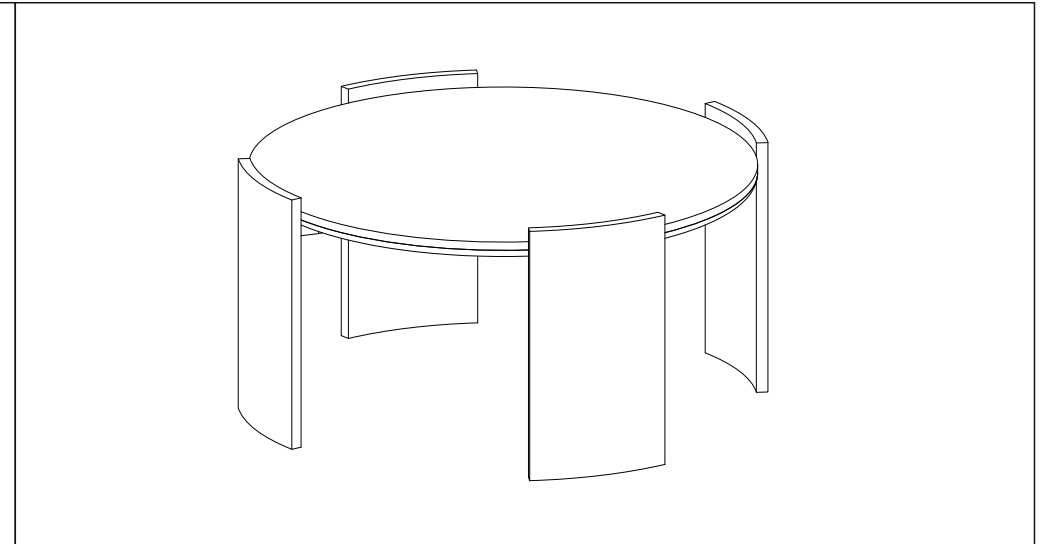
**WARNING : DO NOT OVER TORQUE BOLTS**

# PREPARATION

- \* Before beginning assembly of product, make sure all parts are present. Compare parts with part contents list and hardware contents list.
- \* If any part is missing or damaged, do not attempt to assemble the product.
- \* Estimated Assembly Time: 30 minutes.
- \* Tools Required for Assembly (included): Allen Key 5mm
- \* If you are having difficulty, our friendly Customer Care team is always here to help. Please email [customersupport@safavieh.com](mailto:customersupport@safavieh.com)



**STEP 1:** Place the top (A) upside down on a flat surface and align the screw holes on the legs (B) to the screw holes on the top (A). Attach the legs by placing the washer (HW3) on the bolt (HW2) and use the Allen key (HW1) to screw in the bolt.



**STEP 2:** Turn the table upright. Your product is now ready for use.