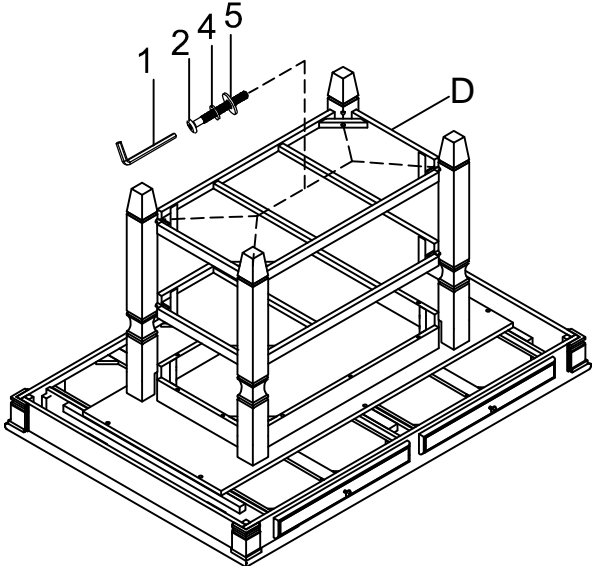
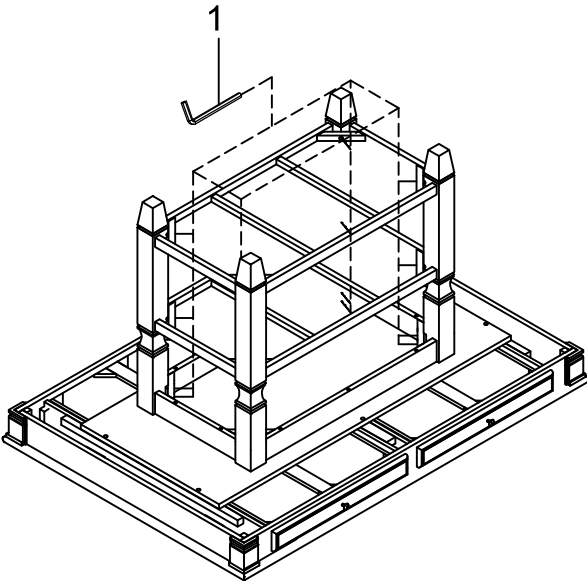


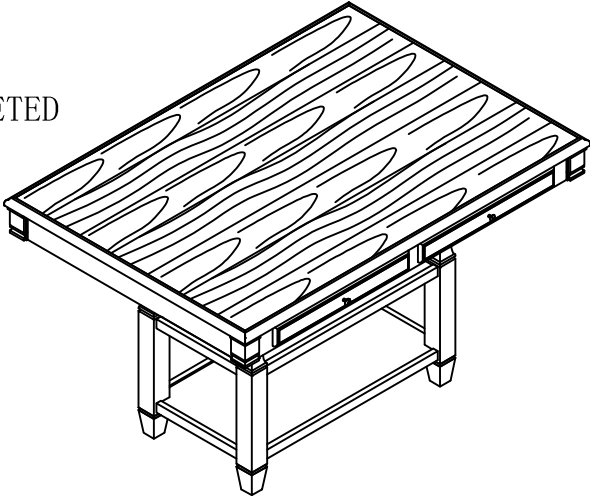
STEP 4:



STEP 5:



ASSEMBLY COMPLETED



Do not fully tighten all screws and bolts until the entire item is completely assembled.