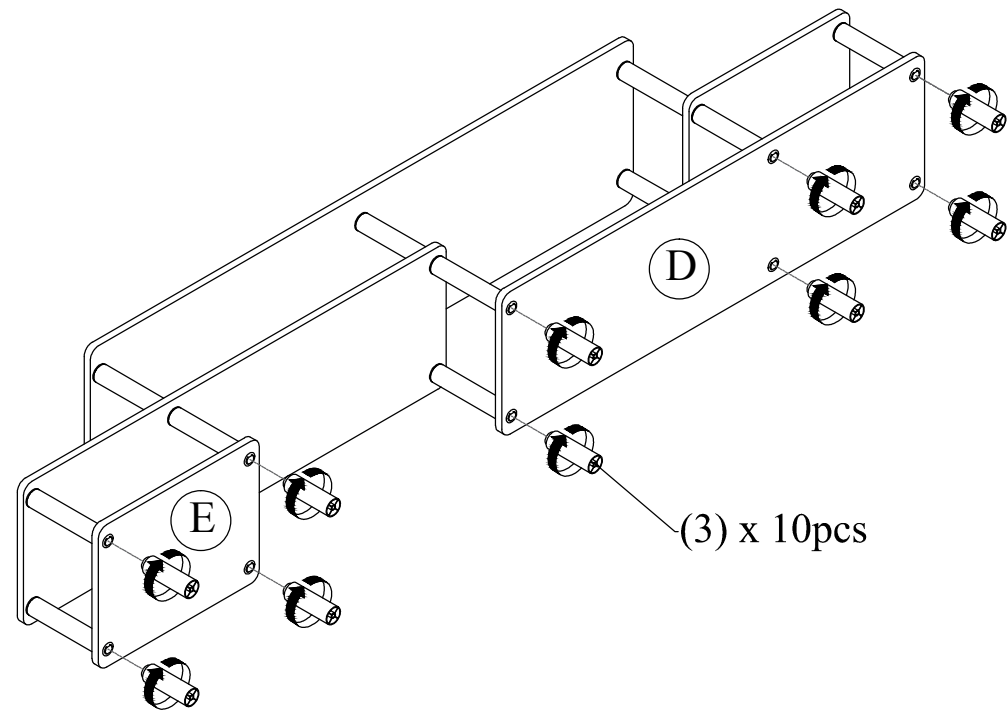
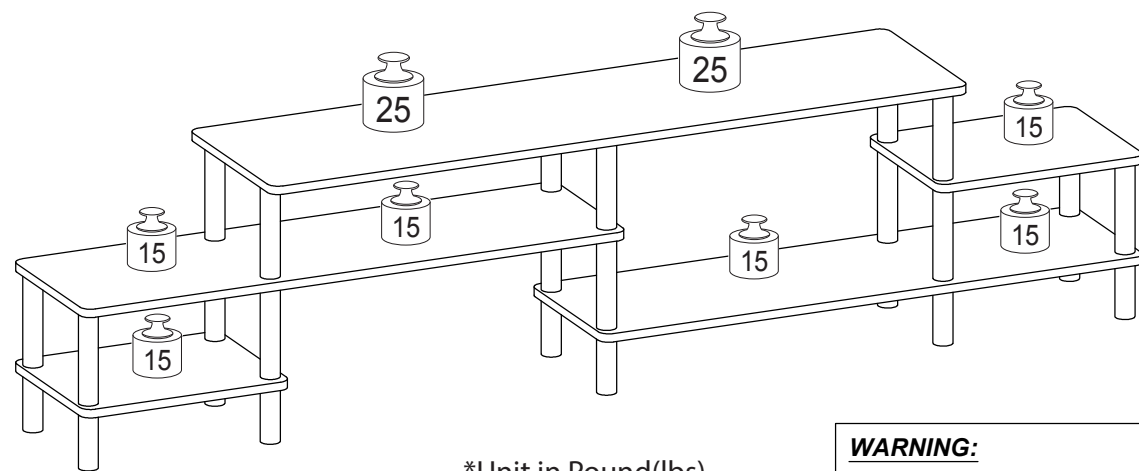


STEP 3



Recommended Maximum Weight



*Unit in Pound(lbs)

WARNING:

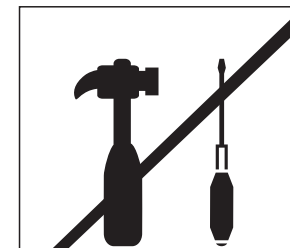
- >This unit has been designed to support the maximum loads shown. Exceeding these load limits could cause sagging, instability, product collapse, and/or serious injury.
- >DO NOT allow children to climb on unit.
- > Put heavier items on lower shelves.

00:20

Approx. 20 minutes



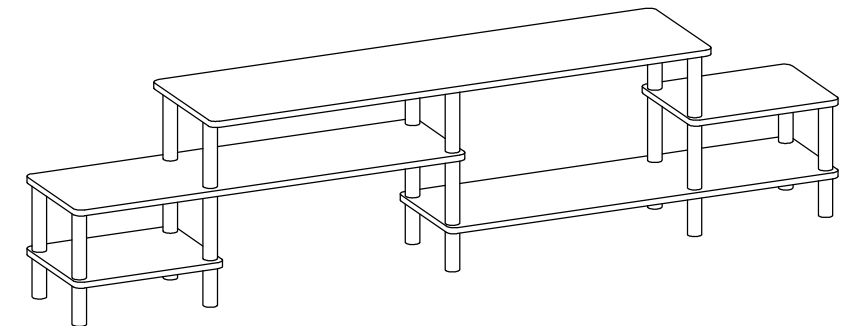
Recomm. 2 Persons



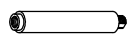


No Tools Required

Assembly Instruction

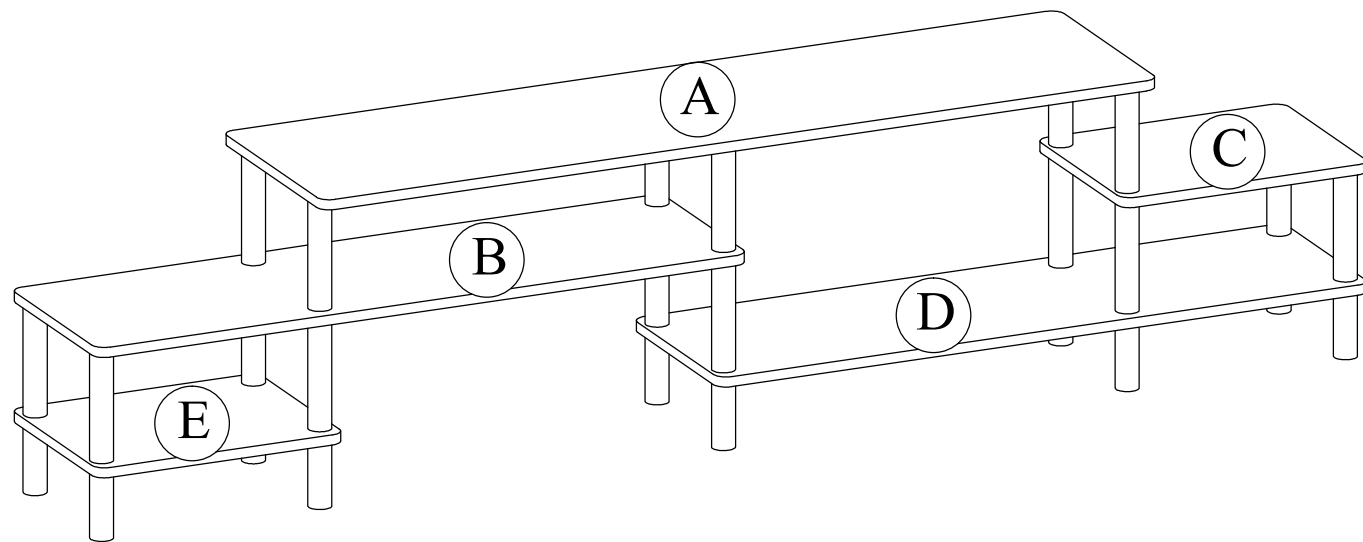
Turn-N-Tube Entertainment Center



HARDWARE & PARTS LIST

NO	HARDWARE LIST	QTY
1	SHORT POLE 	16pcs
2	ROUND RING 	6pcs
3	LONG ROUND LEG 	10pcs

NO	PARTS LIST	QTY
A	TOP PANEL	1pc
B	LARGE SHELF PANEL	1pc
C	SMALL SHELF PANEL	1pc
D	LARGE BOTTOM PANEL	1pc
E	SMALL BOTTOM PANEL	1pc



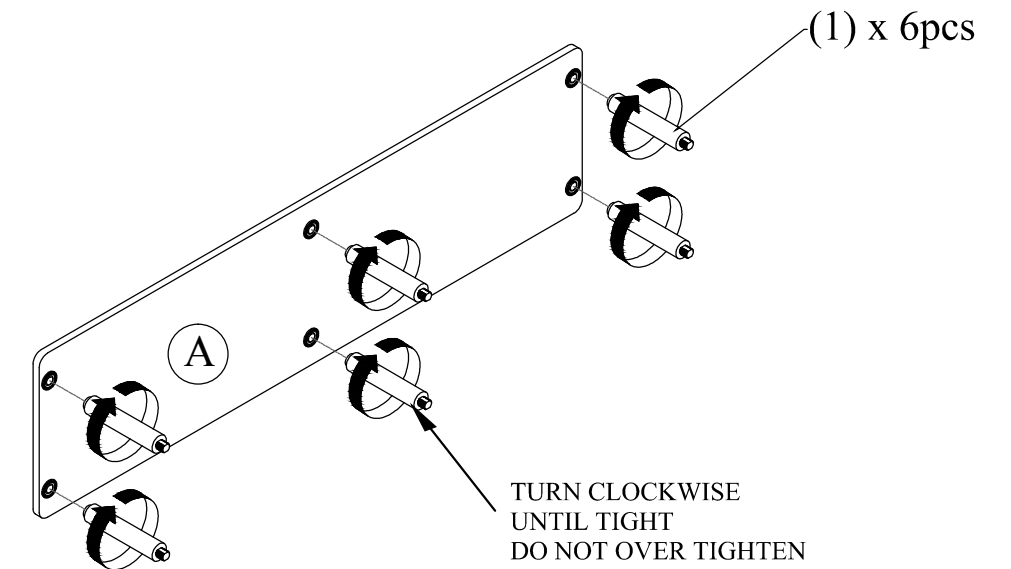
USEFUL HINTS BEFORE YOU START:

1. Read each step carefully before starting.
2. It is important that each step is performed in correct order to avoid difficulties.
3. Identify, sort and count the parts before assembly.
4. Assemble your furniture on packaging cardboard to prevent scratch or damage.
5. Clean the product with mild cleanser using soft damped cloth. Do not use harsh or abrasive cleanser.
6. Using incompatible hardware might cause damage to product.

ASSEMBLY INSTRUCTIONS

BEFORE YOU BEGIN, PLEASE READ ASSEMBLY INSTRUCTIONS CAREFULLY. FOLLOW THEM STEP BY STEP.

STEP 1



STEP 2

