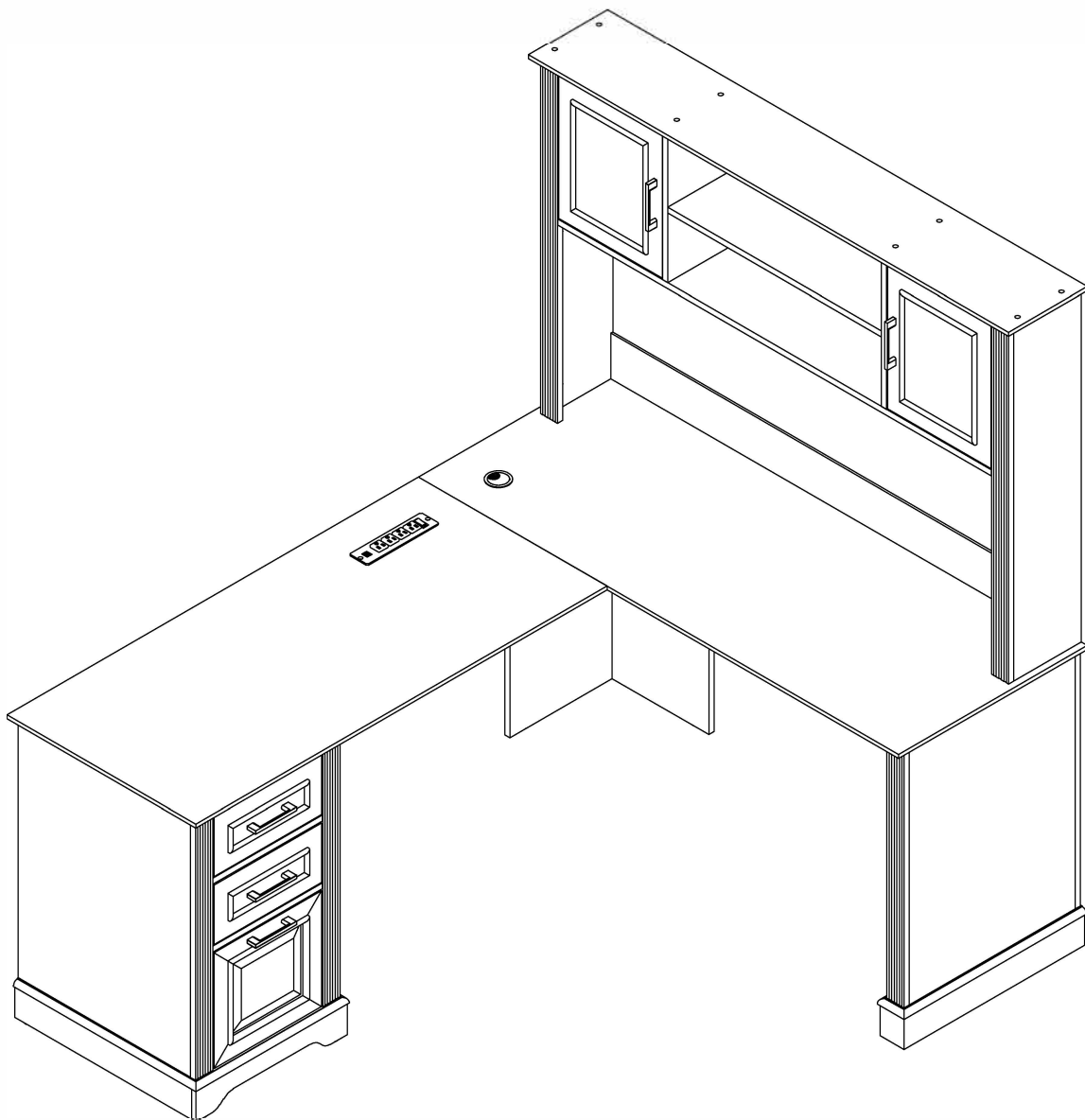
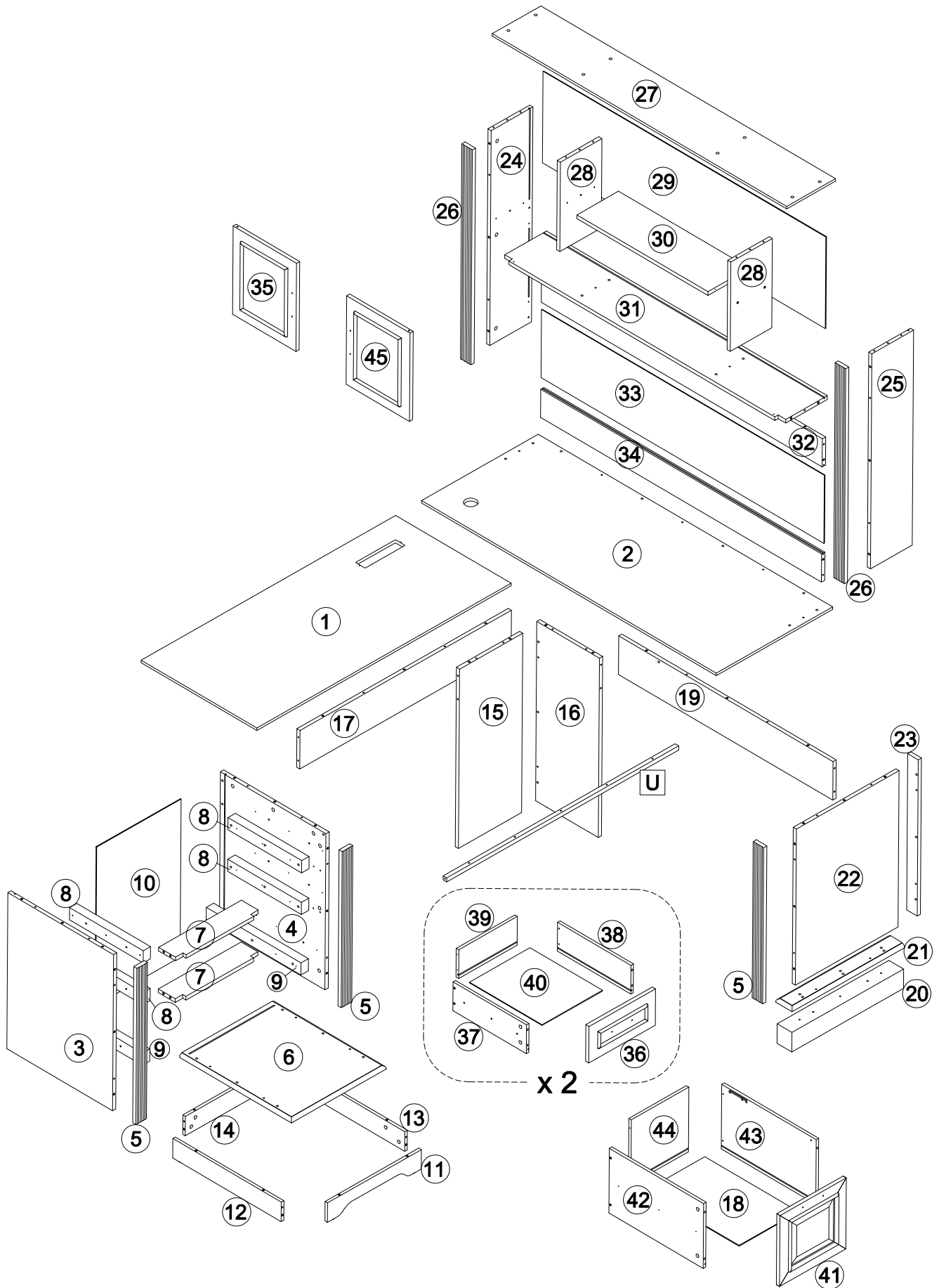


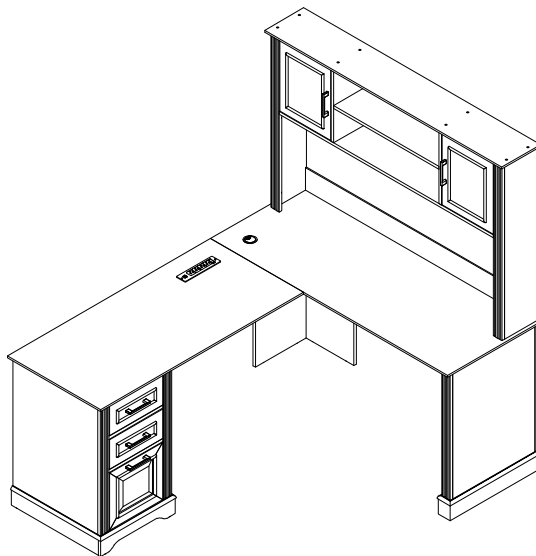
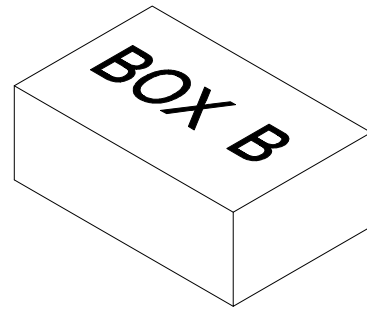
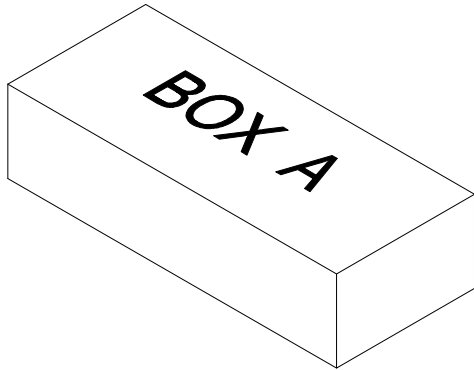
Please note that this product is divided into two boxes, A and B. Boxes A and B may not arrive at the same time. Please be patient and wait



ASSEMBLY INSTRUCTIONS


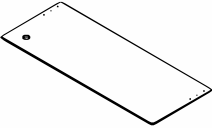

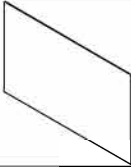
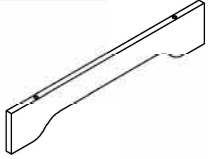

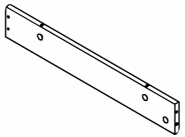
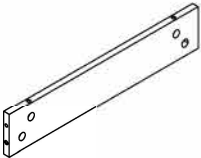

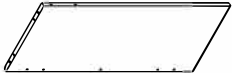
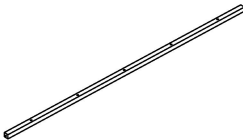



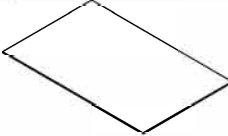
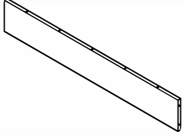
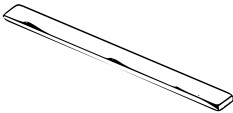




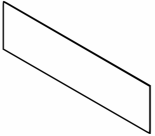

ASSEMBLY INSTRUCTIONS



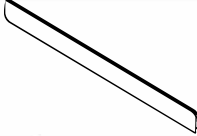
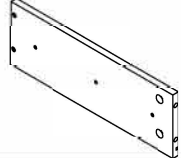
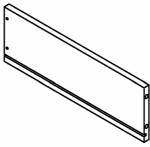
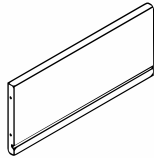
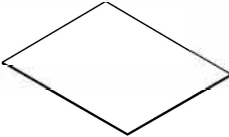
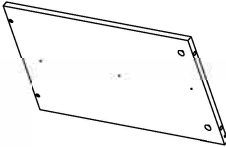
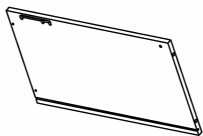
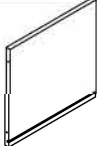


This product has two packages, box A and box B. Only the parts in the two packages can complete the entire table. Please be sure to start the installation after the two packages arrive

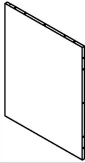
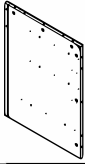
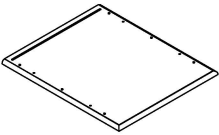
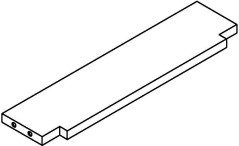
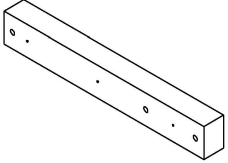
BOX : A

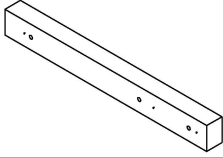
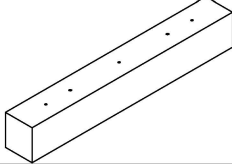
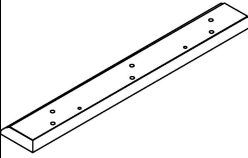
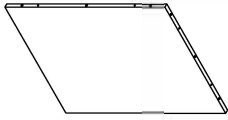

NO.	PARTS	QTY
①		x1
②		x1
⑤		x3
⑩		x1
⑪		x1
⑫		x1
⑬		x1
⑭		x1
⑮		x1
⑯		x1
U		x1

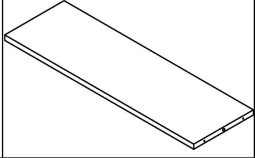
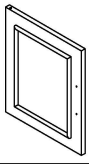
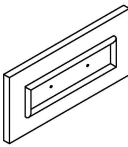
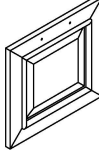
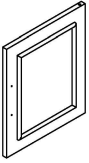
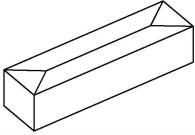
NO.	PARTS	QTY
⑰		x1
⑱		x1
⑲		x1
⑳		x1
㉑		x1
㉒		x1
㉓		x2
㉔		x1
㉕		x1
㉖		x1

NO.	PARTS	QTY
⑳		x1
㉑		x1
㉒		x1
㉓		x2
㉔		x2
㉕		x2
㉖		x2
㉗		x1
㉘		x1
㉙		x1






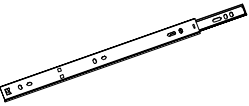
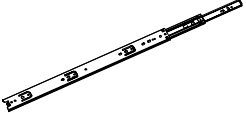
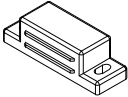

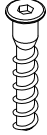
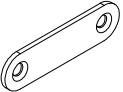
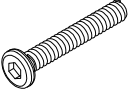

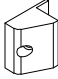
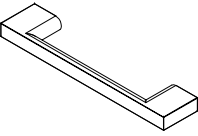
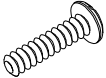
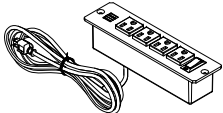

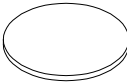
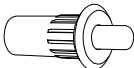
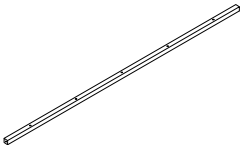
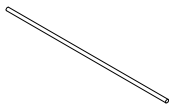

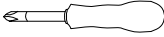

BOX : B

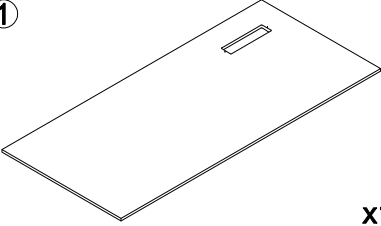
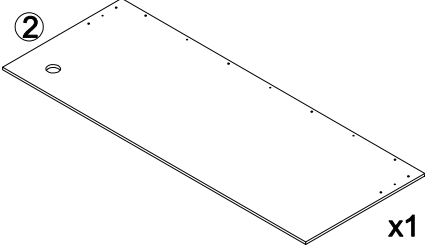
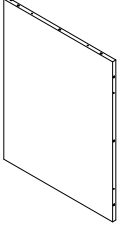
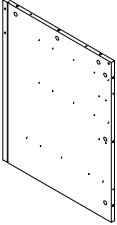
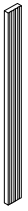
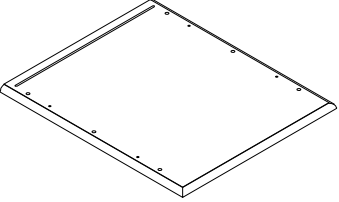
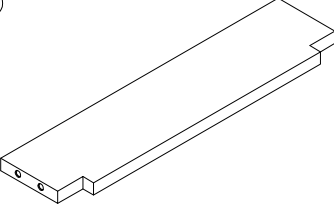
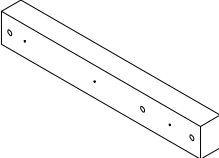
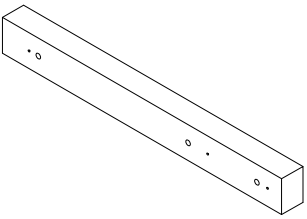
NO.	PARTS	QTY
3		x1
4		x1
6		x1
7		x2
8		x4

NO.	PARTS	QTY
9		x2
20		x1
21		x1
22		x1
28		x2


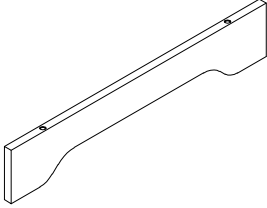
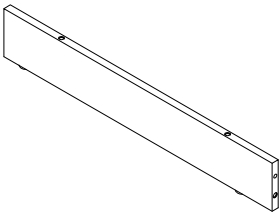
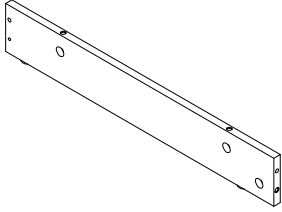
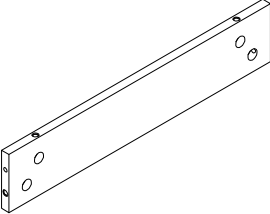
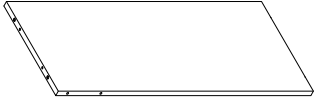
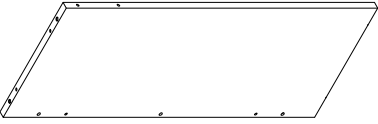
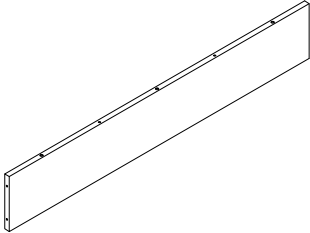
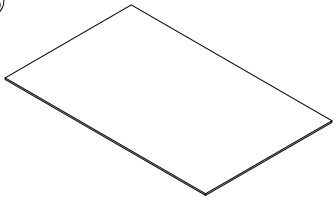
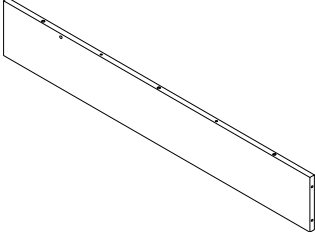
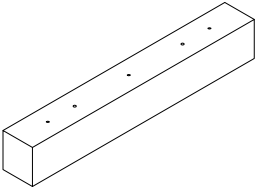
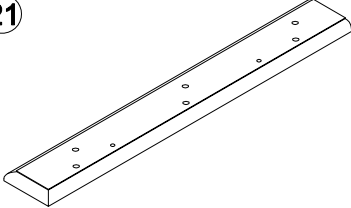
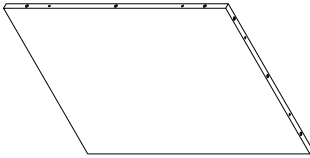
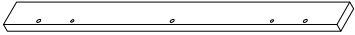
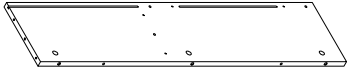




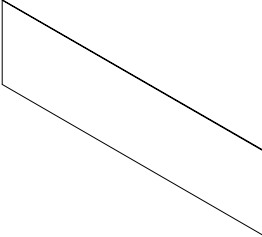
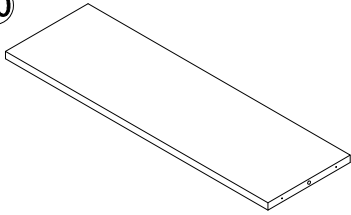
NO.	PARTS	QTY
30		x1
35		x1
36		x2
41		x1
45		x1
	 Hardware box	x1

ASSEMBLY INSTRUCTIONS

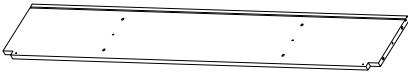
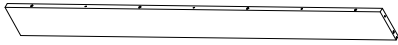


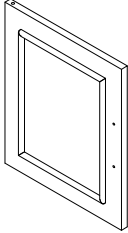
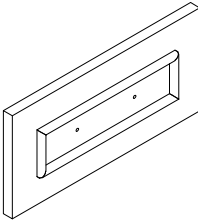
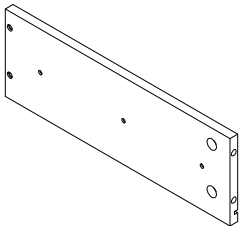
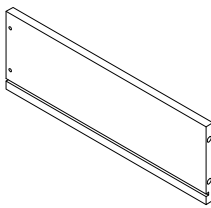
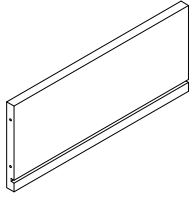
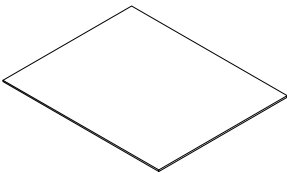
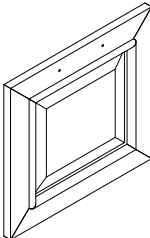
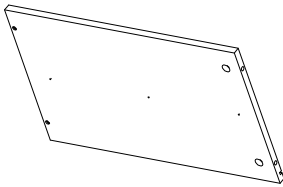
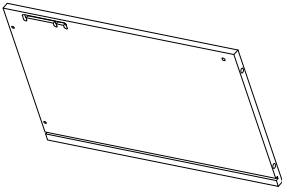
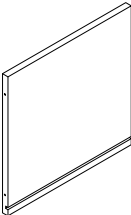
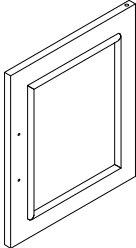
A x80+6  Ø6x30mm	B x78+3  Ø6x35mm	C x54+2  Ø7xØ3.5x12mm	D x78+3  Ø15x10mm	E x34+2  Ø8xØ4x35mm
F x4  L=340	G x2  L=450	H x2  	I x4  Ø6xØ3x16mm	J x40+2  Ø7x38mm
K x8  	L x7+1  M6x32mm	M x22+1  Ø6xØ3x16mm	N x22+1  	O x5 
P x10+1  M4x18mm	Q x1  	R x1  M4	S x20  	T x4 
U x1  	V x2  	W x1  	X x1  	Y x2  Ø8 x Ø4x35mm Ø8 x Ø4x12mm

1  x1	2  x1	3  x1
4  x1	5  x3	6  x1
7  x2	8  x4	9  x2

ASSEMBLY INSTRUCTIONS

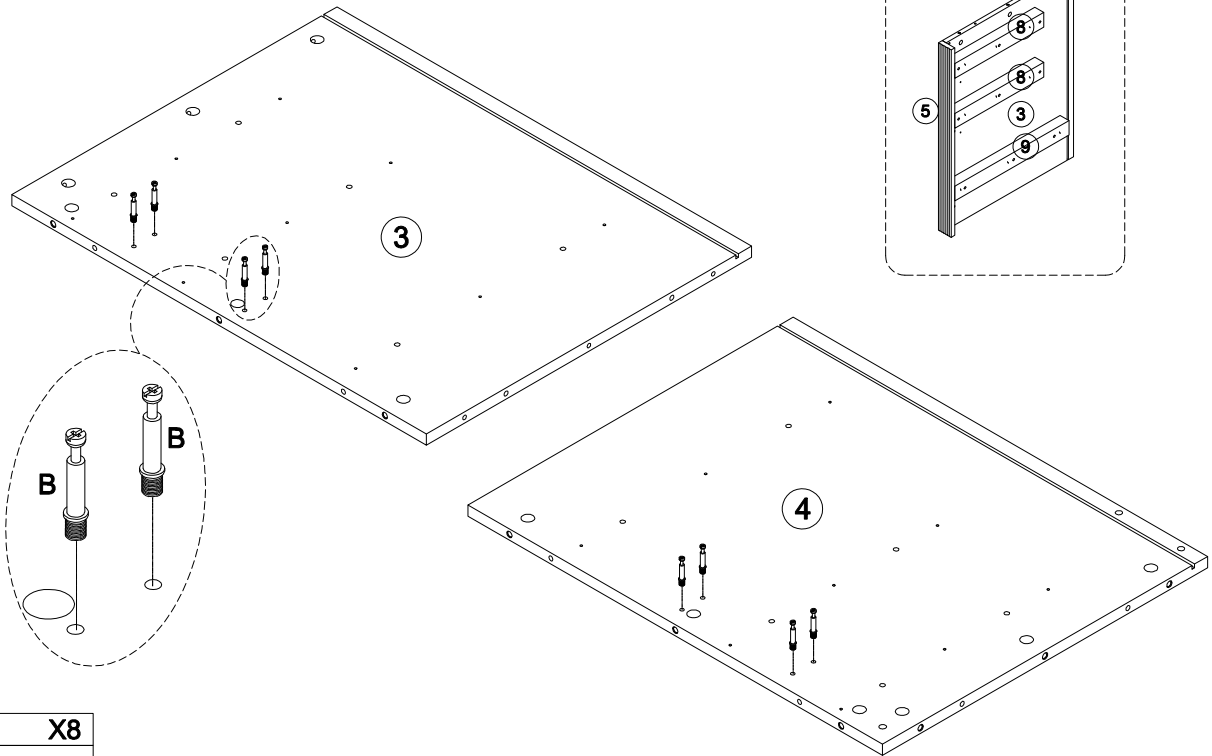
10  x1	11  x1	12  x1
13  x1	14  x1	15  x1
16  x1	17  x1	18  x1
19  x1	20  x1	21  x1
22  x1	23  x1	24  x1
25  x1	26  x2	27  x1
28  x2	29  x1	30  x1

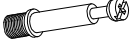
ASSEMBLY INSTRUCTIONS

<p>31</p>  <p>x1</p>	<p>32</p>  <p>x1</p>	<p>33</p>  <p>x1</p>
<p>34</p>  <p>x1</p>	<p>35</p>  <p>x1</p>	<p>36</p>  <p>x2</p>
<p>37</p>  <p>x2</p>	<p>38</p>  <p>x2</p>	<p>39</p>  <p>x2</p>
<p>40</p>  <p>x2</p>	<p>41</p>  <p>x1</p>	<p>42</p>  <p>x1</p>
<p>43</p>  <p>x1</p>	<p>44</p>  <p>x1</p>	<p>45</p>  <p>x1</p>

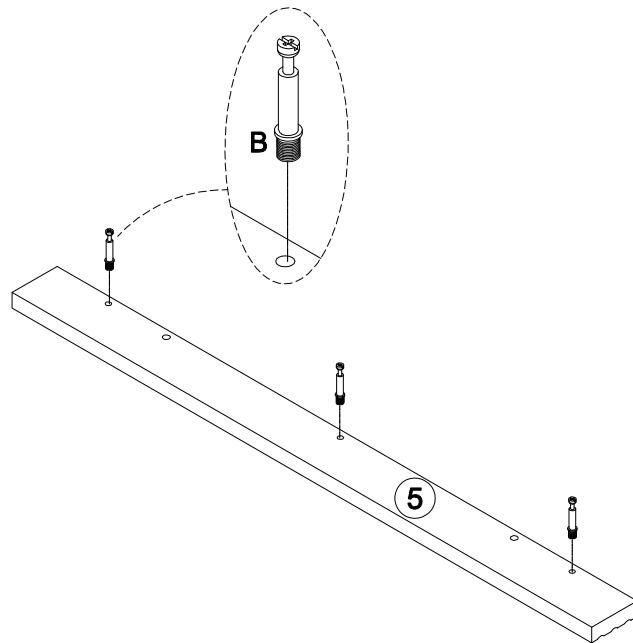
INSTALLATION INSTRUCTION

STEP 1

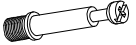


B	X8
	
Ø6x35mm	

STEP 2

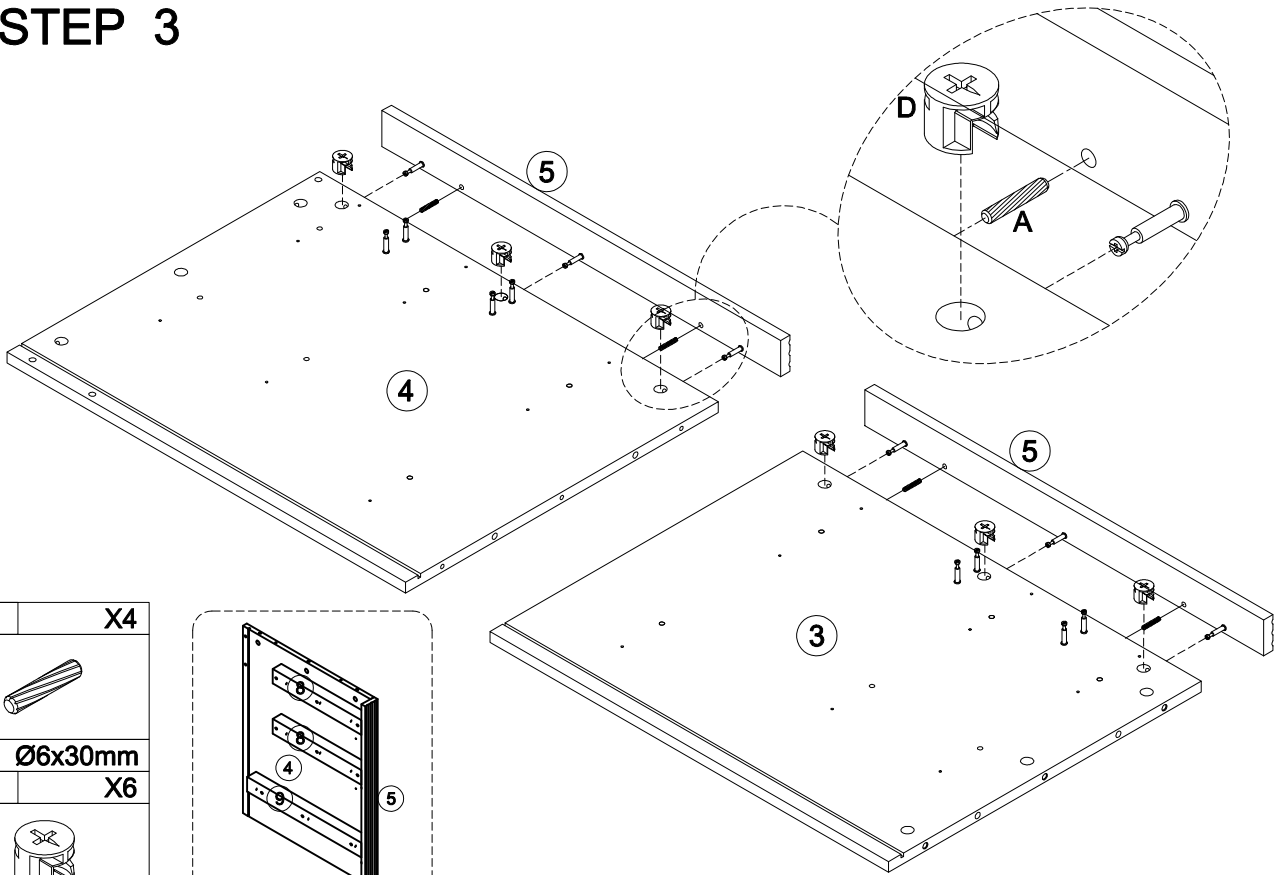


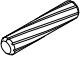

x3

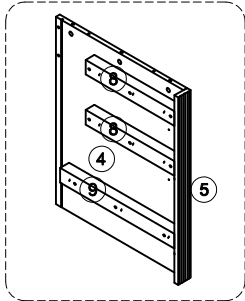
B	X9
	
Ø6x35mm	

INSTALLATION INSTRUCTION

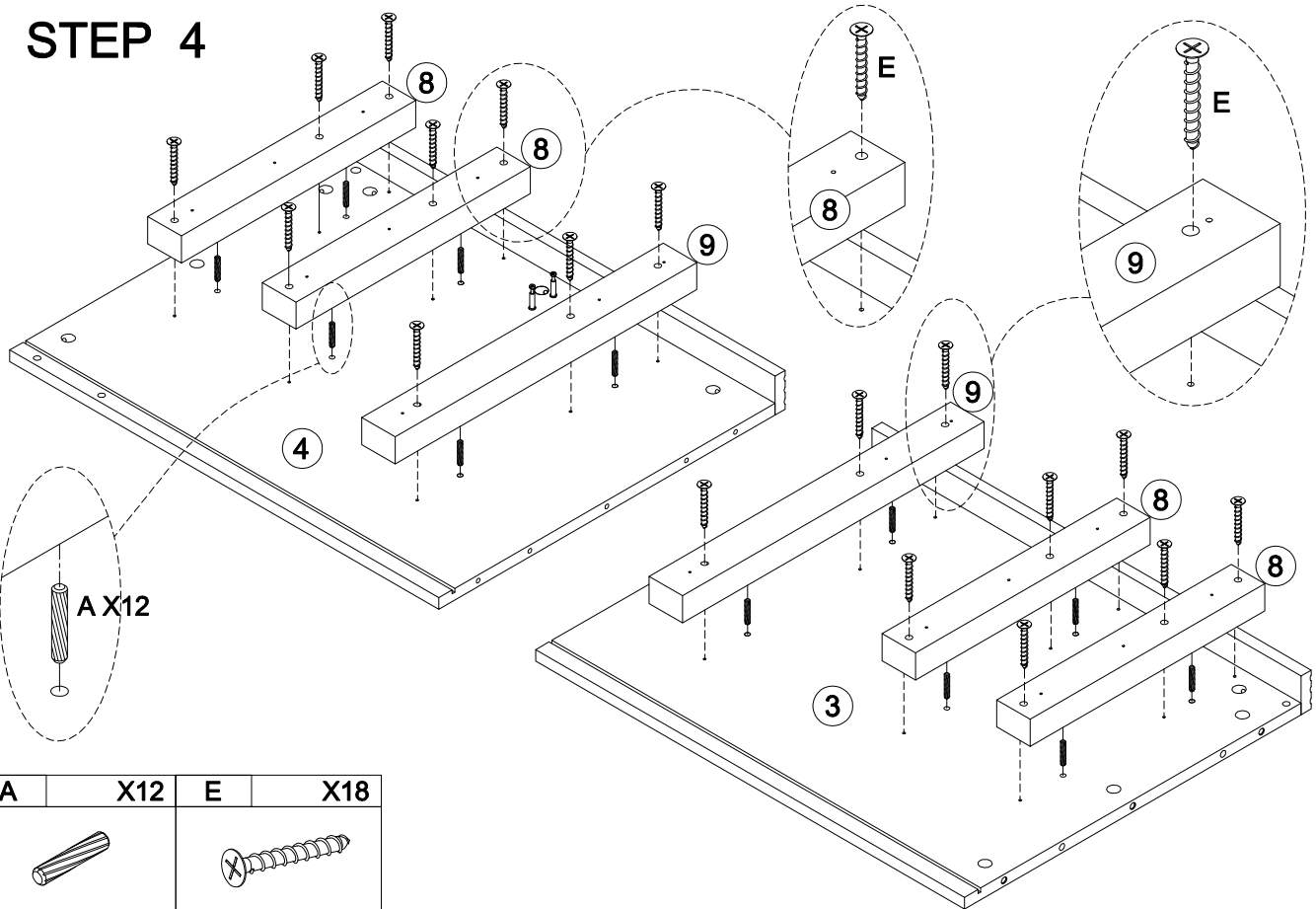
STEP 3

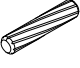
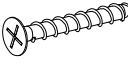


A	X4
	
Ø6x30mm	
D	X6
	
Ø15x10mm	



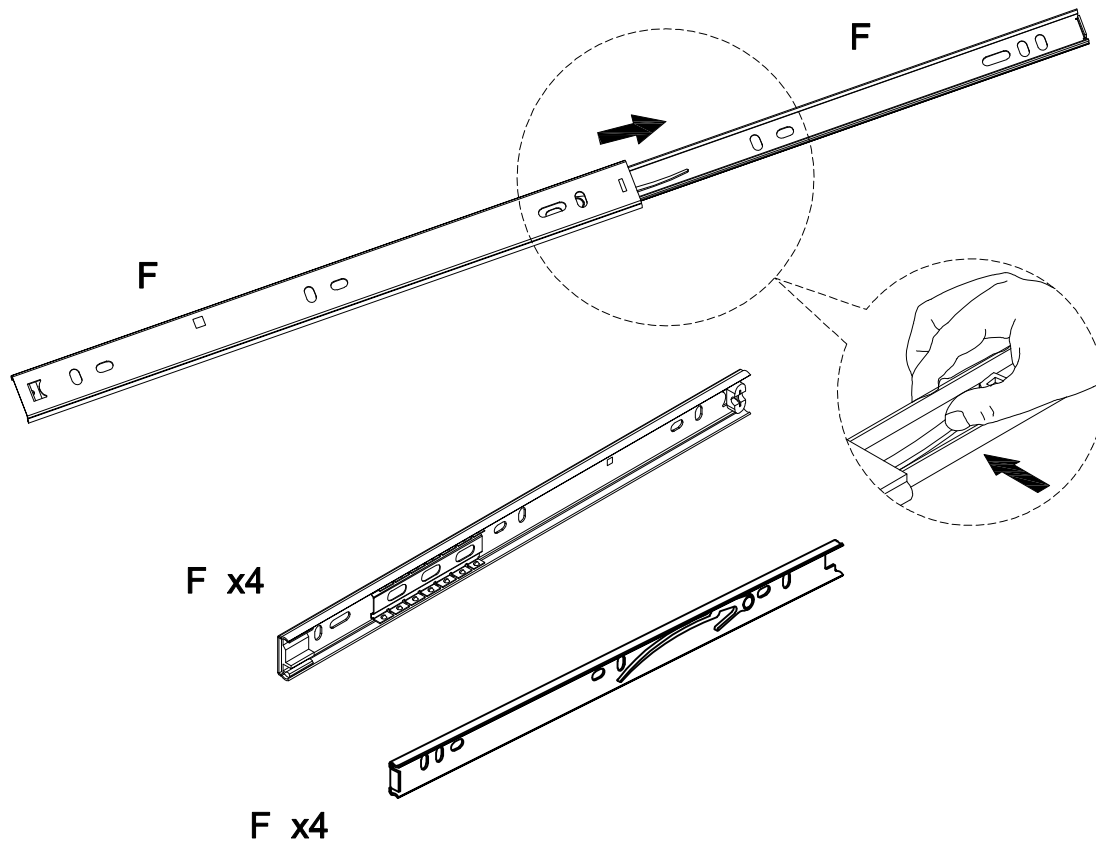
STEP 4



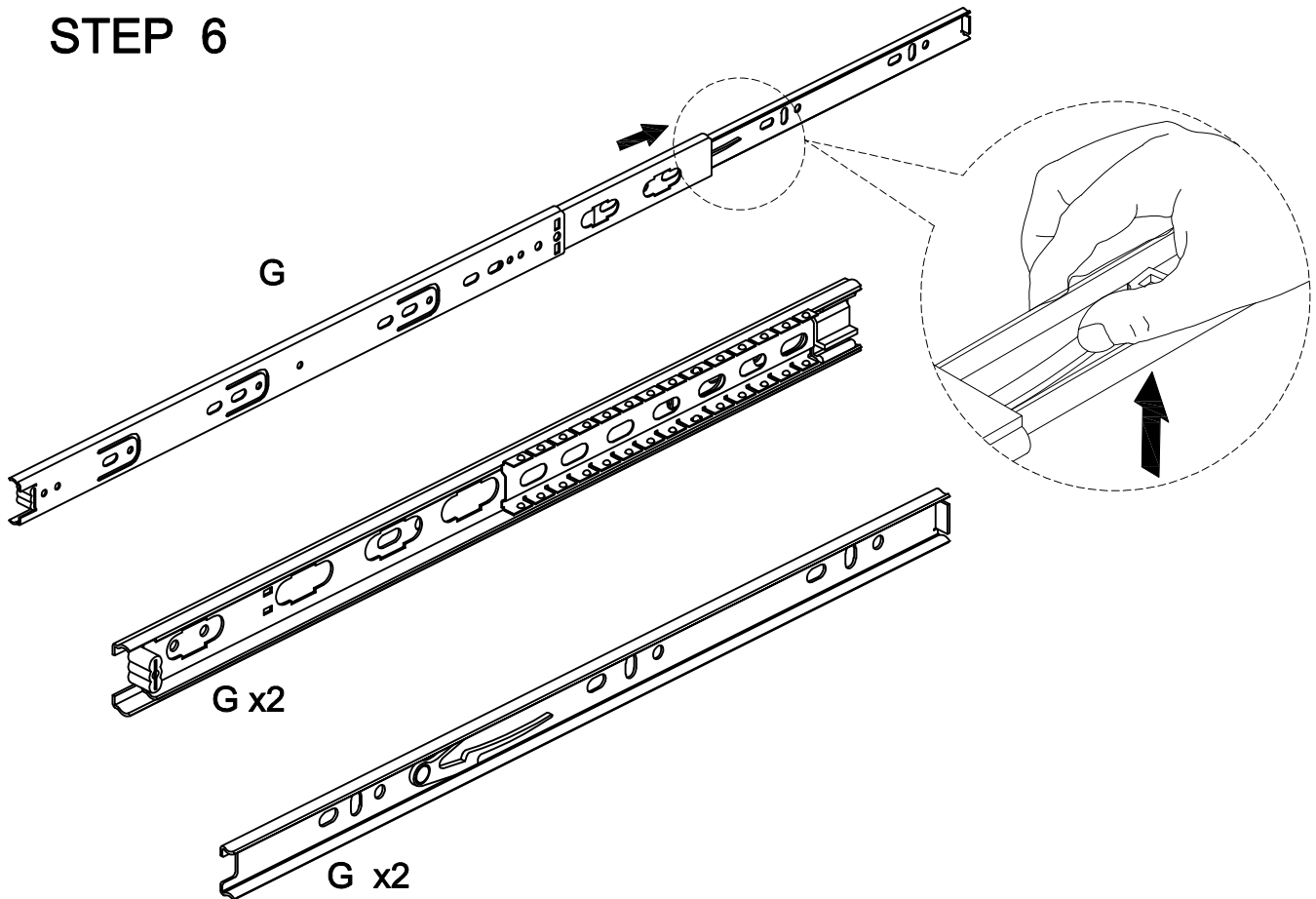
A	X12	E	X18
			
Ø6x30mm		Ø8xØ4x35mm	

INSTALLATION INSTRUCTION

STEP 5

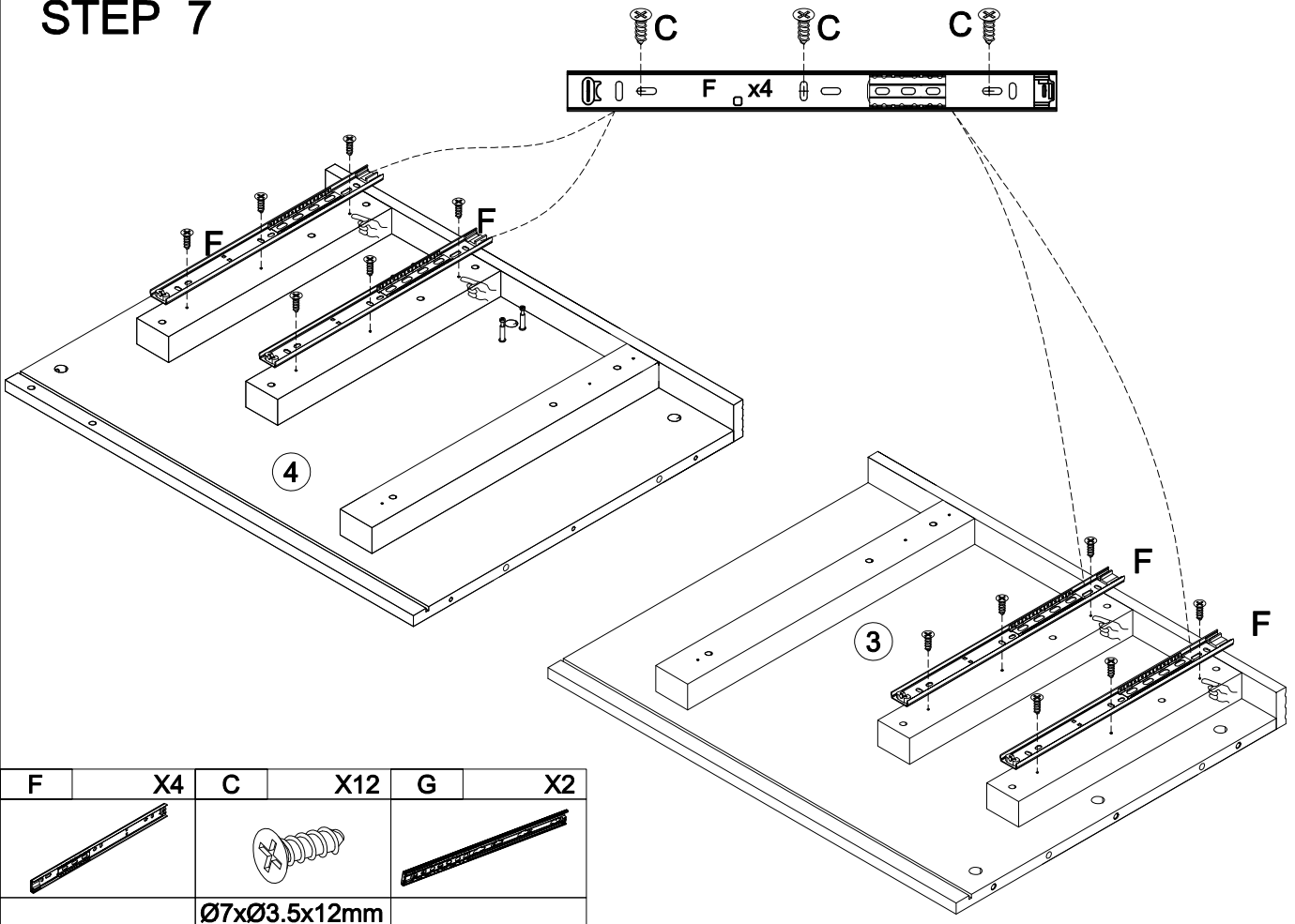


STEP 6



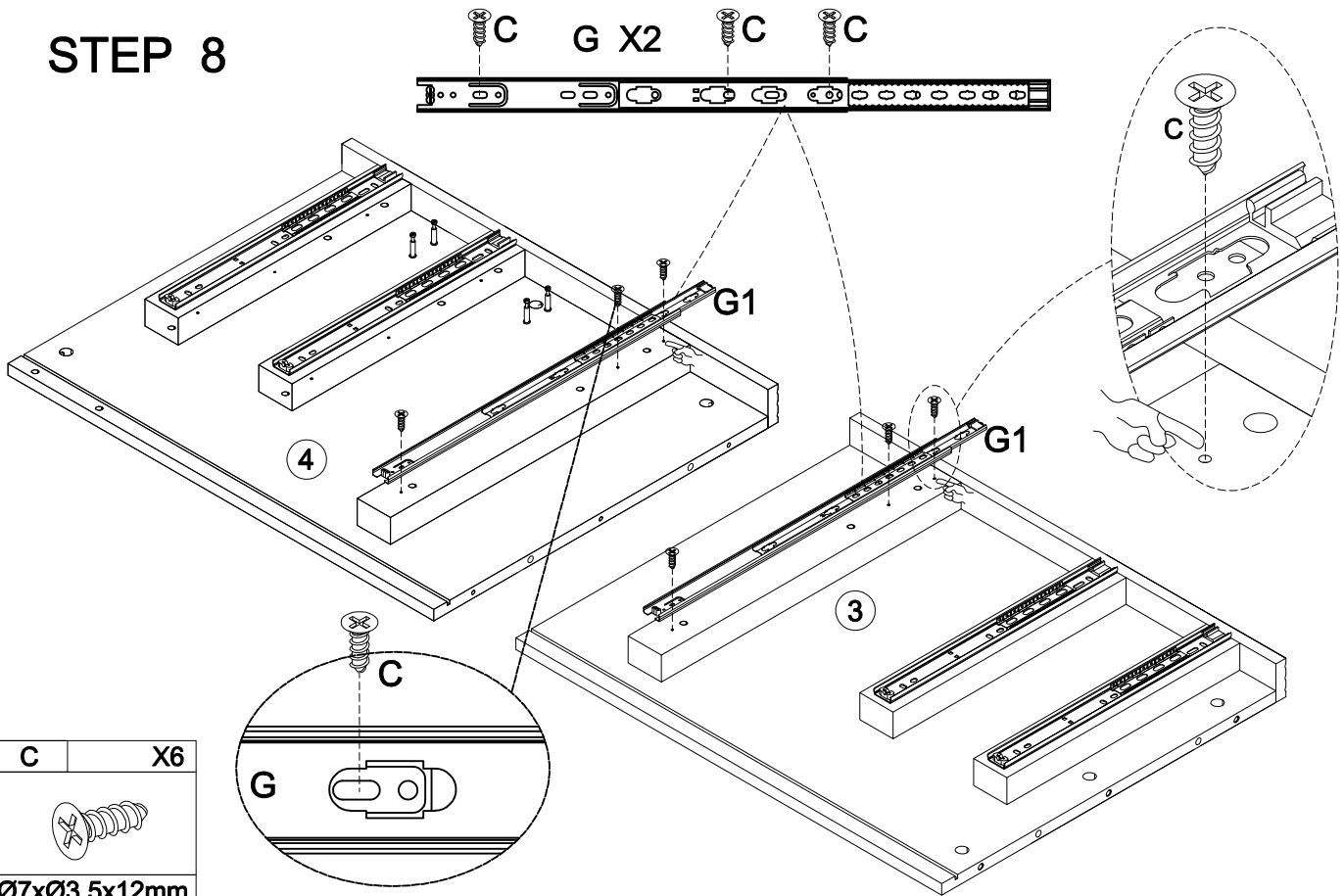
INSTALLATION INSTRUCTION

STEP 7



F	X4	C	X12	G	X2
Ø7xØ3.5x12mm					

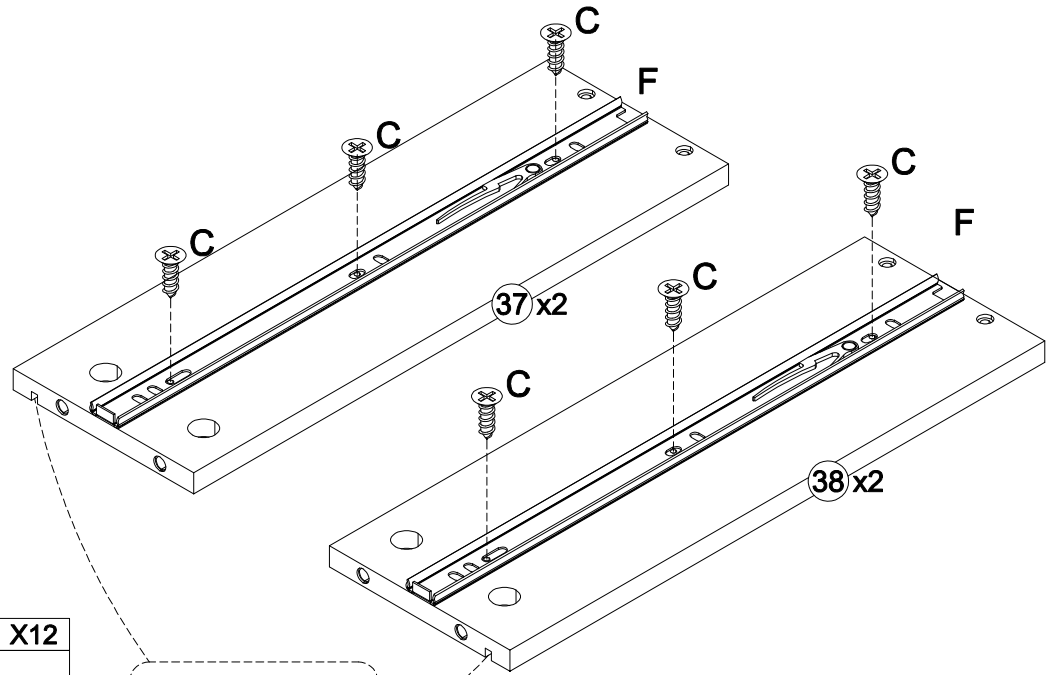
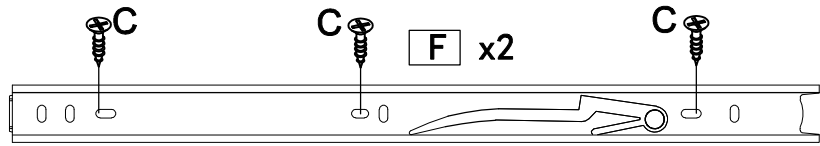
STEP 8



C	X6
Ø7xØ3.5x12mm	

INSTALLATION INSTRUCTION

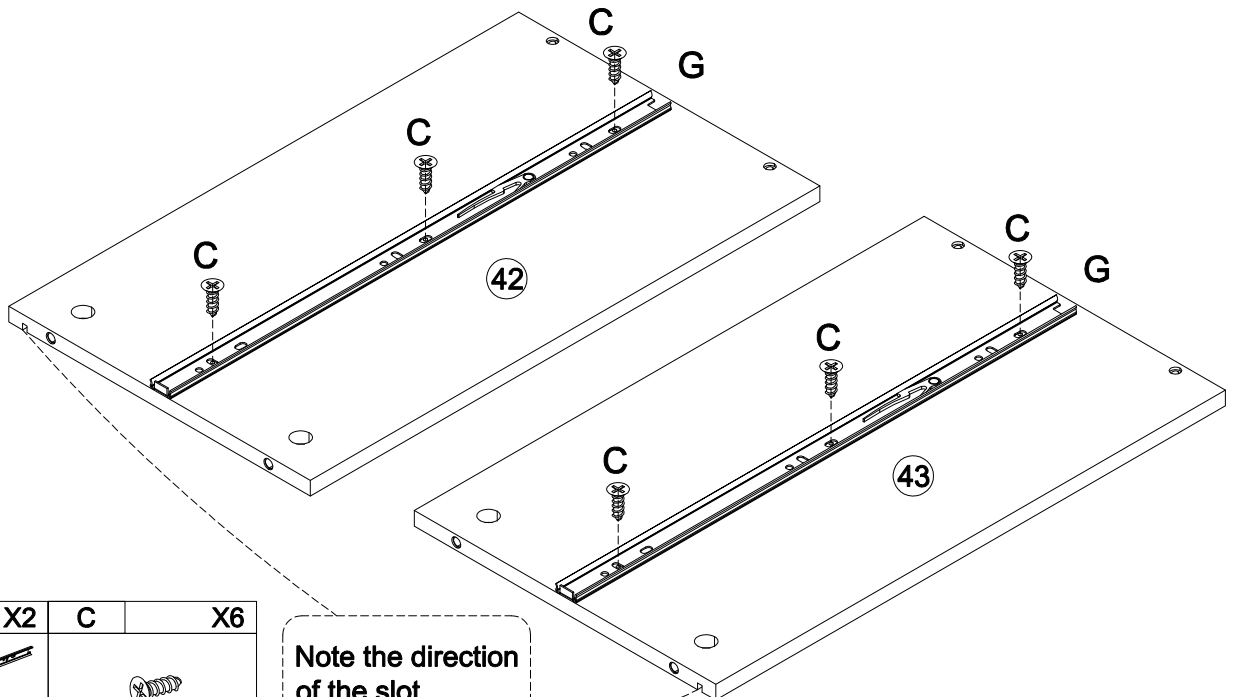
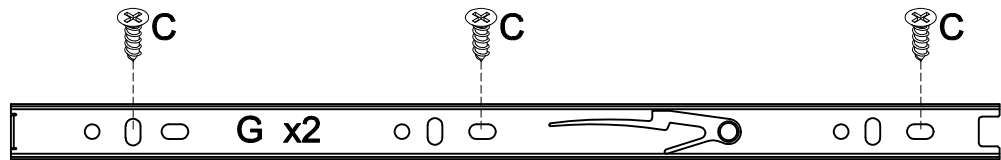
STEP 9



F	X4	C	X12
Ø7xØ3.5x12mm			

Note the direction of the slot

STEP 10

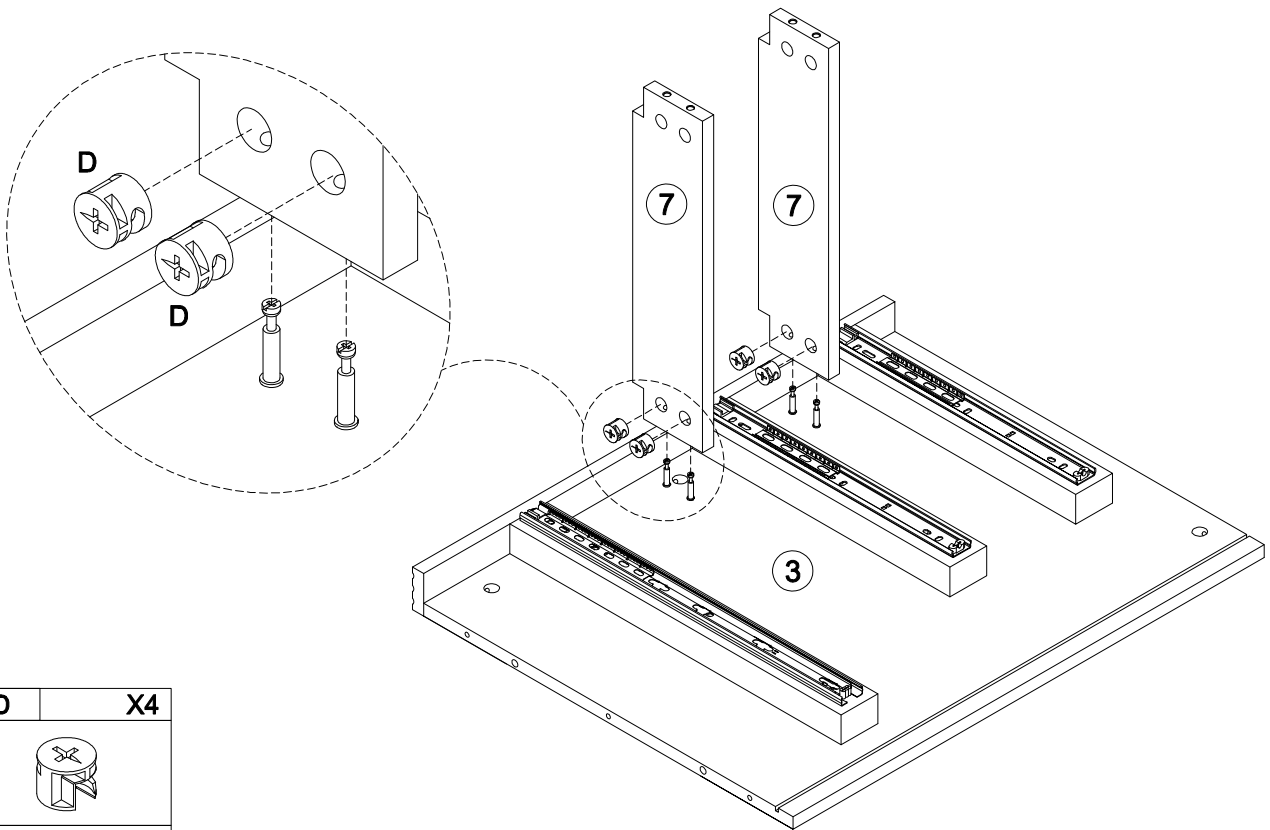


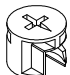
G	X2	C	X6
Ø7xØ3.5x12mm			

Note the direction of the slot

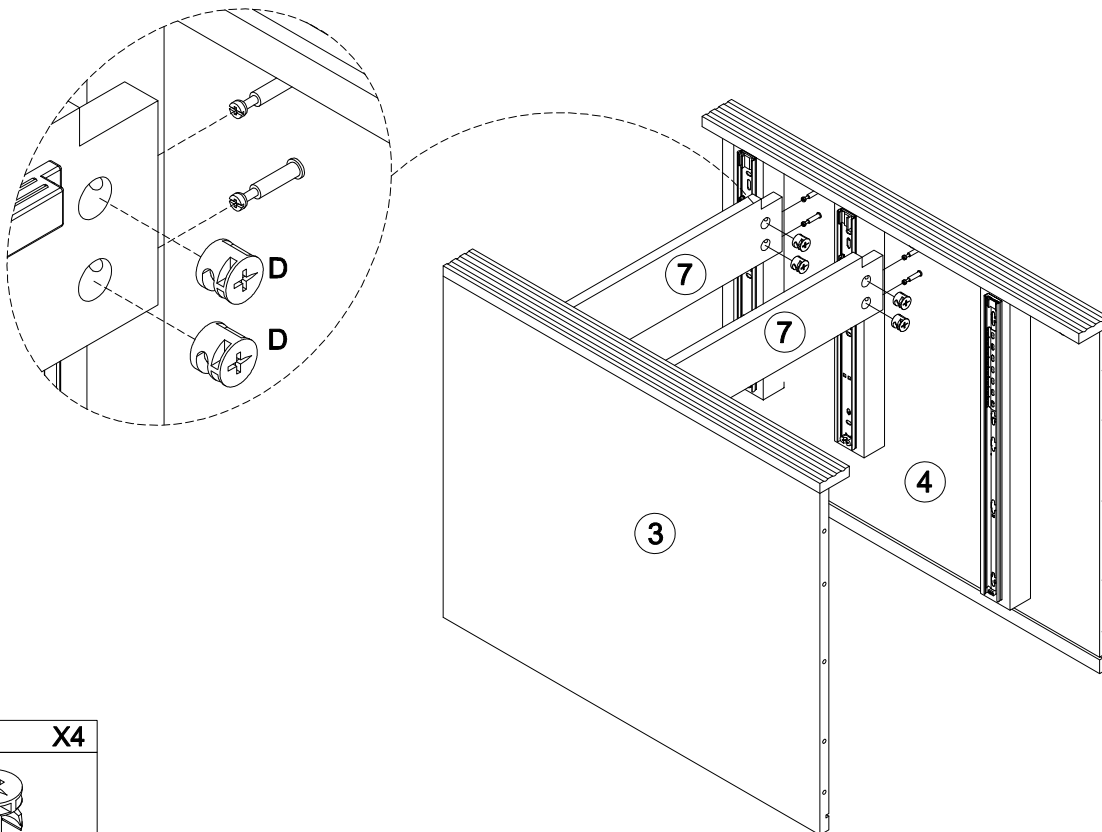
INSTALLATION INSTRUCTION

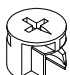
STEP 11



D	X4
	
Ø15x10mm	

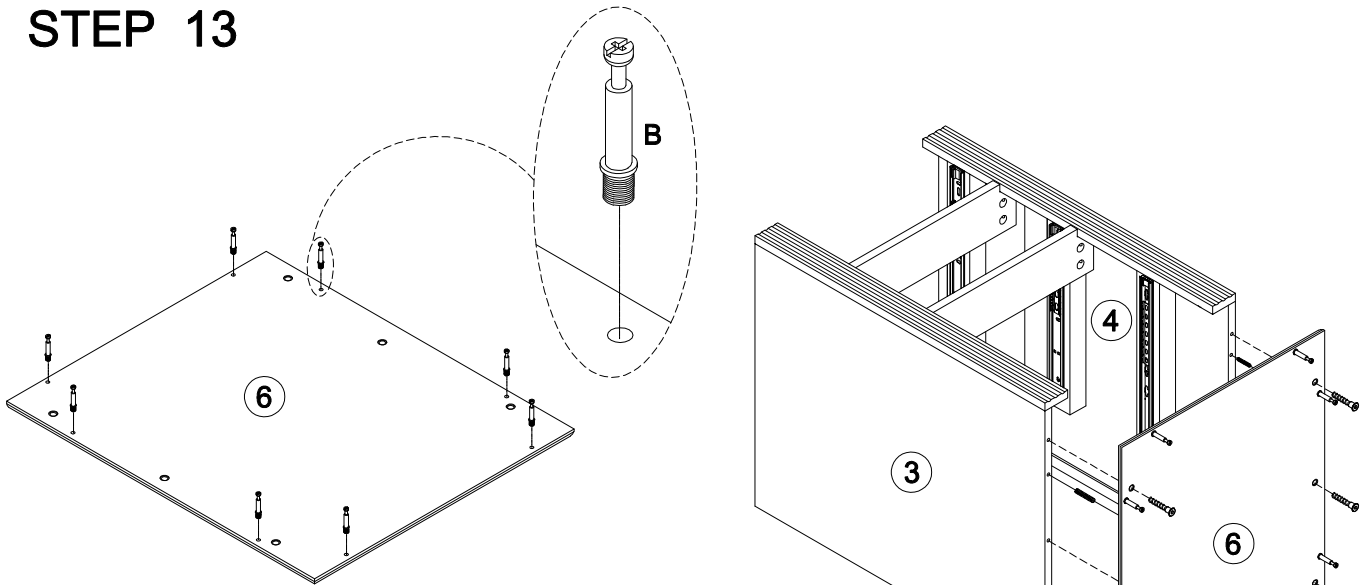
STEP 12

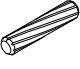
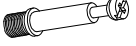



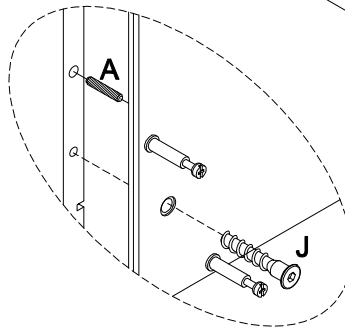
D	X4
	
Ø15x10mm	

INSTALLATION INSTRUCTION

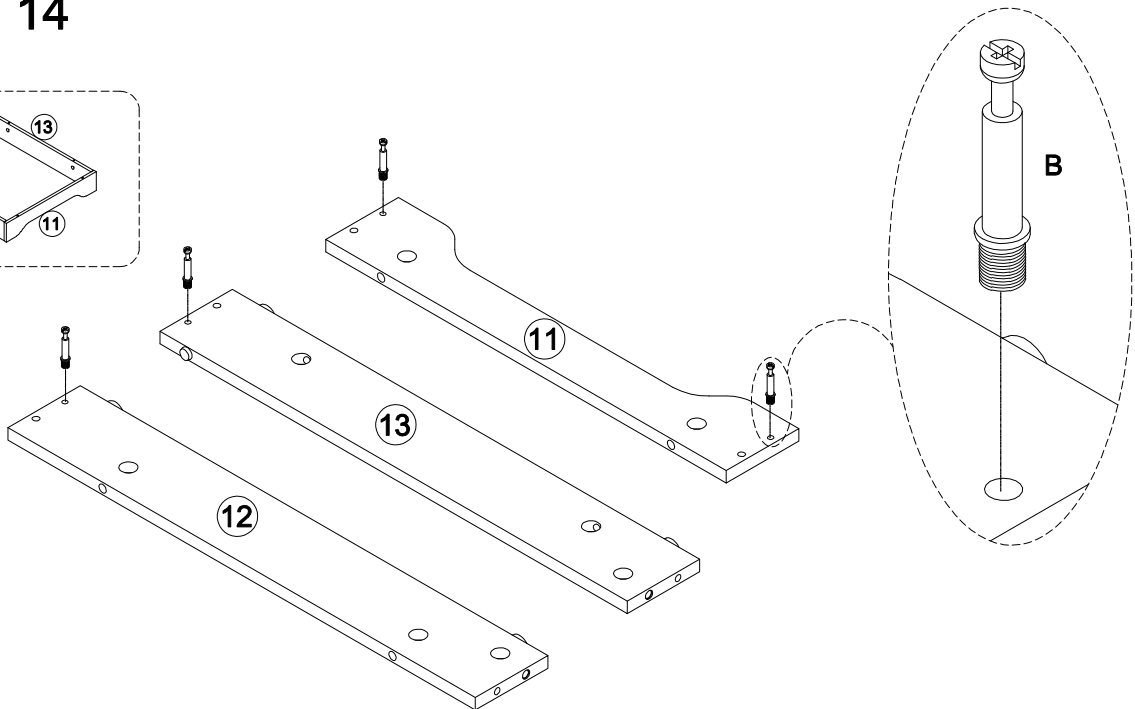
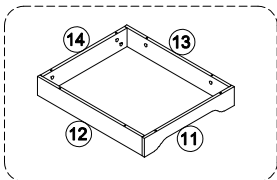
STEP 13

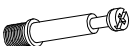


A	X4		
			
$\text{Ø}6 \times 30 \text{mm}$			
B	X8	J	X6
			
$\text{Ø}6 \times 35 \text{mm}$		$\text{Ø}7 \times 38 \text{mm}$	



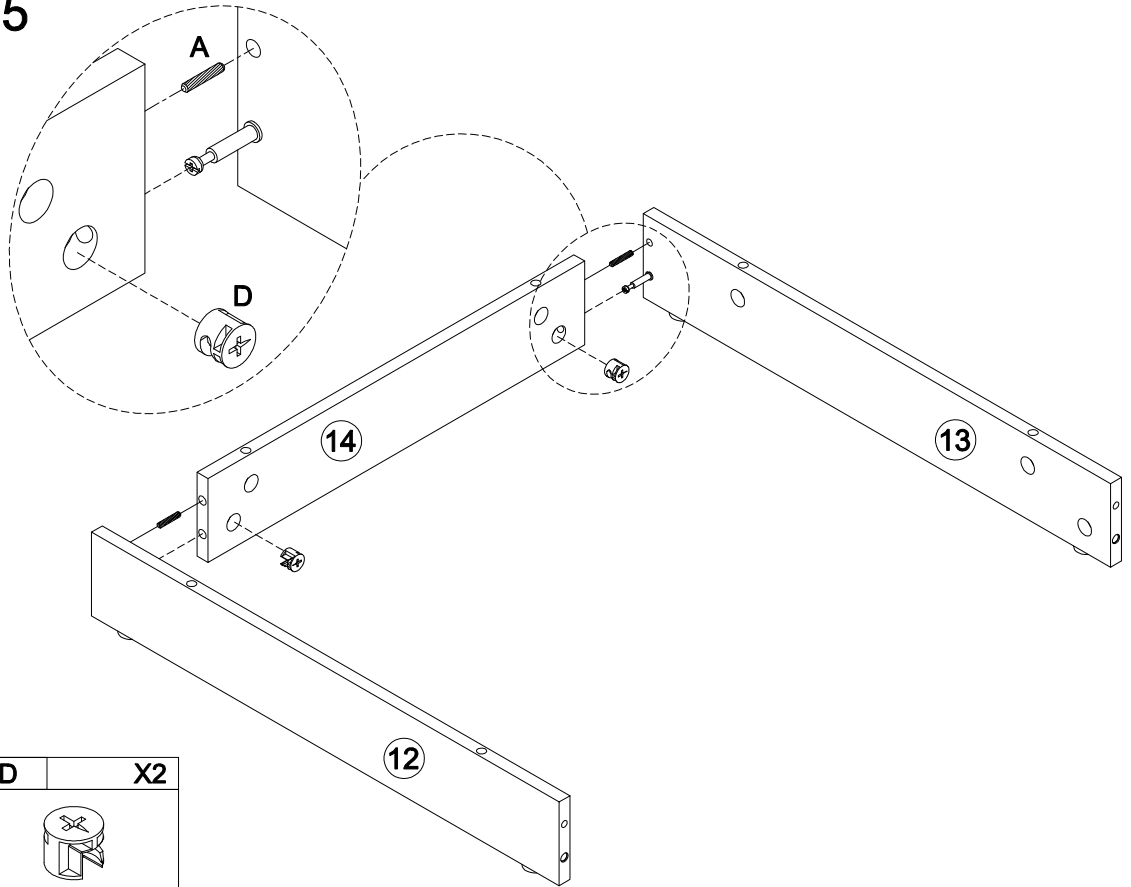
STEP 14

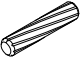



B	X4		
			
$\text{Ø}6 \times 35 \text{mm}$			

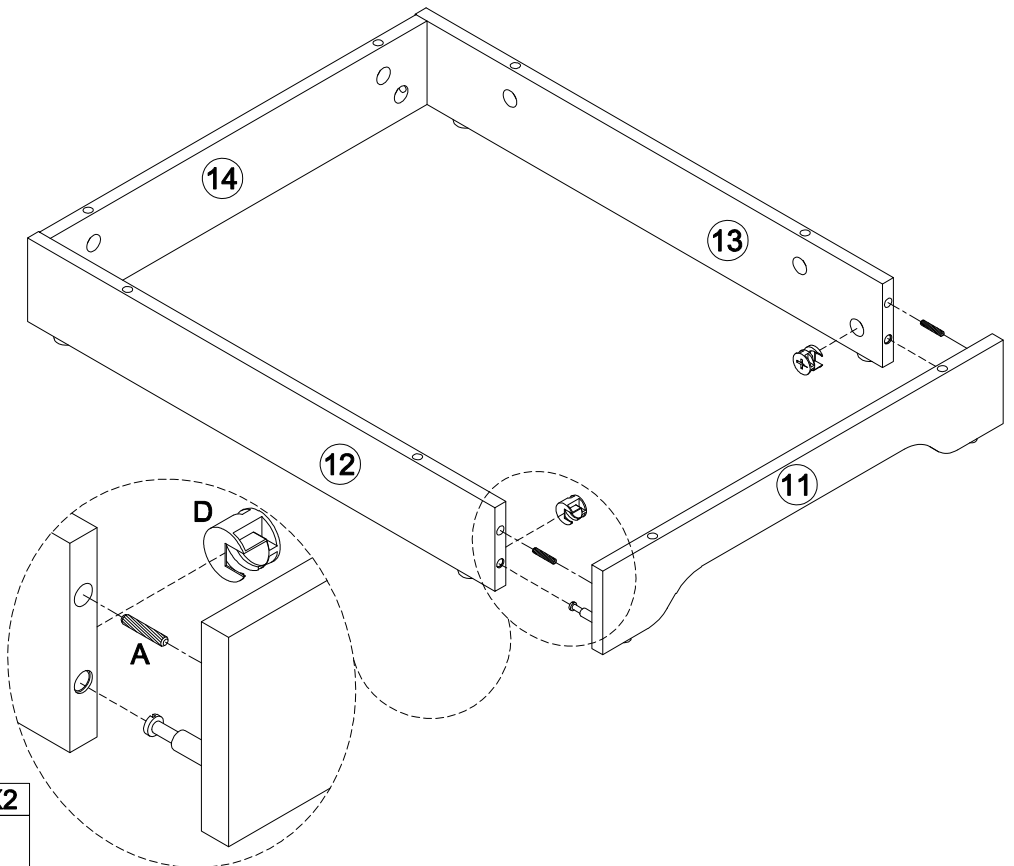
INSTALLATION INSTRUCTION

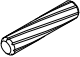

STEP 15



A	X2	D	X2
			
Ø6x30mm		Ø15x10mm	

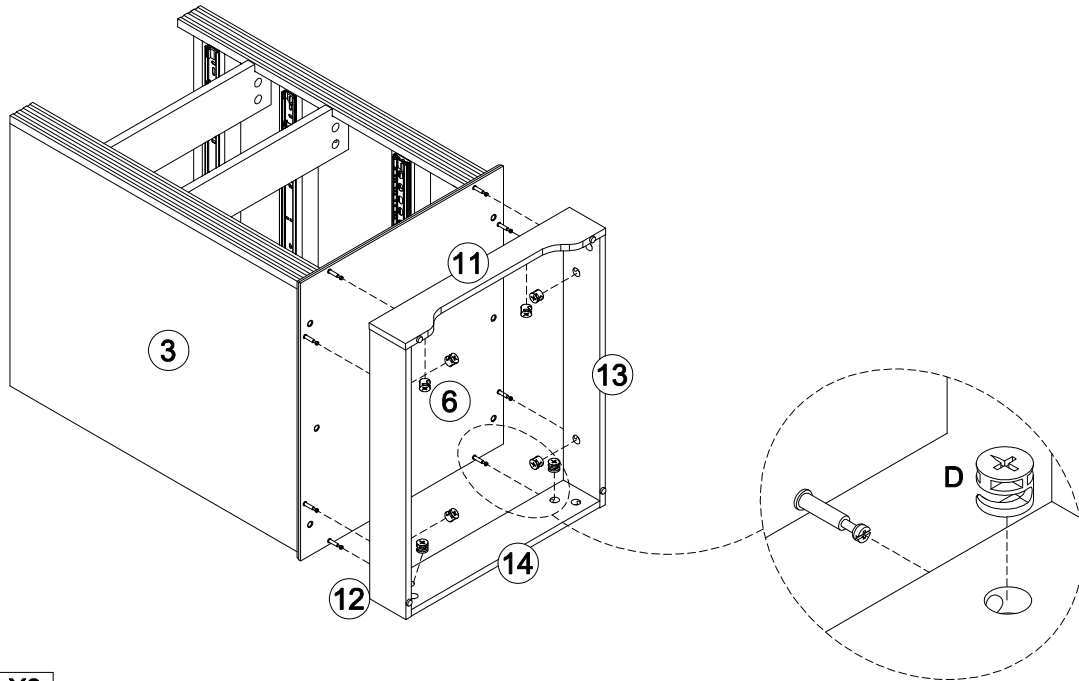
STEP 16



A	X2	D	X2
			
Ø6x30mm		Ø15x10mm	

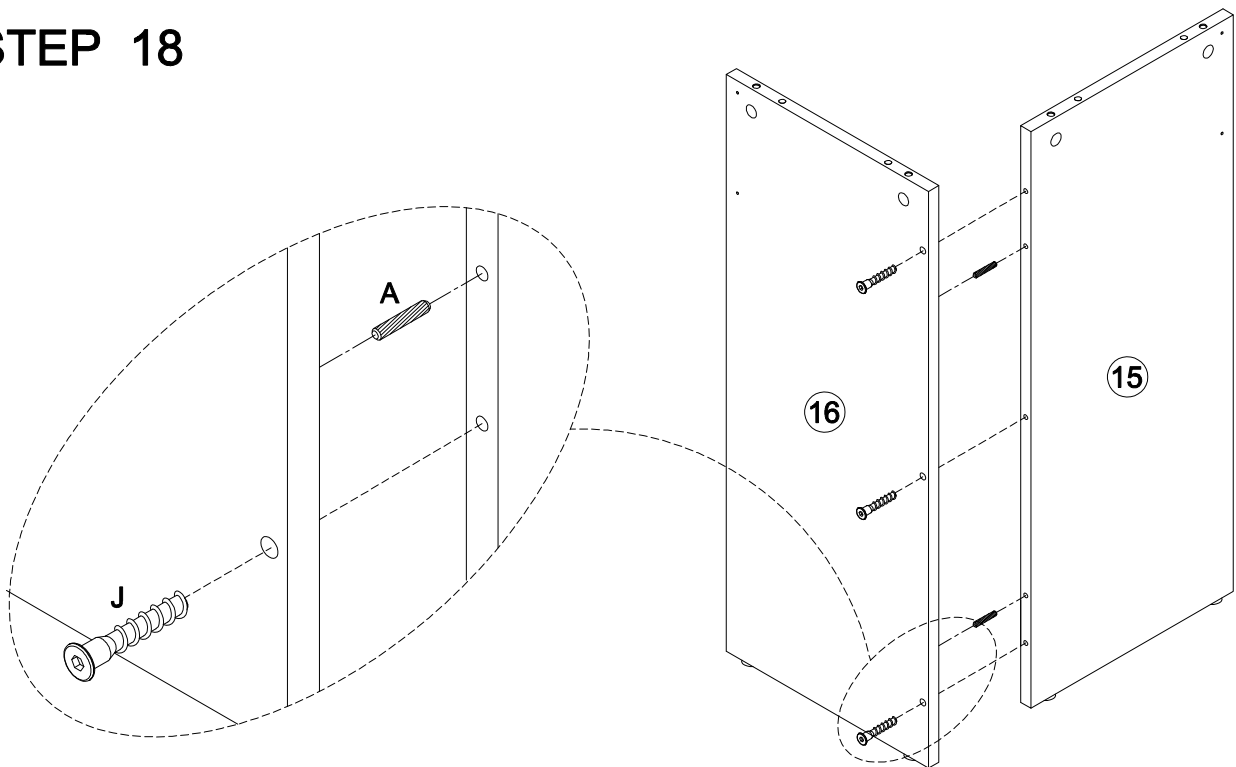
INSTALLATION INSTRUCTION

STEP 17



D	X8
$\text{Ø}15 \times 10 \text{mm}$	

STEP 18

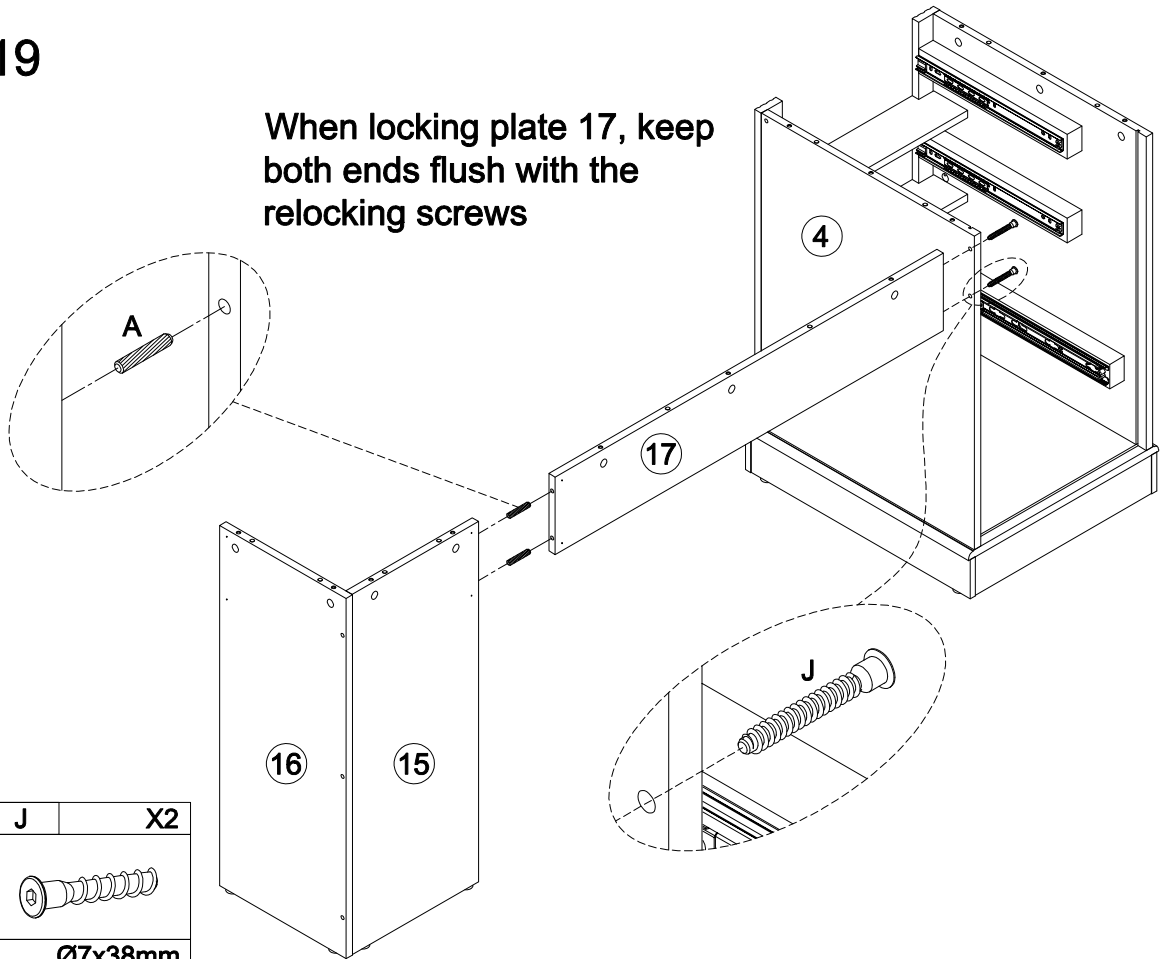


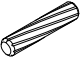

A	X2	J	X3
$\text{Ø}6 \times 30 \text{mm}$		$\text{Ø}7 \times 38 \text{mm}$	

INSTALLATION INSTRUCTION

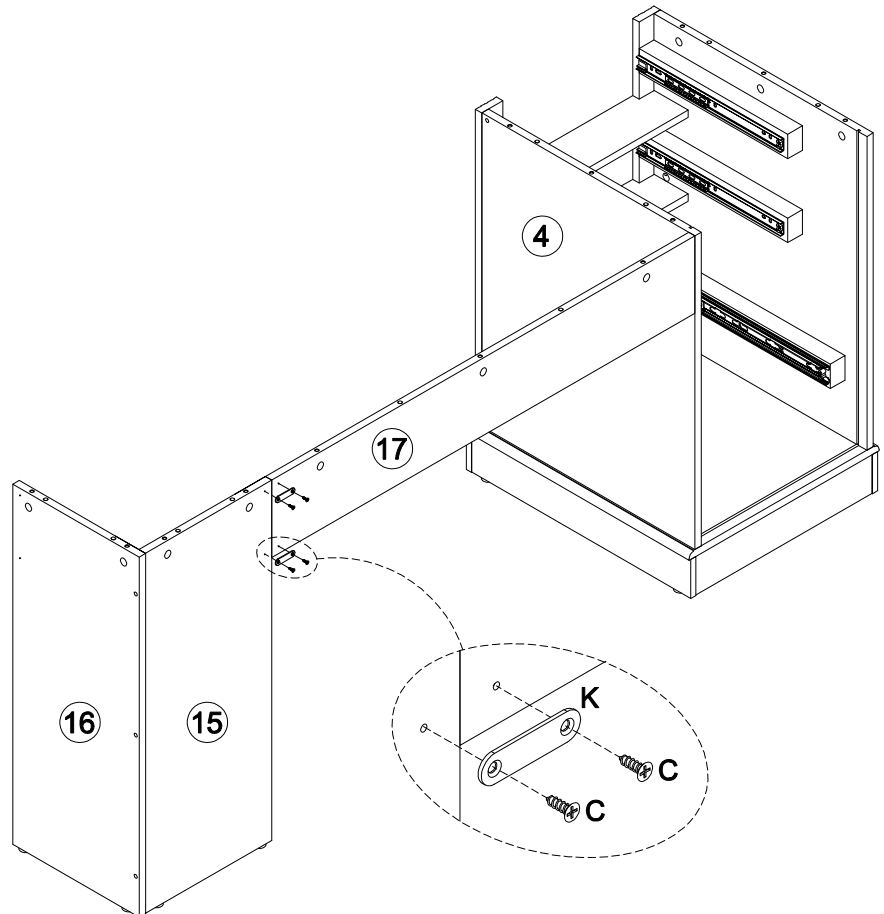
STEP 19



When locking plate 17, keep both ends flush with the relocking screws



A	X2	J	X2
			
Ø6x30mm		Ø7x38mm	

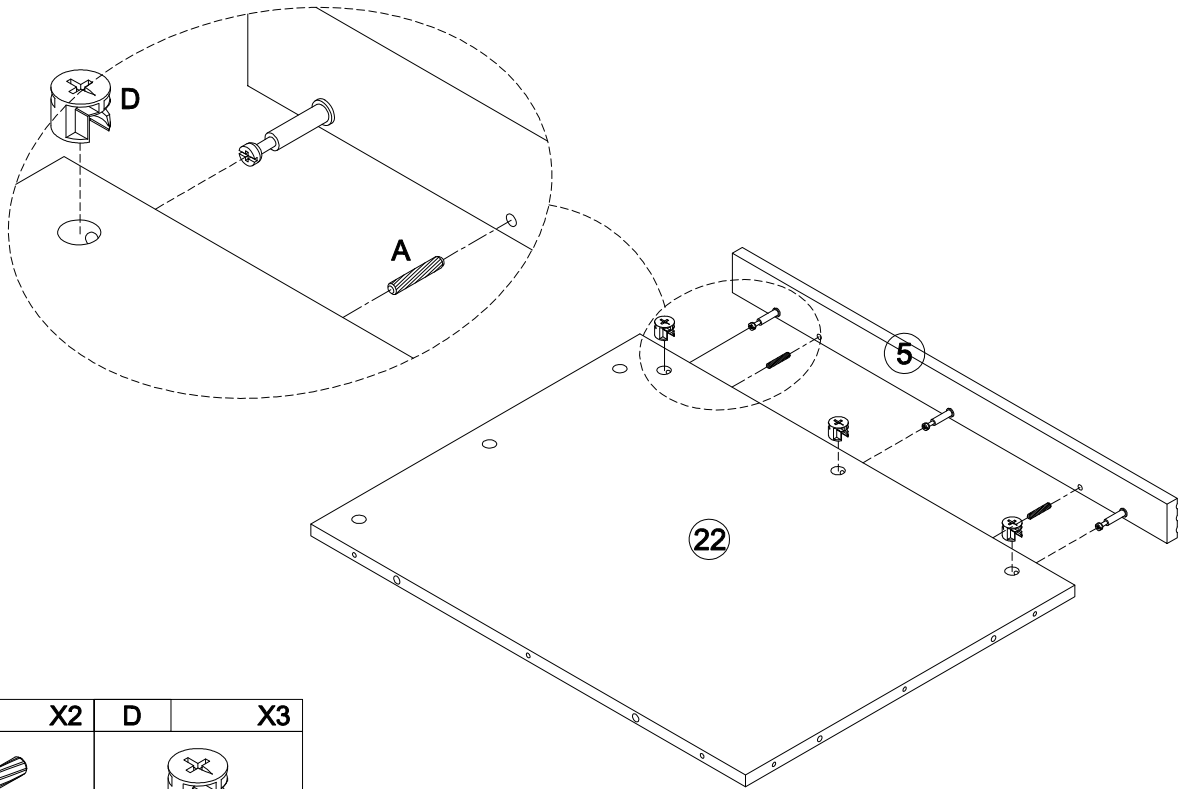
STEP 20

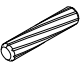



C	X4	K	X2
			
Ø6xØ3x12mm			

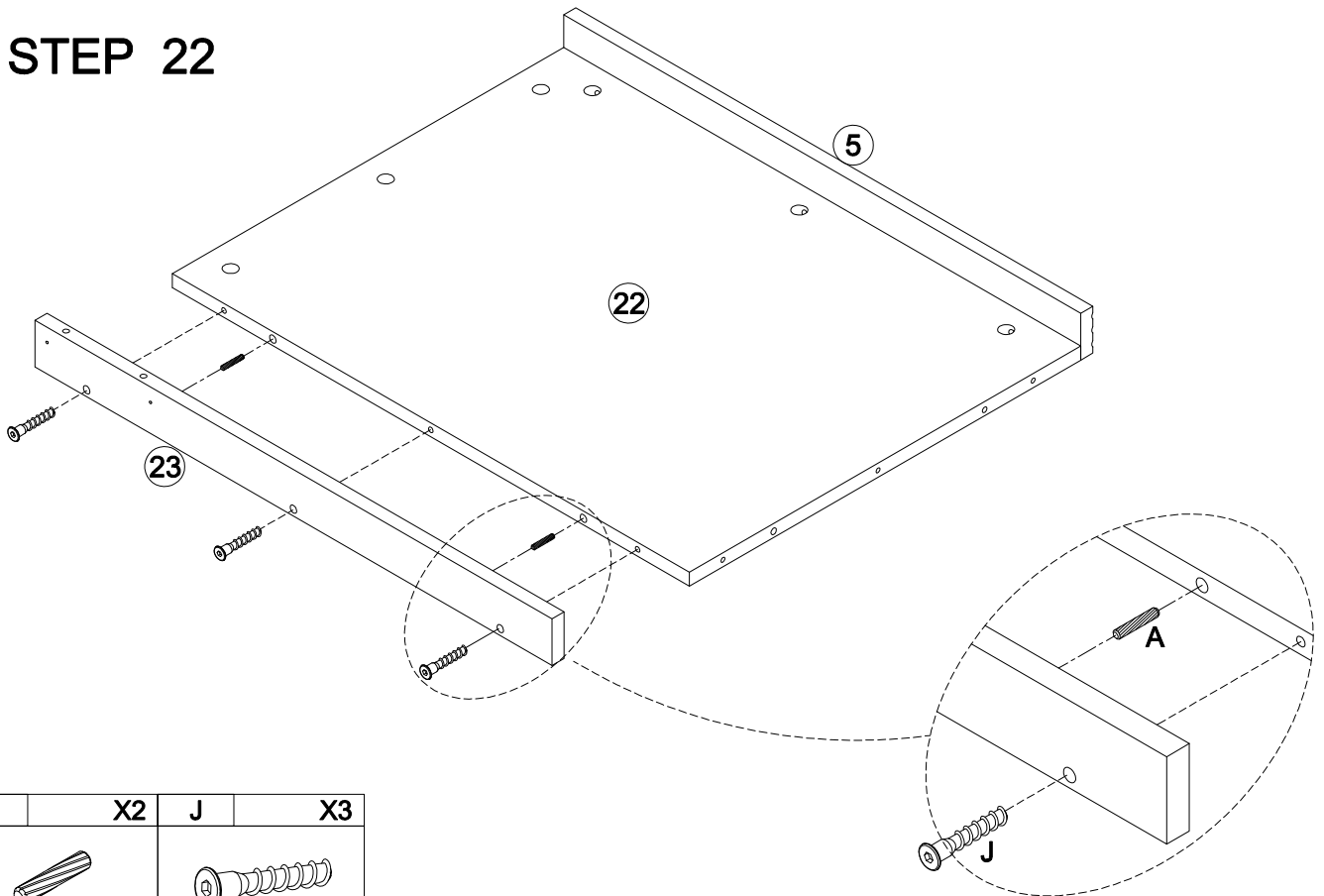
INSTALLATION INSTRUCTION

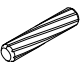
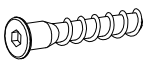
STEP 21



A	X2	D	X3
			
Ø6x30mm		Ø15x10mm	

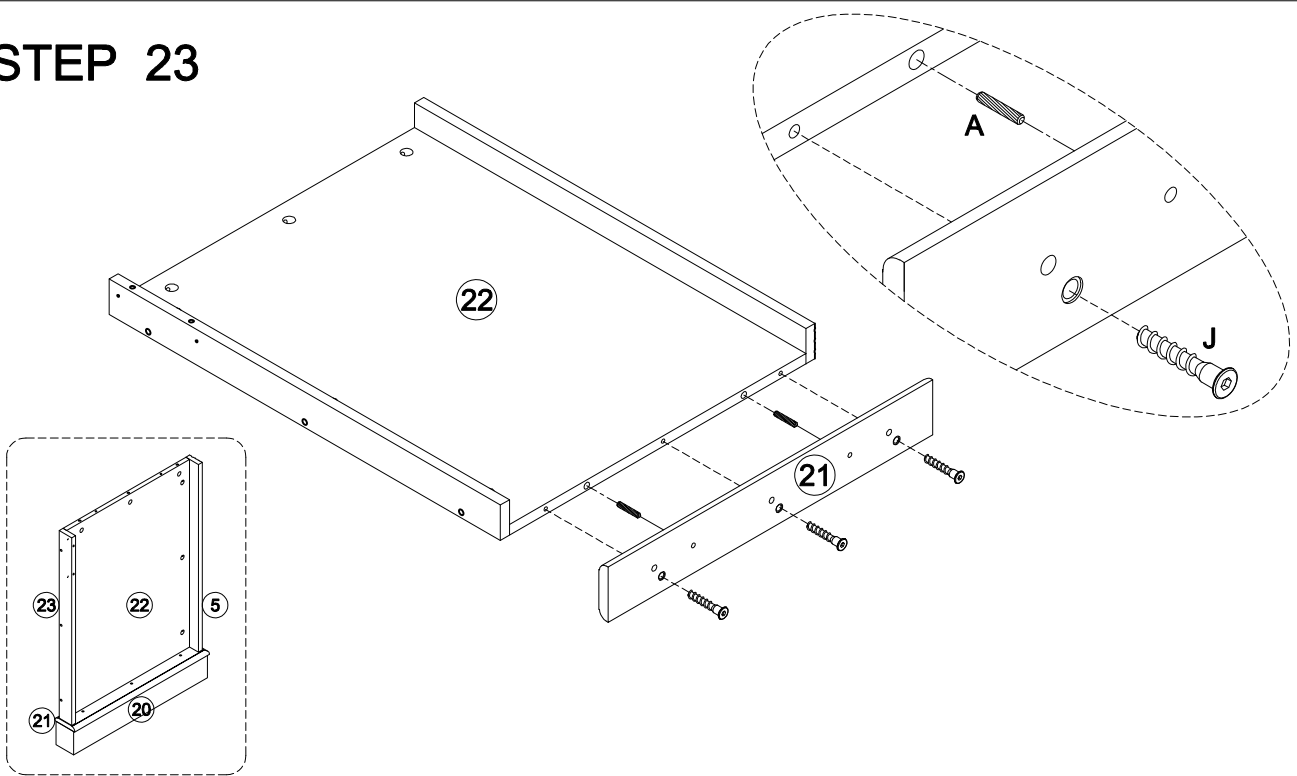
STEP 22

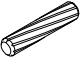



A	X2	J	X3
			
Ø6x30mm		Ø7x38mm	

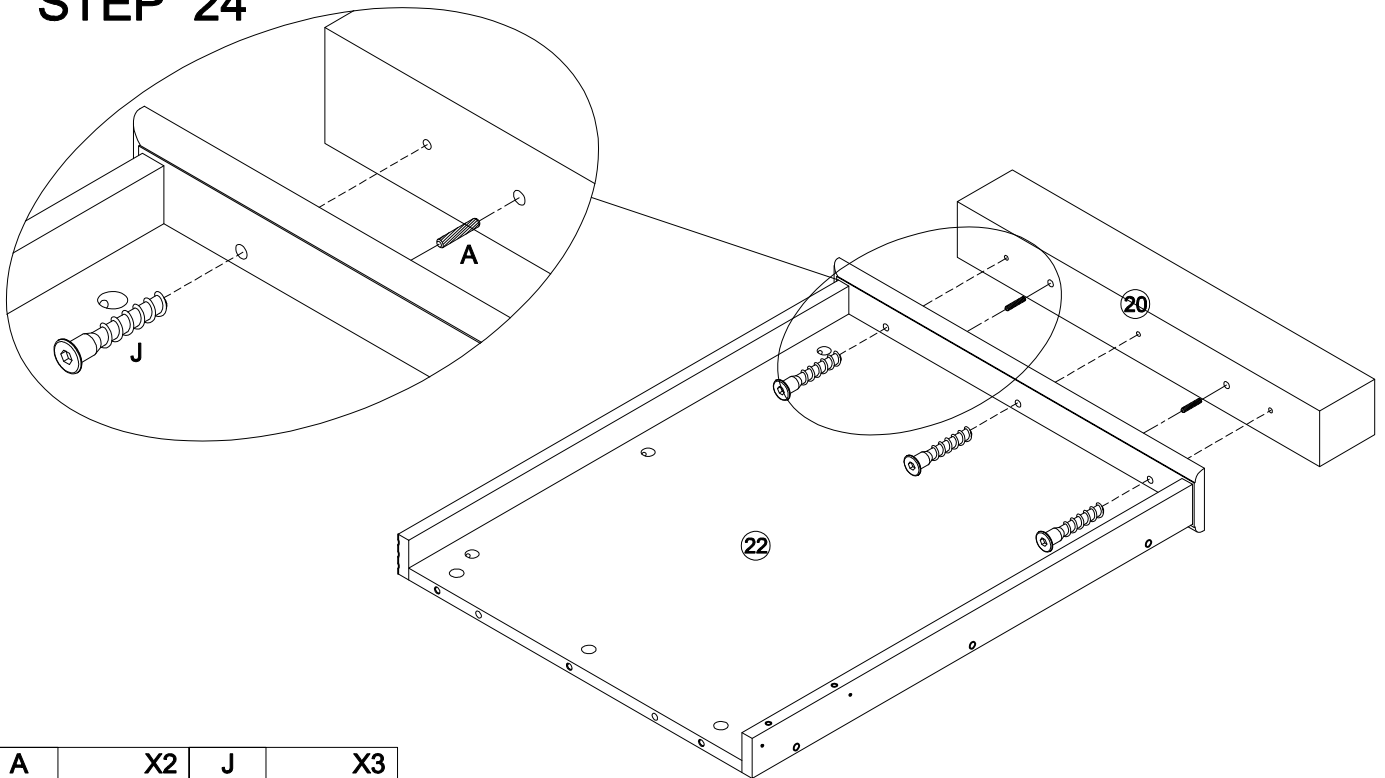
INSTALLATION INSTRUCTION

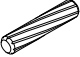

STEP 23



A	X2	J	X3
			
Ø6x30mm		Ø7x38mm	

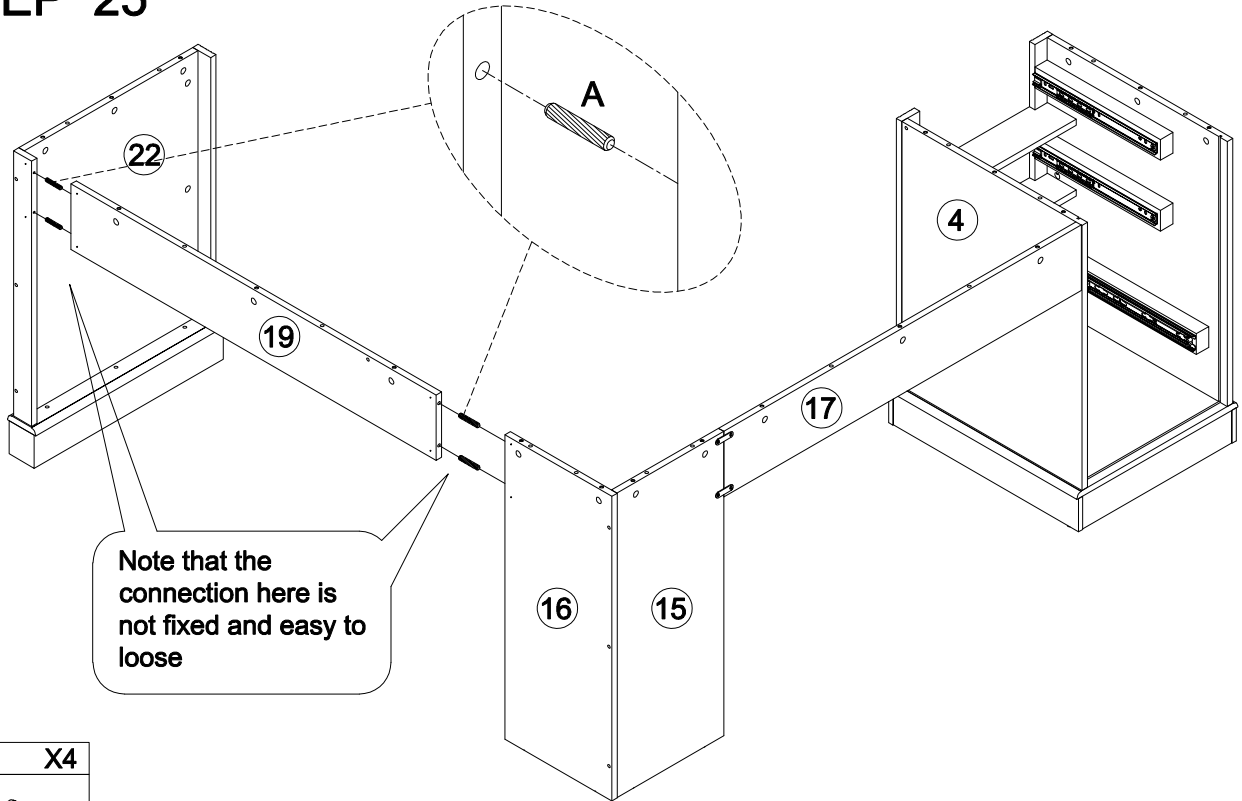
STEP 24

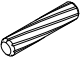


A	X2	J	X3
			
Ø6x30mm		Ø7x38mm	

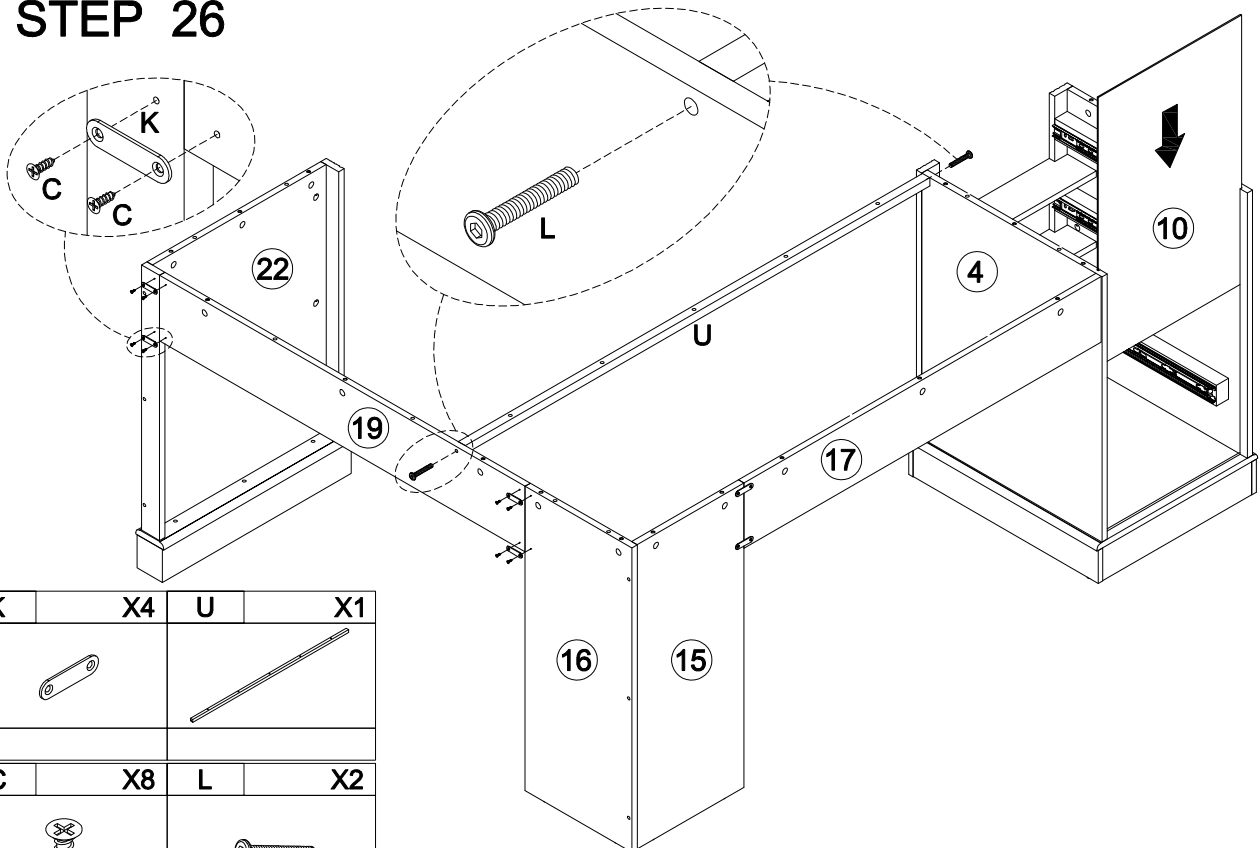
INSTALLATION INSTRUCTION


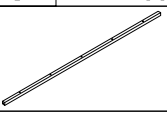


STEP 25



A	X4
	
Ø6x30mm	

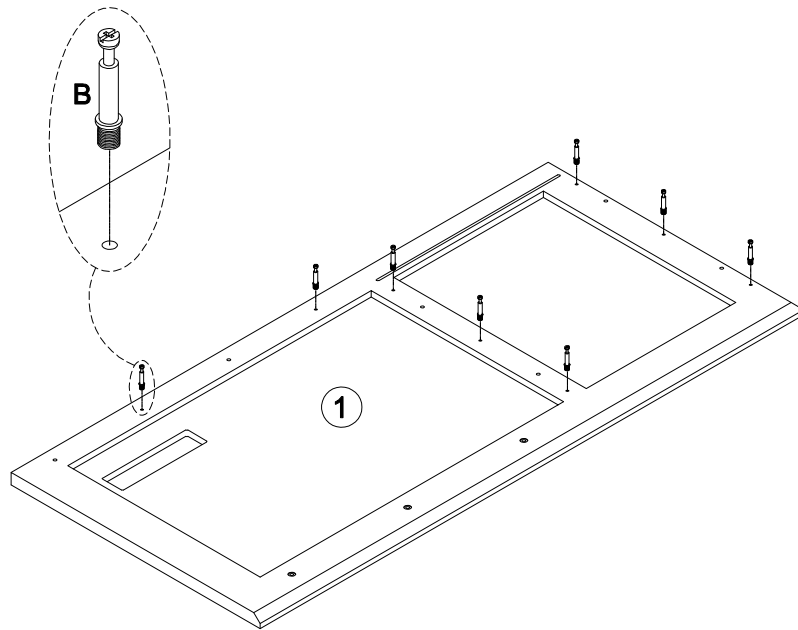
STEP 26

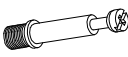


K	X4	U	X1
			
C	X8	L	X2
			
Ø7xØ3.5x12mm		M6x32mm	

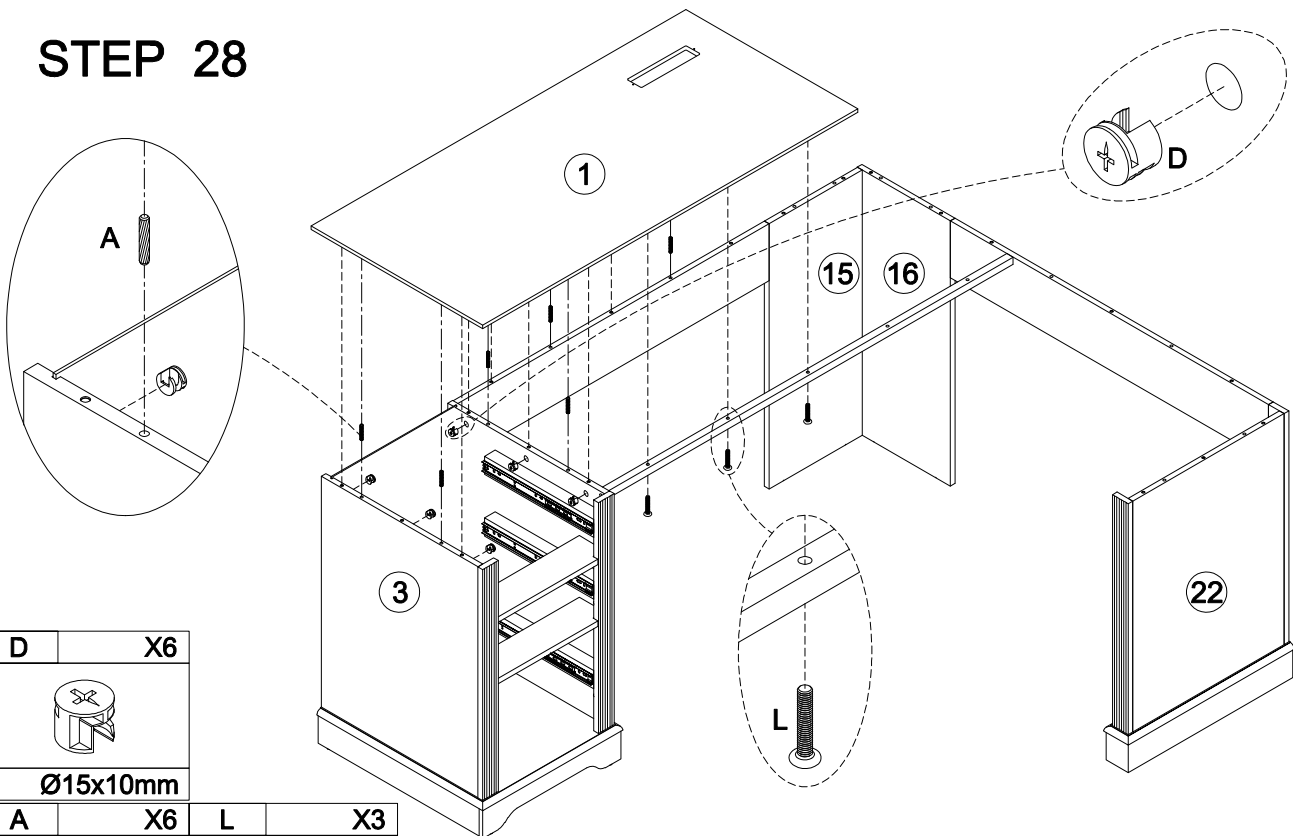
INSTALLATION INSTRUCTION


STEP 27

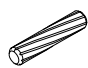



B	X8
	
Ø6x35mm	

STEP 28



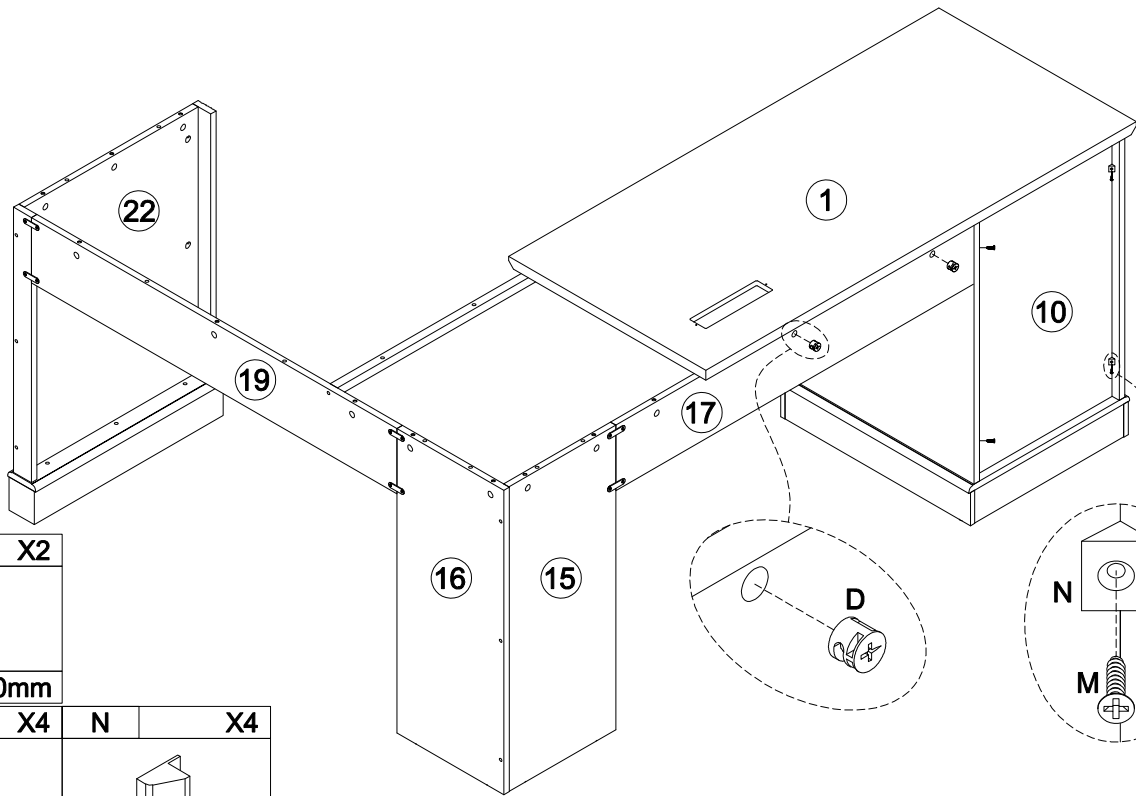
D	X6
	
Ø15x10mm	

A	X6	L	X3
			
Ø6x30mm		M6x32mm	

Note: There are many nuts, so pay attention to aligning the holes when installing the top plate. Also, make sure the nuts are facing upwards to facilitate accurate insertion of the screws.

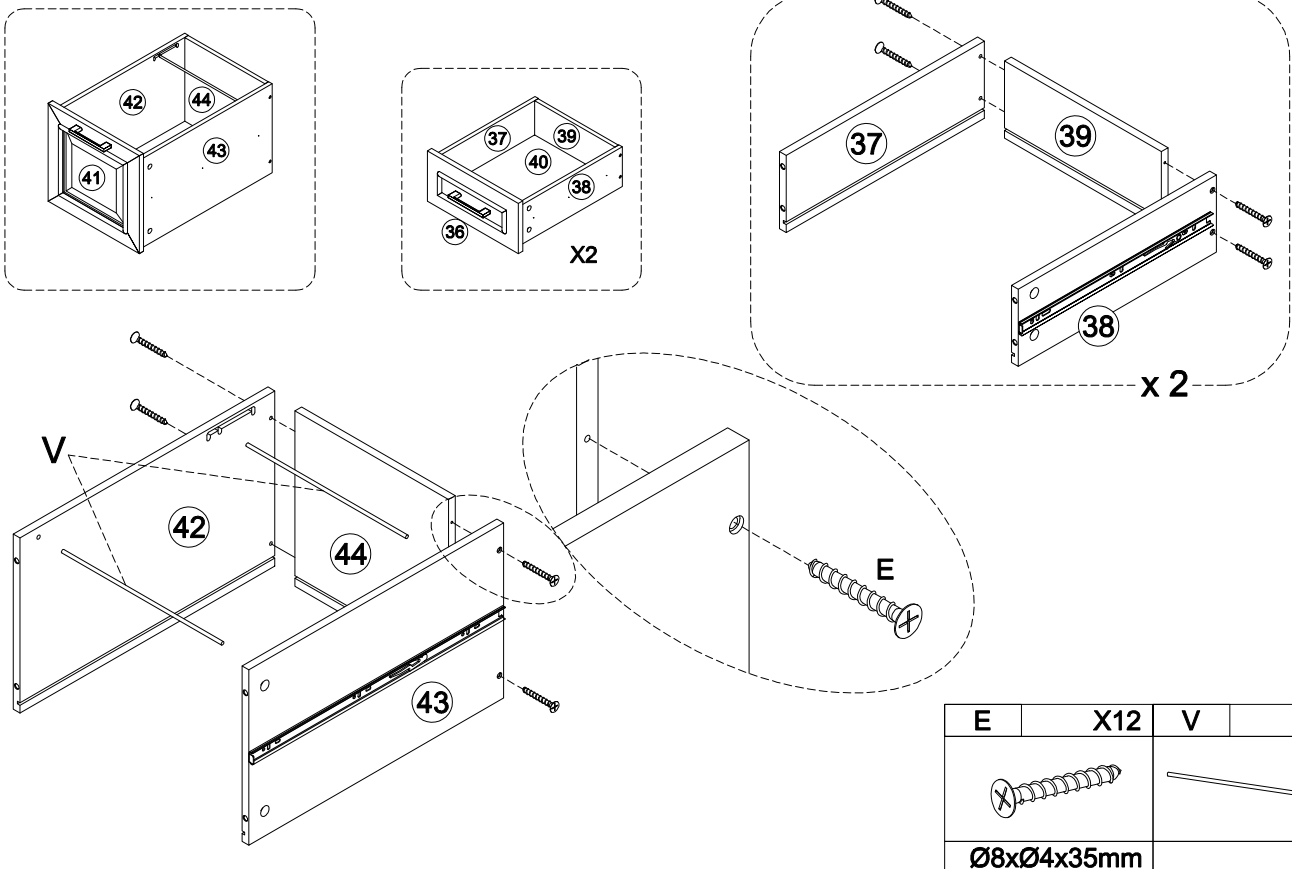
INSTALLATION INSTRUCTION

STEP 29



D	X2		
Ø15x10mm			
M	X4	N	X4
Ø6xØ3x16mm			

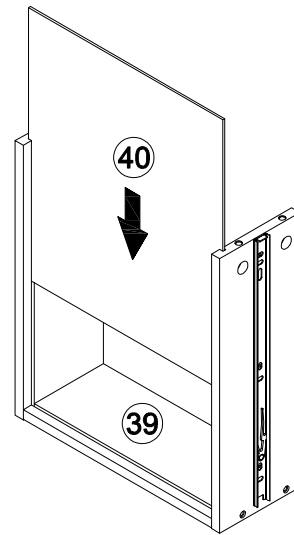
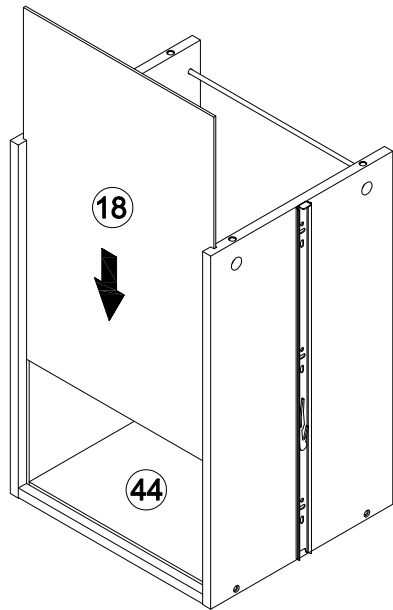
STEP 30



E	X12	V	X2
Ø8xØ4x35mm			

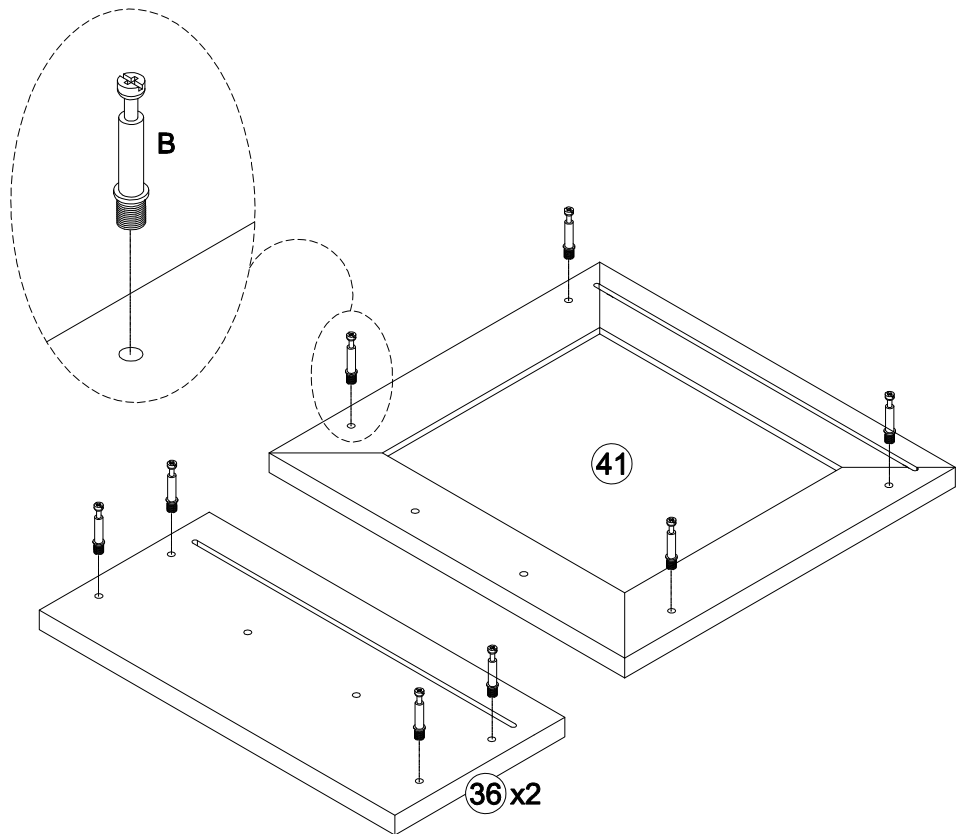
INSTALLATION INSTRUCTION

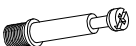
STEP 31



x2

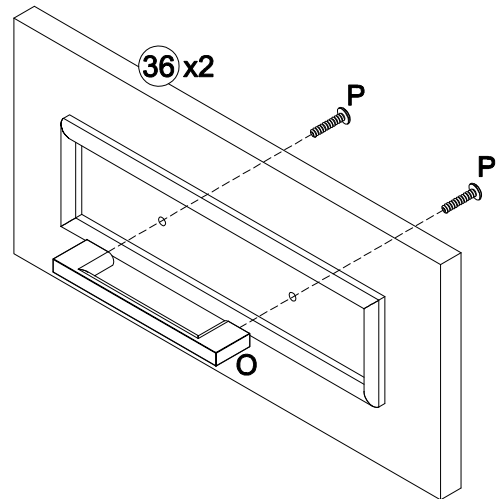
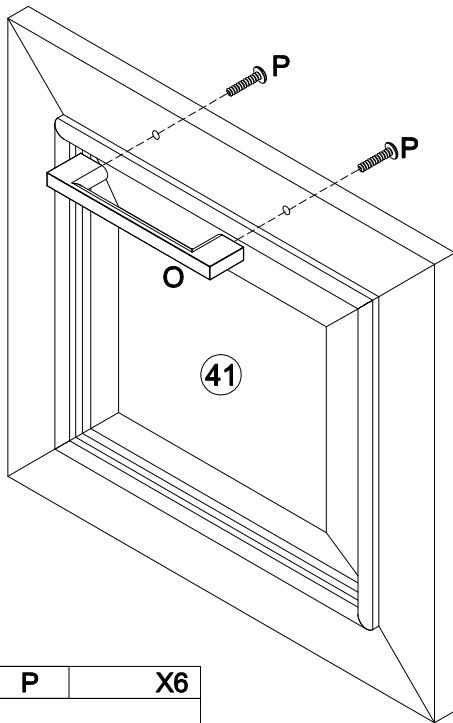
STEP 32

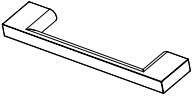



B	X12
	
Ø6x35mm	

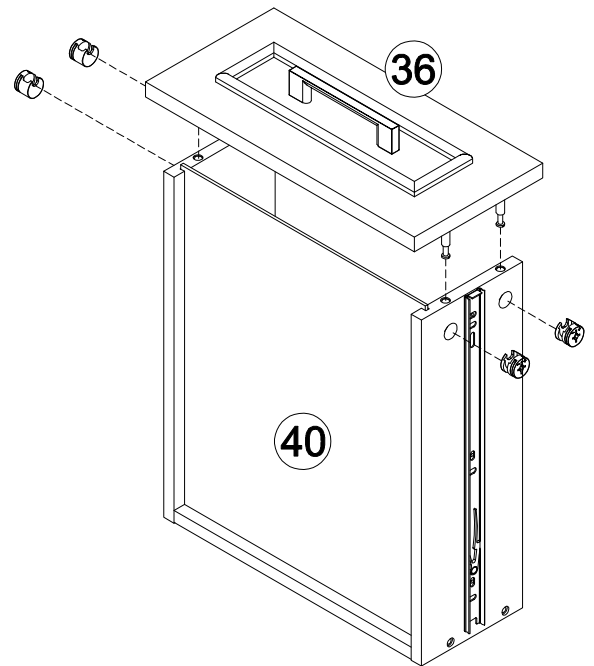
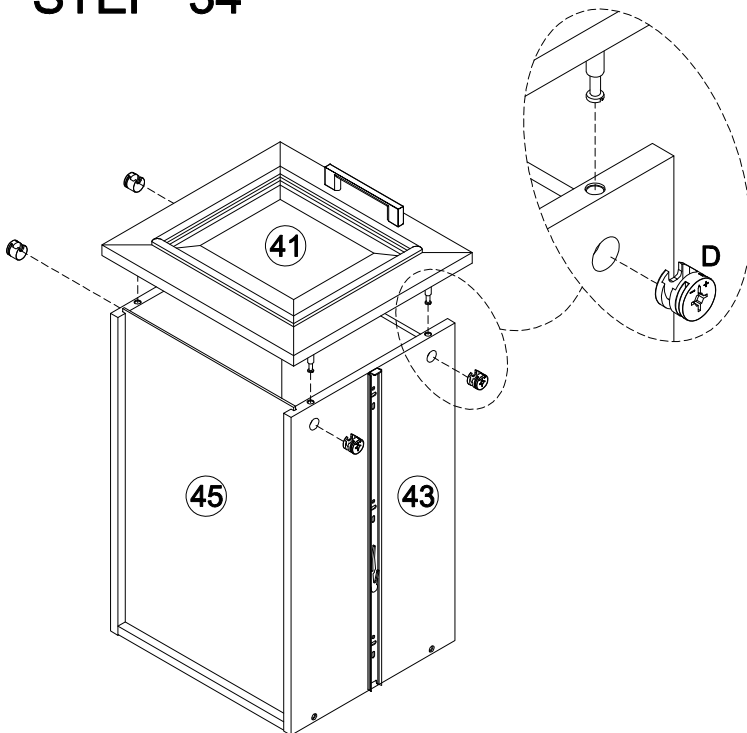
INSTALLATION INSTRUCTION


STEP 33



O	X3	P	X6
			
		M4x18mm	

STEP 34

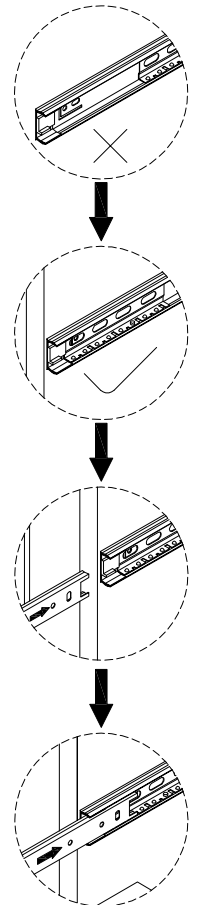
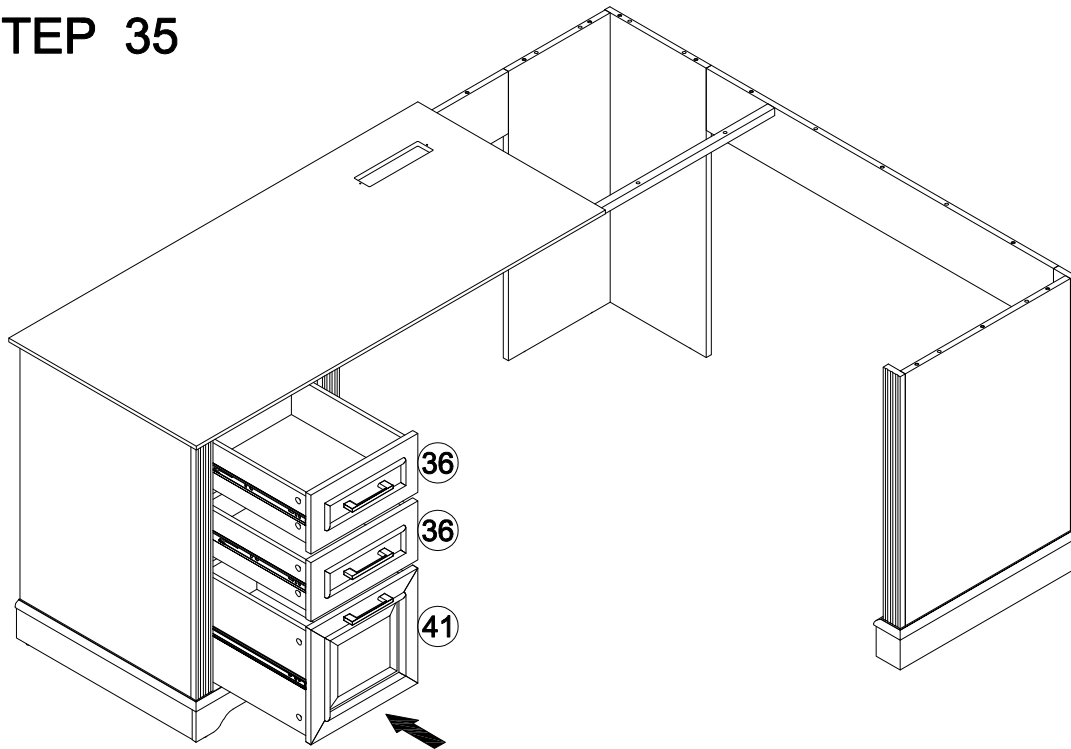


D	X12
	
Ø15x10mm	

x2

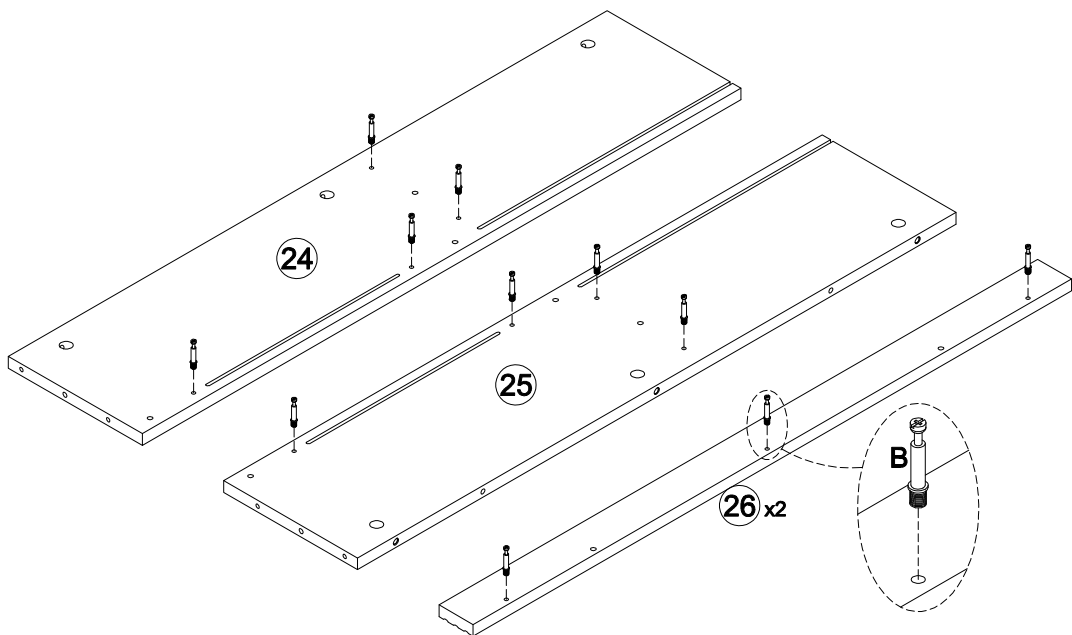
INSTALLATION INSTRUCTION

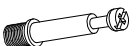
STEP 35



When pulling out large files, please be careful. A three-section guide rail is used to facilitate the hanging and taking of files. It is recommended to pull out two-thirds of the file when placing heavy objects.

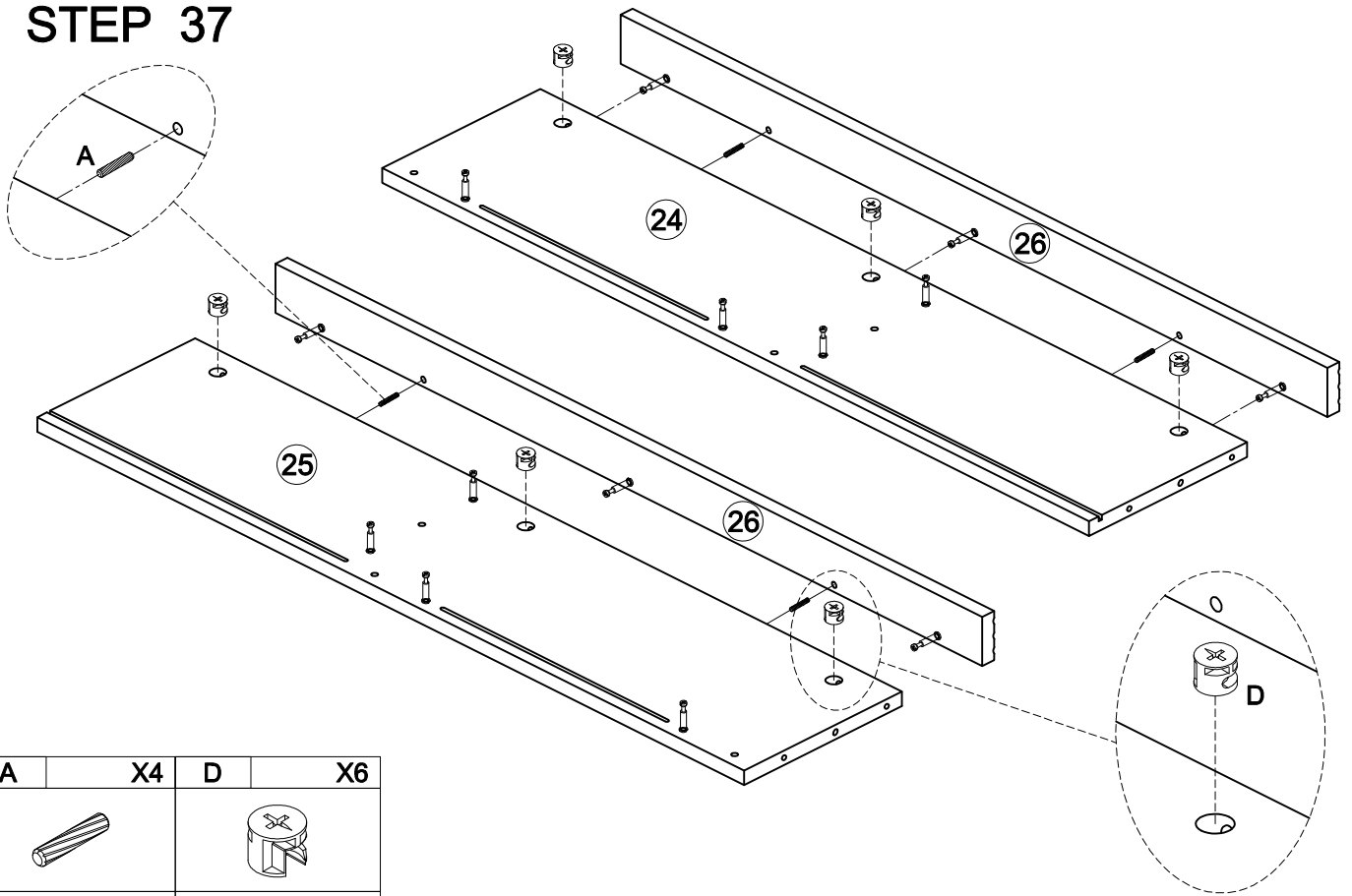
STEP 36

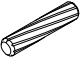



B	X14
	
Ø6x35mm	

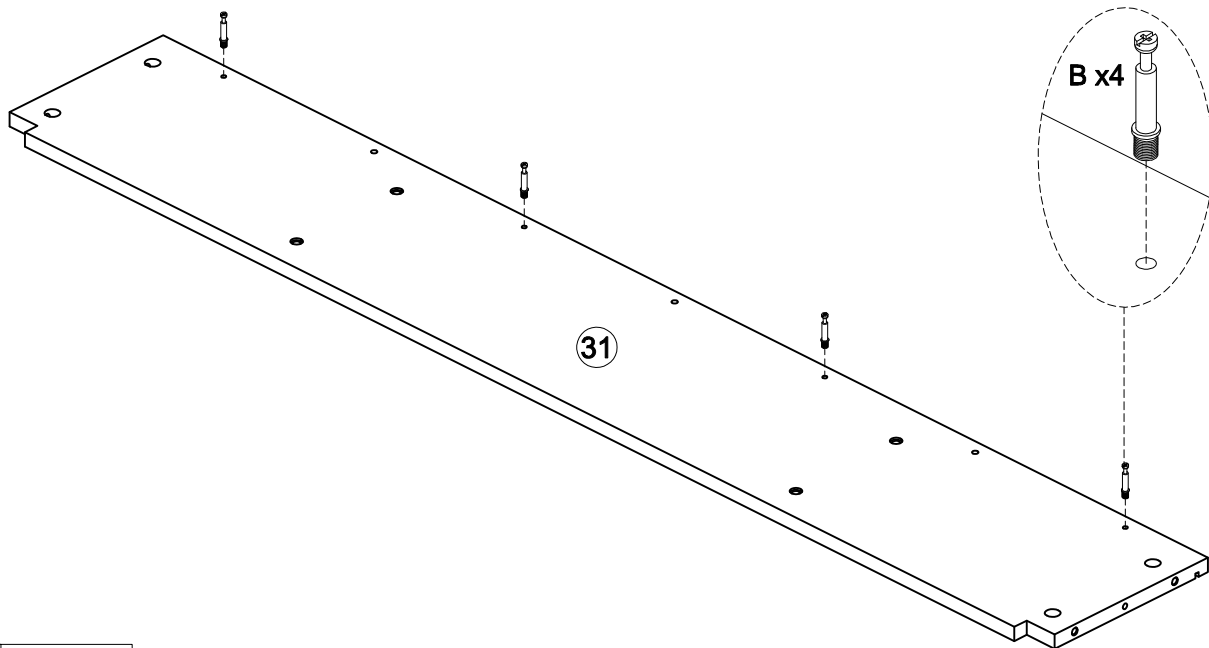
INSTALLATION INSTRUCTION


STEP 37



A	X4	D	X6
			
Ø6x30mm		Ø15x10mm	

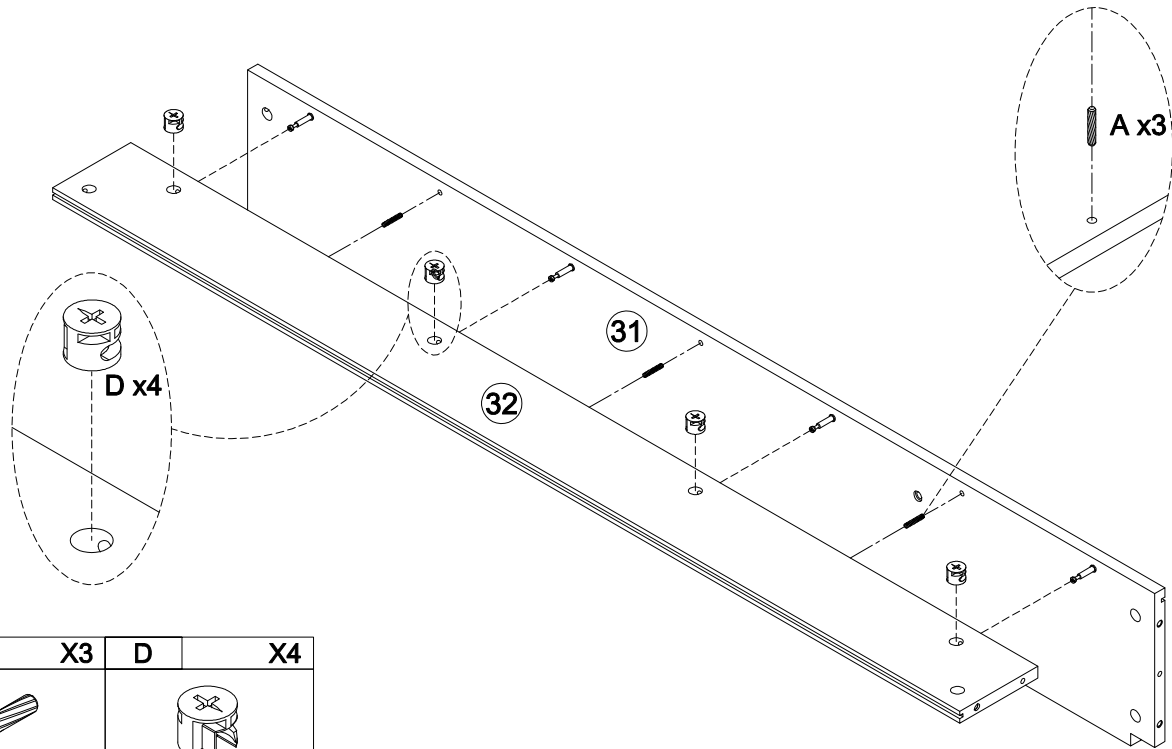
STEP 38

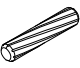



B	X4
	
Ø6x35mm	

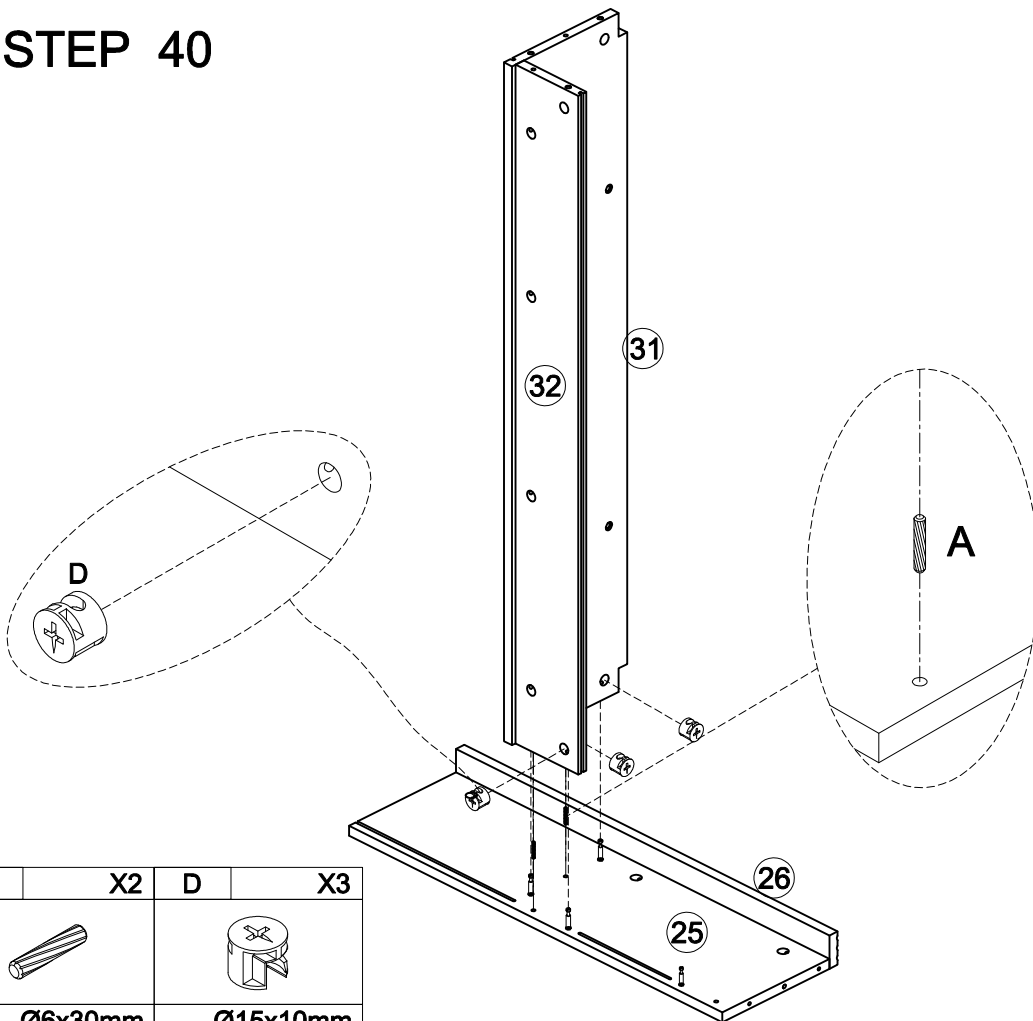
INSTALLATION INSTRUCTION

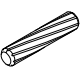

STEP 39



A	X3	D	X4
			
Ø6x30mm		Ø15x10mm	

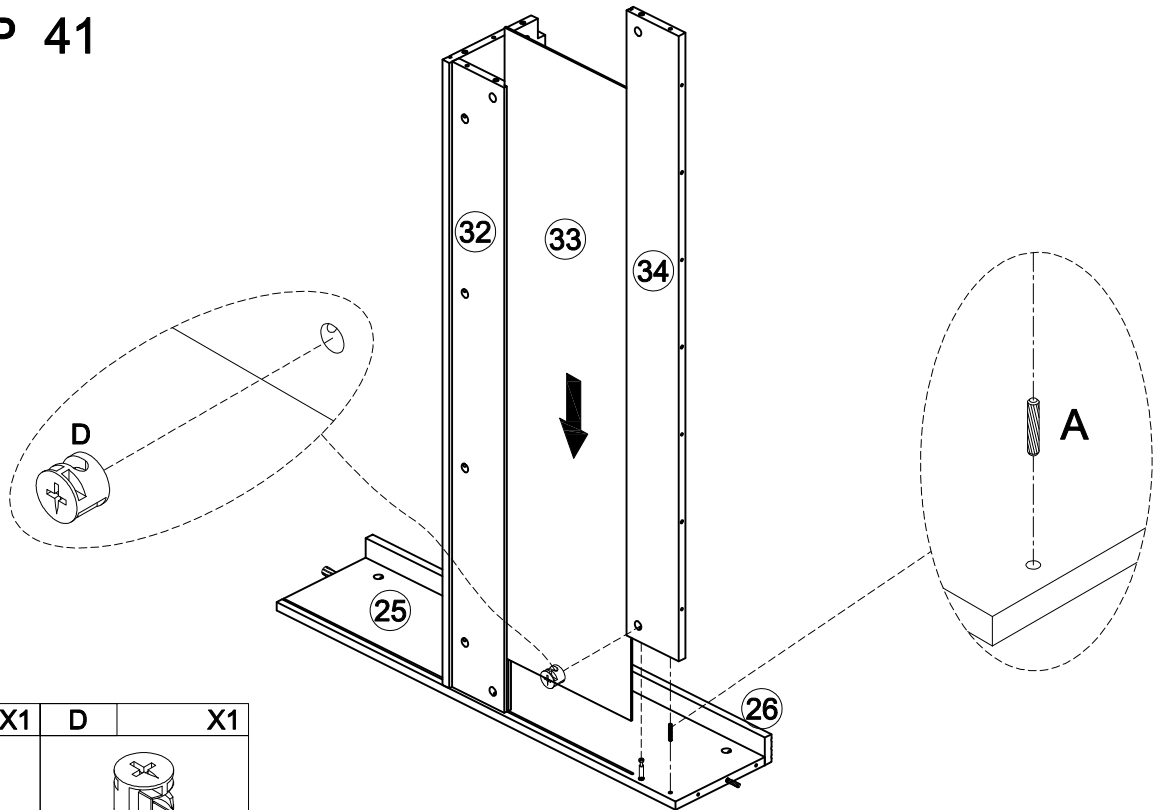
STEP 40

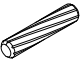
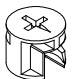


A	X2	D	X3
			
Ø6x30mm		Ø15x10mm	

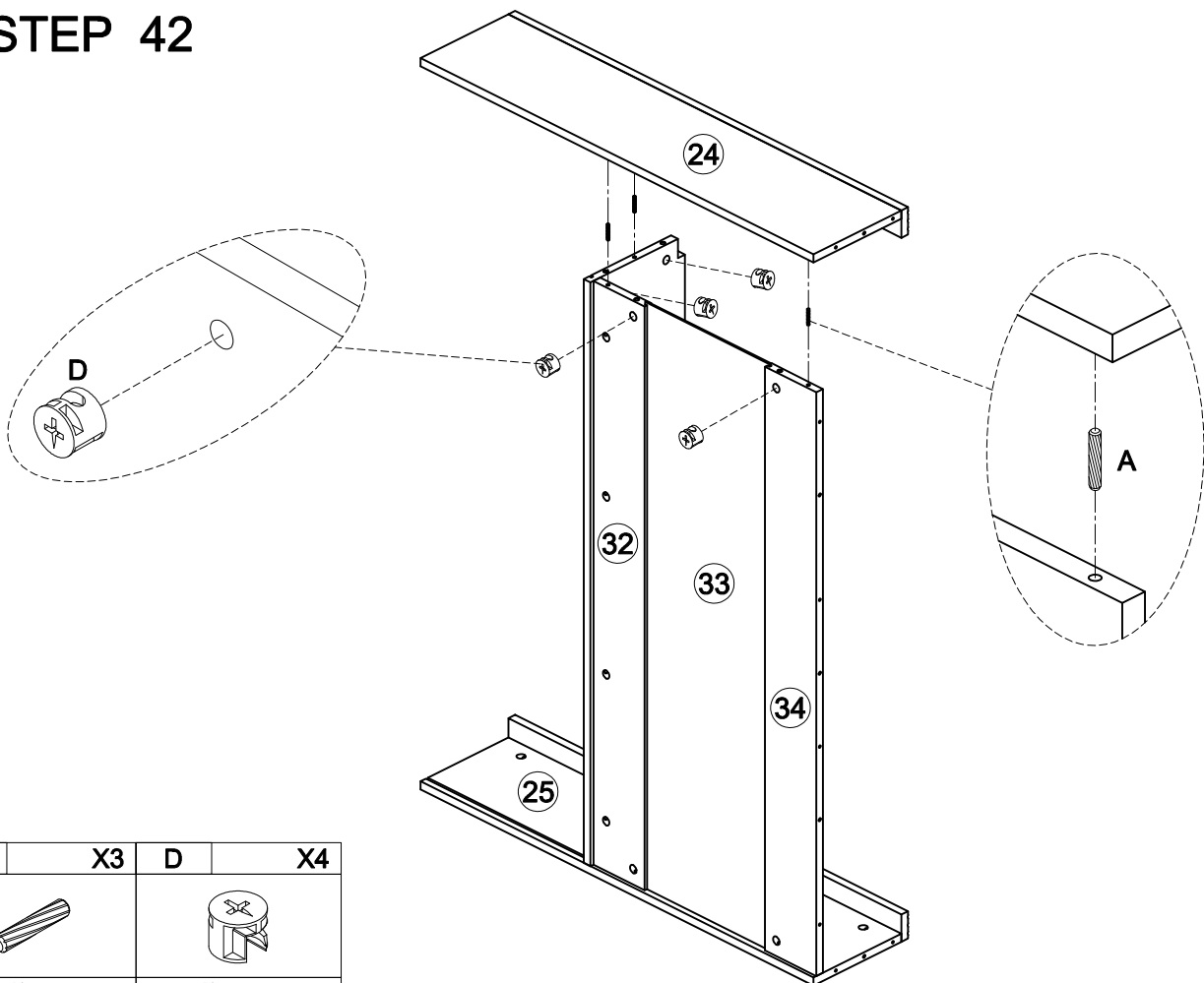
INSTALLATION INSTRUCTION

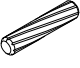

STEP 41



A	X1	D	X1
			
Ø6x30mm		Ø15x10mm	

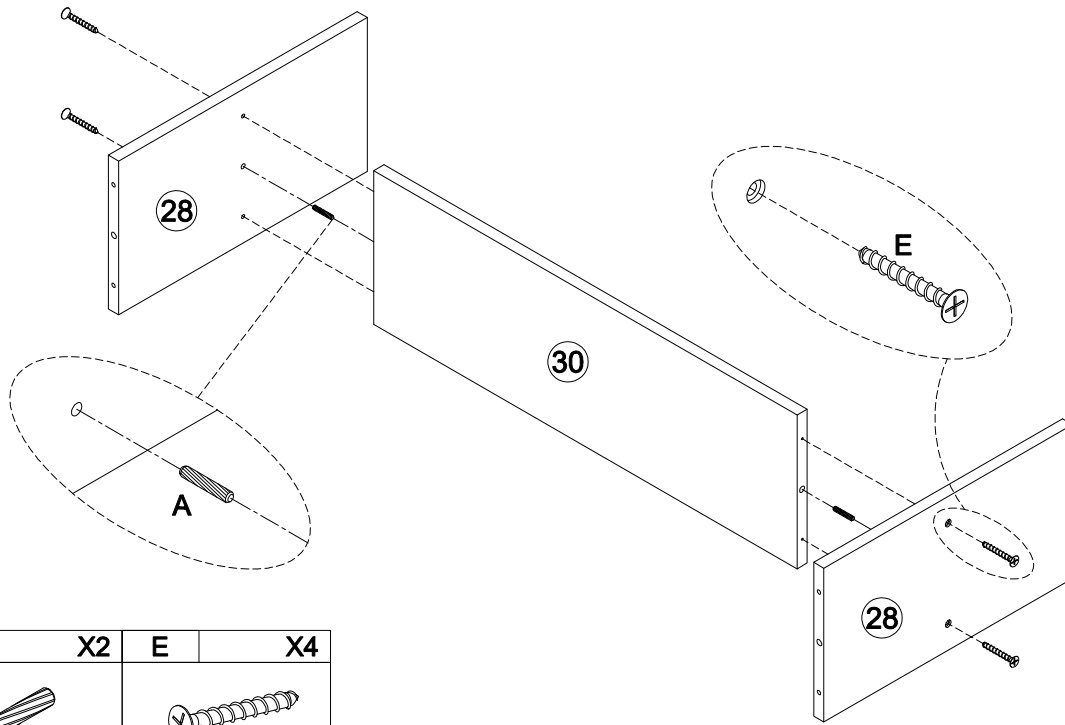
STEP 42

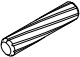
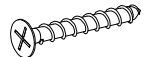


A	X3	D	X4
			
Ø6x30mm		Ø15x10mm	

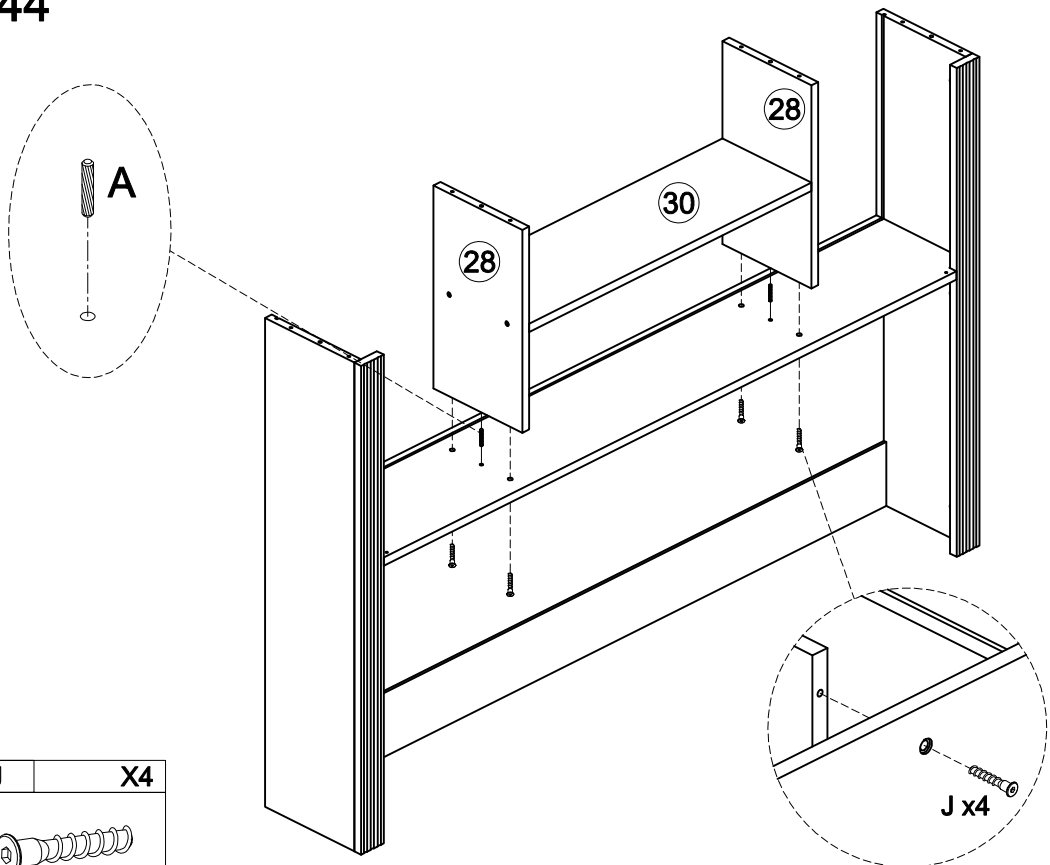
INSTALLATION INSTRUCTION

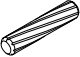

STEP 43



A	X2	E	X4
			
Ø6x30mm		Ø8xØ4x35mm	

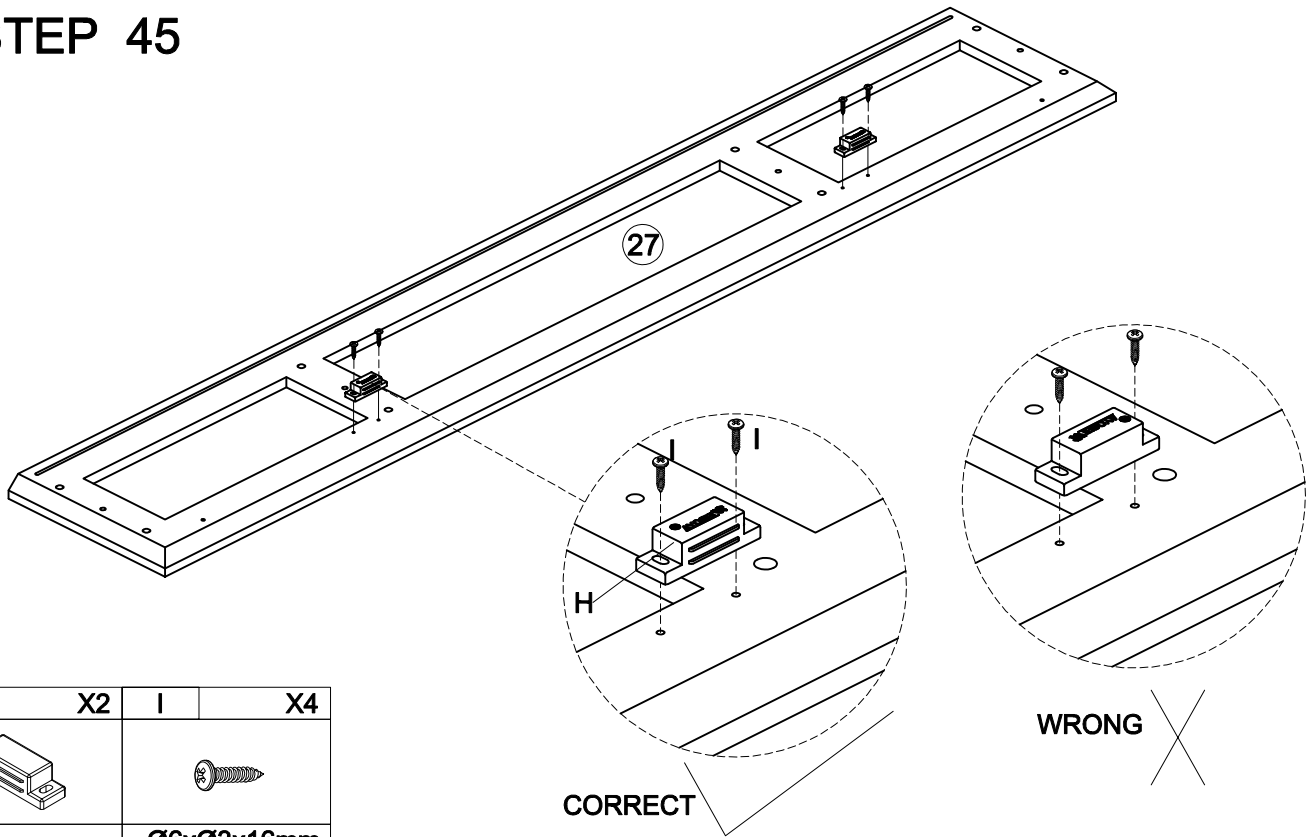
STEP 44

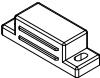



A	X2	J	X4
			
Ø6x30mm		Ø7x38mm	

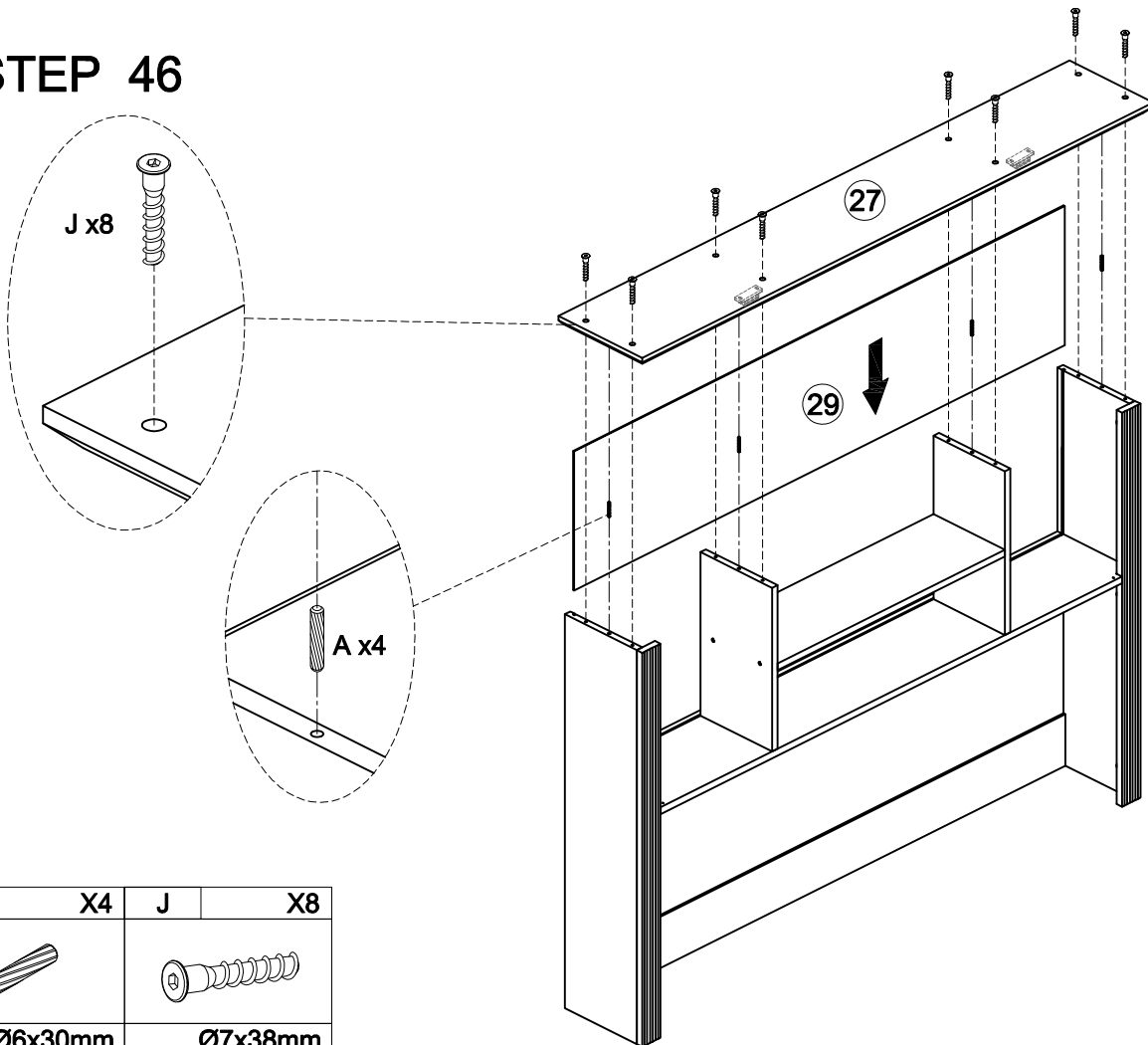
INSTALLATION INSTRUCTION

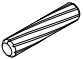

STEP 45



H	X2	I	X4
			
Ø6xØ3x16mm			

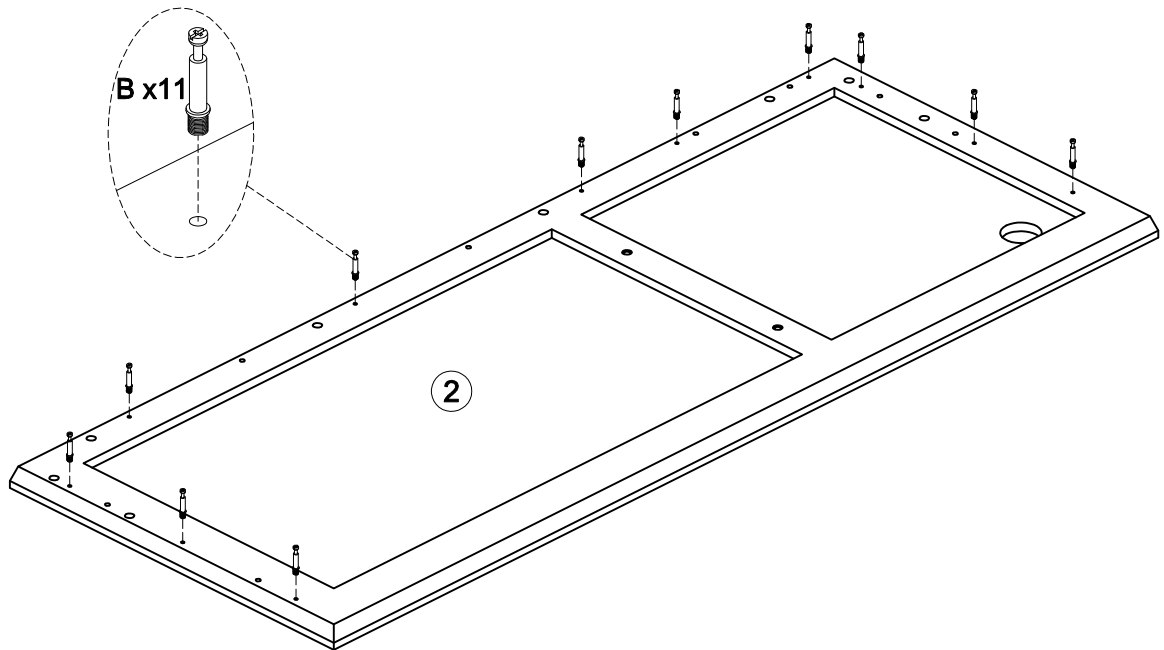
STEP 46

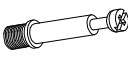


A	X4	J	X8
			
Ø6x30mm		Ø7x38mm	

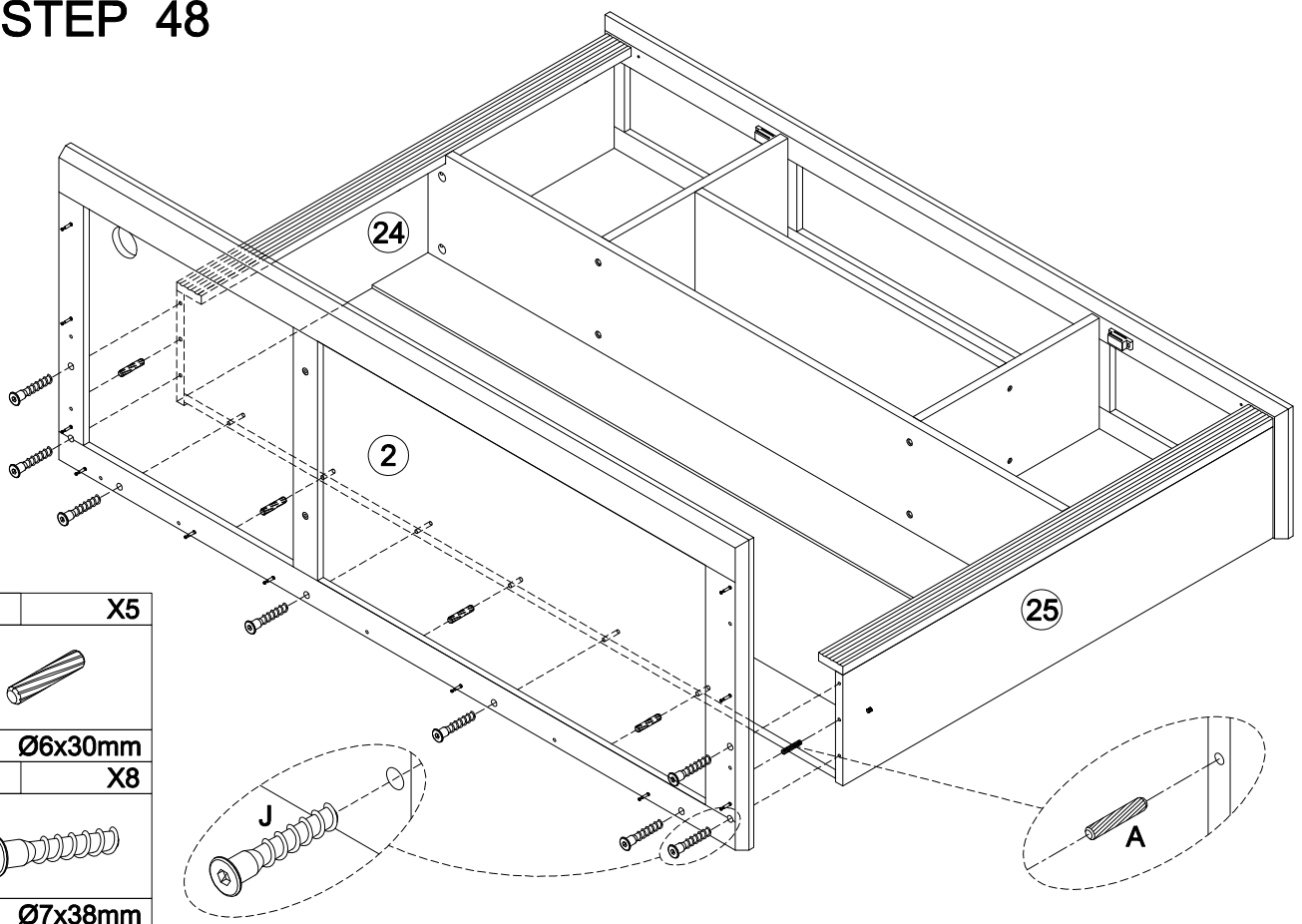
INSTALLATION INSTRUCTION

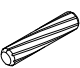
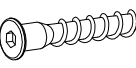
STEP 47



B	X11
	
Ø6x35mm	

STEP 48

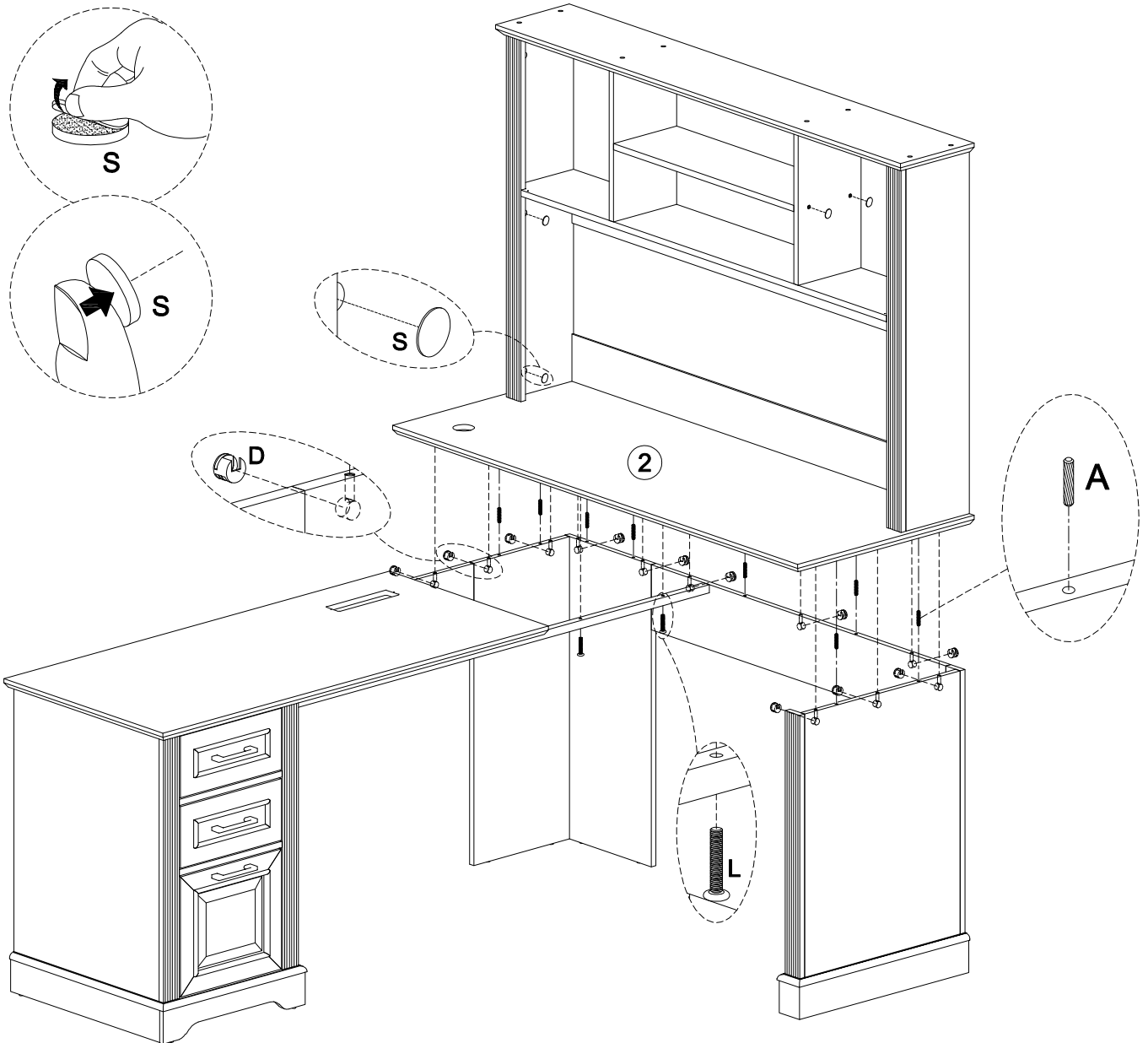


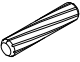



A	X5
	
Ø6x30mm	
J	X8
	
Ø7x38mm	

INSTALLATION INSTRUCTION

STEP 49

Note: This installation step requires 2 or more people to install

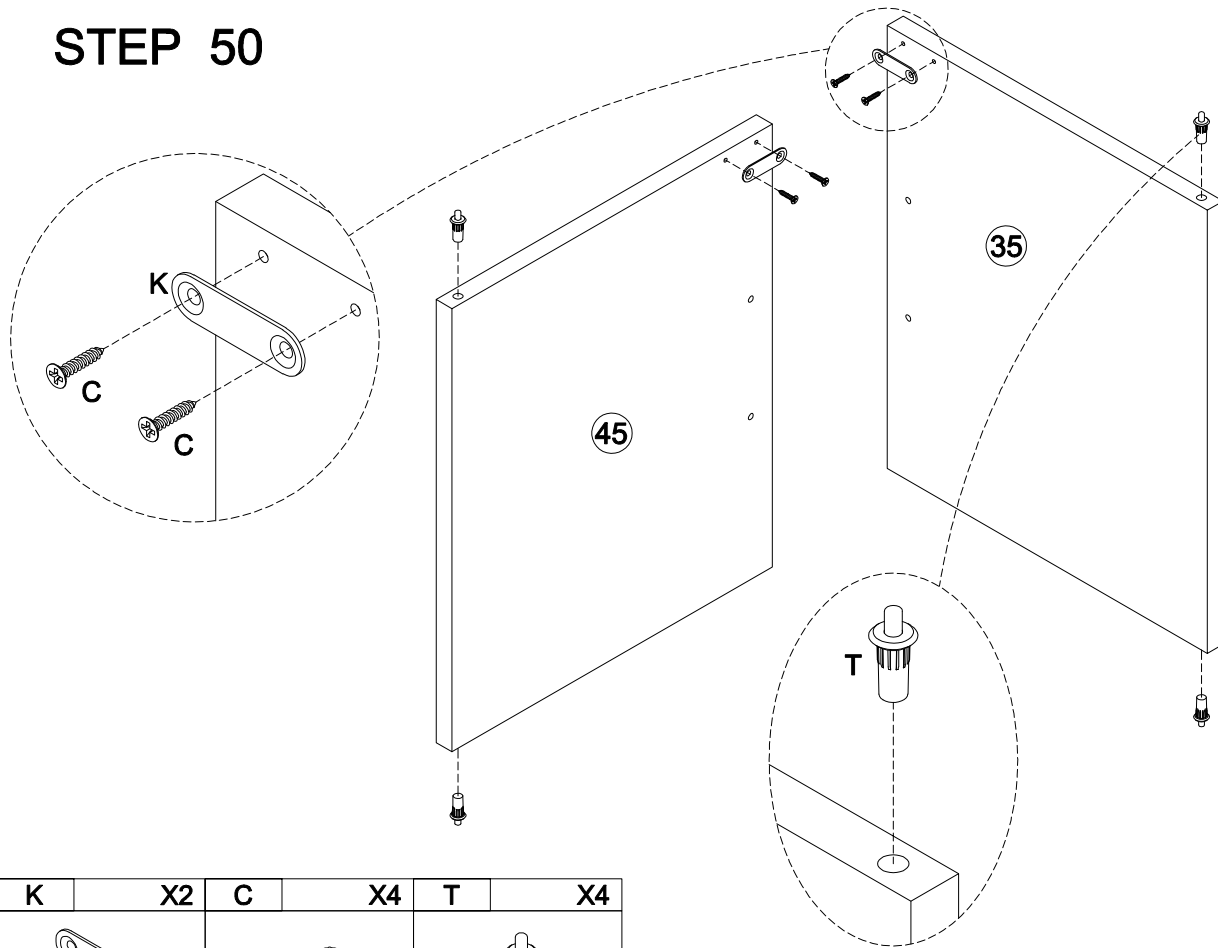


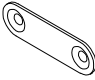


A	X8	D	X11
			
Ø6x30mm		Ø15x10mm	
L	X2	S	X20
			
M6x32mm			

Note: There are many nuts, so pay attention to aligning the holes when installing the top plate. Also, make sure the nuts are facing upwards to facilitate accurate insertion of the screws.

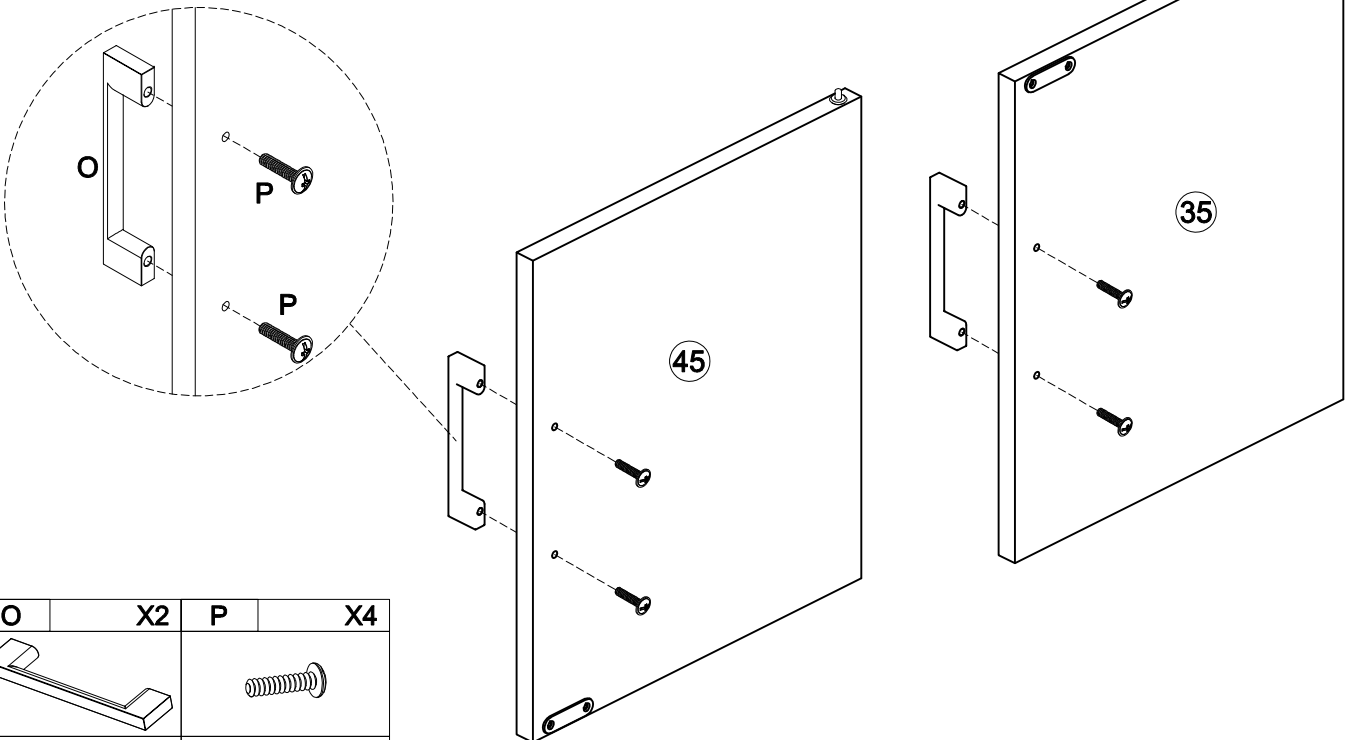
INSTALLATION INSTRUCTION

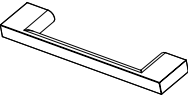
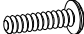
STEP 50



K	X2	C	X4	T	X4
					
		Ø7xØ3.5x12mm			

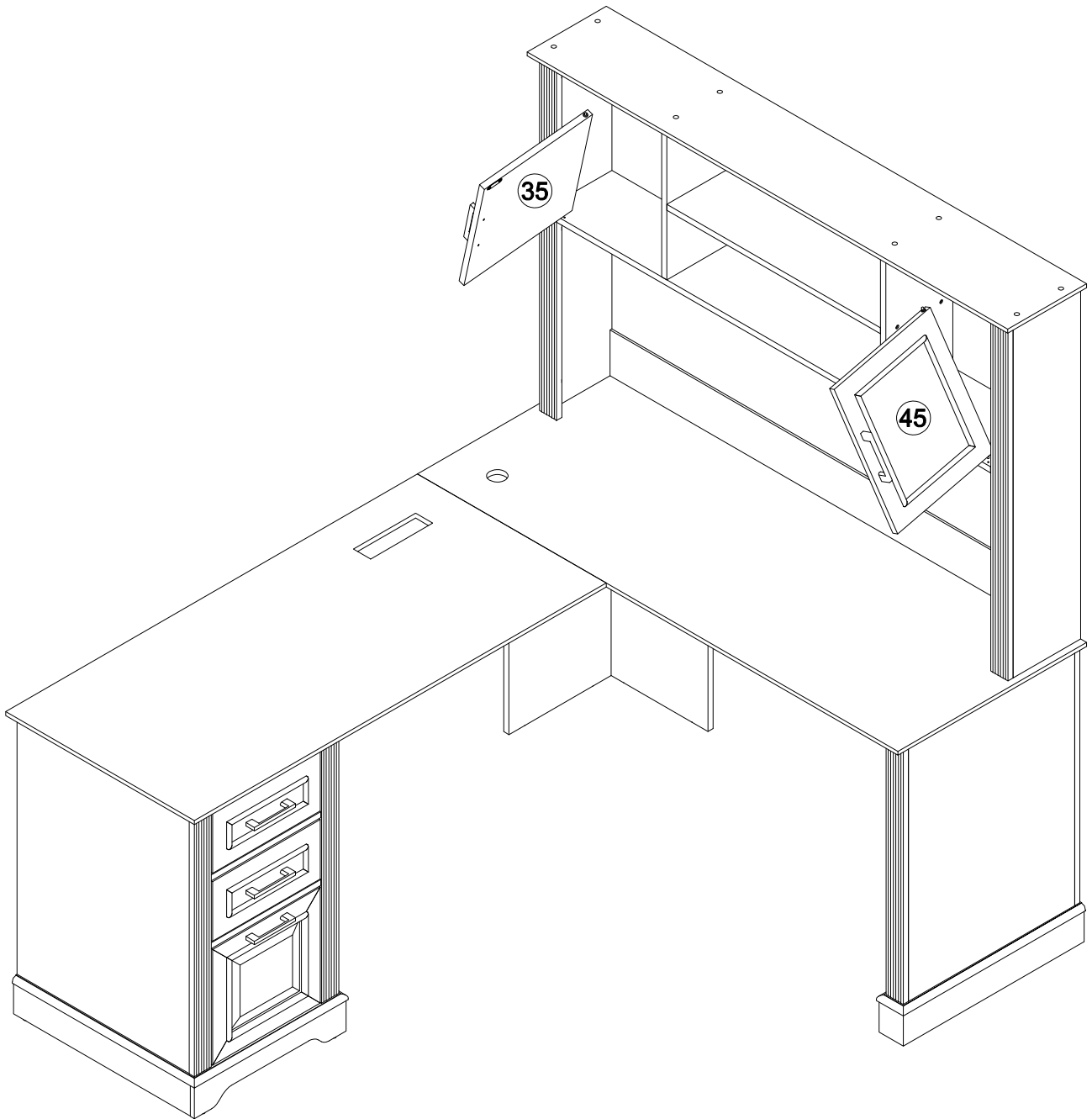
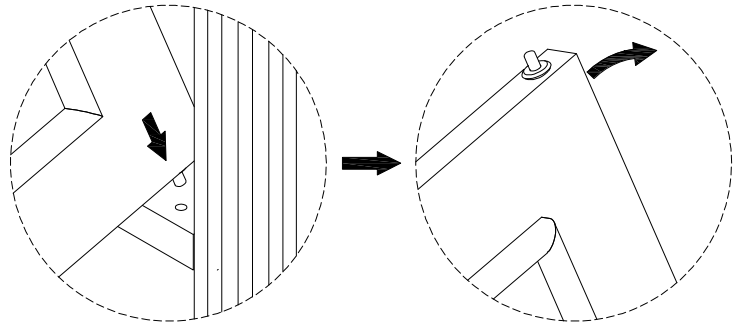
STEP 51



O	X2	P	X4
			
		M4x18mm	

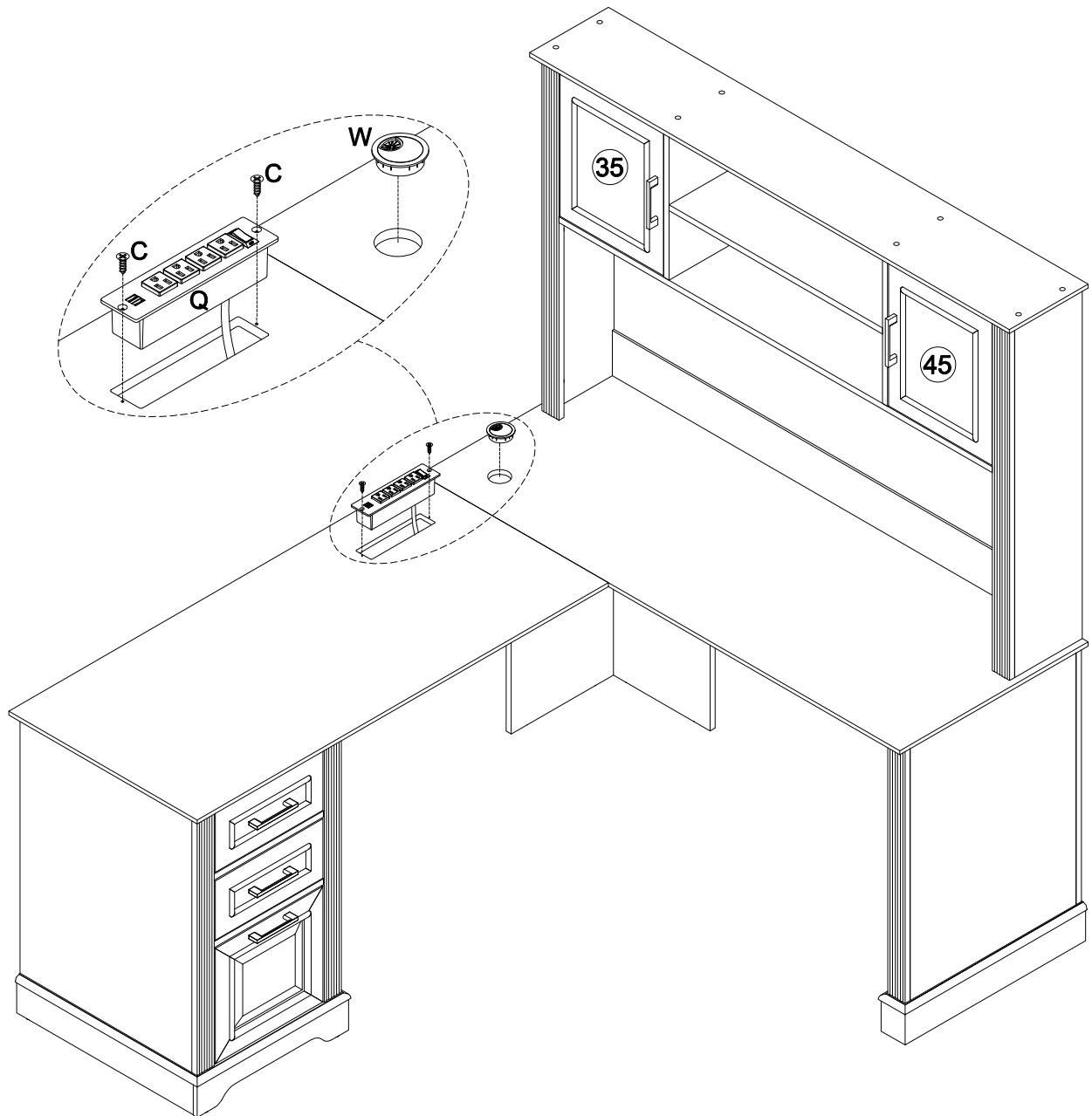
INSTALLATION INSTRUCTION




STEP 52



INSTALLATION INSTRUCTION

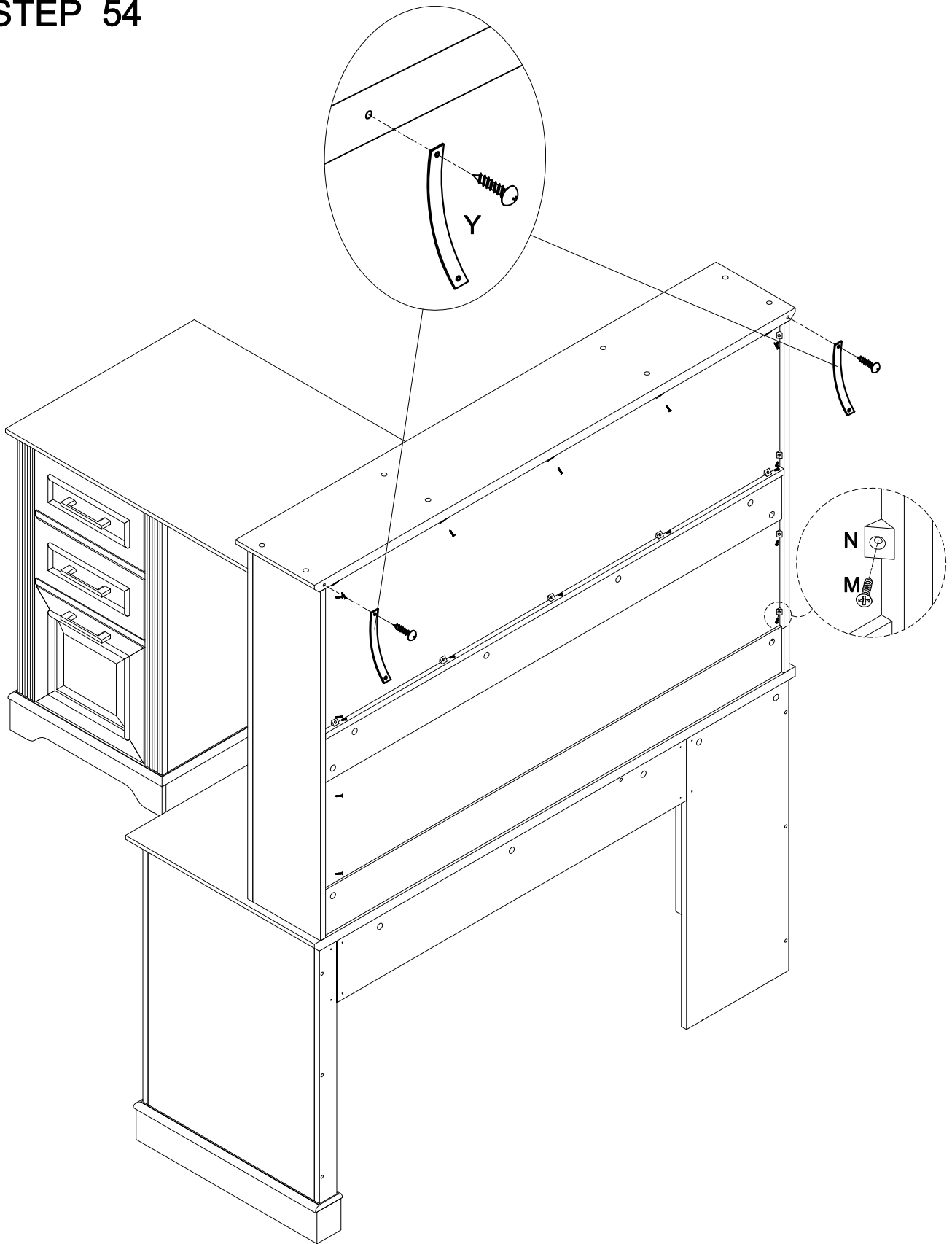
STEP 53


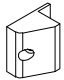




C	X2	Q	X1	W	X1
					
Ø7xØ3.5x12mm					

INSTALLATION INSTRUCTION

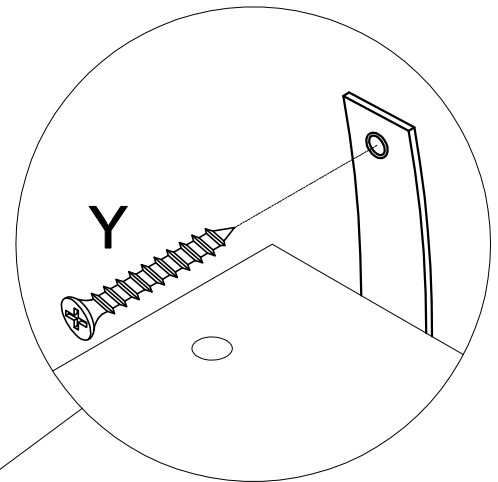
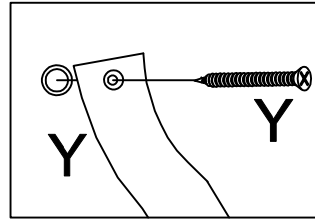
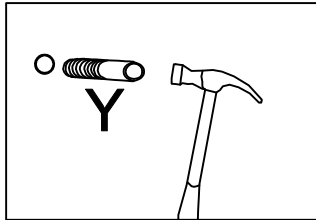
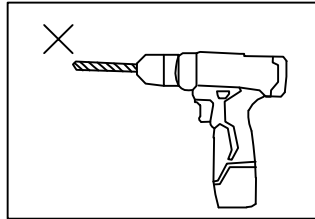
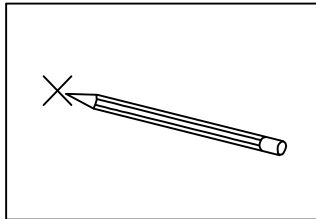
STEP 54



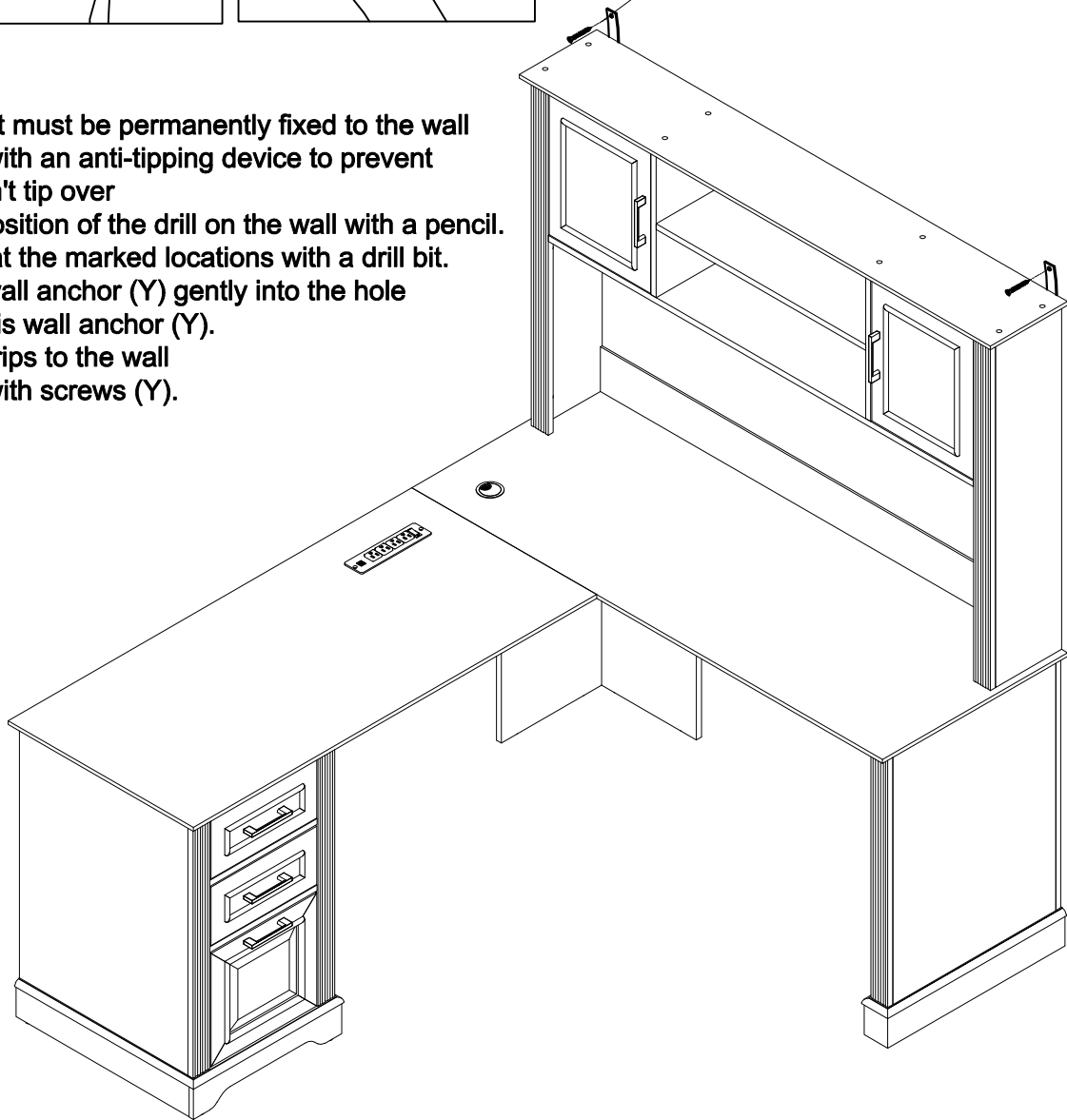
M	X18	N	X18	Y	X2
					
Ø6xØ3x16mm				Ø8 x Ø4x12mm	

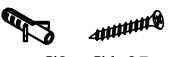
INSTALLATION INSTRUCTION

STEP 55



The cabinet must be permanently fixed to the wall
Equipped with an anti-tipping device to prevent cabinet don't tip over
Mark the position of the drill on the wall with a pencil.
Drill holes at the marked locations with a drill bit.
Insert the wall anchor (Y) gently into the hole
Knock in this wall anchor (Y).
Lock the strips to the wall
Equipped with screws (Y).



Y	X2
	
Ø8 x Ø4x35mm	