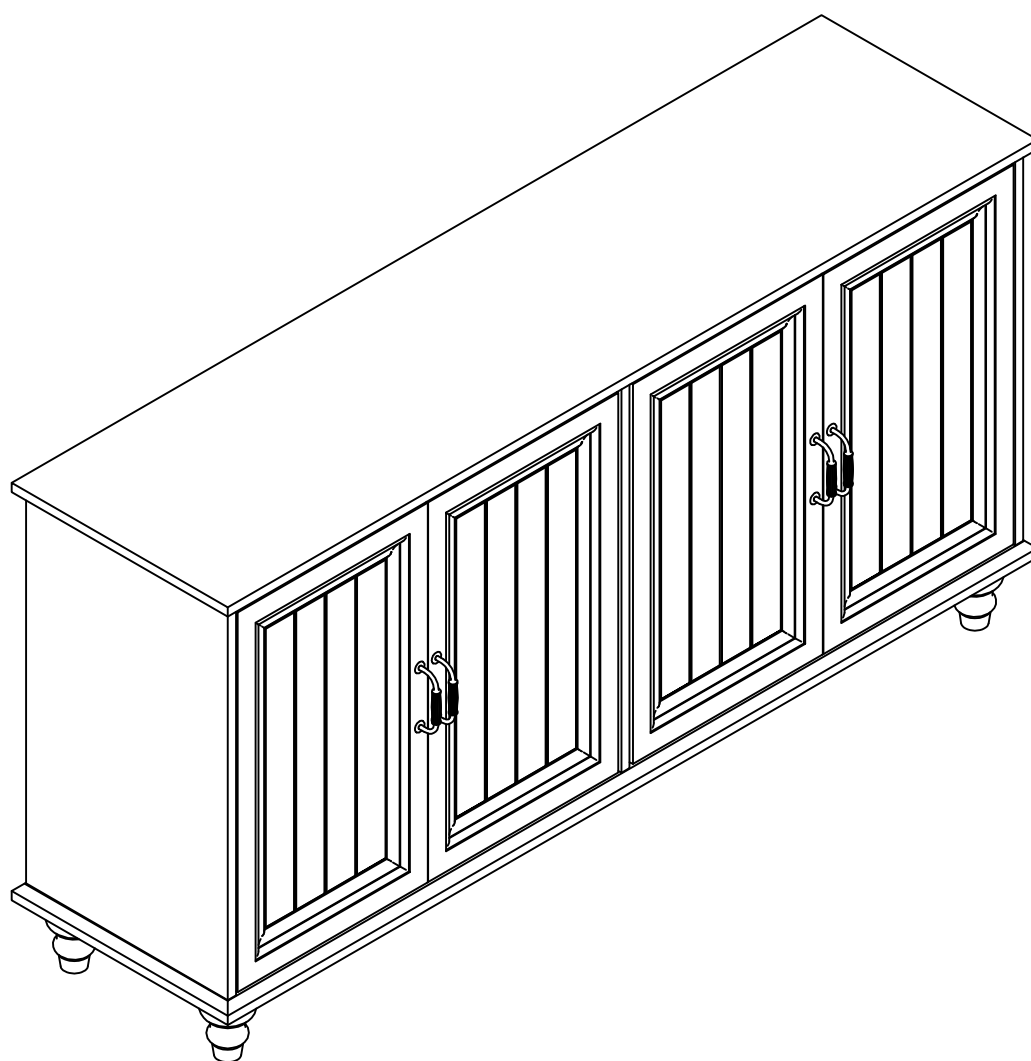


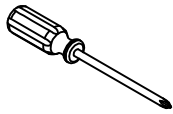
Installation Instruction



Assembling

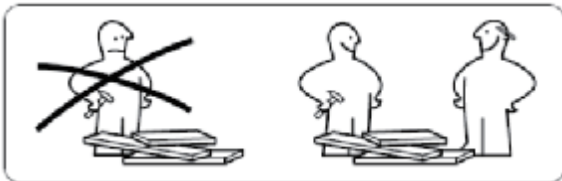
What you need

- Use the packaging carton as a working surface to prevent product damage during assembly
- Phillips head screwdriver



Weight Limitation


100 | **35**
 lbs table top lbs per

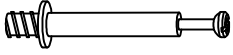


What' included

Code	Description	Qty
A	Cam Bolt M6X35MM	14
B	Cam Lock 15X10MM	14
C	Wooden Dowel M8X30MM	12
D	Screw M4X40MM	8
E	Screw M3.5X14MM	86
F	Shelf Holder	8
G	Metal connector	2
H	Screw M3.0X14MM	4
I	Screw M4X18MM	8
J	The back button	16
K	Anchor	2
L	MATS	4
M	Metal shake handhandle	4
N	Hole position sticker	14
O	Shelf Holder	8
P	Ron absorption	2
Q	Adjustable foot	1
R	Connecting iron	5

The Hardwares

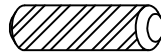
(A)



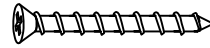
(B)



(C)



(D)



(E)



(F)



(G)



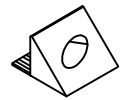
(H)



(I)



(J)



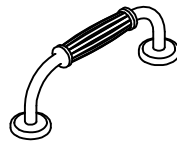
(K)



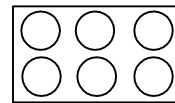
(L)



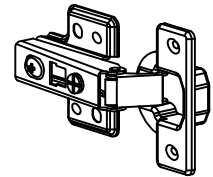
(M)



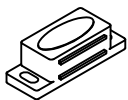
(N)



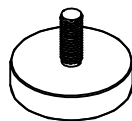
(O)



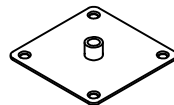
(P)



(Q)



(R)



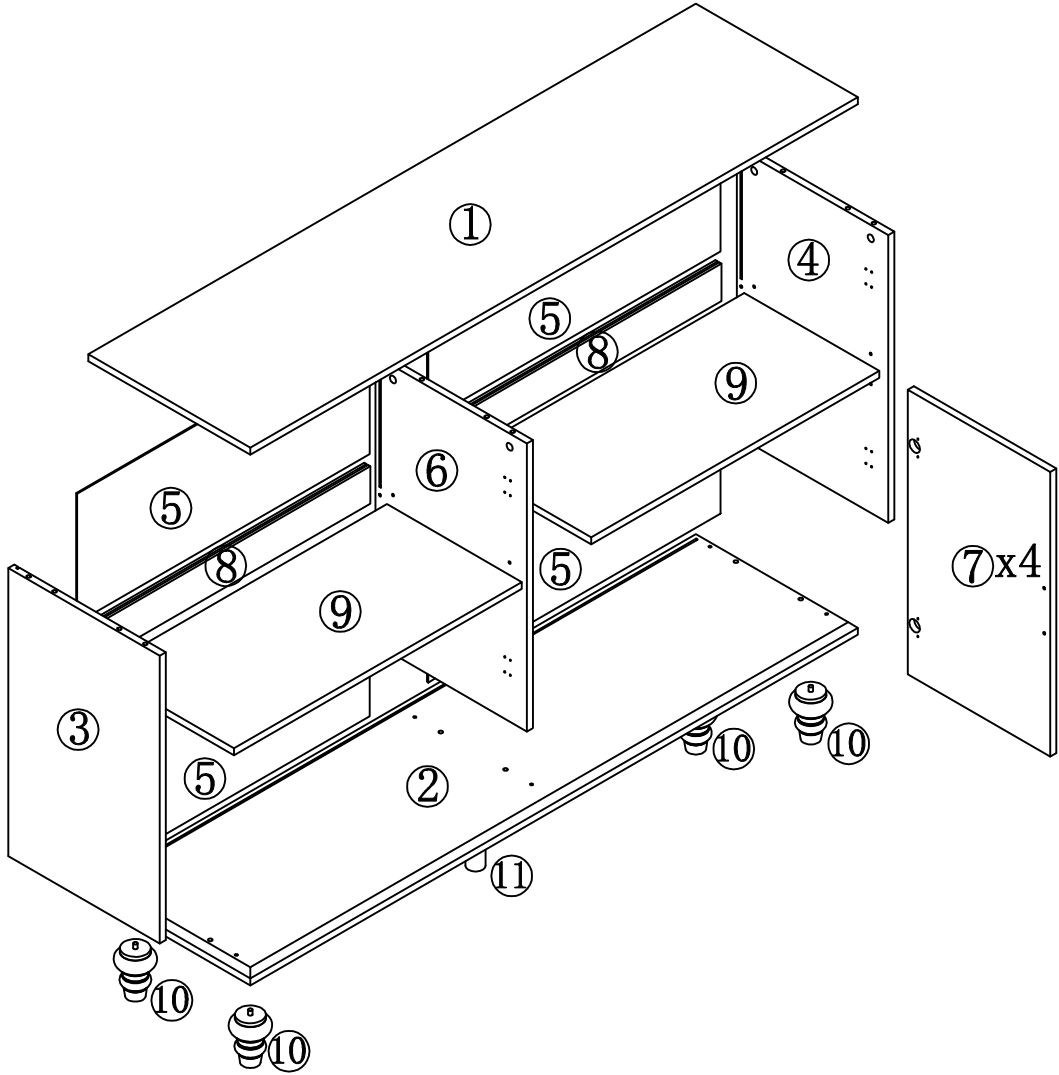
IMPORTANT:

1. Do not tighten bolts / screws completely until all bolts / screws are lined up and inserted into holes.
2. Do not over tighten screws and bolts to avoid stripping
3. Please use hand tools to assemble this product, you can also use power tools (please use power tools carefully)

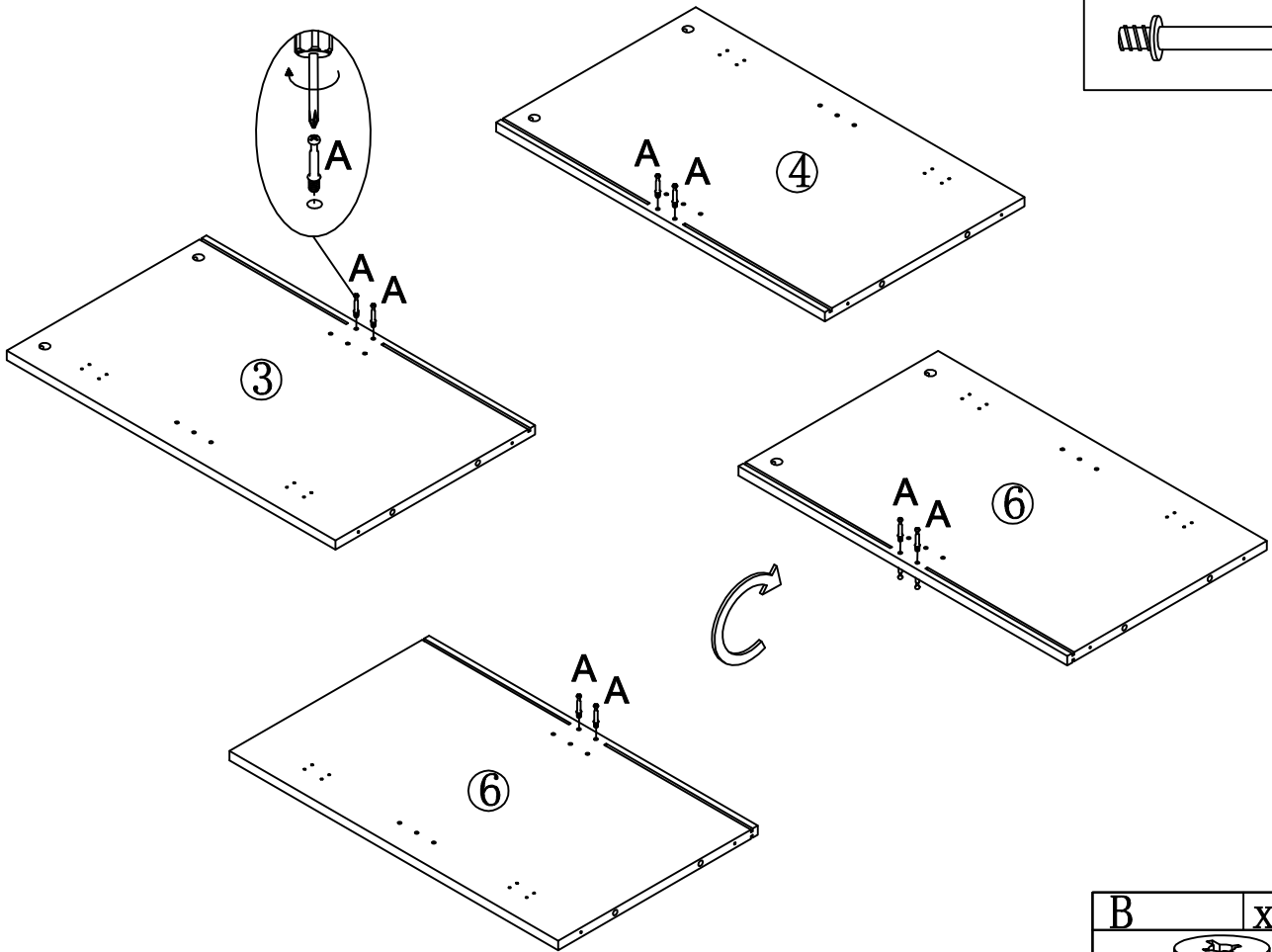
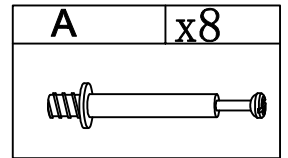
Included Accessories

Code	Description	Qty
1	Cabinet Top	1
2	Bottom Panel	1
3	Left lateral plate	1
4	Right lateral plate	1
5	Back plate	4
6	median septum plate	1
7	The door	4
8	Back reinforcement plate	2
9	Removable laminate	2
10	Solid wood feet	4
11	wood feet	1

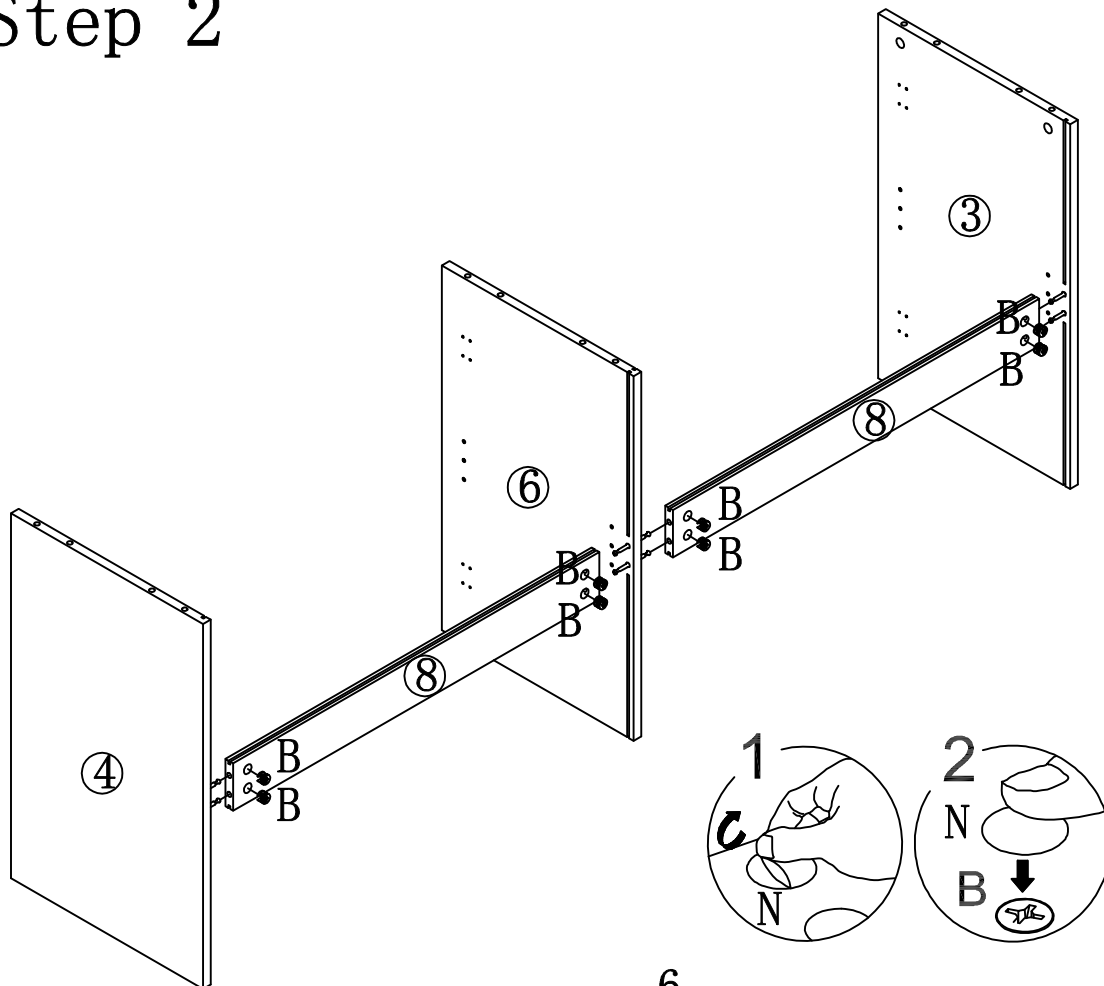
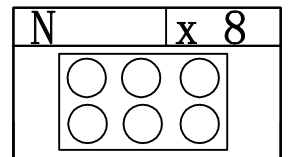
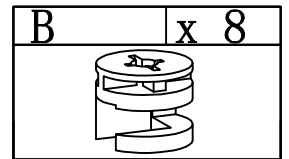
The Accessoriess



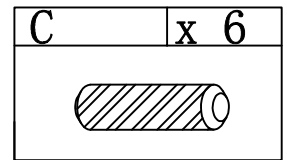
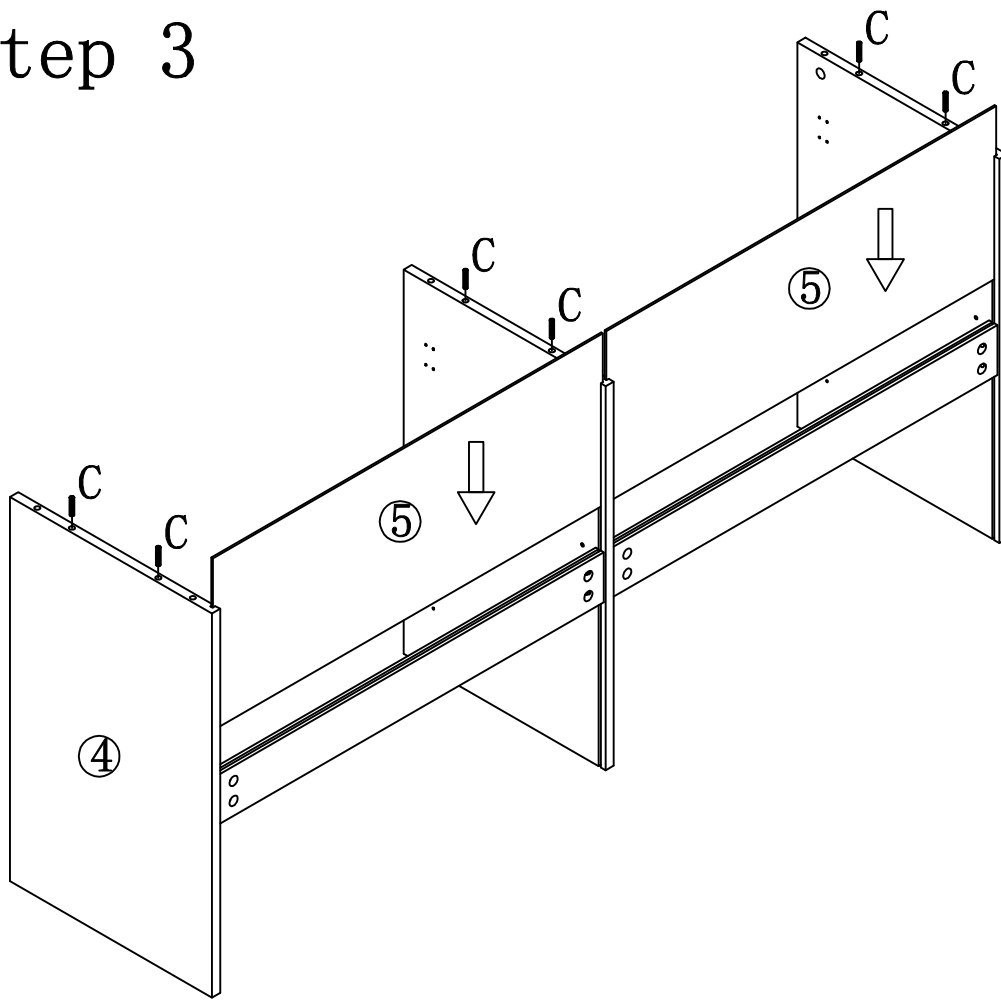
Step 1



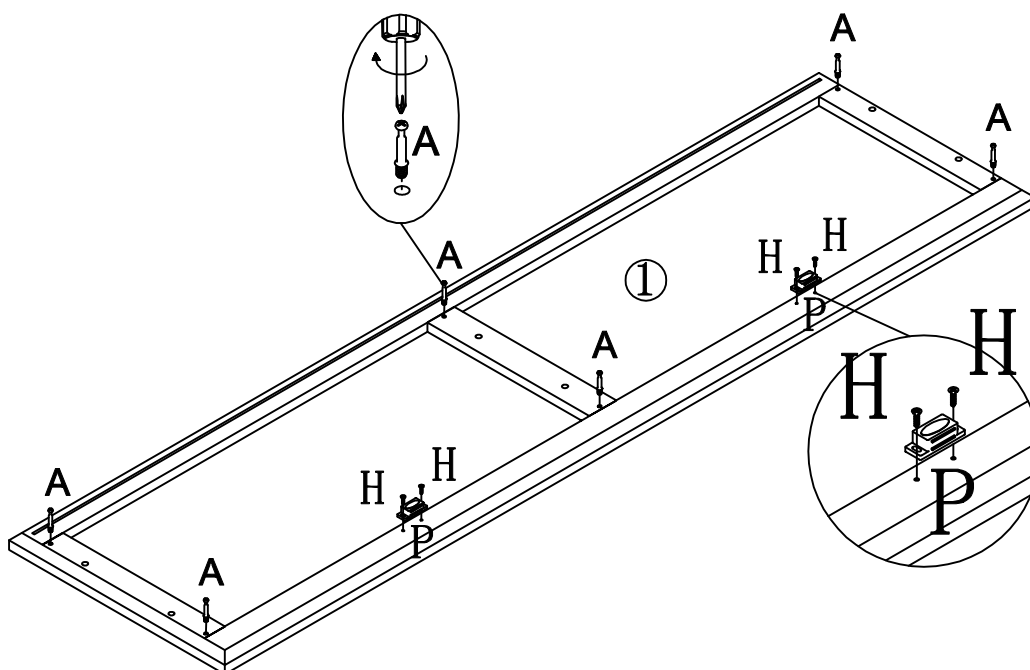
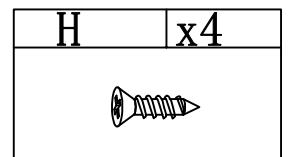
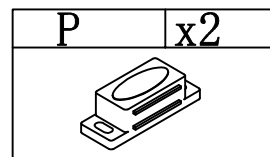
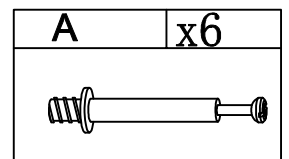
Step 2



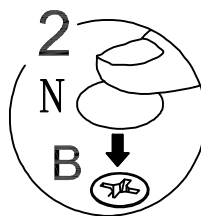
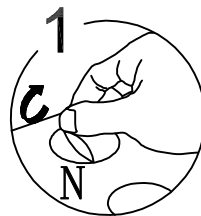
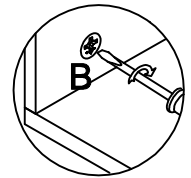
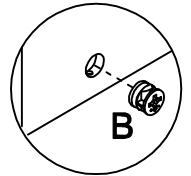
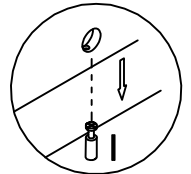
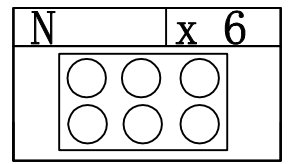
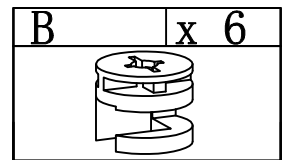
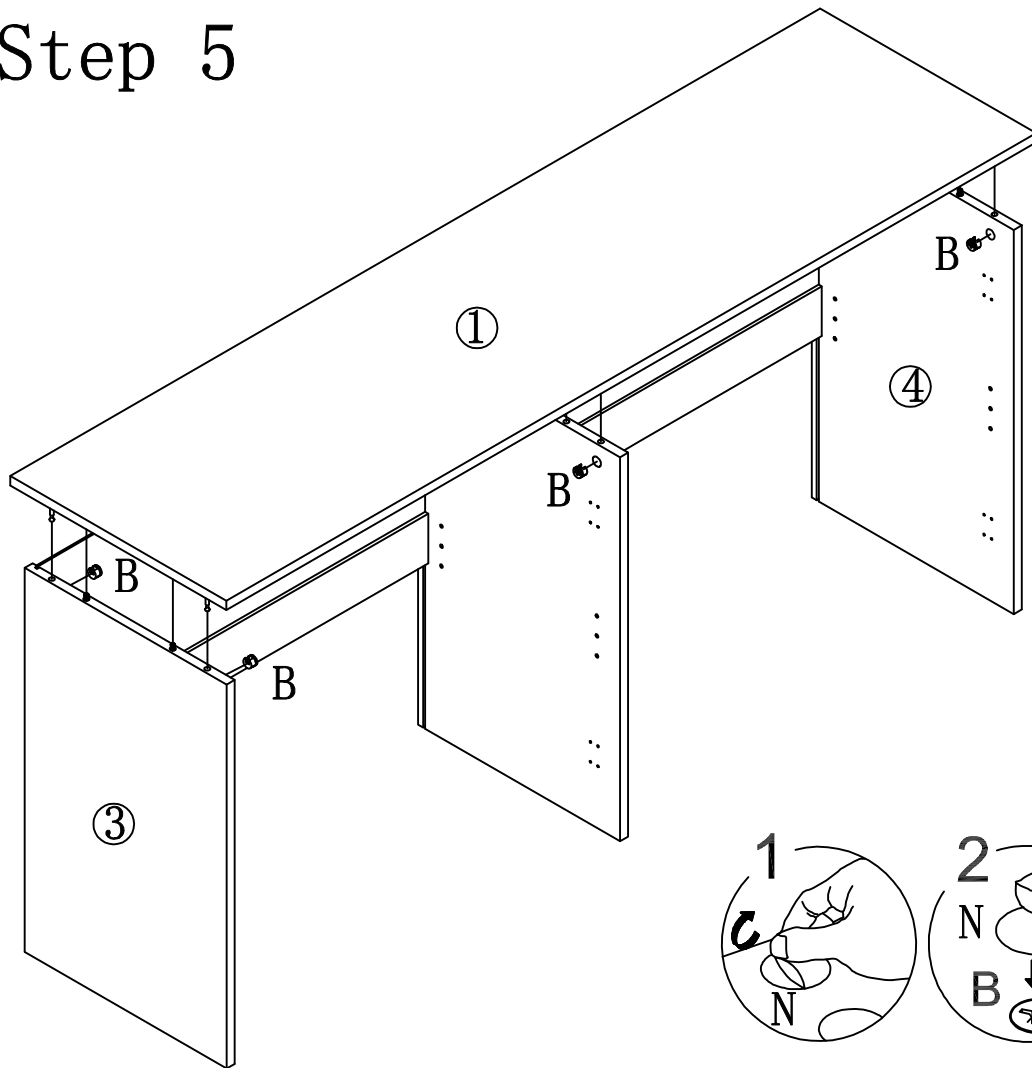
Step 3



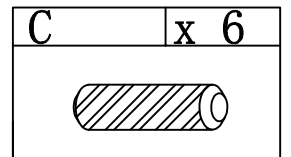
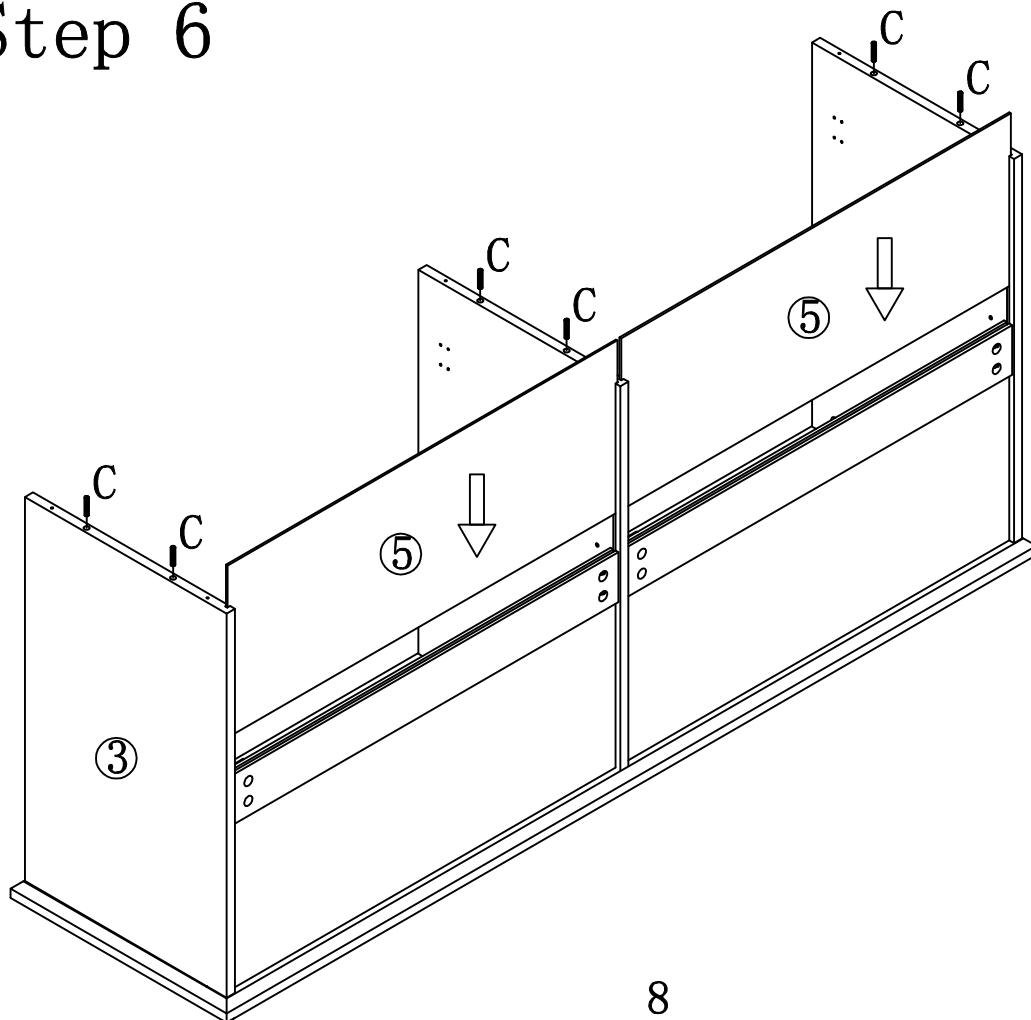
Step 4



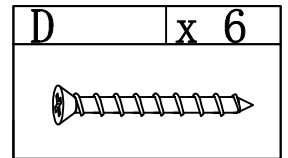
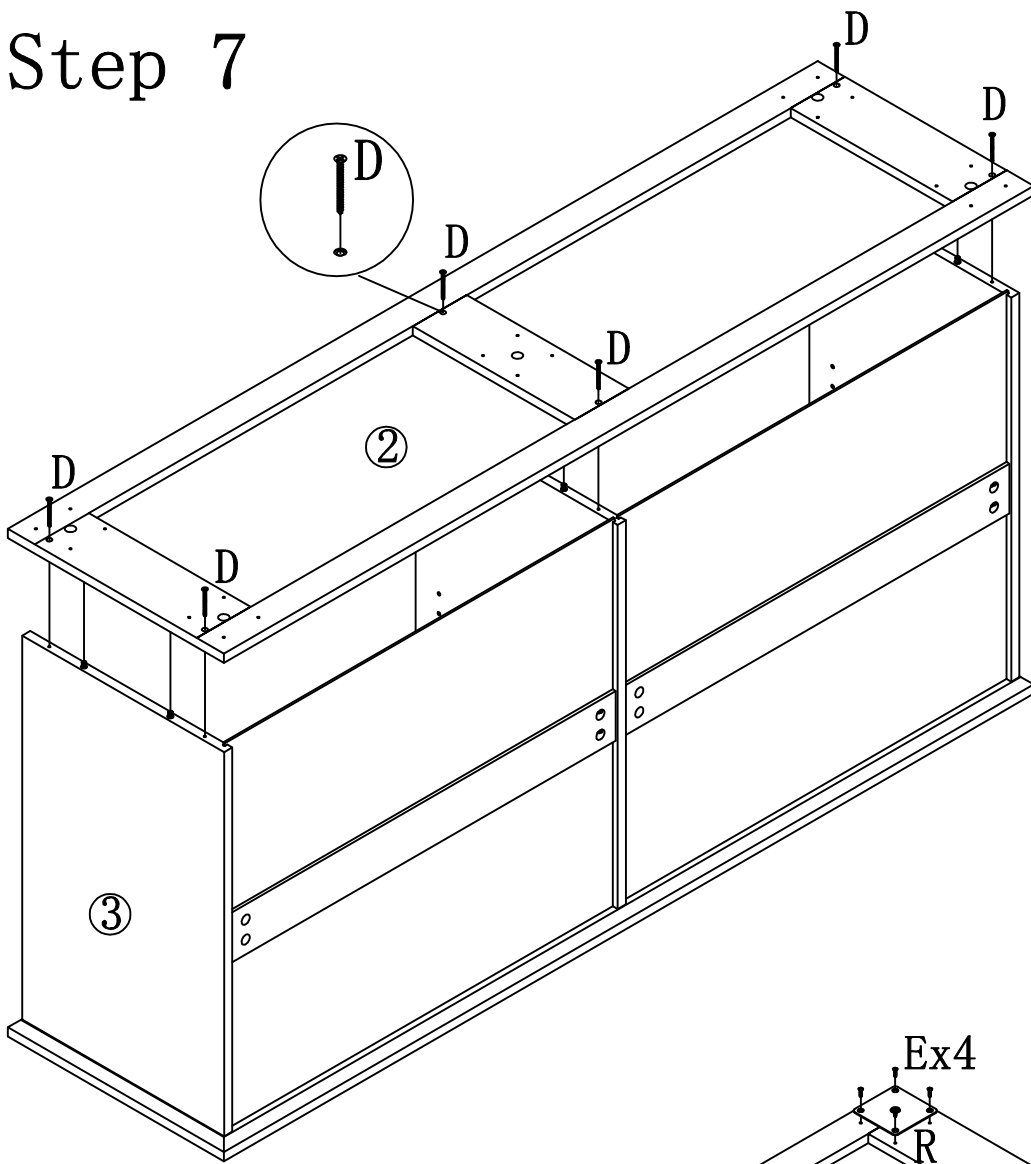
Step 5



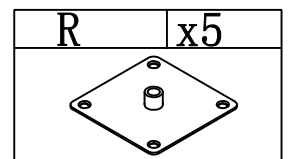
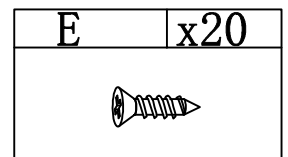
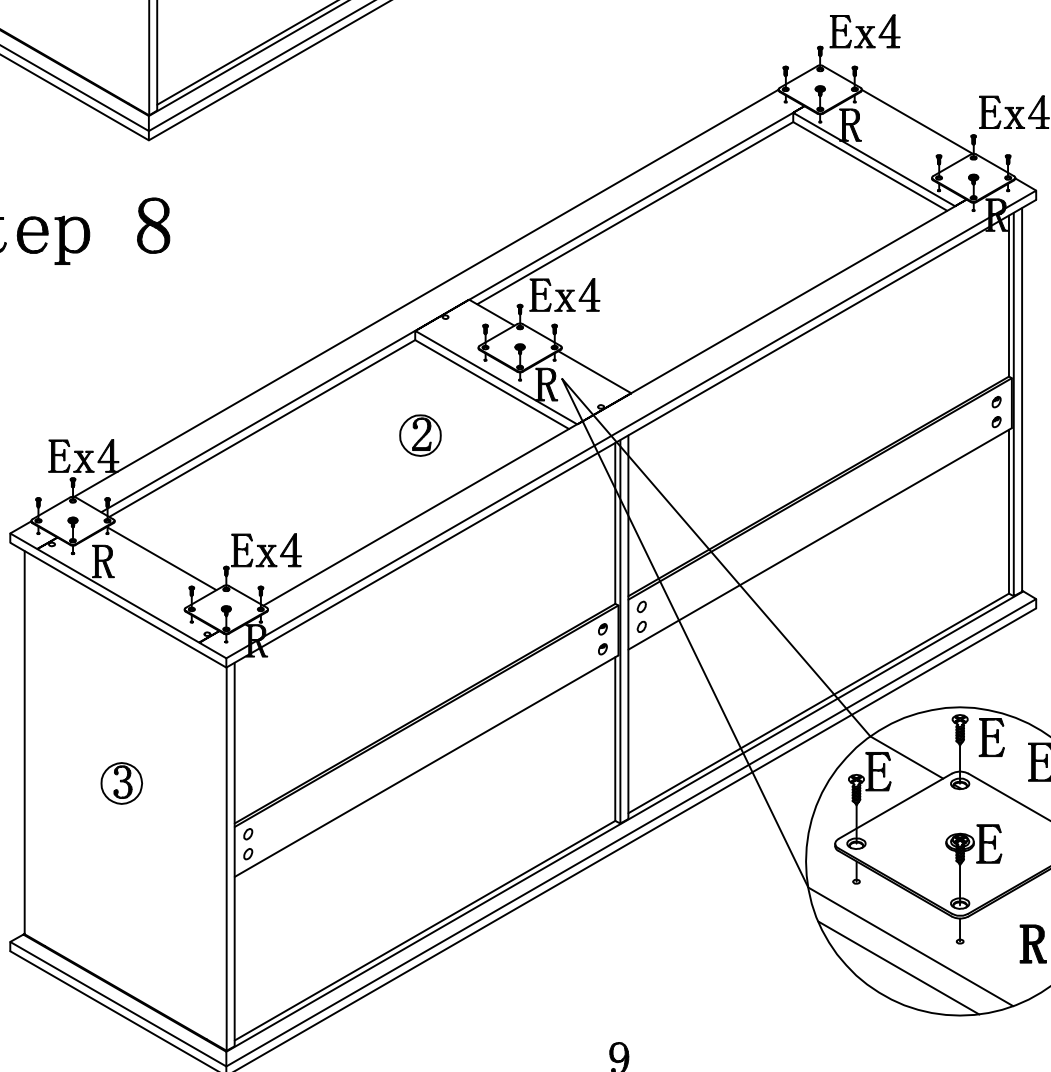
Step 6



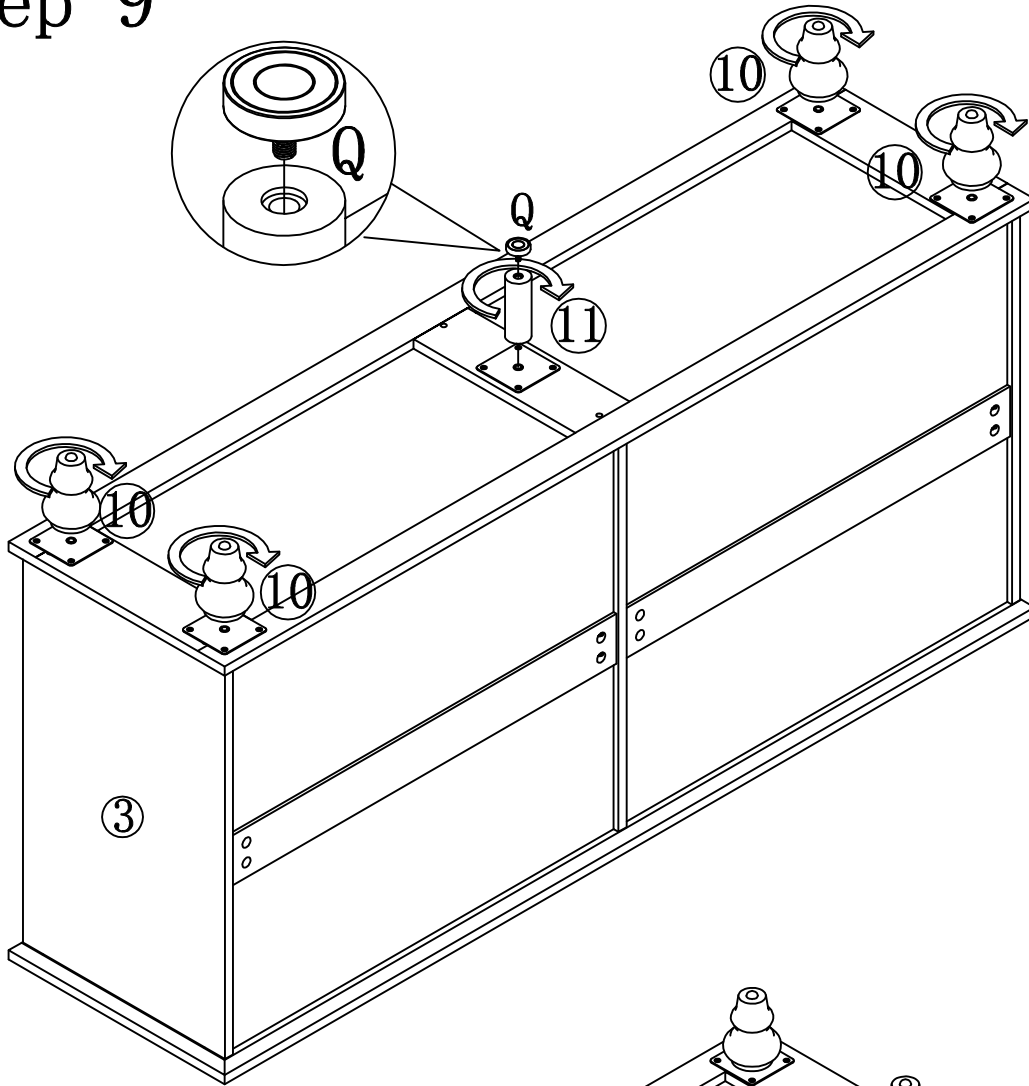
Step 7





Step 8

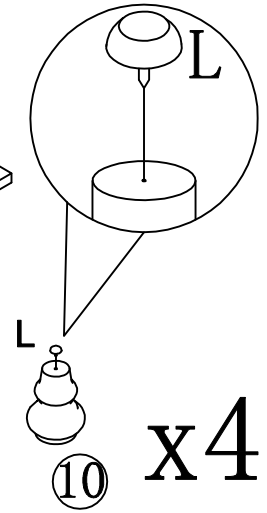


Step 9

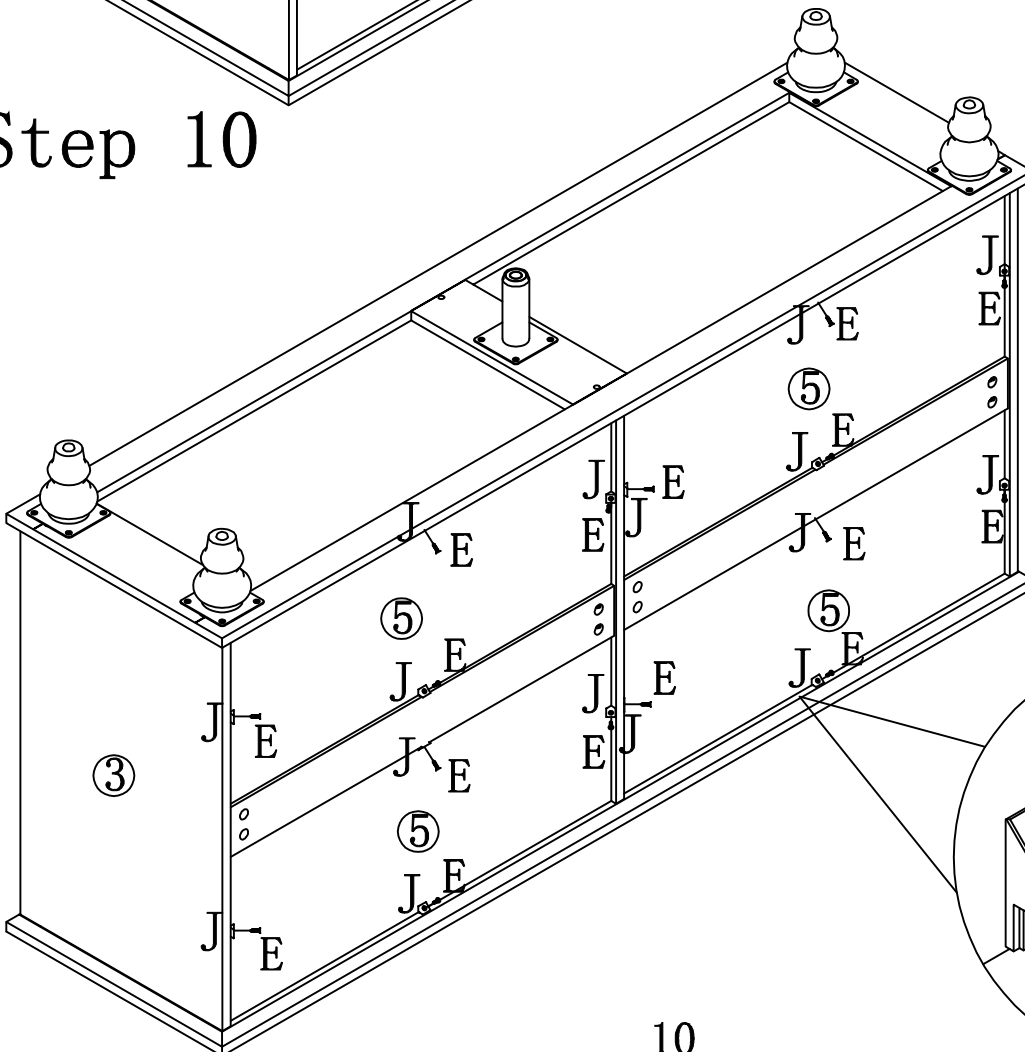


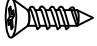
L	x 4
	

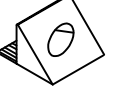
Q	x 1
	

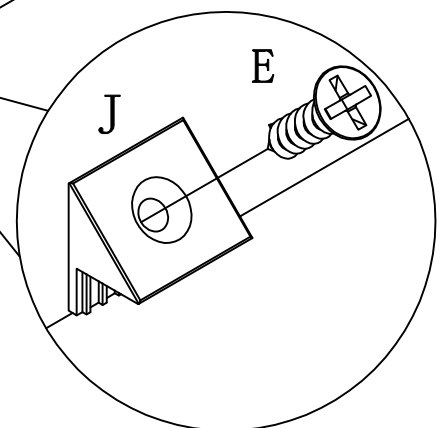


Step 10

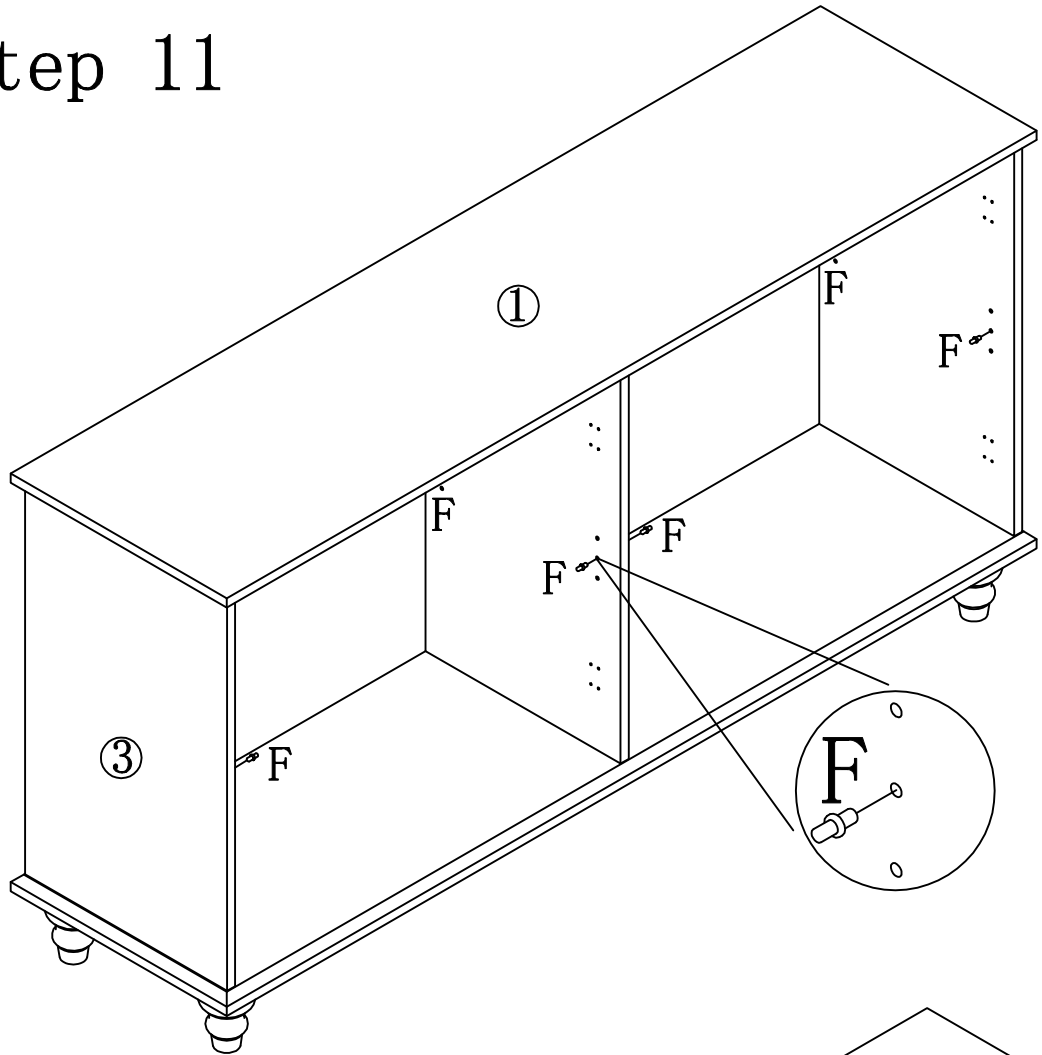


E	x 16
	

J	x 16
	

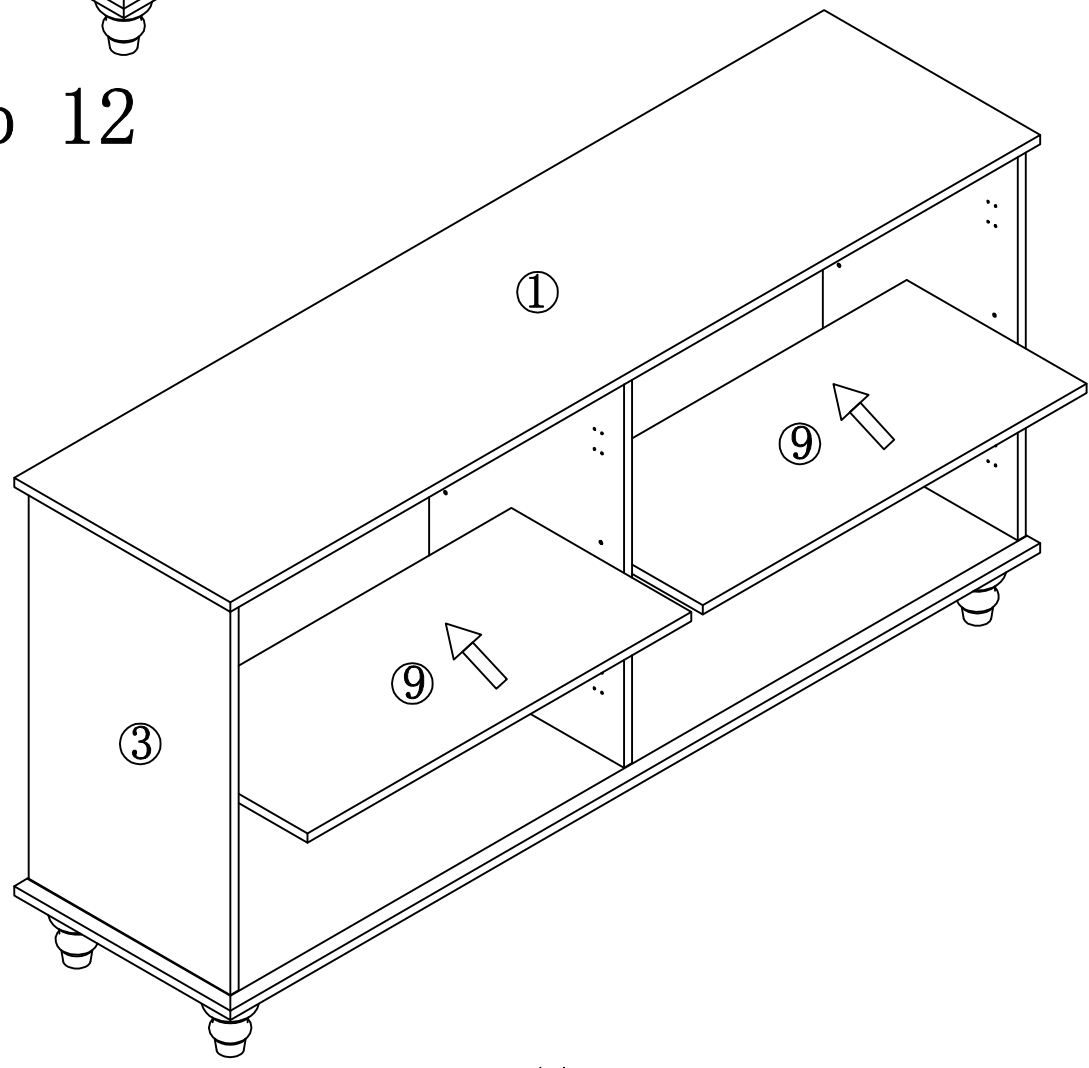


Step 11

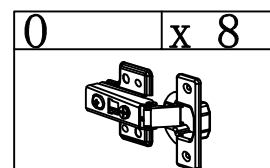
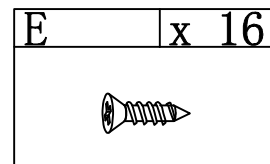
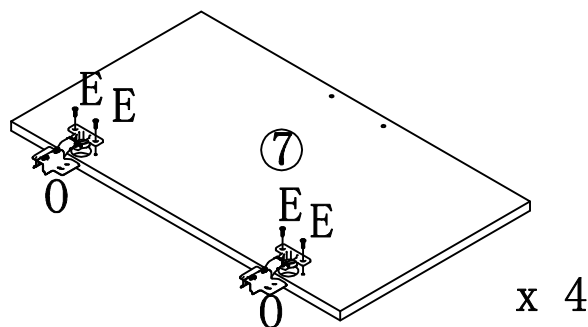


F	x 8

Step 12

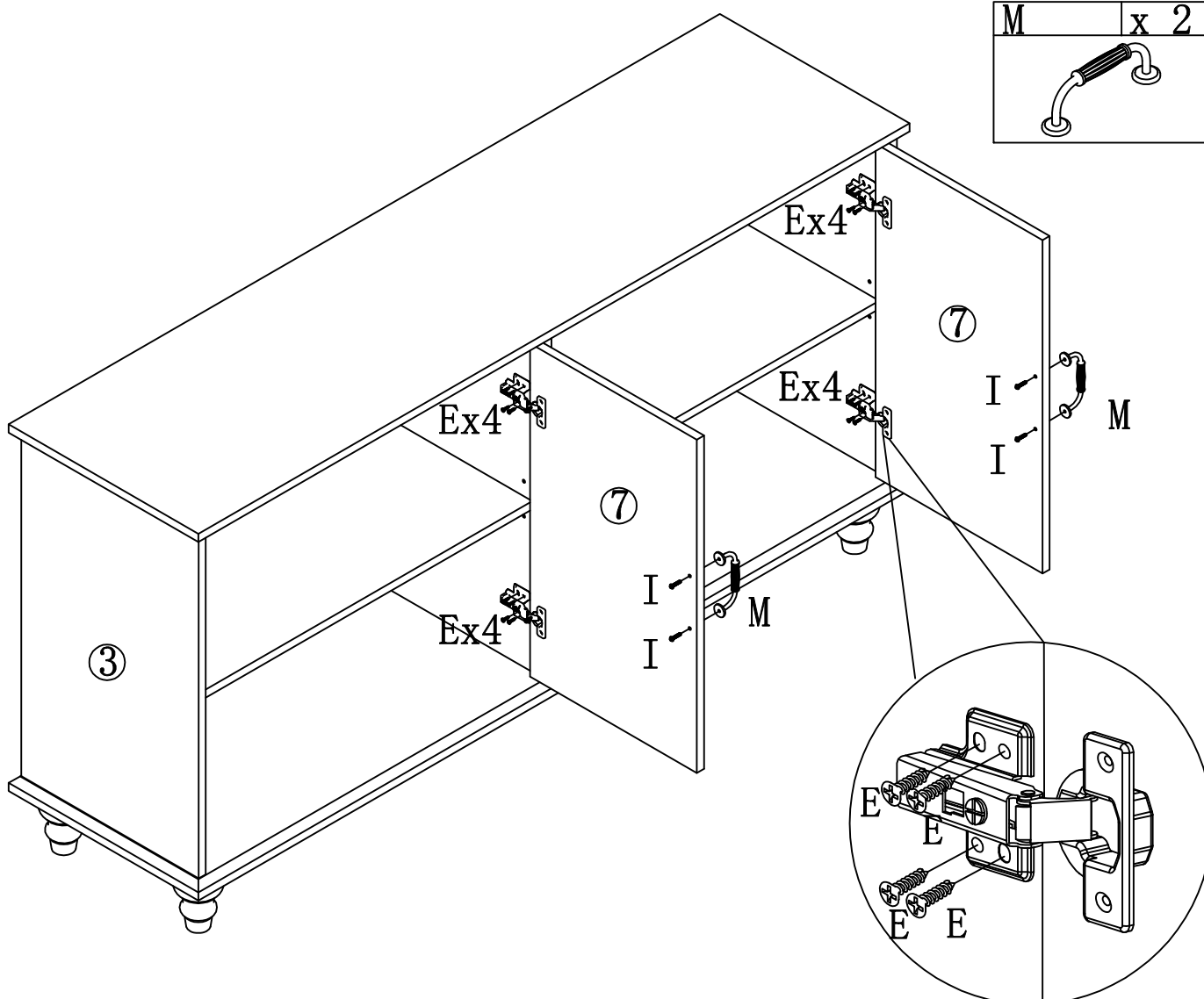
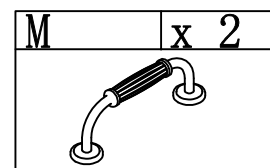
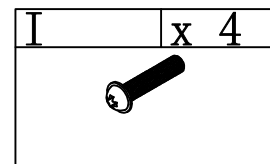
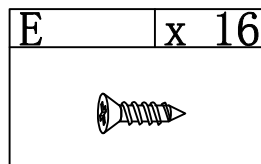


Step 13



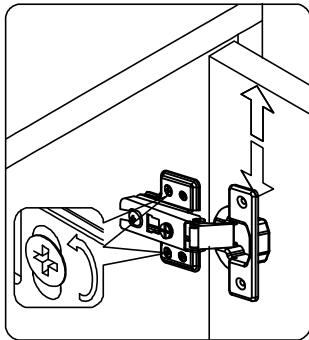
When assembling the panel,
please do not touch the groundy
directly to avoid scratching the !

Step 14-1

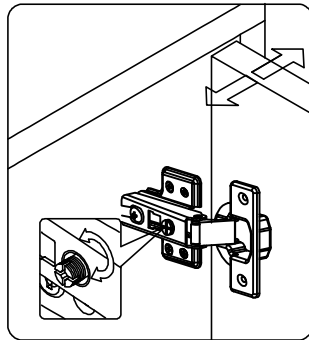


Step 14-2

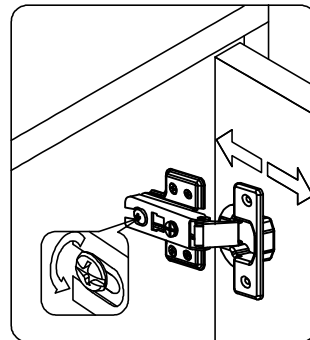
How do I get the two doors to align flat by adjusting the hinges?



1. Adjust the screws shown in Figure 1 to adjust the door up and down.

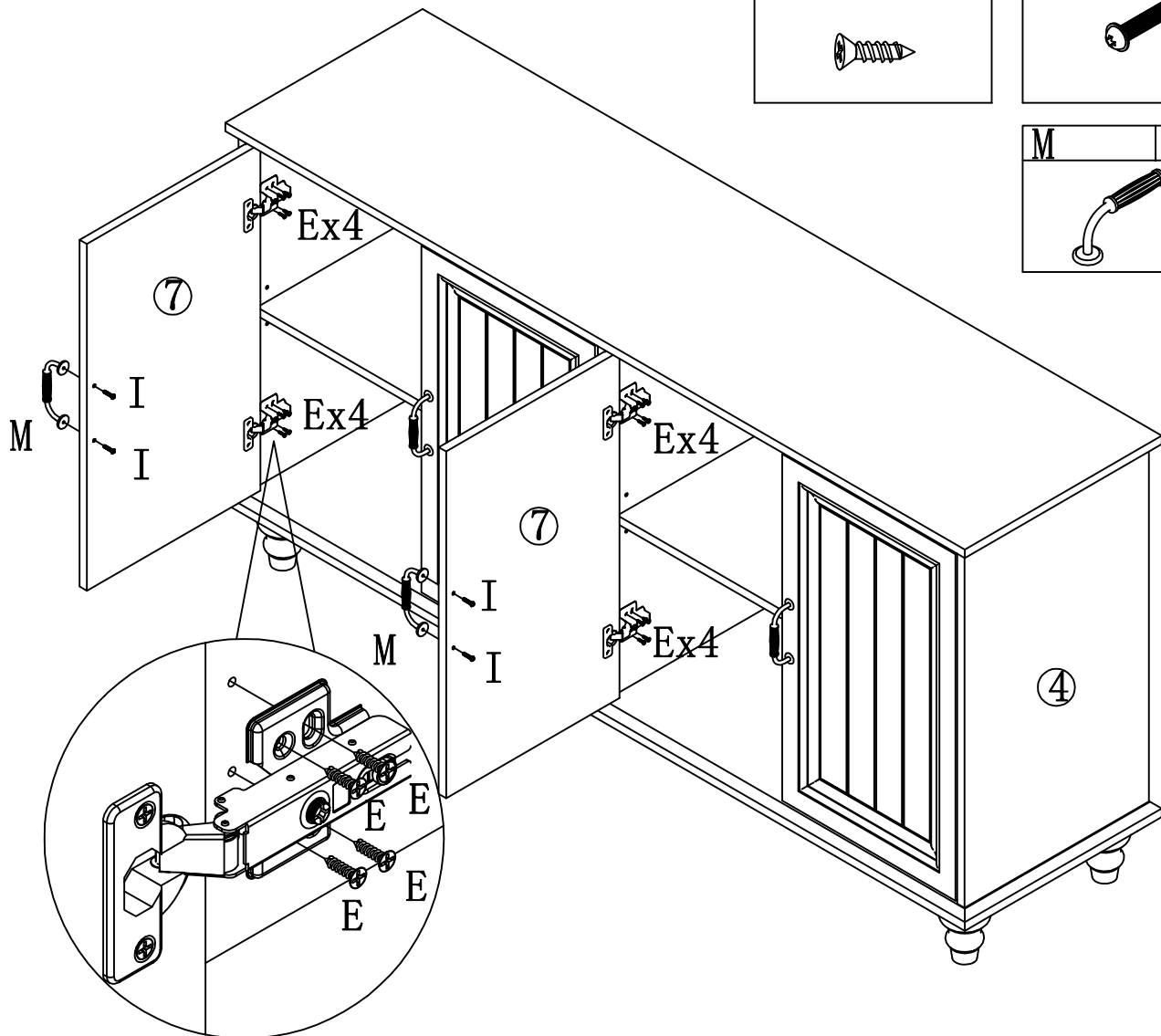
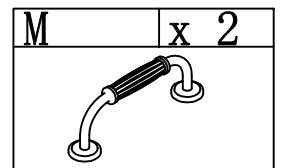
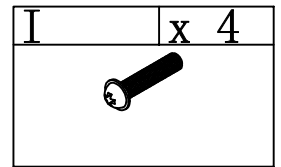
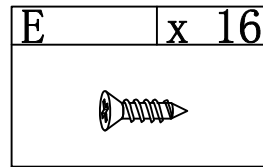


2. Adjust the screws shown in Figure 2 and pull the door back and forth so that it can be opened smoothly.



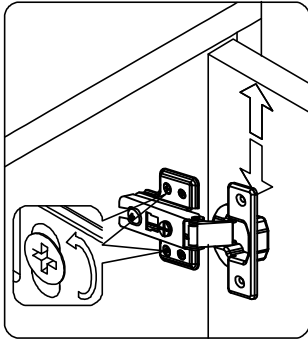
3. Adjust the screws shown in Figure 3 to adjust the door left and right to the right position.

Step 15-1

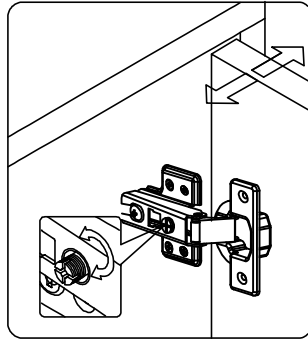


Step 15-2

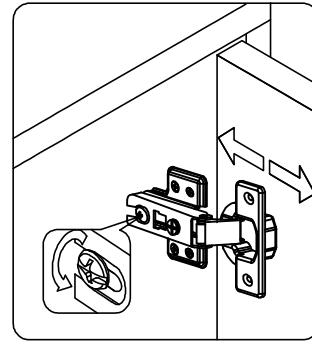
How do I get the two doors to align flat by adjusting the hinges?



1. Adjust the screws shown in Figure 1 to adjust the door up and down.

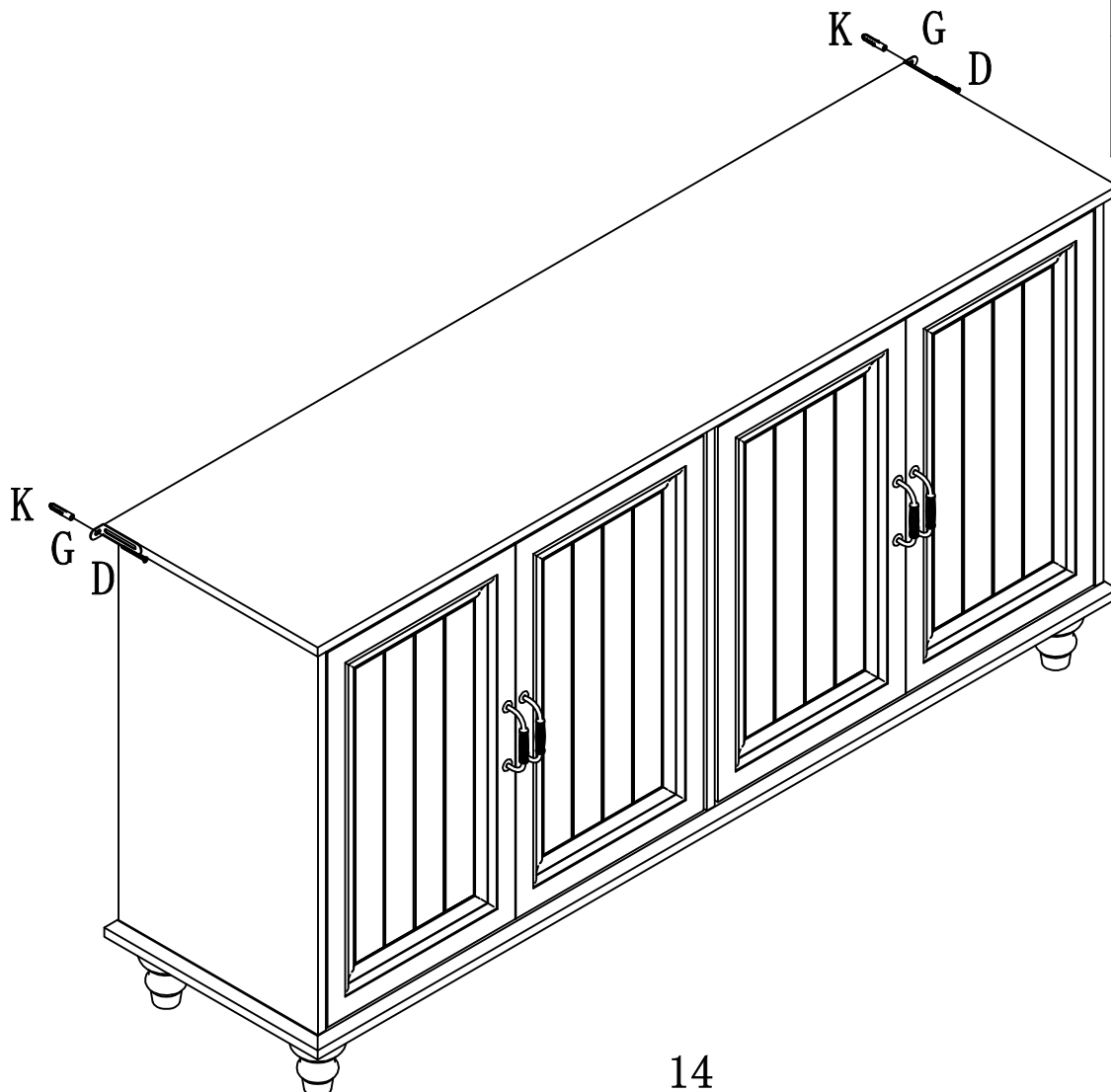
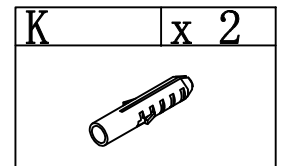
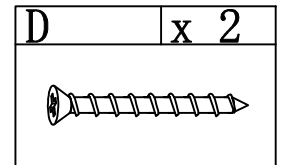
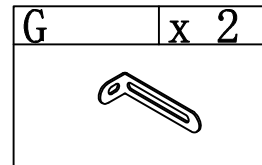


2. Adjust the screws shown in Figure 2 and pull the door back and forth so that it can be opened smoothly.




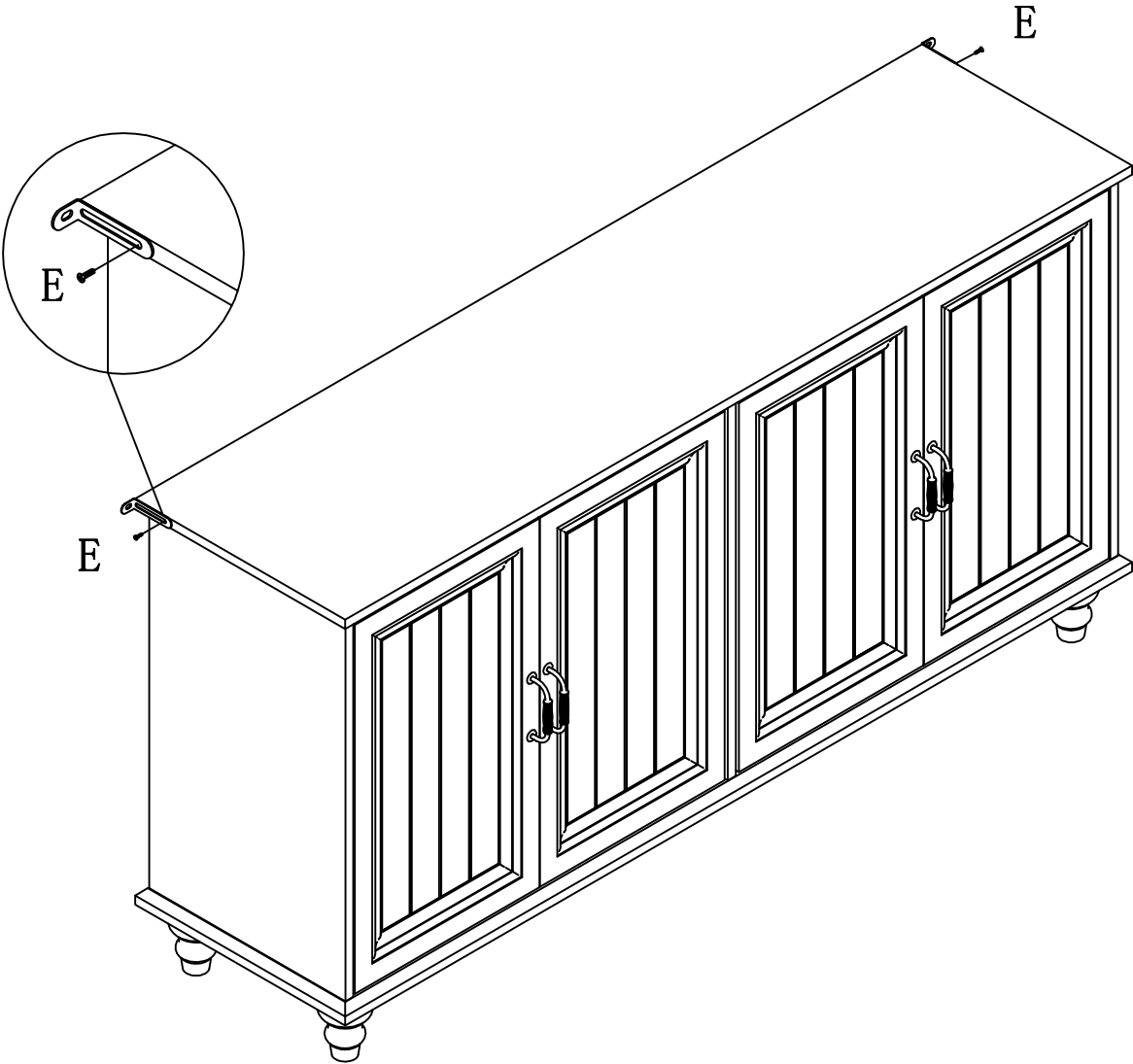
3. Adjust the screws shown in Figure 3 to adjust the door left and right to the right position.

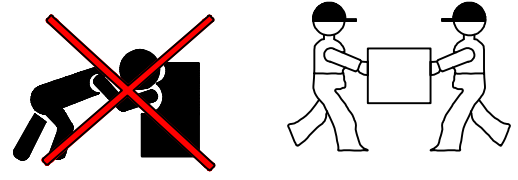
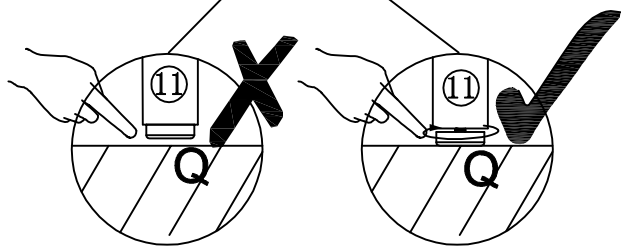
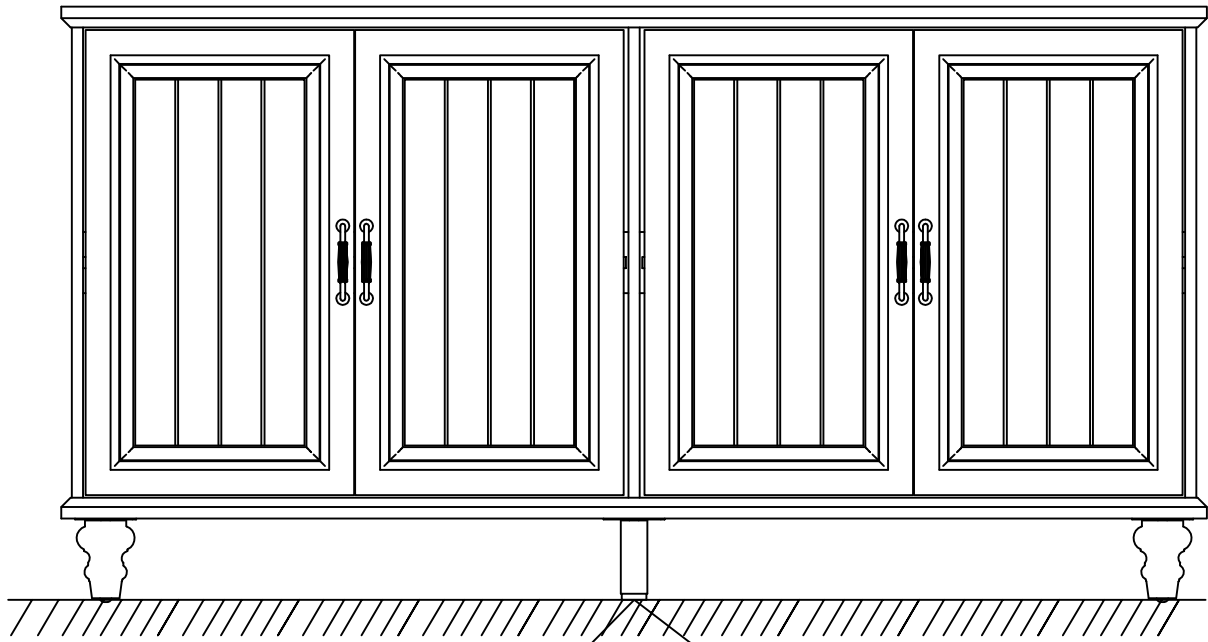
Step 16



Step 17

E	x 2
	





Two people work together to move the table.
Make sure you lift it off the ground.
Don't push and pull.