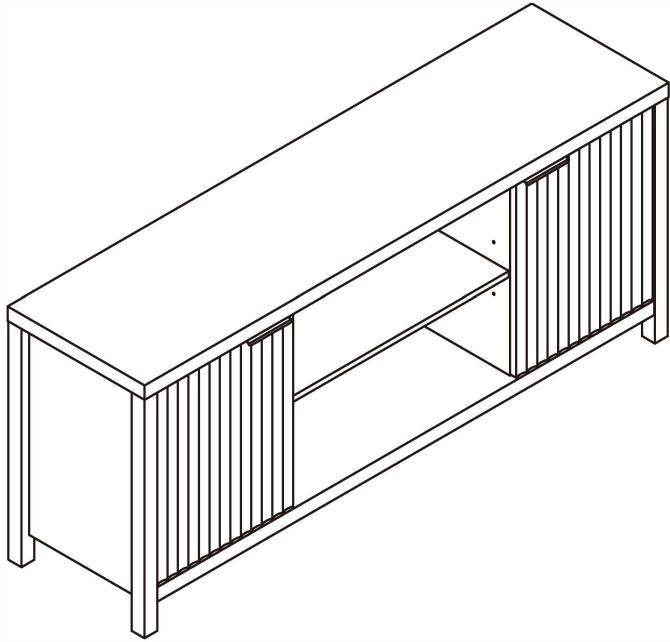
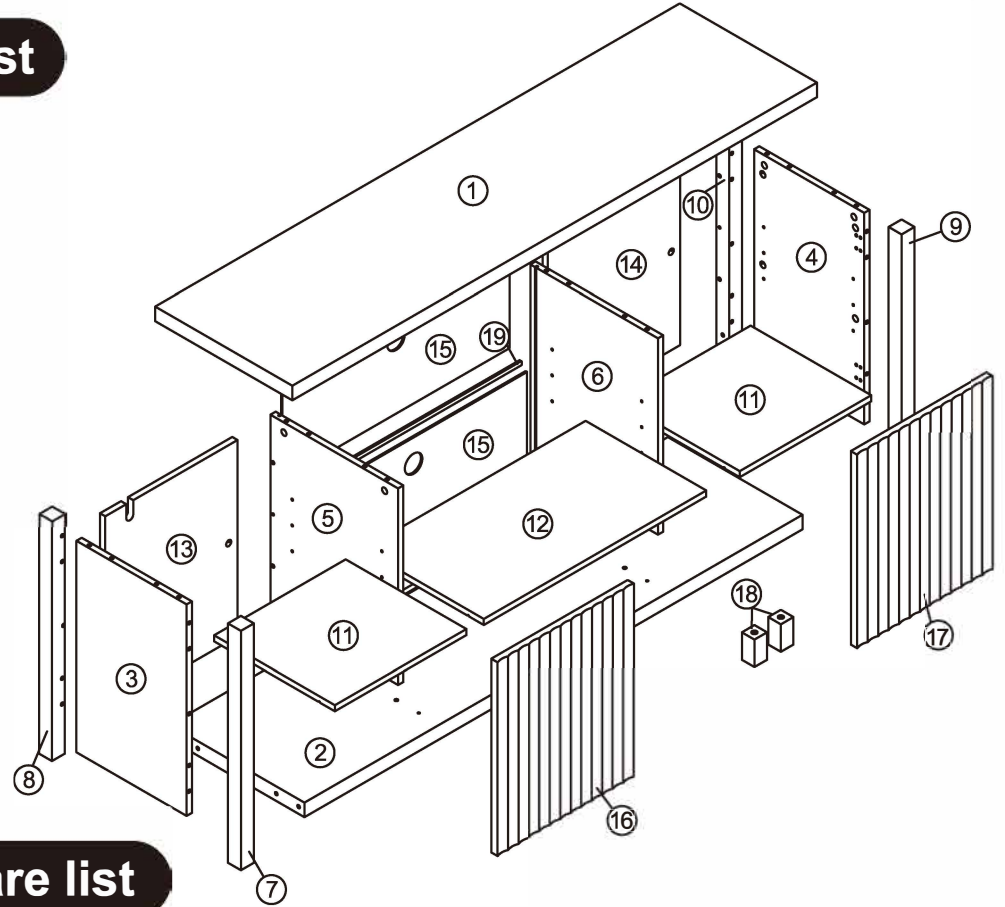



















Installation & Assembly



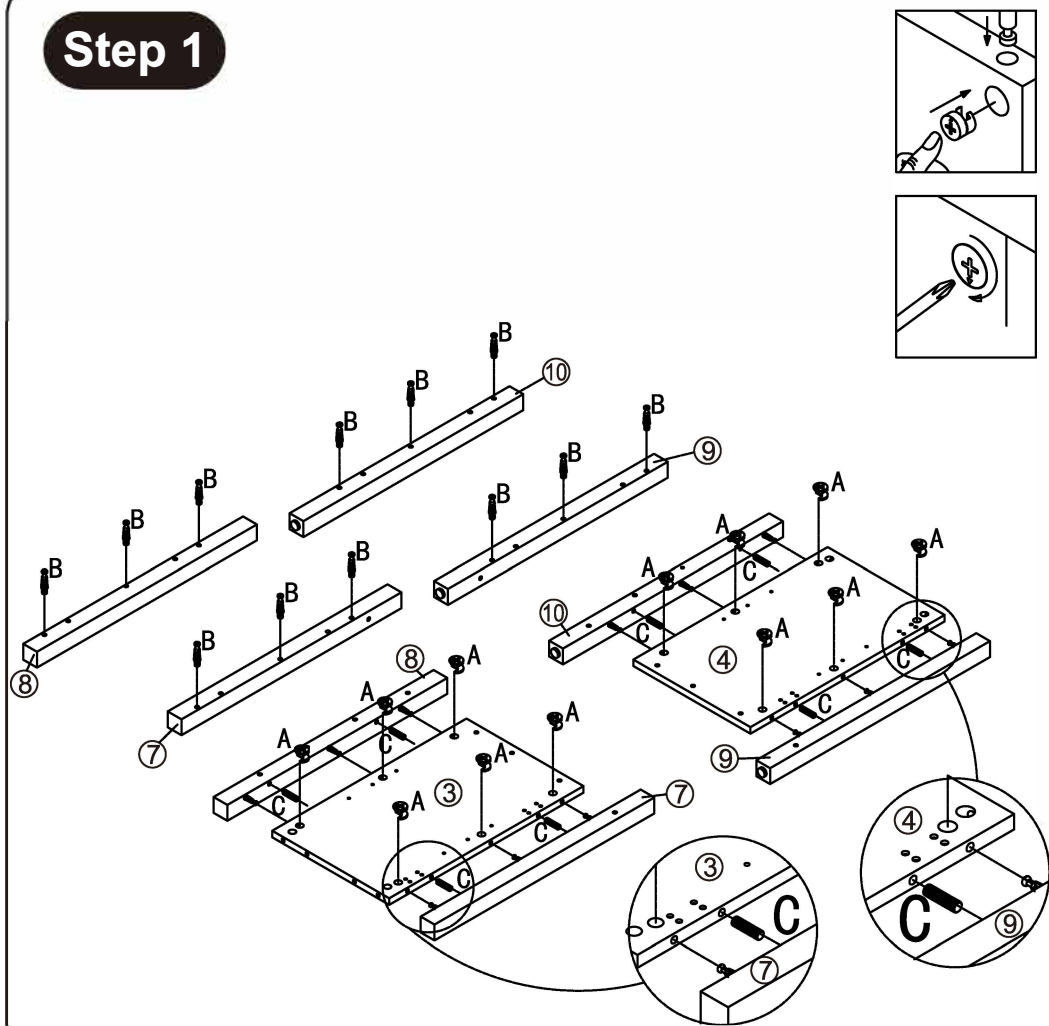
Parts list



Hardware list

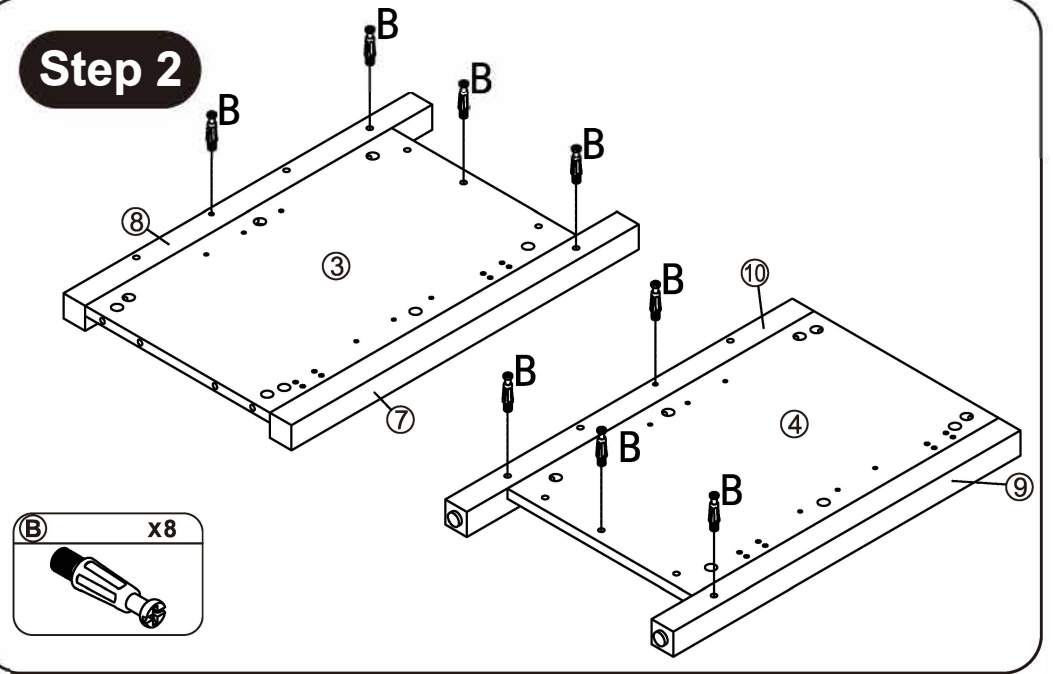
A x30 $\phi 15 \times 9.5 \text{MM}$ 	B x30 $\phi 6 \times 24 \text{MM}$ 	C x32 $\phi 8 \times 30 \text{MM}$ 	D x4 	E x4 $\phi 4.2 \times 50 \text{MM}$ 	
F x12 	G x24 $\phi 4 \times 14 \text{MM}$ 	H x4 $\phi 3.5 \times 12 \text{MM}$ 	I x6 $\phi 3 \times 16 \text{MM}$ 	J x2 	K x6 
L x2 	M x2 	N x2 	O x2 $\phi 4 \times 35 \text{MM}$ 	P x2 $\phi 4 \times 15 \text{MM}$ 	Q x24 $\phi 20 \text{MM}$ 

Step 1



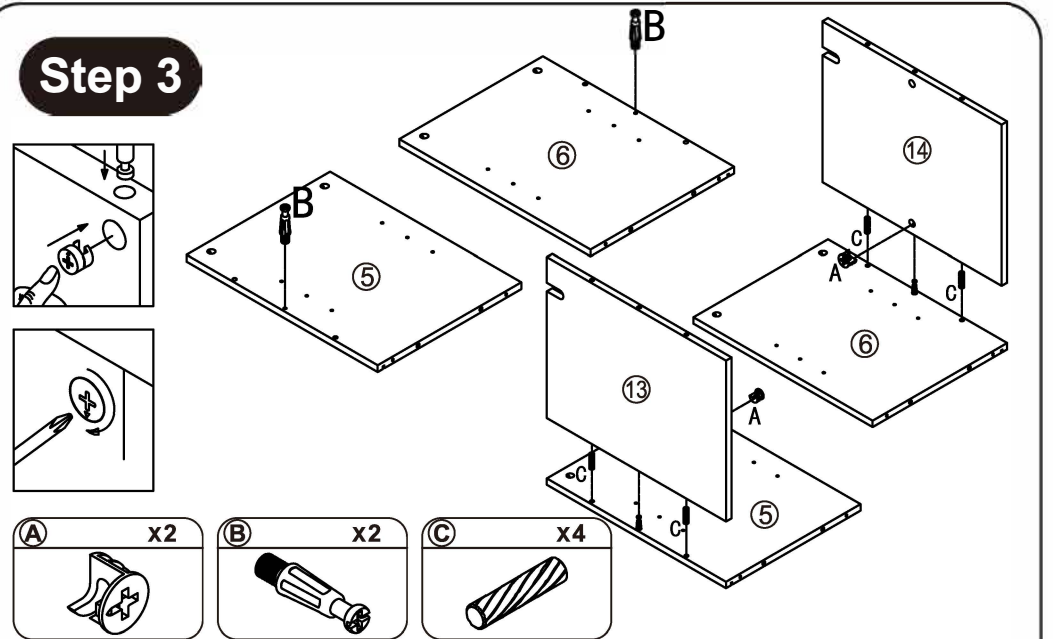
- (A) x12
- (B) x12
- (C) x8

Step 2



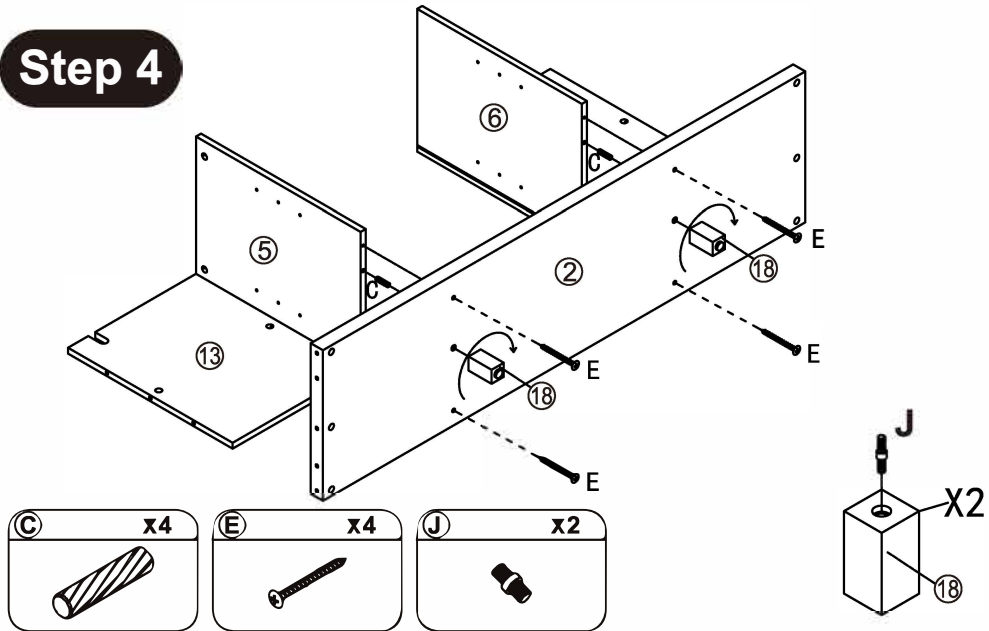
- (B) x8

Step 3

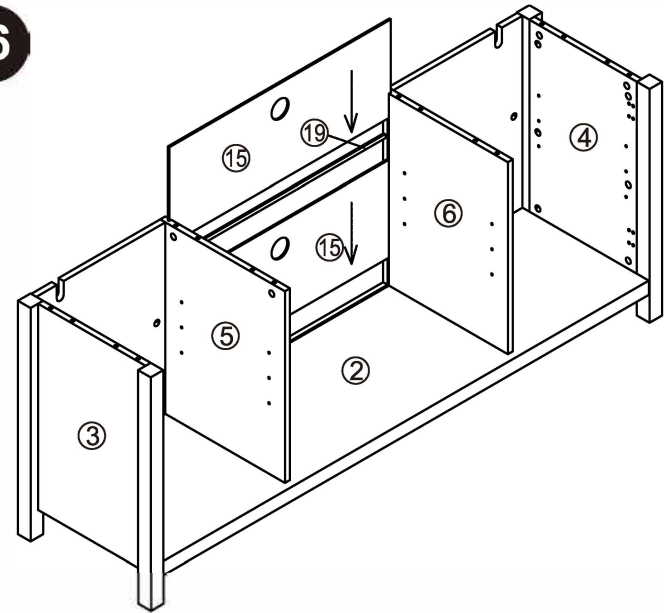


- (A) x2
- (B) x2
- (C) x4

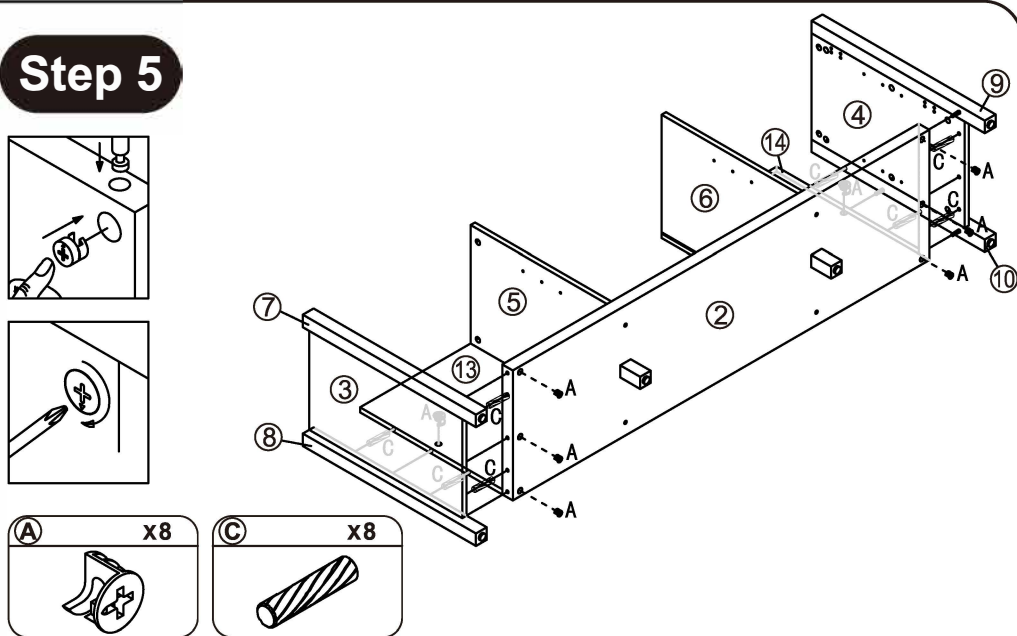
Step 4



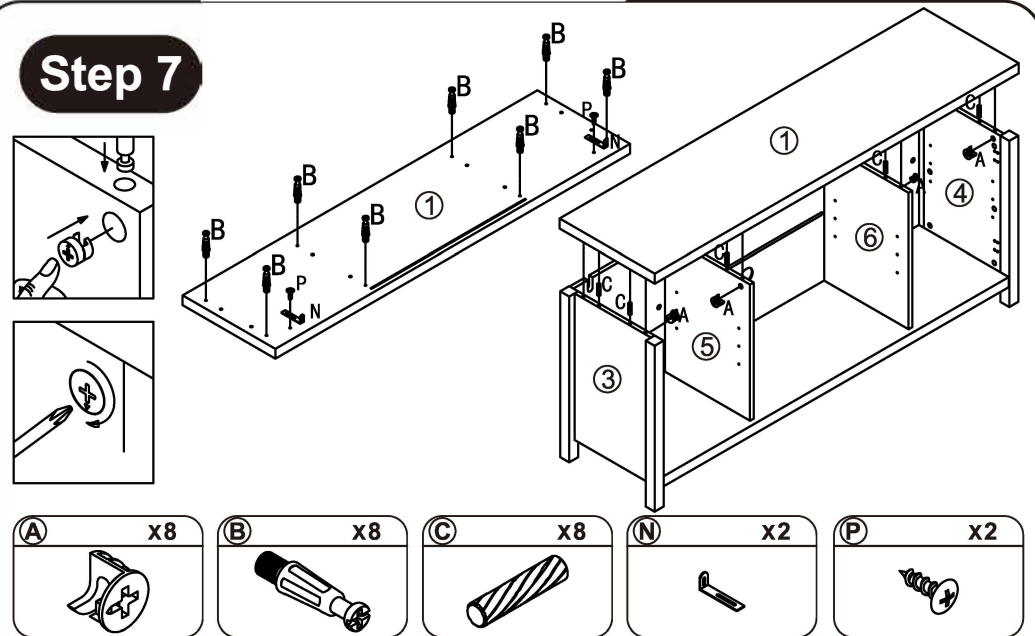
Step 6



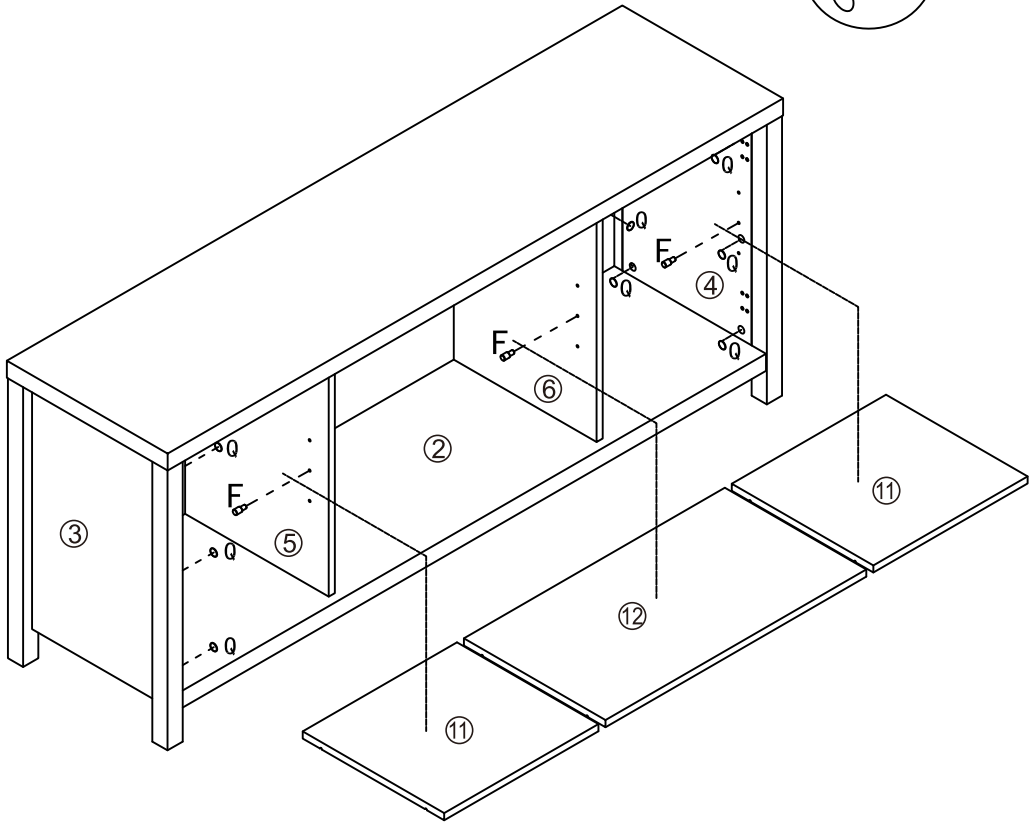
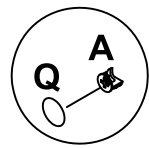
Step 5





Step 7

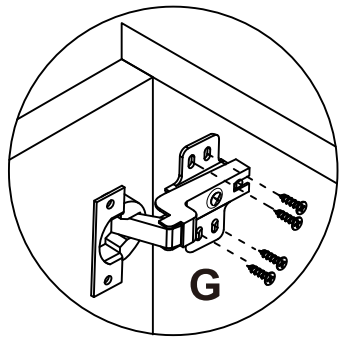
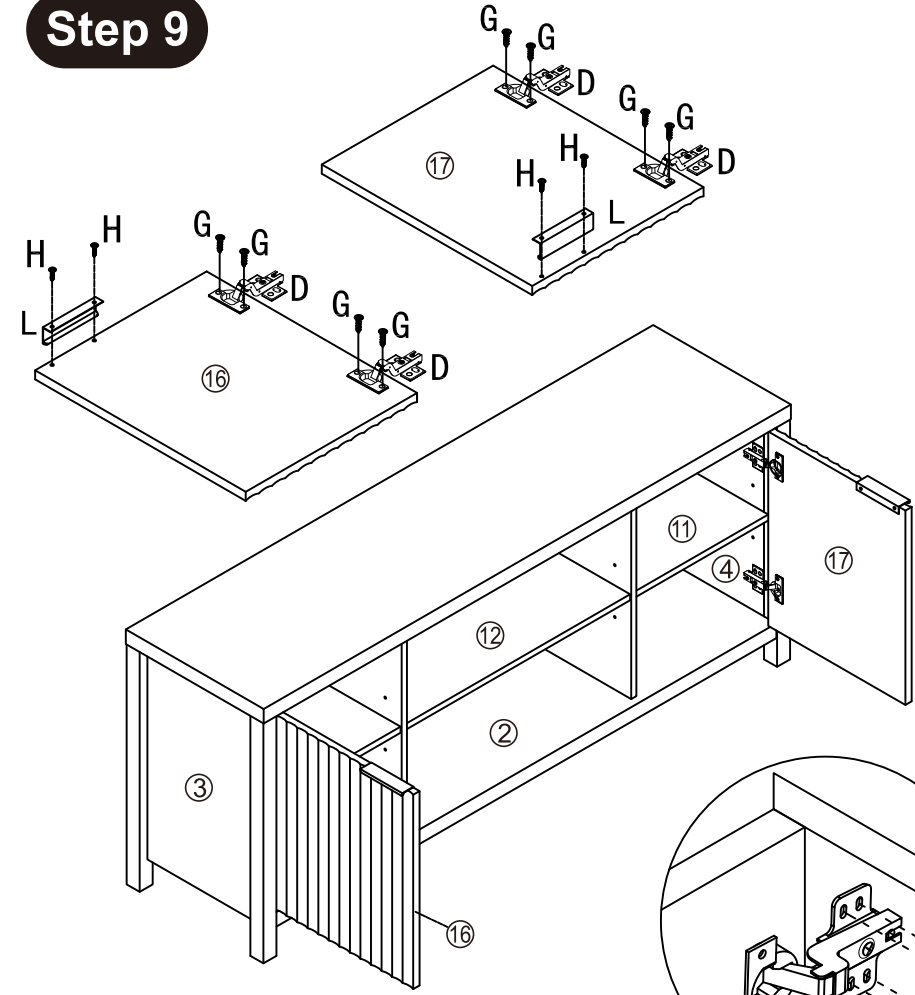


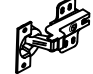


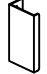
Step 8



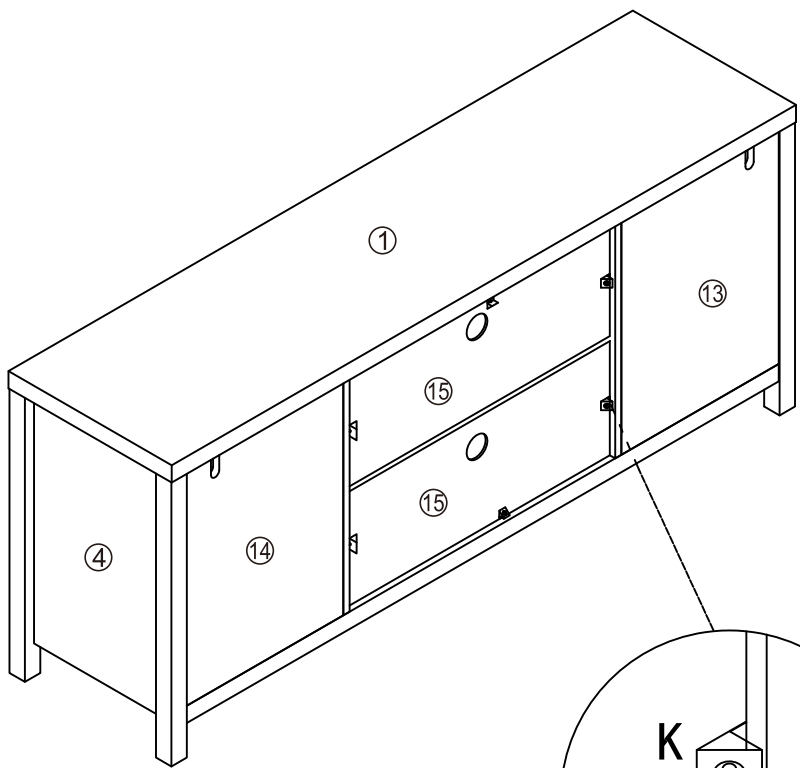
- F** x12 
- Q** x24 

Step 9



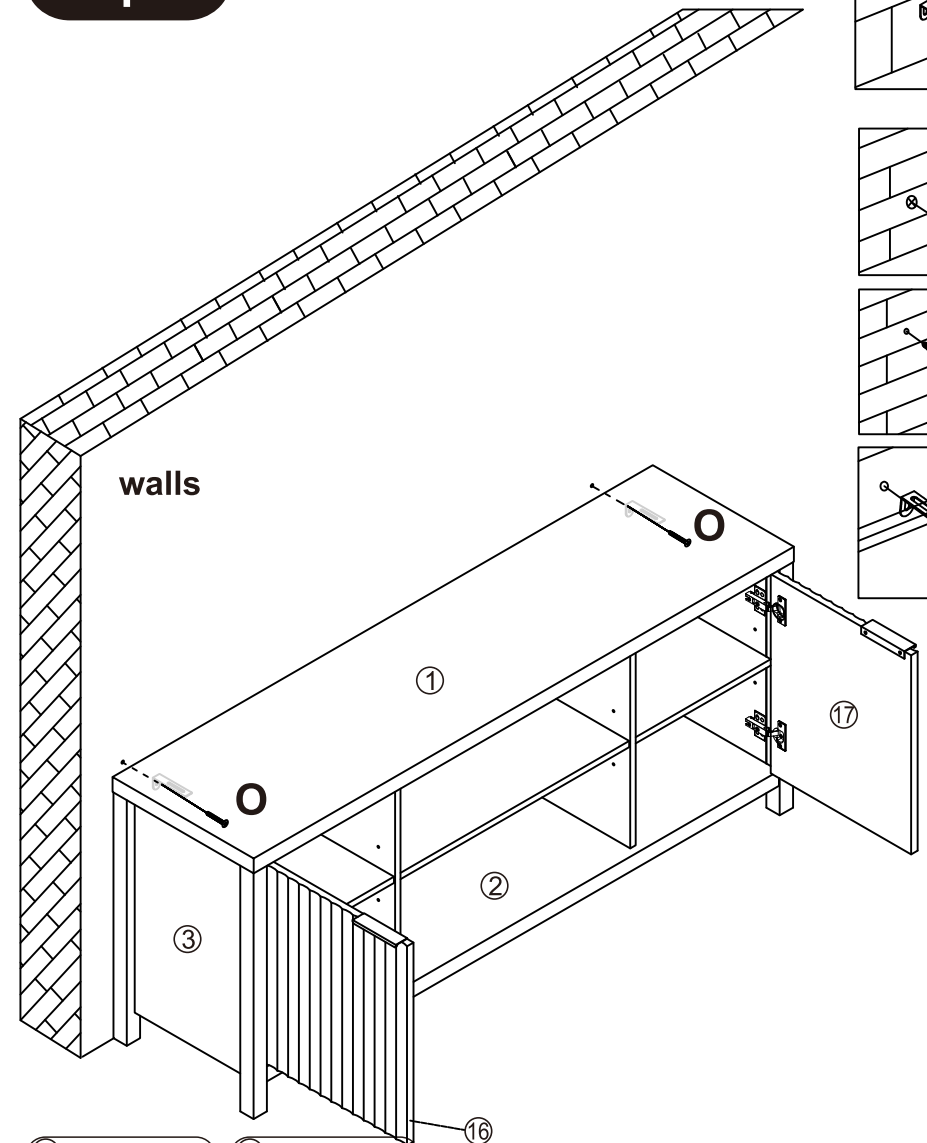
- D** x4 
- G** x24 
- H** x4 
- L** x2 

Step 10



- (K) x6
- (L) x6

Step 11

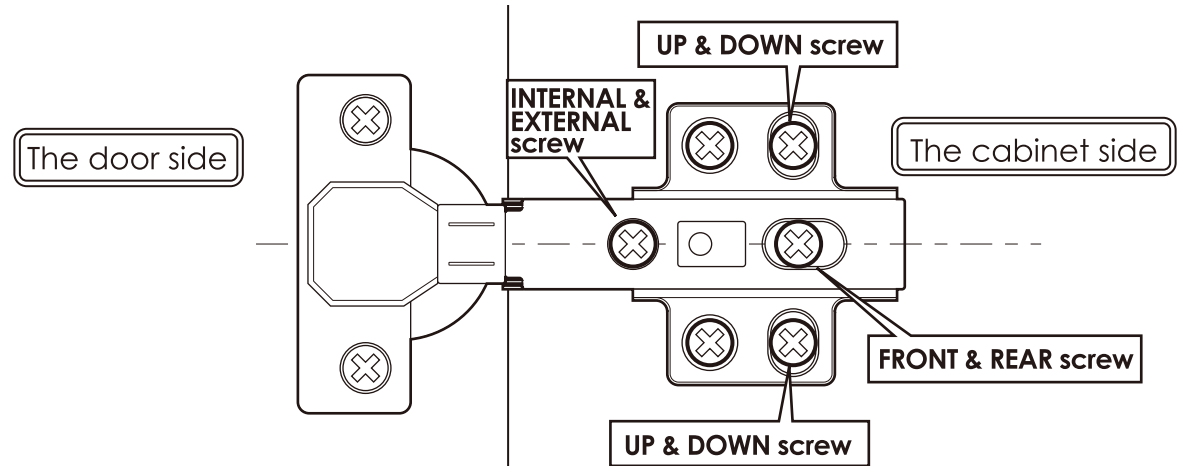


- (O) x2
- (M) x2

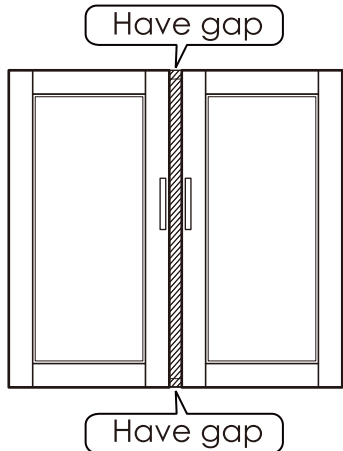
Adjusting the door

- Before adjusting the hinge, please check whether the cabinet is skewed.
- If the skew can not be repaired, please remove the anti-tipping device first, then adjust the cabinet to vertical position.
- Please adjust the hinge with the door open.
- Please operate it with more than 2 people, one person holds the door and the other one adjusts the screw.

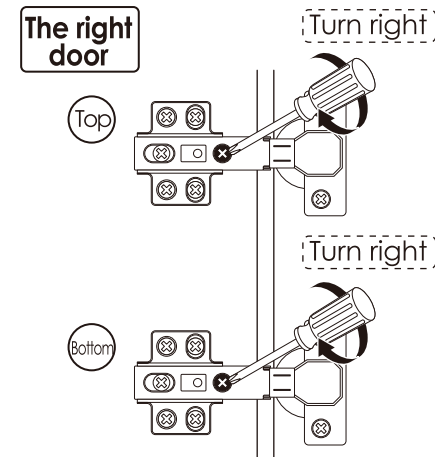
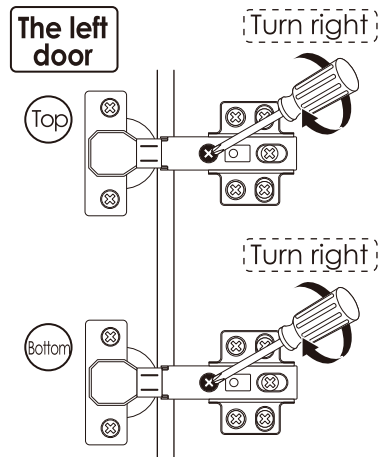
Components Name



Obvious gaps between doors or Doors don't look closed



1 Turn "internal & external screw" to the right can make the door approach inside. Please adjust the doors little by little.



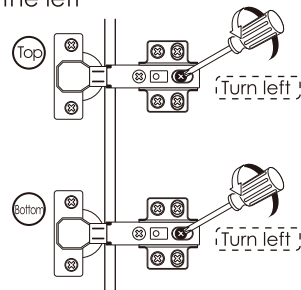
※ If the 2 doors are overlap, please turn the "internal & external screw" to the left.

When door is crooked



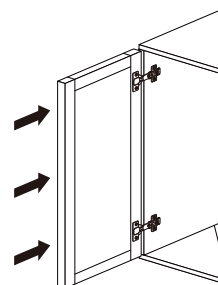
Please take the following steps to adjust first.

- 1 Rotate the "front and rear screws" to the left

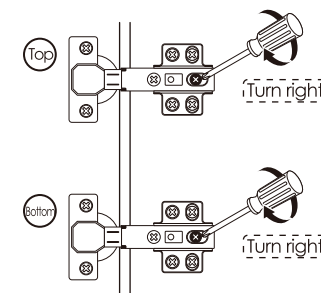


※ After adjusting the "front and rear screw", the door still does not change, please turn the "internal & external screw" to the right Slightly.

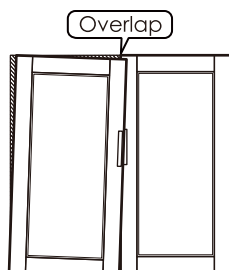
- 2 Push the door to the cabinet



- 3 Rotate the "front and rear screws" to the right

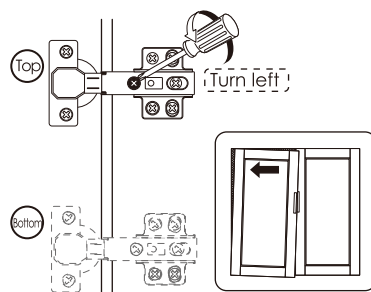


When door is leaning

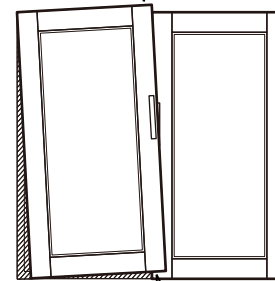


Protruding to the underside

- 1 Turn "internal & external screw" to the left can make the top of the door tilted outward.

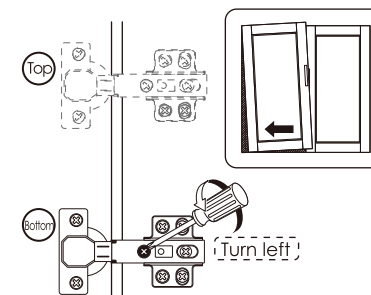


Protruding to the upside

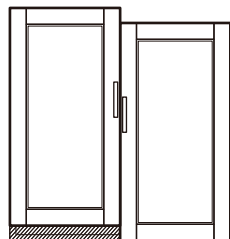


Overlap

- 1 Turn "internal & external screw" to the left can make the bottom of the door tilted outward.

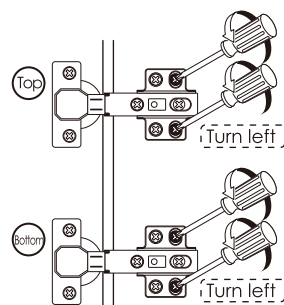


When the door is higher on top

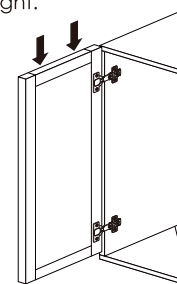


Have gap

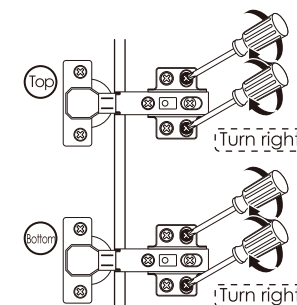
- 1 Turn "up & down screw" to the left



- 2 Lower the door's height so that 2 doors are of the same height.

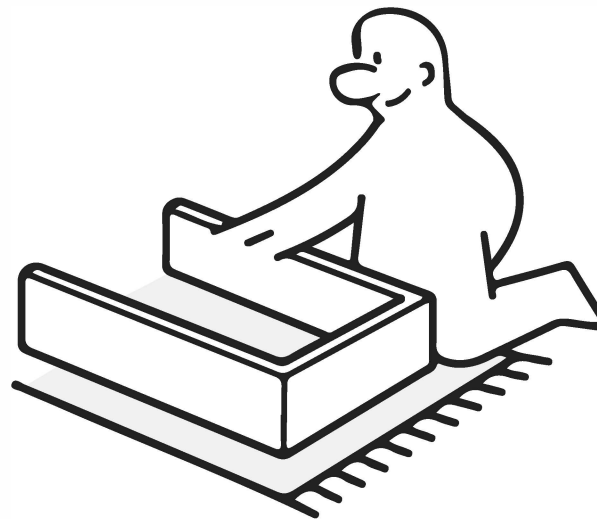
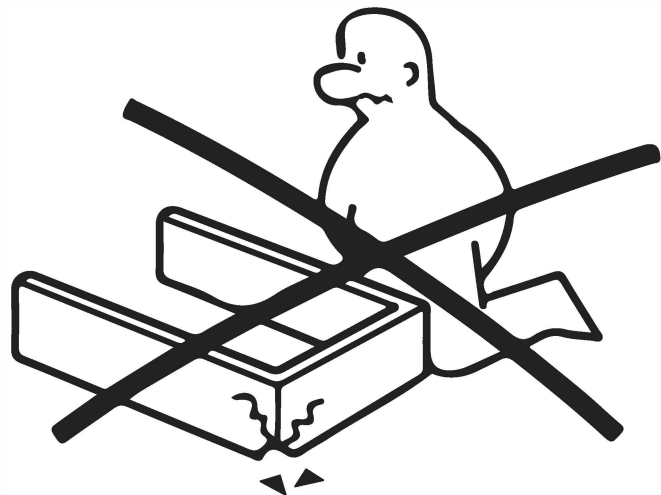


- 3 Turn "up & down screw" to the right



※ If the door is lower on bottom, please lift up the left door slightly on step 2

※ **Stay Scratch-Free: Safeguard Your Furniture by Assembling on Carpet.**



※ **Stuck in Assembly? Check out our website or contact our support team for quick solutions!**

