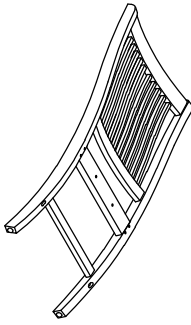
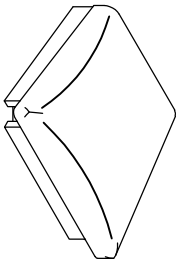
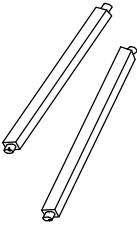
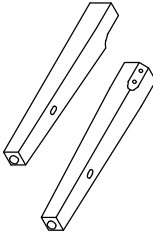


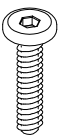
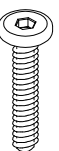
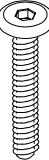


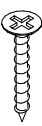

BEST QUALITY FURNITURE
ASSEMBLY INSTRUCTIONS

Description: SIDE CHAIR
Item No: D160 & D162-SC

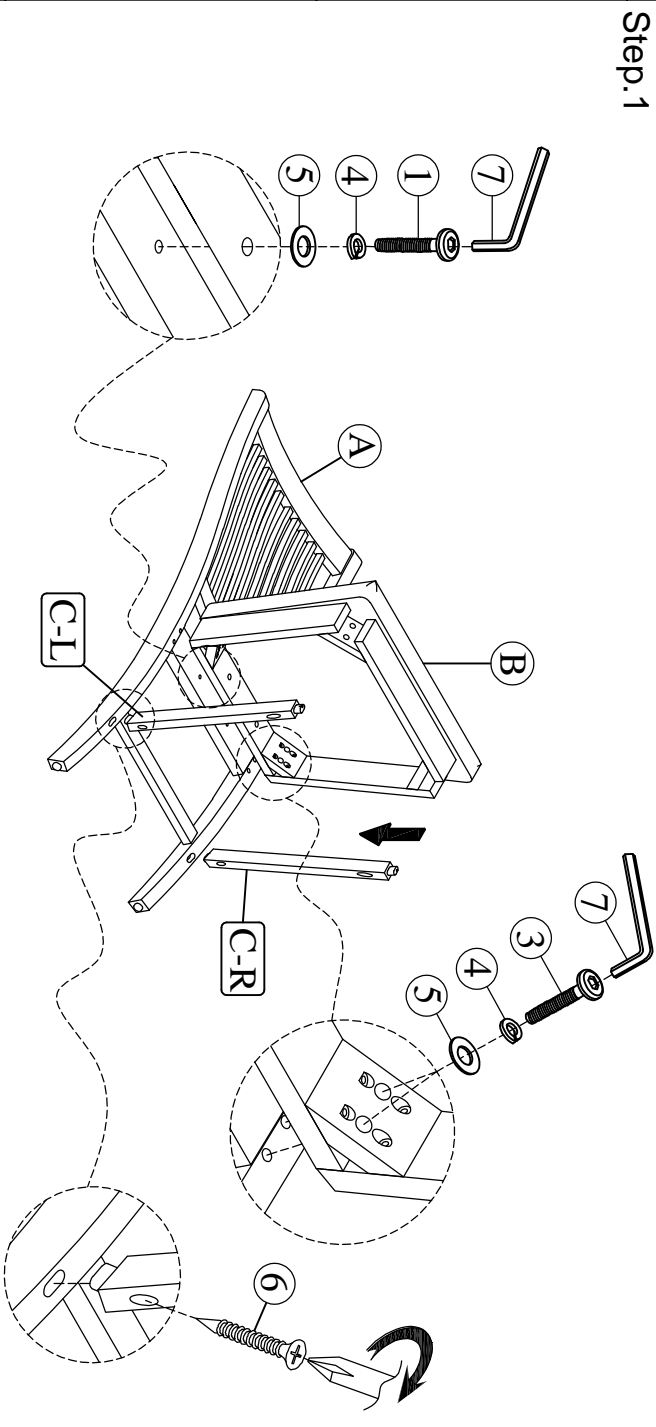
LIST OF PARTS

(A) Back Frame 	(B) Cushion Seat 
1 pc	1 pc
(C) Side Stretchers (L/R) 	(D) Front Leg (L/R) 
2 pcs	2 pcs

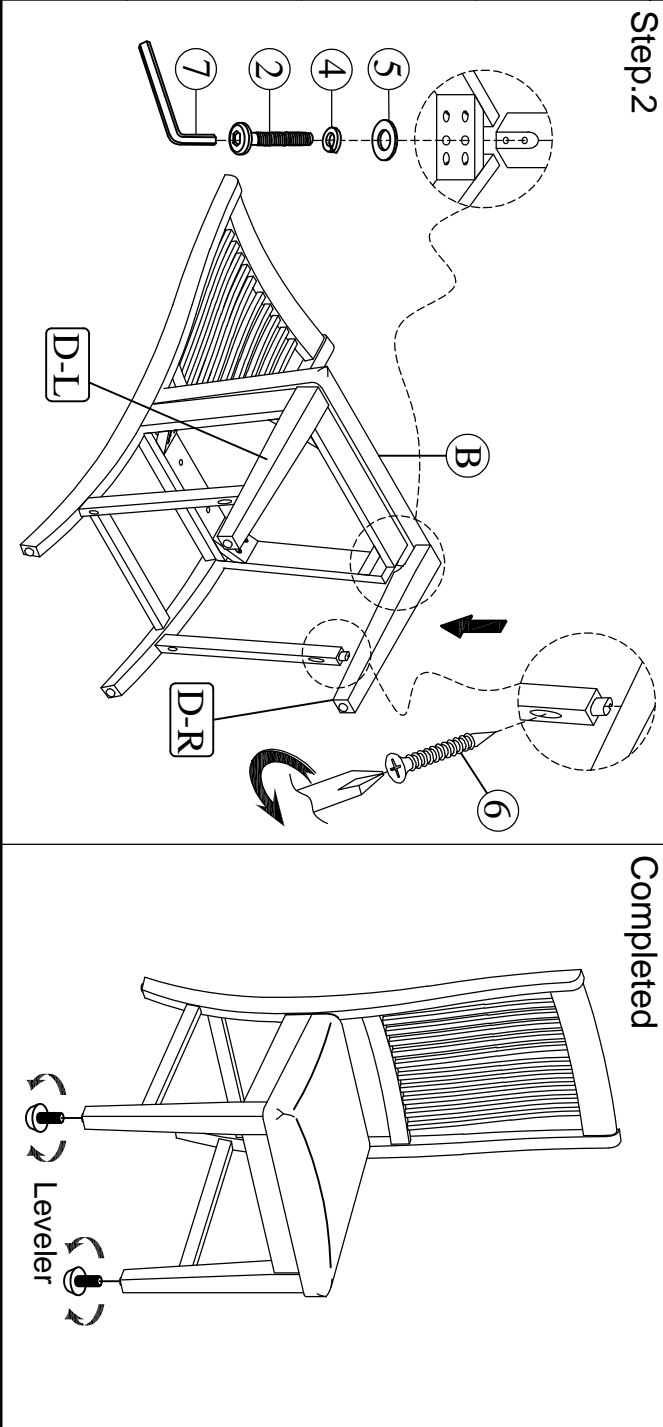
LIST OF HARDWARE

1. Short bolt 	2. Medium bolt 
1/4" x 40mm (2pcs)	1/4" x 60mm (4pcs)
3. Long bolt 	4. Spring Washer 
1/4" x 75mm (4pcs)	1/4" (10pcs)
5. Flat Washer 	6. Screws 
1/4" (10pcs)	#4 x 38mm (4pcs)
7. Allen key 	
	1pc

Step.1



Step.2



Completed

