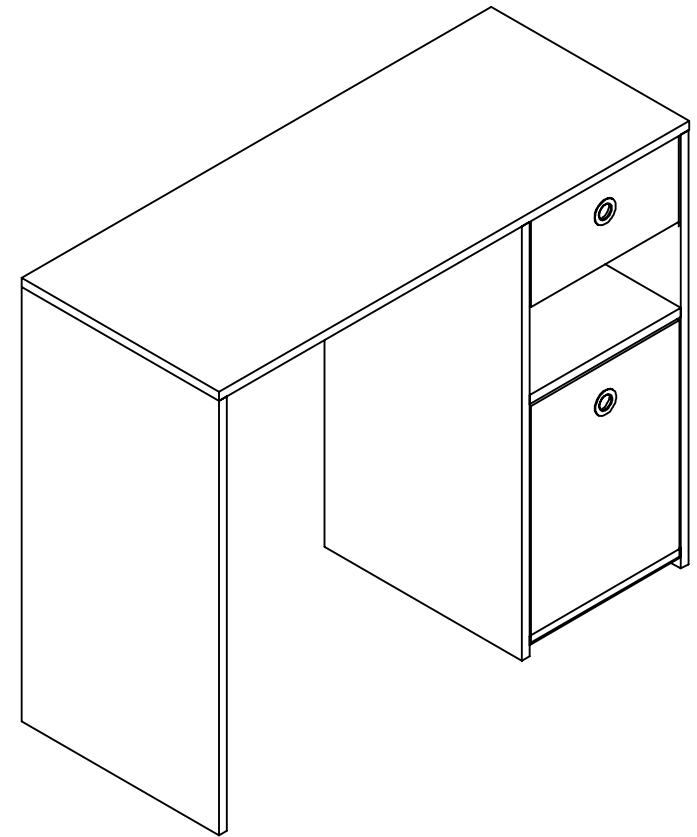


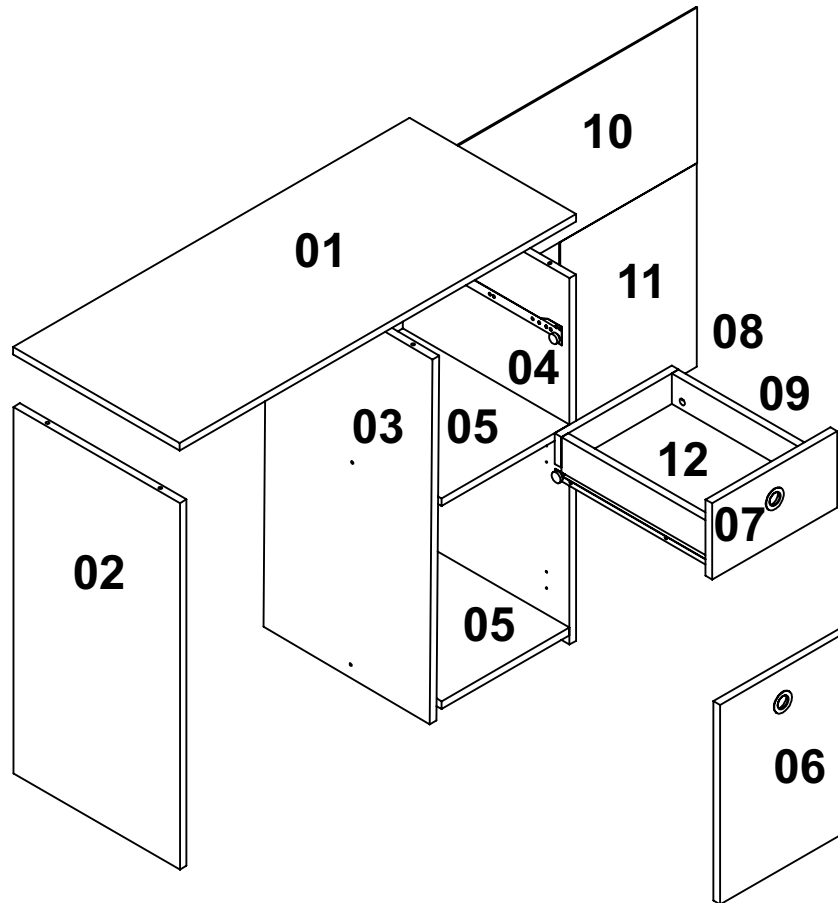


Installation & Assembly



We're thrilled to have you as a customer and to be part of your home.
Your trust means the world to us, and we hope you'll think of us for future home furnishing needs.
Your feedback is incredibly valuable as we continue to design products that bring your dreams to life.

ASSEMBLY INSTRUCTIONS






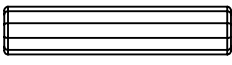


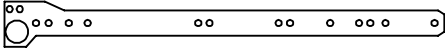
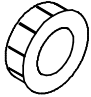

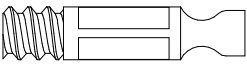




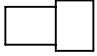
COD	DESCRIPTION	DIMENSIONS	QTY
01	TOP	35 3/8"x 14 7/8"x 5/8"	01
02	LEFT SIDE	28 3/8"x 14 7/8"x 5/8"	01
03	CENTRAL SIDE	28 3/8"x 14 7/8"x 5/8"	01
04	RIGHT SIDE	28 3/8"x 14 7/8"x 5/8"	01
05	SHELF	14 7/8"x 11 3/8"x 5/8"	02
06	DOOR	14 7/8"x 11 1/4"x 5/8"	01
07	FRONT OF THE DRAWER	11 1/4"x 5 1/2"x 5/8"	01
08	BACK OF THE DRAWER	10 1/2"x 2 3/8"x 5/8"	01
09	SIDE OF THE DRAWER	13 1/4"x 3 3/8"x 5/8"	02
10	BACK	35"x 12"x 1/8"	01
11	BACK	15 3/4"x 12 1/4"x 1/8"	01
12	BOTTOM OF THE DRAWER	13 7/8"x 9 3/4"x 1/8"	01

IMPORTANT: PLEASE READ THE INSTRUCTIONS CAREFULLY BEFORE ASSEMBLY.

NECESSARY TOOLS:



A		FOOT	06
B		SCREW Ø3,5X14 CC	18
C		SCREW Ø3,5X40 CC	04
D		STICKER 12MM	04
E		NAIL 10X10	38
F		WOOD DOWEL Ø6X30	18

G		SLIDE 350 MM	01
H		PULL	02
I		GLUE	01
J		SCREW MINIFIX	04
K		MINIFIX DRUM	04
L		SCREW Ø6x10 CC	04
M		CORNER 18X18	03
N		HINGE Ø26x12	02
O		SHELF SUPPORT	01

RECOMMENDATIONS:

- 01 – Carefully check all parts before starting assembly.
- 02 – We strongly recommend assembling this product by following the steps provided in this Instruction Manual.
- 03 – It is the assembler's responsibility to ensure that the furniture is properly assembled according to the instructions.
- 04 – Make sure all bolts, nuts, and screws are securely fastened, but be careful not to overtighten them.

CLEANING:

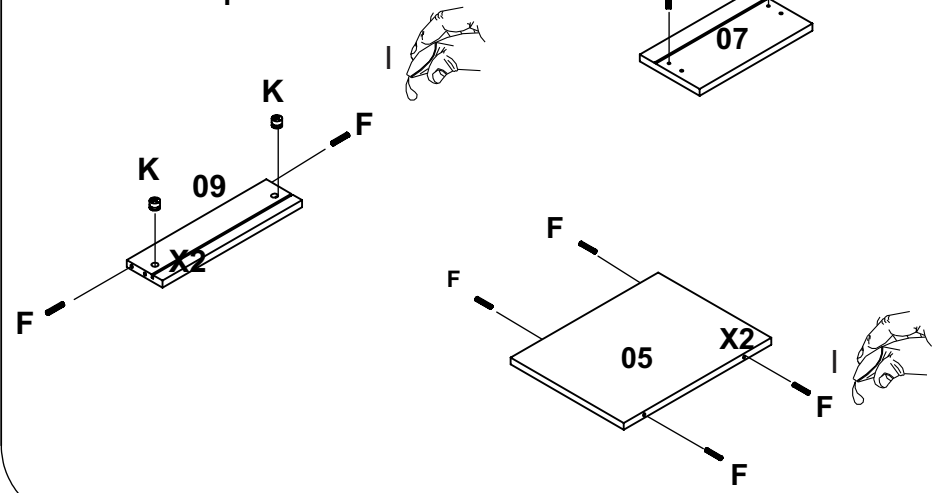
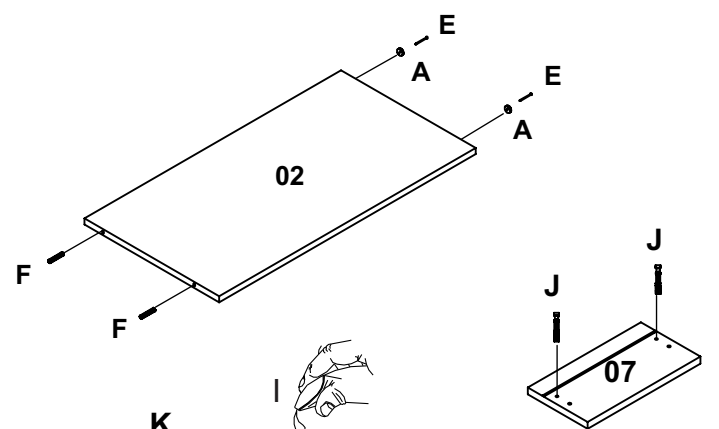
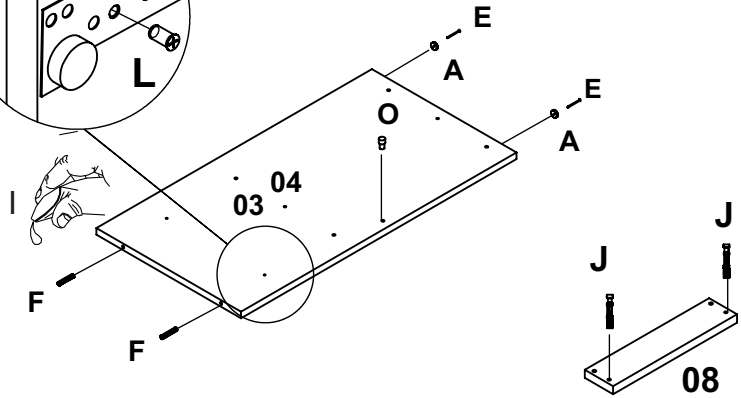
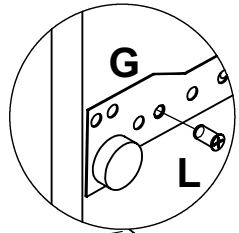
- 01 – Wipe with a cloth slightly dampened with water.
- 02 – Avoid using chemicals or abrasive cleaners.

WARNINGS:

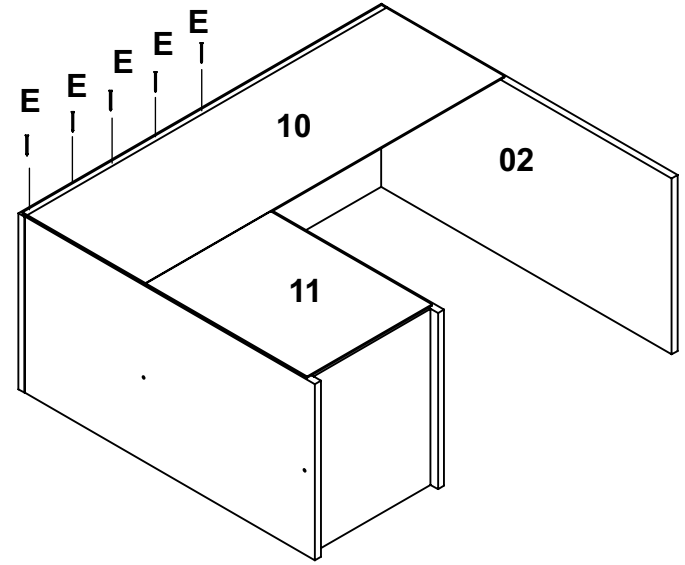
- 01 - Keep the product away from open flames and other heat sources, such as electric or gas heaters.
- 02 - Do not use the product if any parts are broken, torn, or missing. Only use manufacturer-approved replacement parts.

01

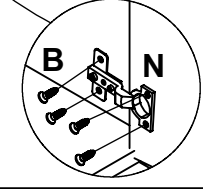
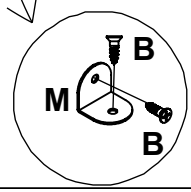
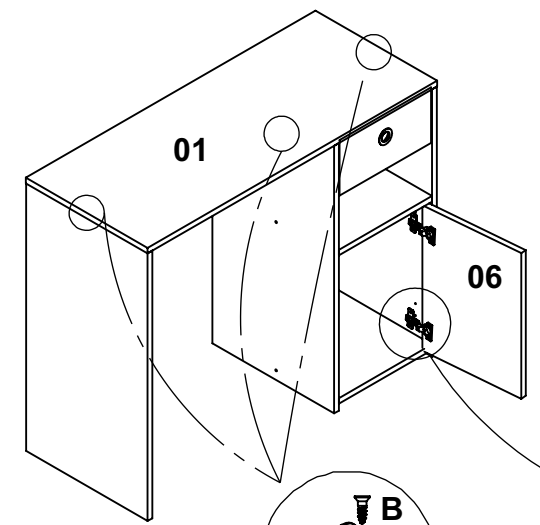
PLACE GLUE "I" ON DOWELS "F".



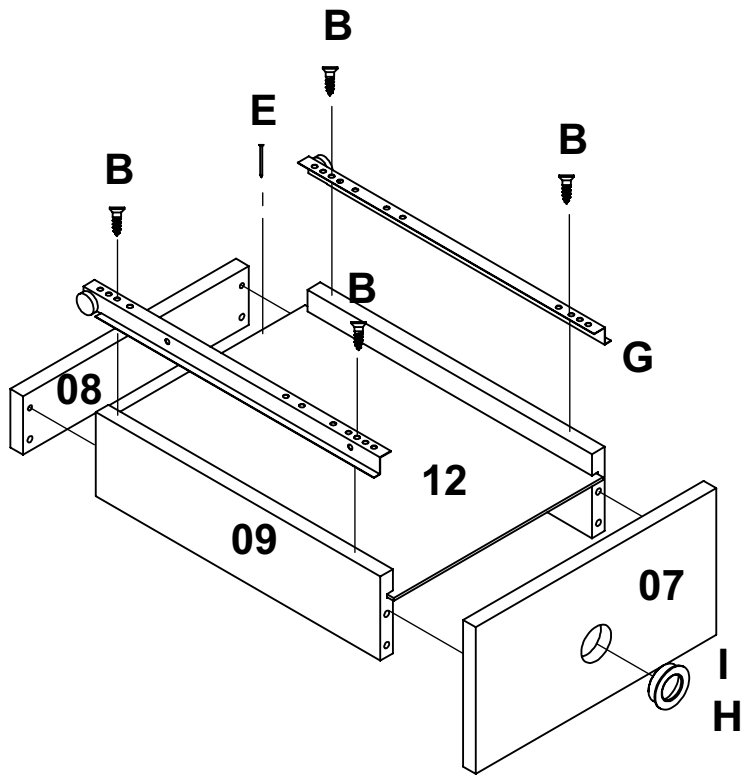
02



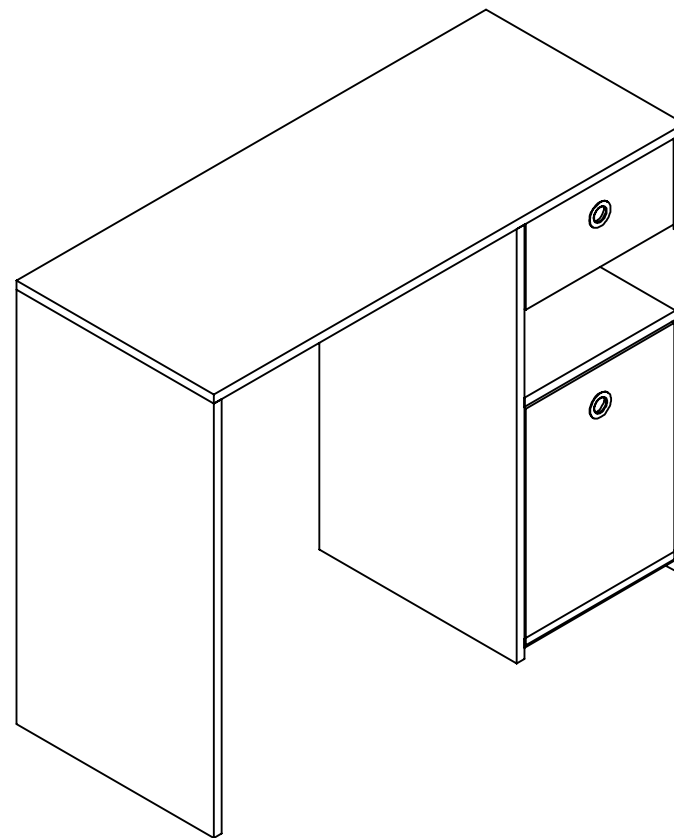
03



04



05



MAXIMUM WEIGHT CAPACITY: 77,16 lbs