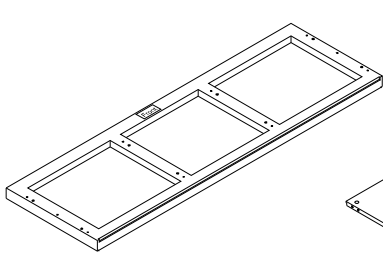
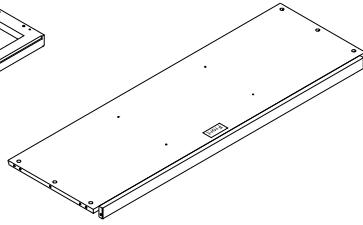


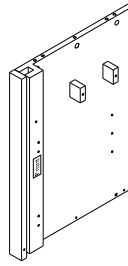
PARTS LIST



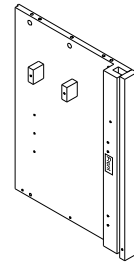
NAME: TOP PANEL
CODE: 1
QTY: 1Pc



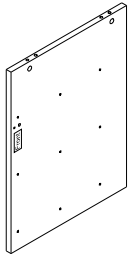
NAME: BOTTOM PANEL
CODE: 2
QTY: 1Pc



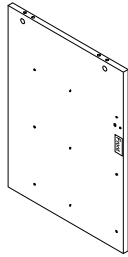
NAME: SIDE PANEL(LEFT)
CODE: 3
QTY: 1Pc



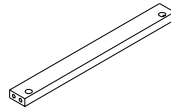
NAME: SIDE PANEL(RIGHT)
CODE: 4
QTY: 1Pc



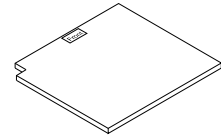
NAME: PARTITION (LEFT)
CODE: 5
QTY: 1Pc



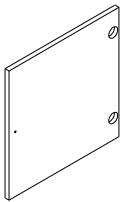
NAME: PARTITION (RIGHT)
CODE: 6
QTY: 1Pc



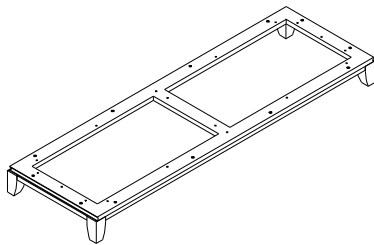
NAME: CENTER BAR
CODE: 7
QTY: 1Pc



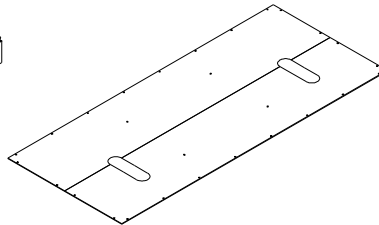
NAME: LEFT SHELF PANEL
CODE: 8
QTY: 1Pc



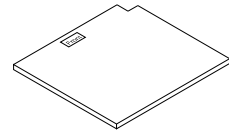
NAME: DOOR
CODE: 9
QTY: 2Pcs



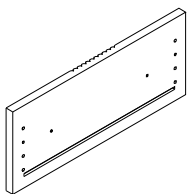
NAME: BOTTOM FRAME
CODE: 10
QTY: 1Pc



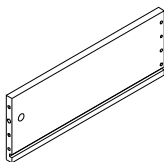
NAME: BACK PLYWOOD
CODE: 11
QTY: 1Pc



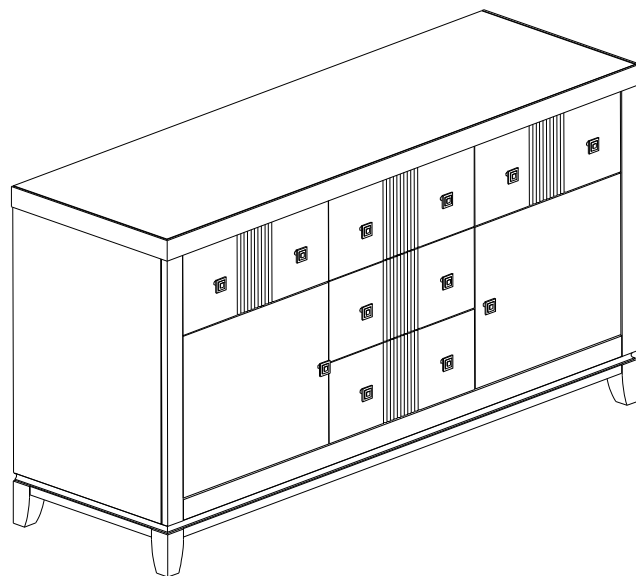
NAME: RIGHT SHELF PANEL
CODE: 12
QTY: 1Pc



NAME: DRAWER FRONT
CODE: 101
QTY: 5Pcs

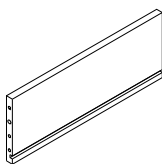


NAME: DRAWER SIDE (LEFT)
CODE: 102
QTY: 5Pcs

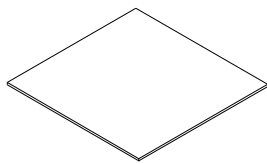


2 DOOR 5 DRAWER SERVER

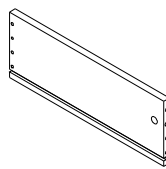
-THE UNIT SHOULD BE ASSEMBLED BY 2 OR MORE PEOPLE
-EXTRA HARDWARE INCLUDED



NAME: DRAWER BACK
CODE: 103
QTY: 5Pcs



NAME: DRAWER BASE
CODE: 104
QTY: 5Pcs



NAME: DRAWER SIDE (RIGHT)
CODE: 105
QTY: 5Pcs

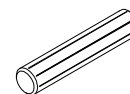
HARDWARE LIST



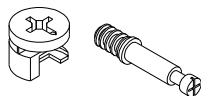
NAME: CHIPBOARD SCREW M3X16mm
CODE: A
QTY: 60Pcs



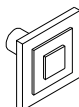
NAME: CHIPBOARD SCREW M4X38mm
CODE: B
QTY: 4Pcs



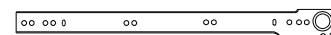
NAME: WOOD DOWEL M8X35mm
CODE: C
QTY: 18Pcs



NAME: CAM LOCK & CAM BOLT
CODE: D
QTY: 40Sets



NAME: HANDLE
CODE: E
QTY: 12Pcs



NAME: RUNNER 400mm
CODE: F
QTY: 5Sets



NAME: CAM LOCK COVER
CODE: G
QTY: 40Pcs



NAME: PANHEAD CHIPBOARD SCREW M4X16mm(BLACK)
CODE: H
QTY: 28Pcs



NAME: PANHEAD SCREW M4X25mm
CODE: I
QTY: 12Pcs



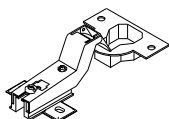
NAME: WOOD DOWEL M6X30mm
CODE: J
QTY: 60Pcs



NAME: CHIPBOARD SCREW M4X32mm
CODE: K
QTY: 18Pcs



NAME: SHELVING SUPPORT
CODE: L
QTY: 8Pcs



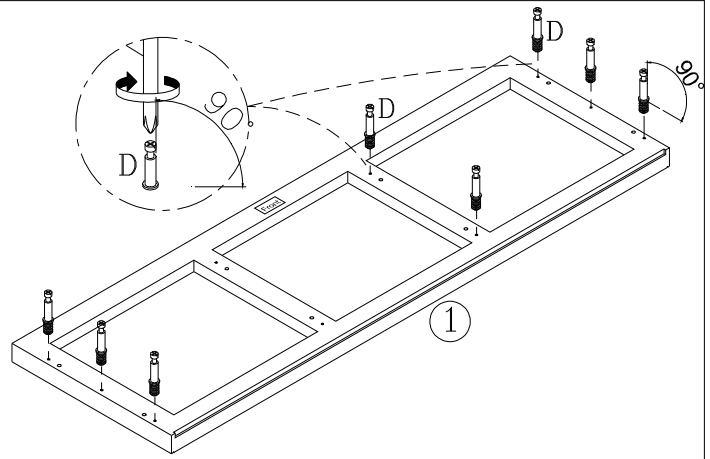
NAME: HINGES H-2
CODE: M
QTY: 4Pcs



NAME: CHIPBOARD SCREW M4X16mm
CODE: N
QTY: 16Pcs

STEP 1

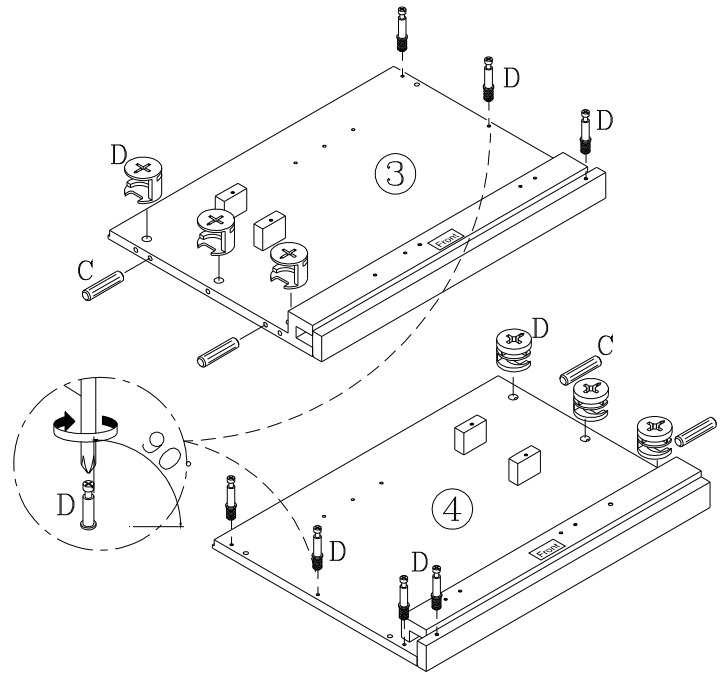
- A) Insert and secure Cam Bolt(D) to Top Panel(1)



STEP 2

- A) Insert Wood Dowel(C) to Left&Right Side Panel(3&4)
- B) Attach Cam Lock(D) to Left&Right Side Panel(3&4)
- C) Insert and secure Cam Bolt(D) to Left&Right Side Panel(3&4)

NOTE : Make sure arrows on each Lock points towards nearest edge with holes



STEP 3

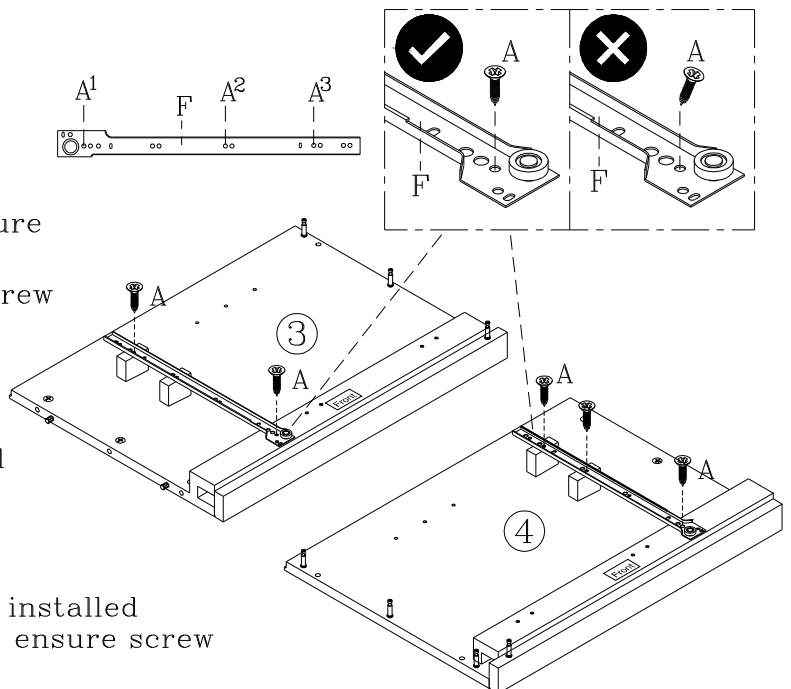
- A) Attach Runner(F) to both side of Left&Right Side Panel(3&4)
- B) Using Chipboard Screw(A) to secure

NOTE : Do not over tighten the screw

NOTE : Runner roller should be toward the front of the panel

NOTE : Chipboard Screw(A) should be assembled from the front of the runner. Start from A¹, A² then A³

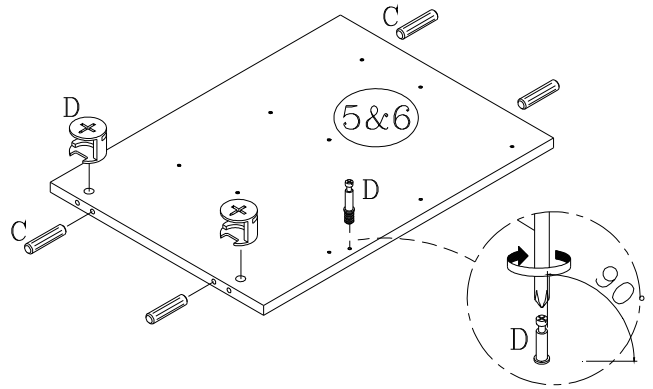
NOTE : Make sure the screws are installed vertically without slant to ensure screw sits properly in the hole



STEP 4

- A) Insert Wood Dowel(C) to Left&Right Partition Panel(5&6)
- B) Attach Cam Lock(D) to Left&Right Partition Panel(5&6)
- C) Insert & secure Cam Bolt(D) to Left&Right Partition Panel(5&6)

NOTE : Make sure arrows on each Lock points towards nearest edge with holes



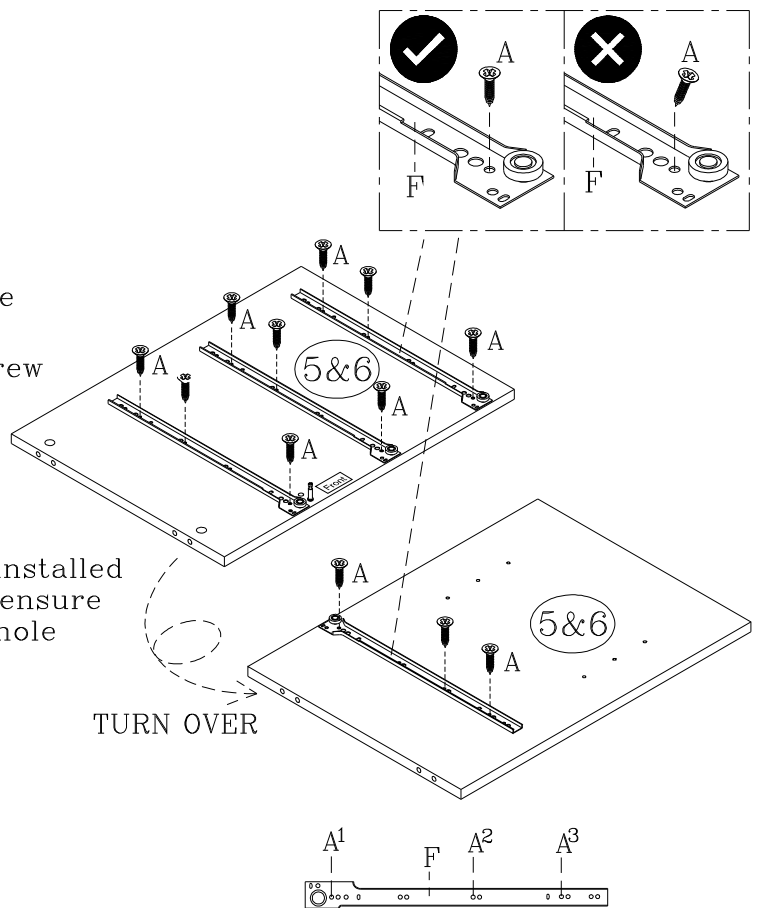
STEP 5

- A) Attach Runner(F) to both side of Left&Right Partition Panel(5&6)
- B) Using Chipboard Screw(A) to secure

NOTE : Do not over tighten the screw

NOTE : Chipboard Screw(A) should be assembled from the front of the runner. Start from A¹, A² then A³

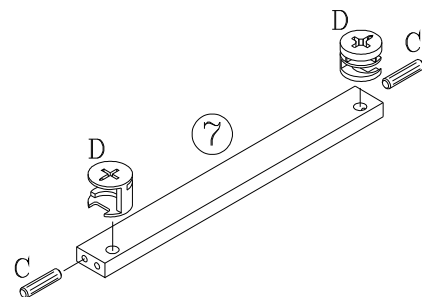
NOTE : Make sure the screws are installed vertically without slant to ensure screw sits properly in the hole



STEP 6

- A) Insert Wood Dowel(C) to Center Bar(7)
- B) Attach Cam Lock(D) to Center Bar(7)

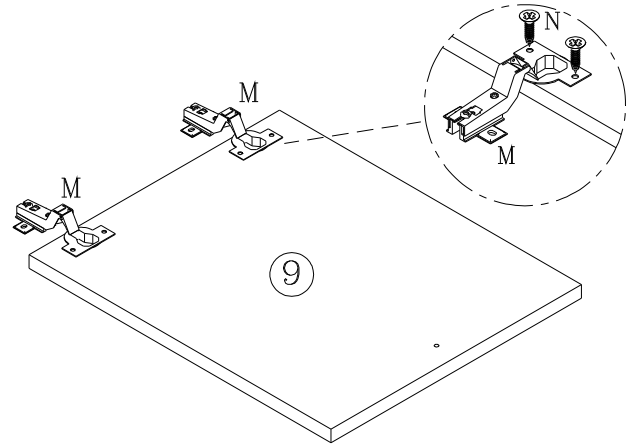
NOTE : Make sure arrows on each Lock points towards nearest edge with holes



STEP 7

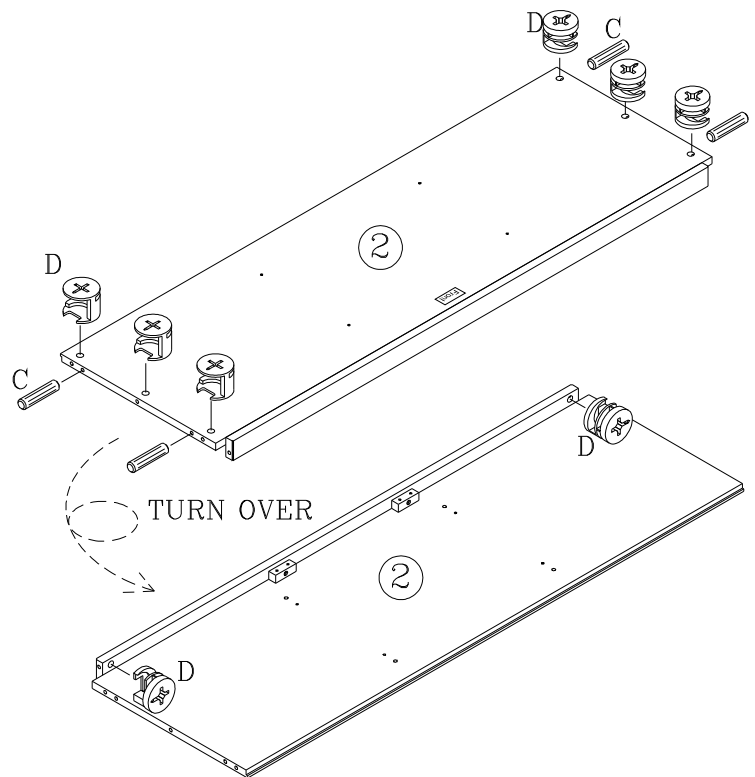
- A) Attach Hinges(M) to Door(9) using Chipboard Screw(N) to secure

NOTE : Do not over tighten the screw

STEP 8

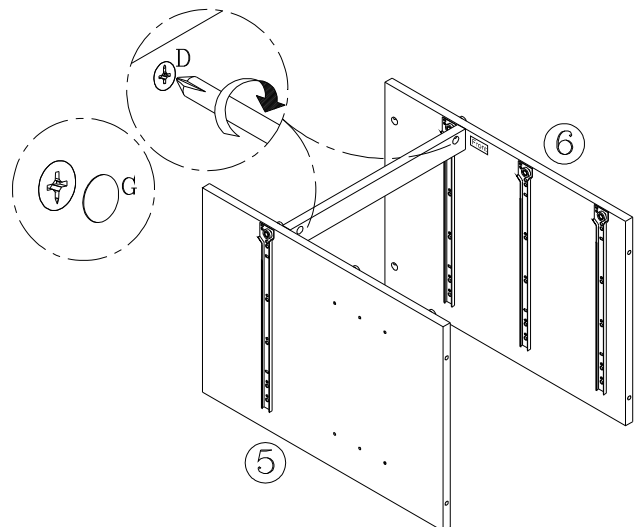
- A) Insert Wood Dowel(C) to Bottom Panel(2)
 B) Attach Cam Lock(D) to Bottom Panel(2)

NOTE : Make sure arrows on each Lock points towards nearest edge with holes

STEP 9

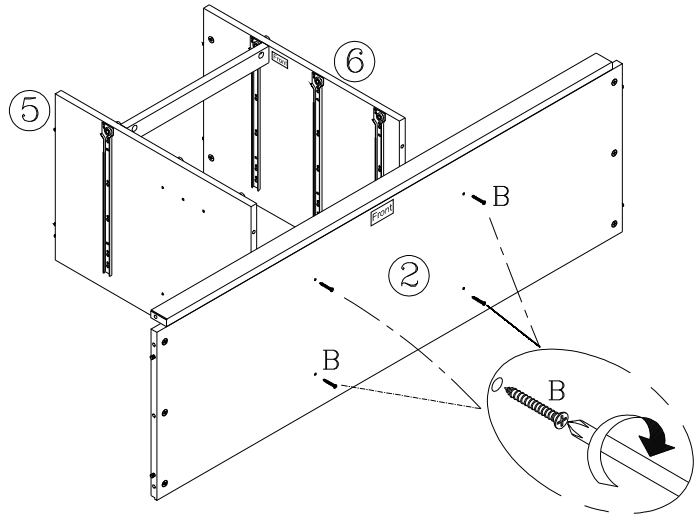
- A) Attach Left&Right Partition Panel(5&6) to Center Bar(7) secure with Cam Lock(D)
 B) Using Cam Lock Cover(G) to cover Cam Lock(D)

NOTE : Do not over tighten the Cam Lock



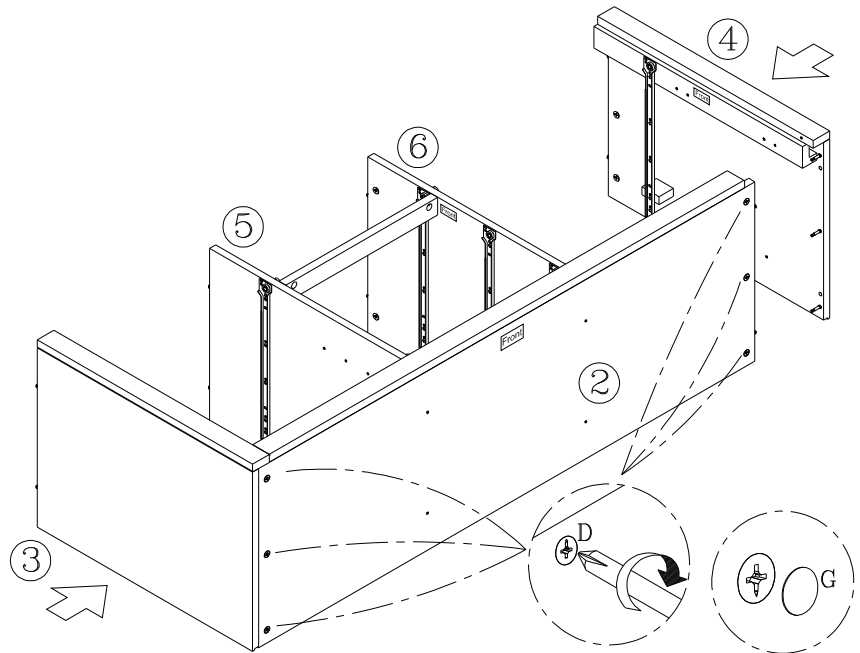
STEP 10

- A) Attach Bottom Panel(2) to assembled unit
- B) secure using Chipboard Screw(B)

STEP 11

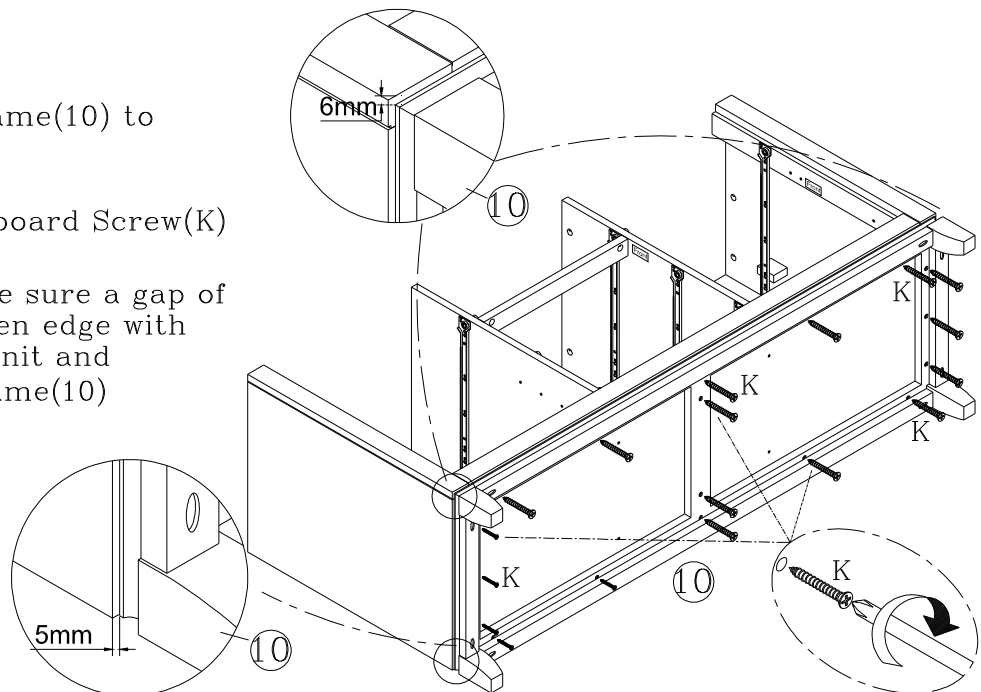
- A) Attach Side Panel(3&4) to Bottom Panel(2) & secure with Cam Lock(D)
- B) Using Cam Lock Cover(G) to cover Cam Lock(D)

NOTE : Do not over tighten the Cam Lock

STEP 12

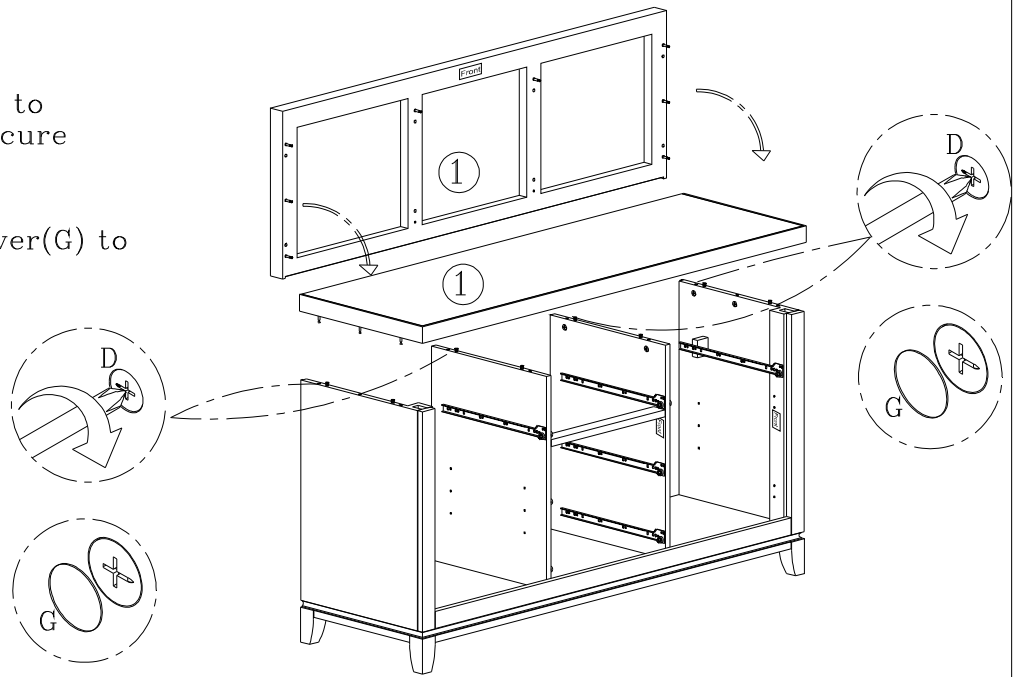
- A) Attach Bottom Frame(10) to assembled unit
- B) secure using Chipboard Screw(K)

NOTE : Please make sure a gap of 5mm between edge with assembly unit and Bottom Frame(10)

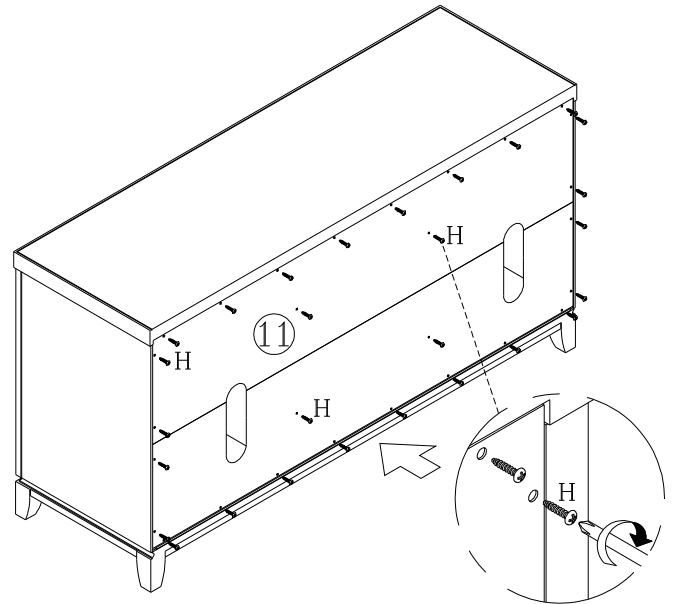


STEP 13

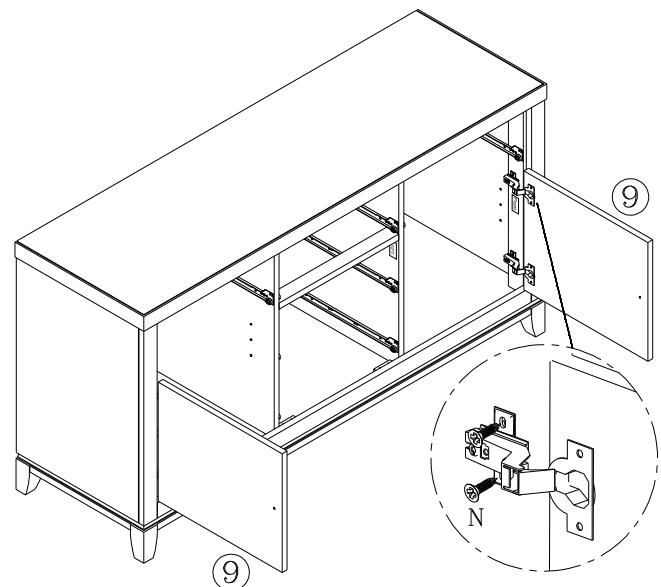
- A) Attach Top Panel(1) to assembled unit & secure with Cam Lock(D)
- B) Using Cam Lock Cover(G) to cover Cam Lock(D)

STEP 14

- A) Attach Back Plywood(11) to assembled unit using Panhead Chipboard Screw(Black)(H) to Secure

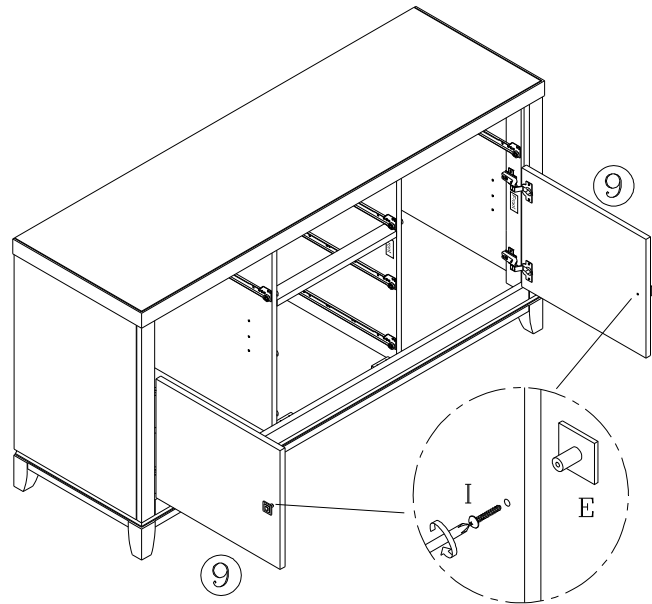
STEP 15

- A) Attach Door (9) to assembled unit secure with Chipboard Screw(N)

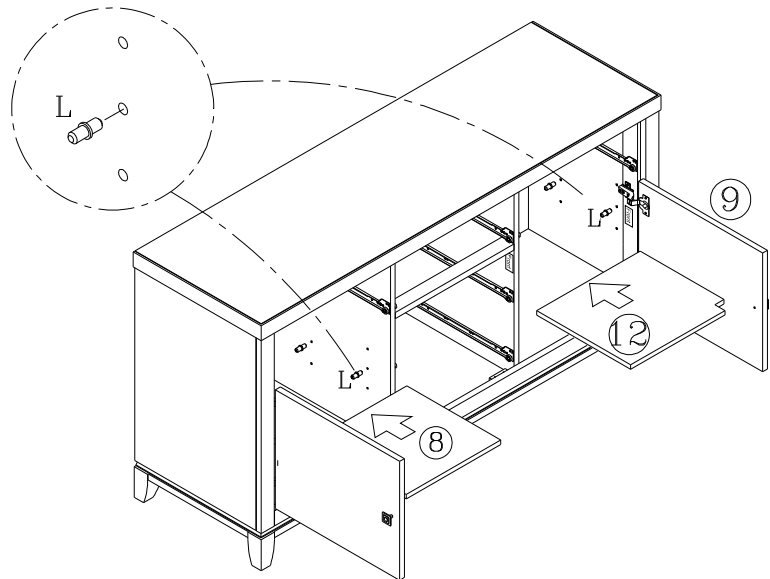


STEP 16

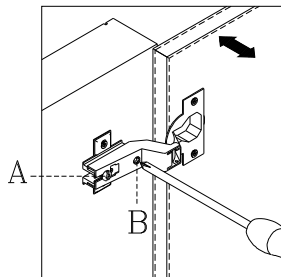
- A) Attach Handle(E) to Door (9) using Panhead Screw(I) to secure

**STEP 17**

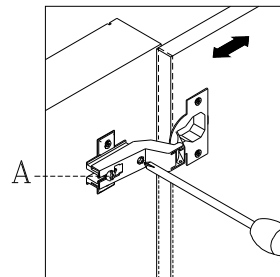
- A) Attach Selving Support(L) to Left&Right Side Panel(3&4) & Left&Right Partition(5&6)
- B) Slot in Shelf Panel(8&12) into assembled unit



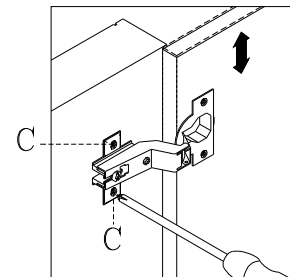
HINGE ADJUSTMENT: if the doors do not appear square or aligned loosen or tighten the appropriate screws on each case hinge as illustrated.



- 1) Side to side adjustment :
Loosen screw A, adjust gap with screw B and re-tighten Screw A

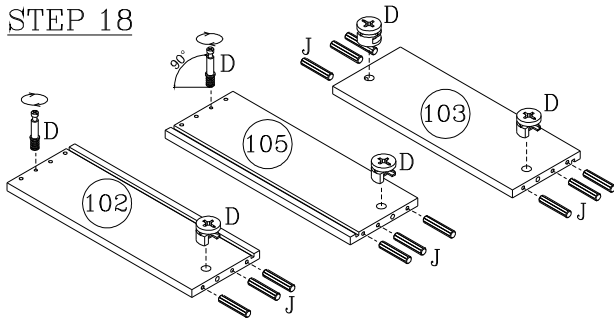


- 2) Deep adjustment:
Loosen screw A, push hinge arm forwards or backwards, re-tighten screw A.



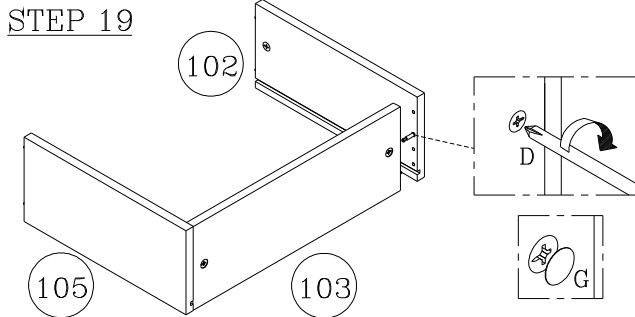
- 3) Height adjustment:
Loosen screw C, adjust door height and re-tighten screw C.

STEP 18



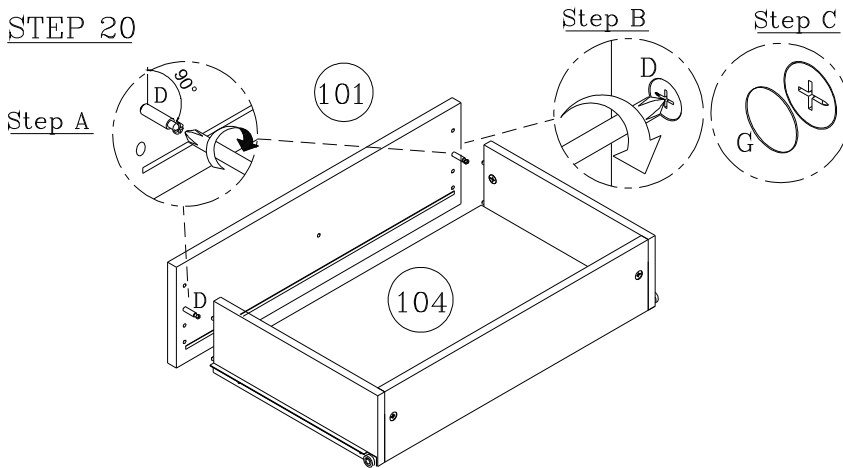
- A) Insert Wood Dowel(J) to Left&Right Drawer Side(102&105) & Drawer Back(103)
- B) Attach Cam Lock(D) to Left&Right Drawer Side(102&105) & Drawer Back(103)
- C) Insert & secure Cam Bolt(D) to Left&Right Drawer Side(102&105)

STEP 19



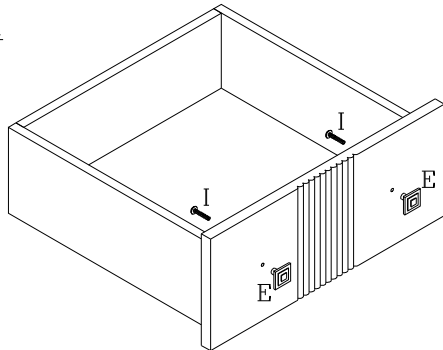
- A) Attach Drawer Side Left&Right(102&105) to Drawer Back(103) secure with Cam Lock(D)
- B) Using Cam Lock Cover(G) to cover Cam Lock(D)

STEP 20



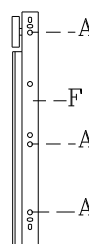
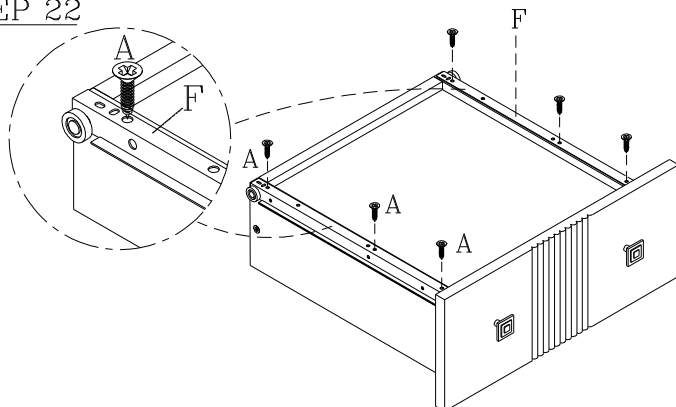
- A) Slot in Drawer Base(104) in corresponding grooves
- B) Insert and secure Cam Bolt(D) to Drawer Front(101)
- C) Attach Drawer Front(101) to unit & secure with Cam Lock(D)
- D) Using Cam Lock Cover(G) to cover Cam Lock(D)

STEP 21



- A) Attach Handle(E) to Drawer Front(101) secure with Panhead Screw(I)

STEP 22



- A) Turn over the Drawer box, Attach Runner(F) to Drawer Side(102&105) using Chipboard Screw(A) to secure

NOTE: Runner roller should be flush and toward the back of the Drawer Box