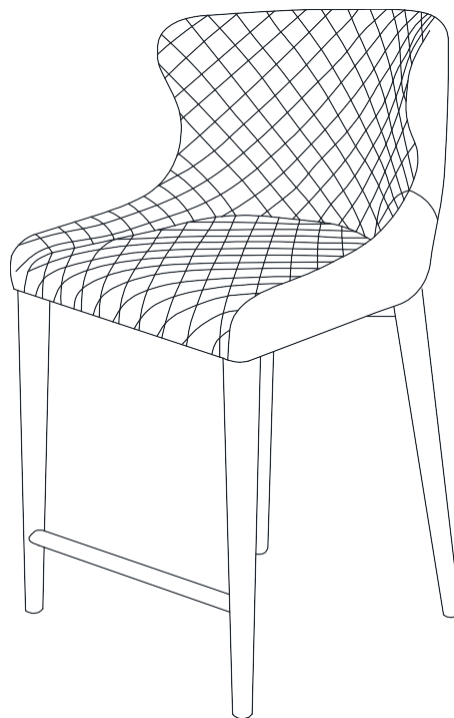








ASSEMBLY INSTRUCTIONS.

COUNTER STOOL DARK BLUE



THANK YOU FOR YOUR PURCHASE!

PARTS AND HARDWARE.

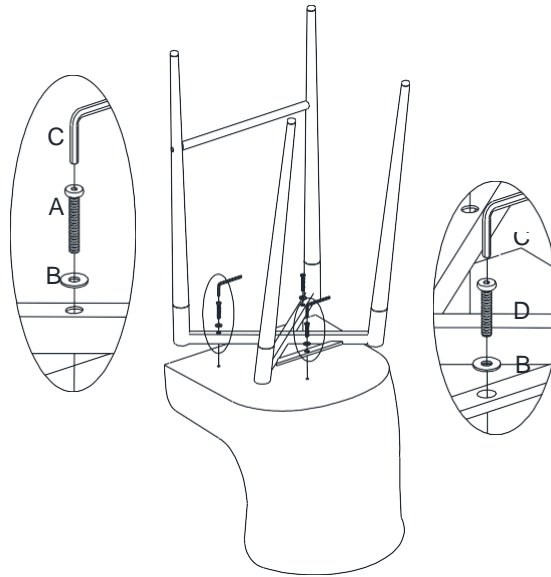
1. CHAIR BACK/SEAT x 1 	
2. CHAIR LEG x 1 	
A. BOLT M6*35 x 2 	B. FLAT WASHER DIA 16MM x 3 
C. ALLEN KEY M4 x 1 	D. BOLT M6*25 x 1 

NOTES.

Thank you for purchasing this quality product! Be sure to check all packing material carefully for small part that may have come loose inside the carton during shipping.

CAUTION: The item is heavy, assembly should be performed by two people.

STEP 1.



STEP 2.

