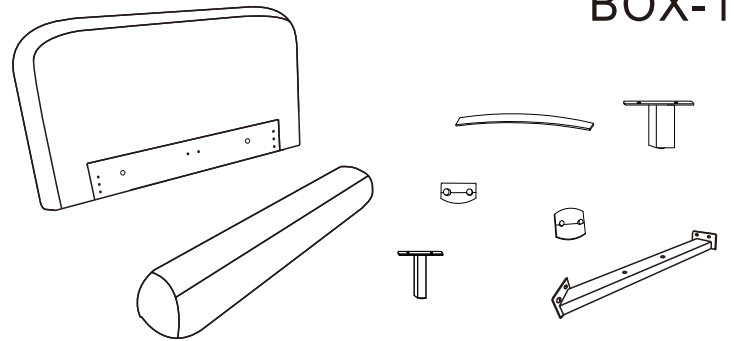
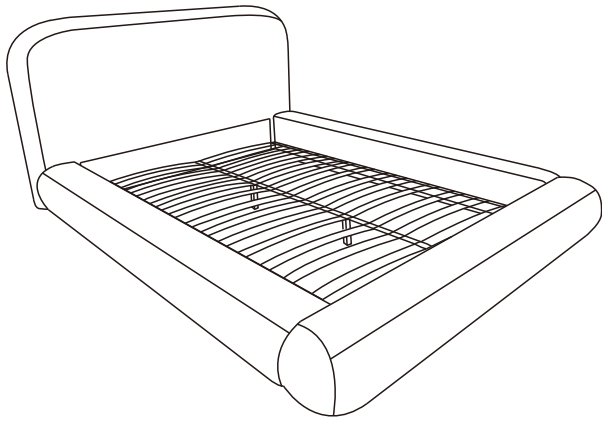
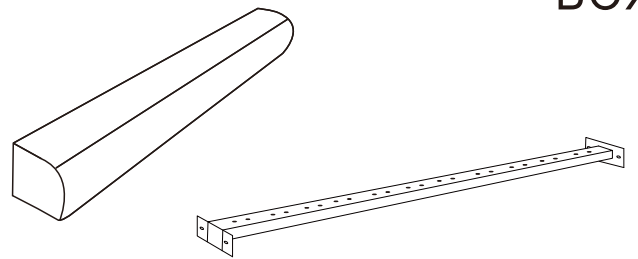


ASSEMBLY INSTRUCTIONS

NO.:CLOUD BED QUEEN



BOX-1

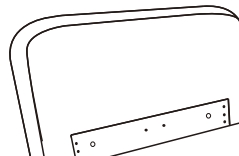
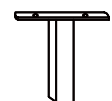
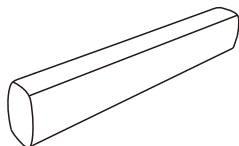

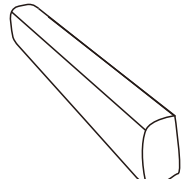
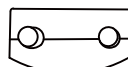
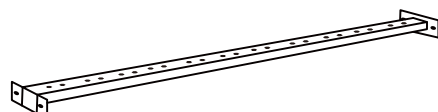
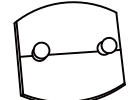
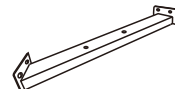
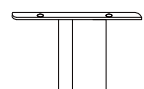


BOX-2


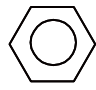





spare parts 1

These parts are located at the back of the headboard.

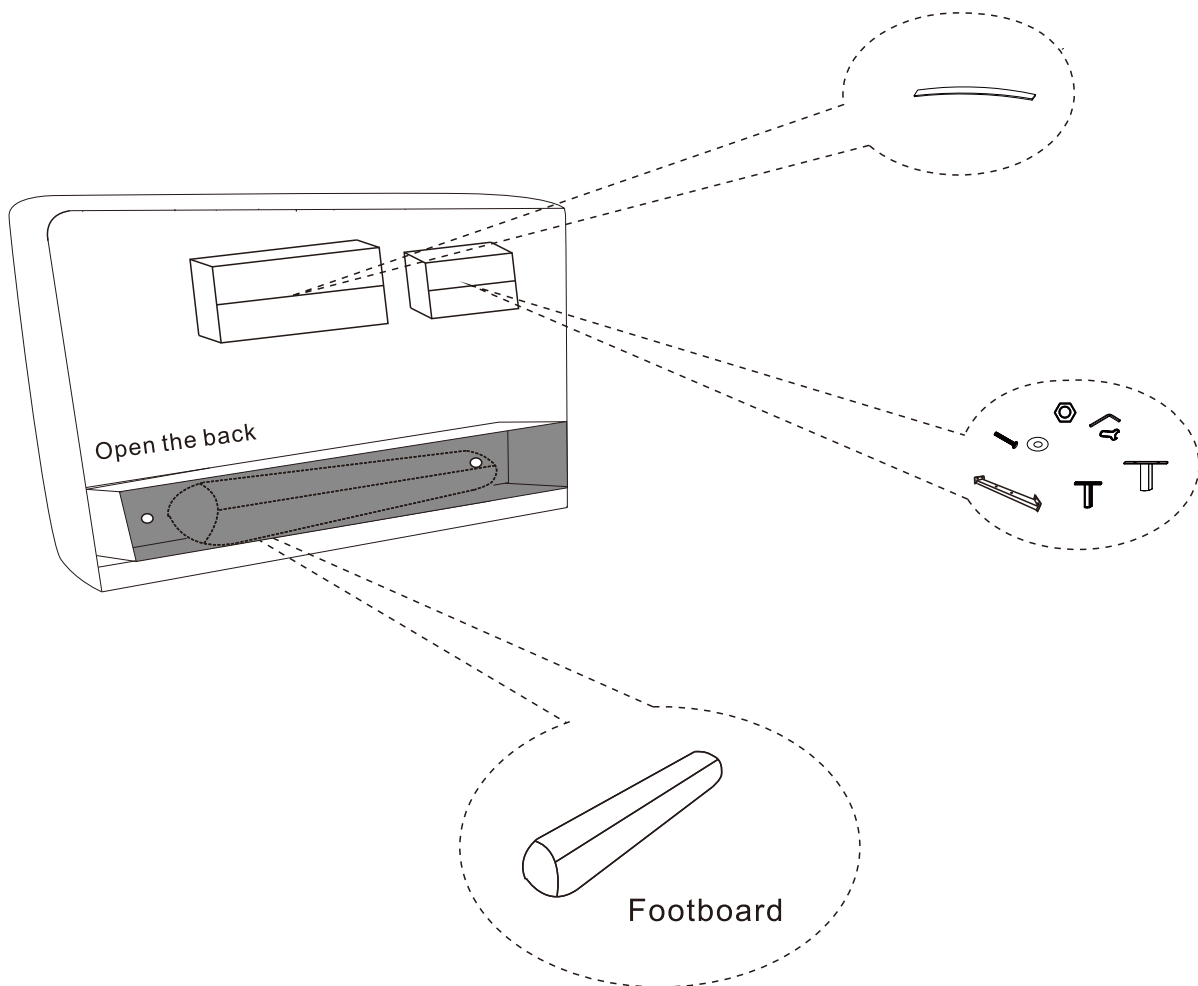


<p>A</p>	 Headboard x1	<p>E</p>	 Metal Leg Support x2
<p>B</p>	 Footboard (is located at the back of the headboard) x1	<p>F</p>	 Slat x26
<p>C</p>	 Side x2	<p>G</p>	 Rails plastic slat x26
<p>D</p>	 Center Support bar x1	<p>H</p>	 Center plastic slat x13
		<p>I</p>	 supporting foot x4
		<p>J</p>	 Metal Leg Support x4

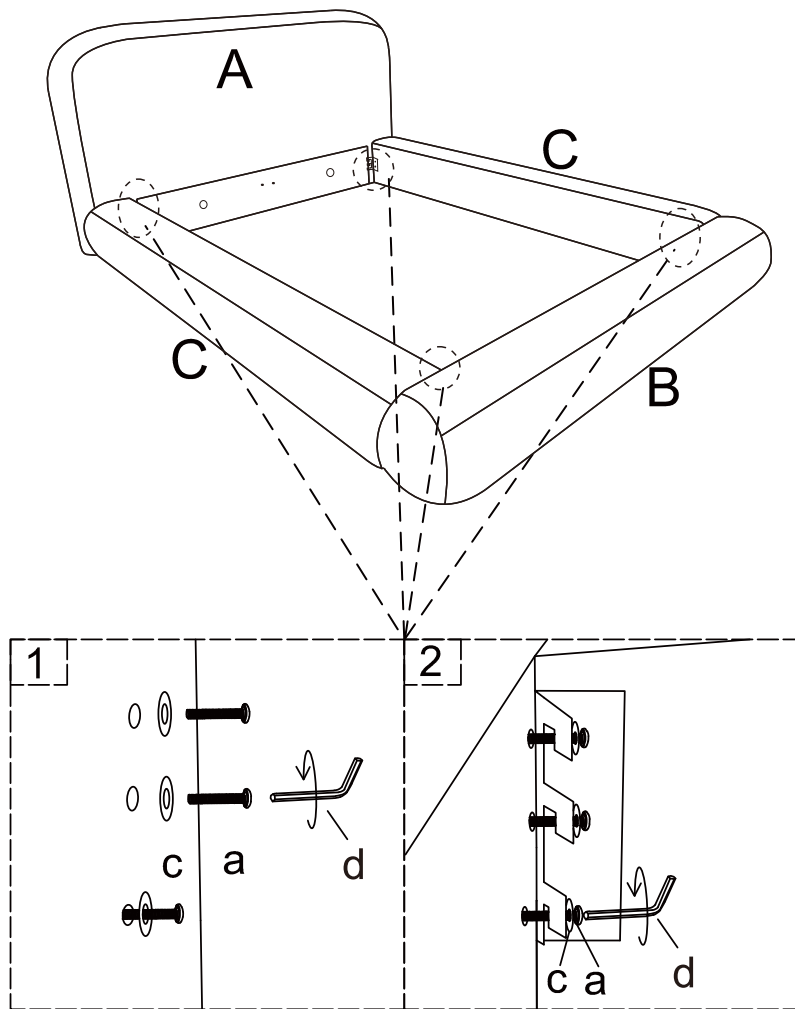
spare parts 2

a	 5/16*30mm x 32	e	 ø5/16" x12
b	 5/16*50mm x12	f	 NUT x1
c	 5/16 x44	g	 power supply x1
d	 5/16 x1		

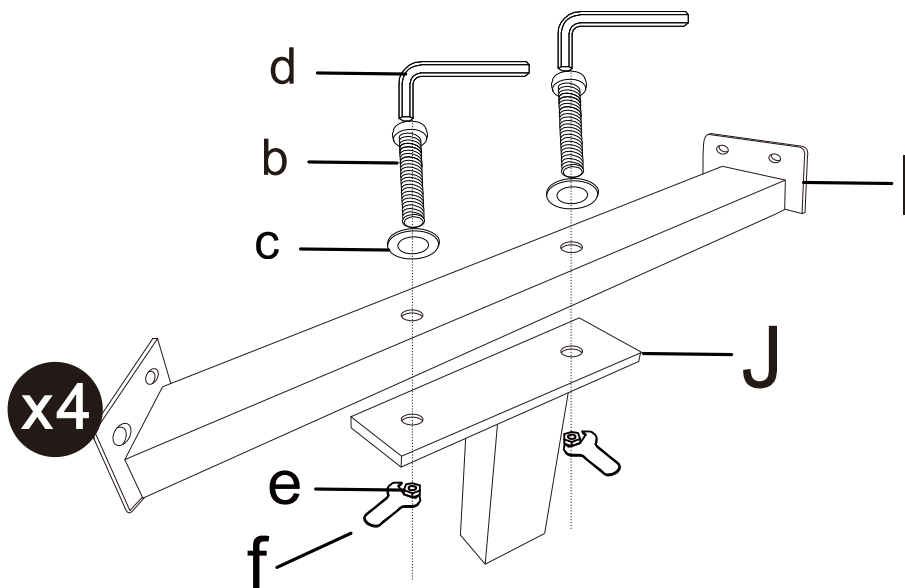
setp:1



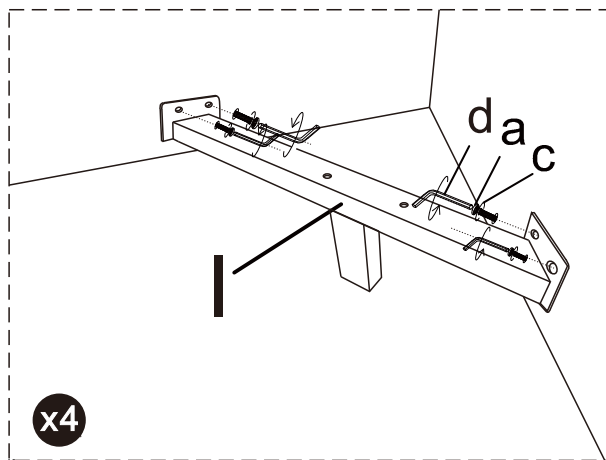
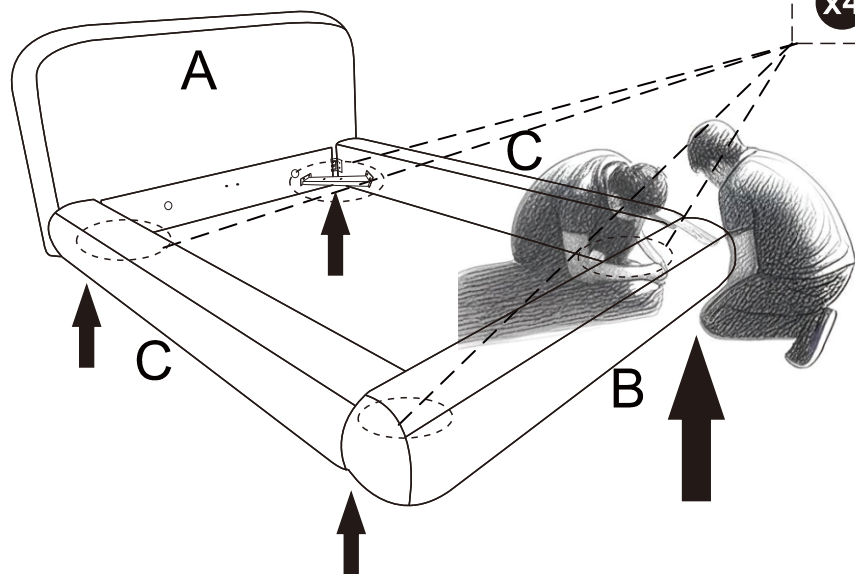
setp:2



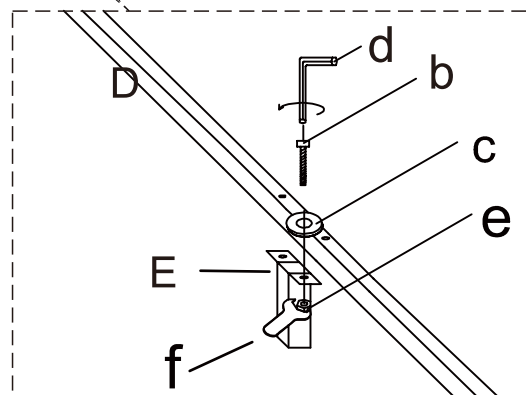
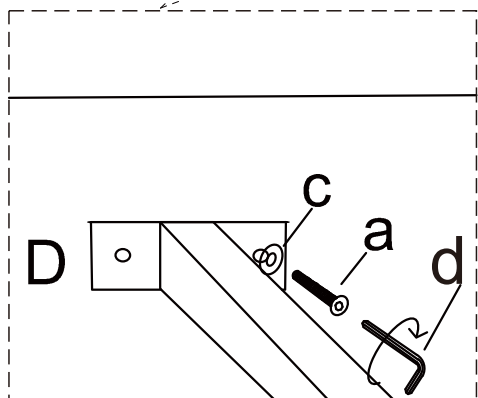
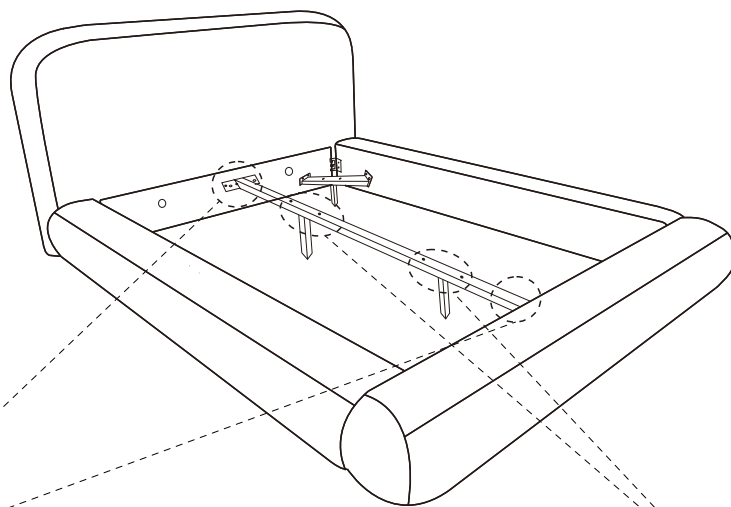
setp:3



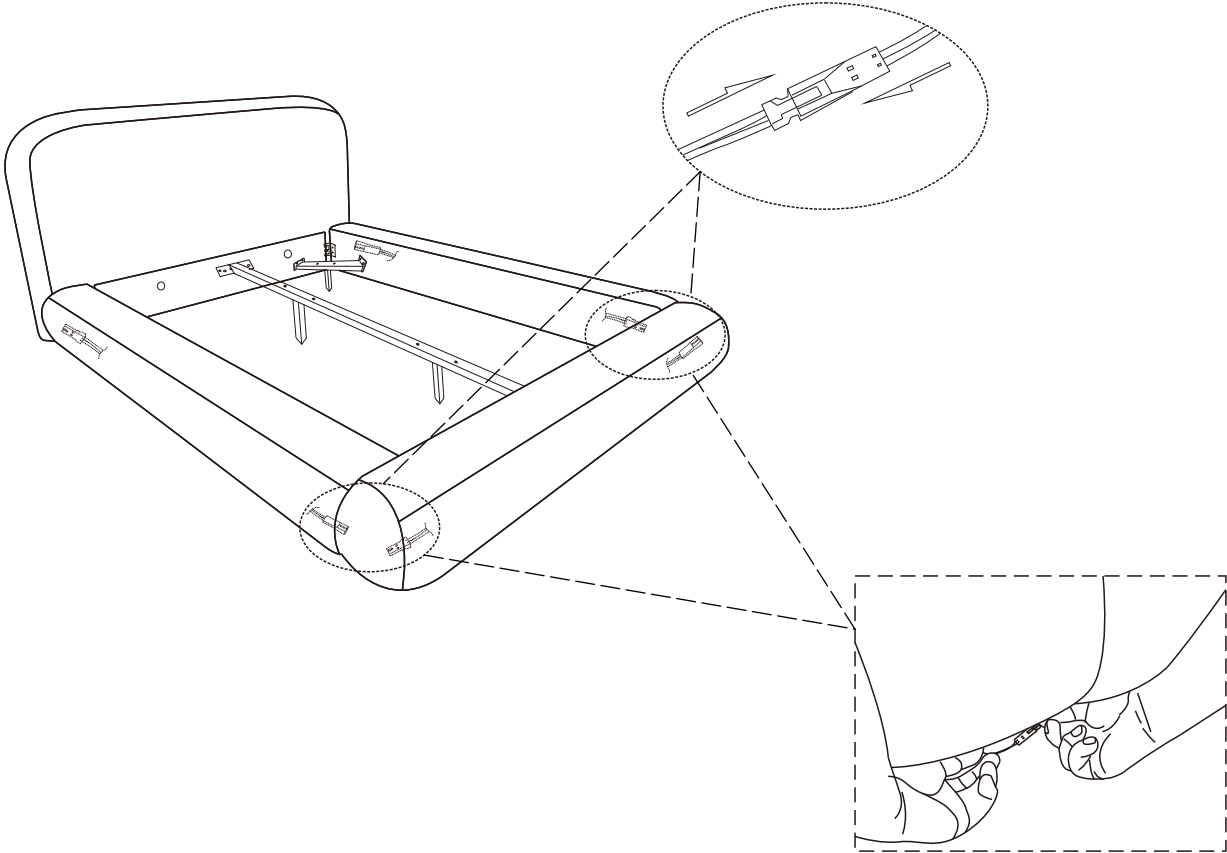
setp:4



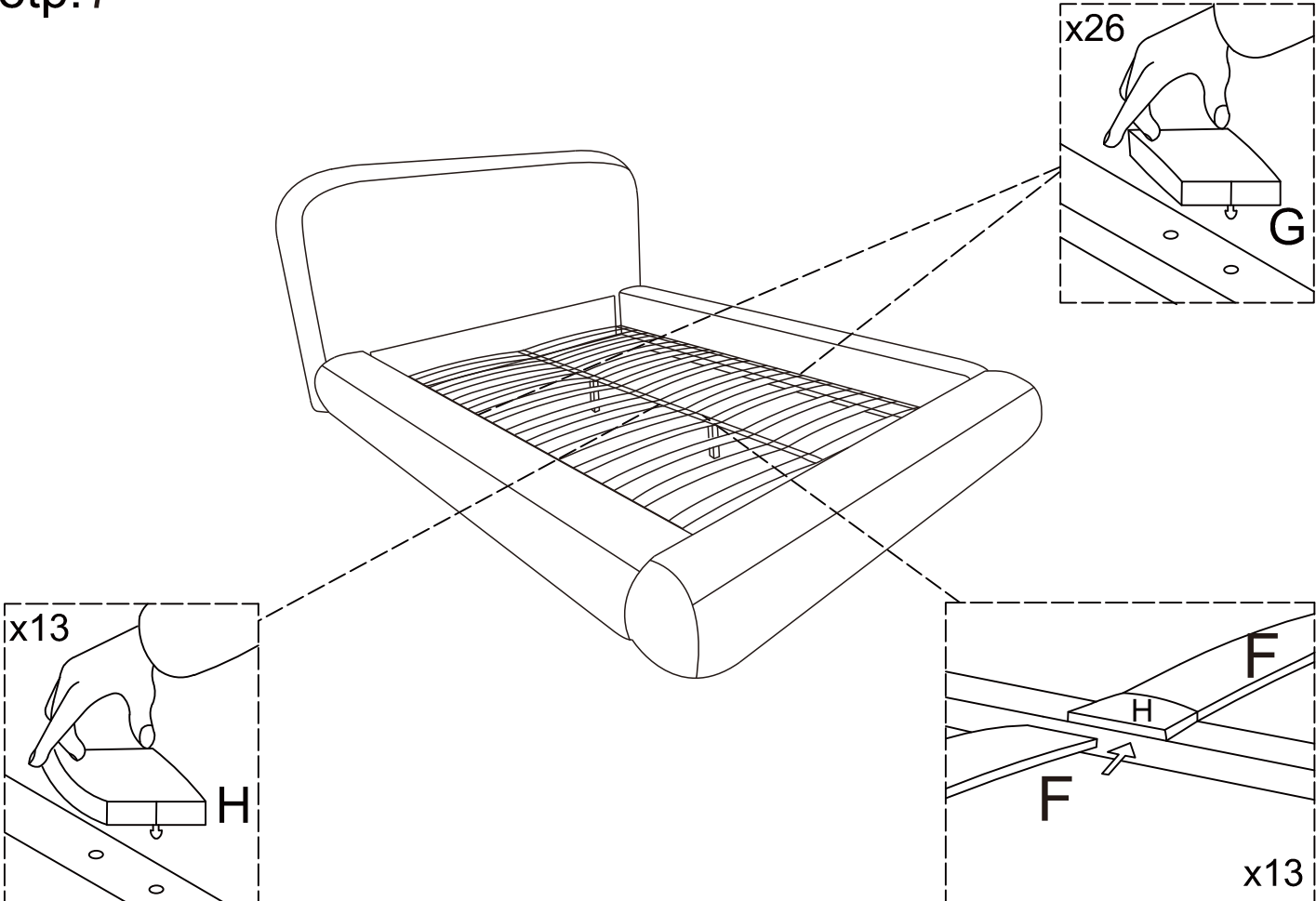
setp:5



setp:6



setp:7



step:8

