

# Owner Manual



## NOTE:

This brochure contains IMPORTANT safety info. Please read and keep for future reference.

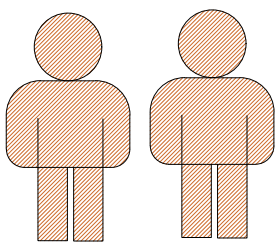
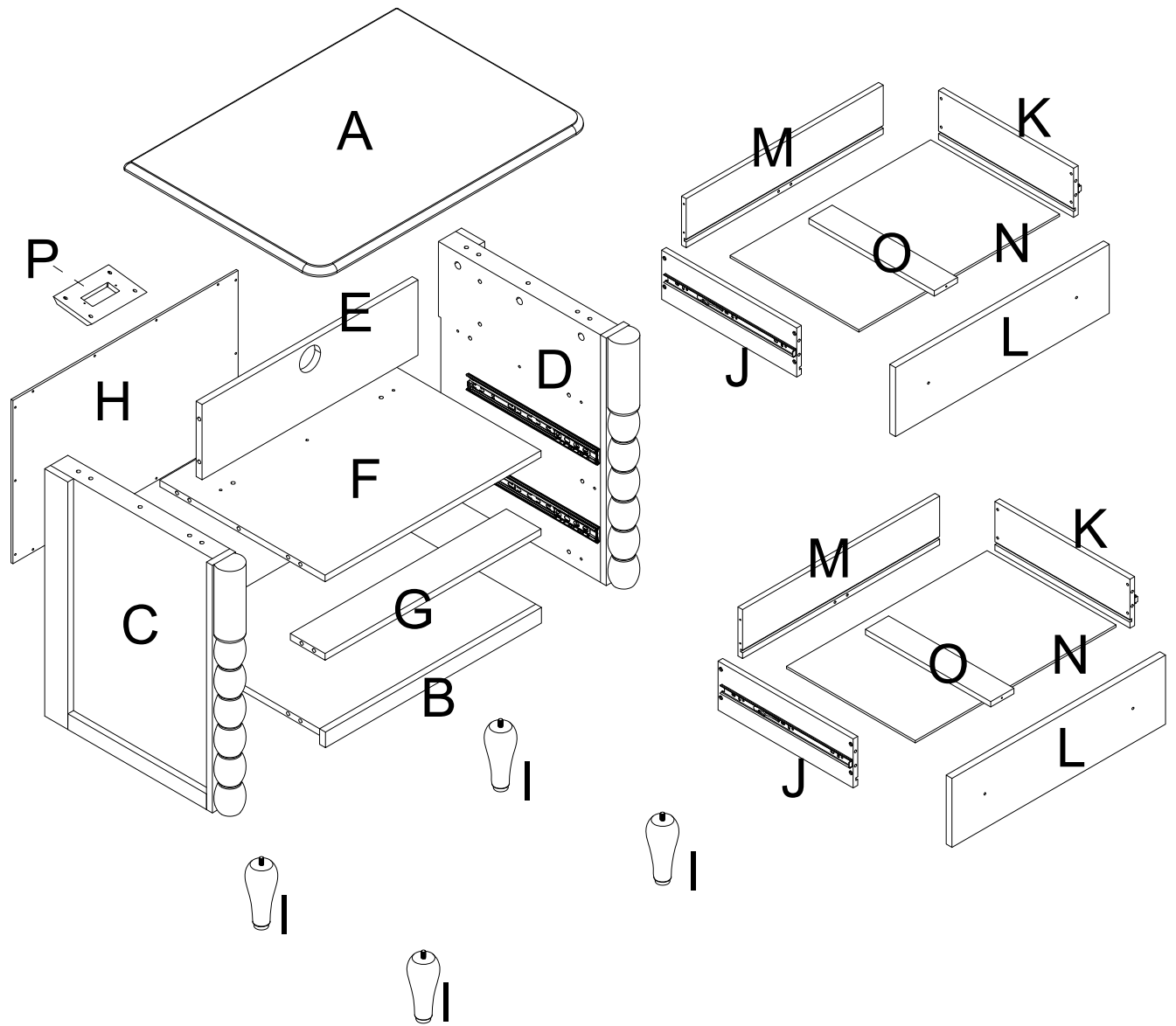
# MAINTAINANCE AND WARNING

1. We suggest you spend a short time reading through this leaflet and then follow the simple step-by-step instructions.
2. Carefully check that you have all the parts before beginning assembly.
3. Keep fittings out of children's reach and keep children well away from construction area
4. We suggest you retain these instructions for future reference.
5. Keep furniture away from heat sources.
6. Do not clean furniture with harsh cleaner or polishes.
7. Do not use detergents, solvents, abrasives, spray packs or leather cleaner.
8. Use non-color mild soap with warm water to clean spills (Mix 1:10 soap to water).
9. Do not place furniture under direct sunlight, material will possibly fade over time.
10. Do not use on site dry cleaning machine.  
Children should not climb or jump on the furniture.
11. Do not write on furniture that is not protected by a padded barrier.
12. Not for commercial use, only for residential use.

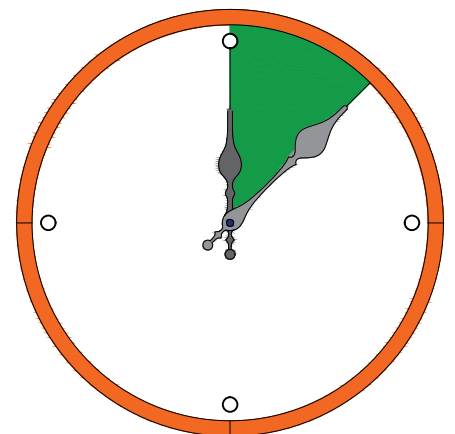


Weight Limitation  
**100 LBS**

# EXPLOSIVE VIEW

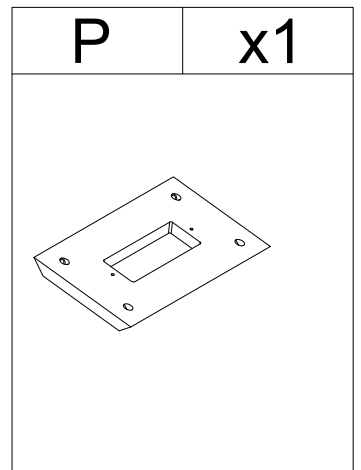
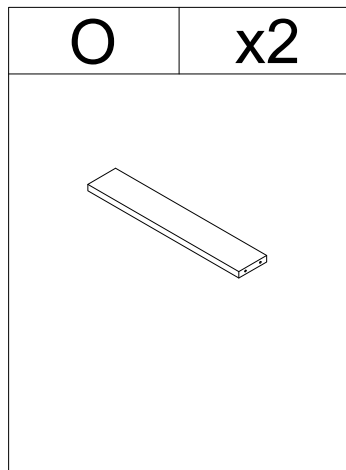
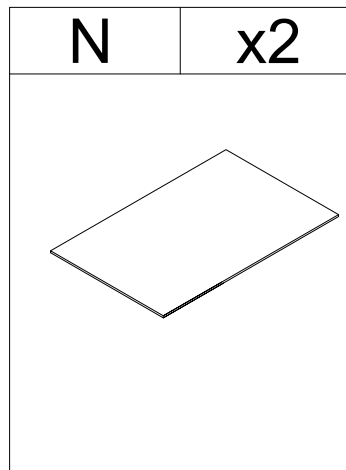
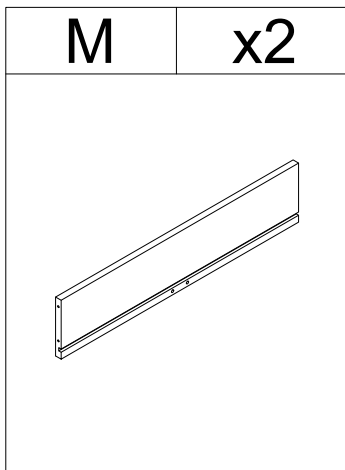
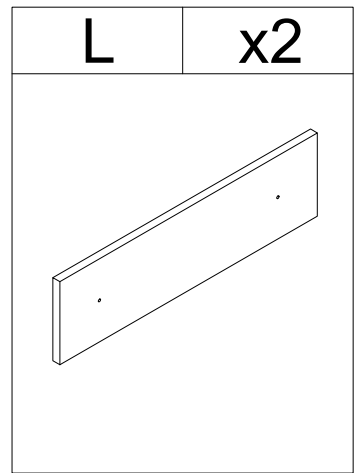
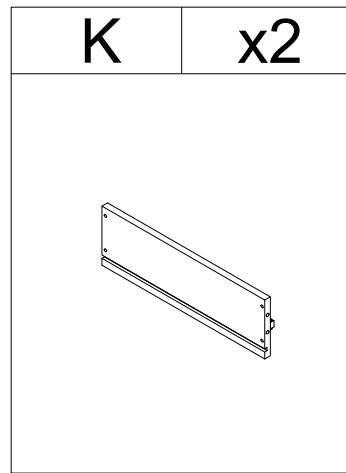
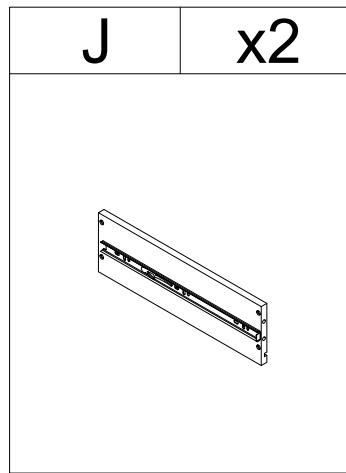
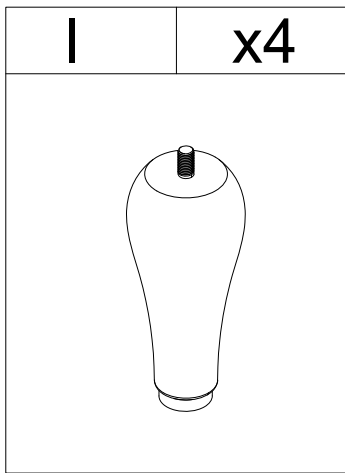
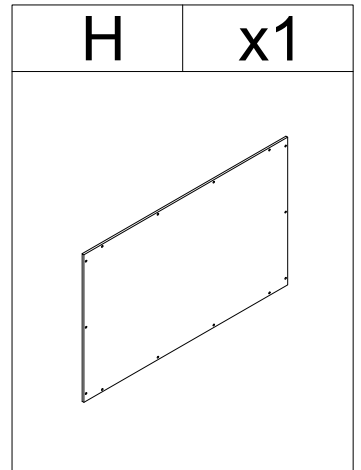
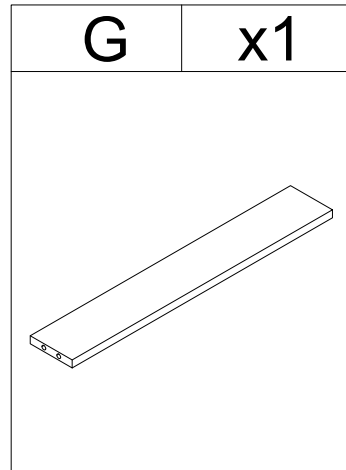
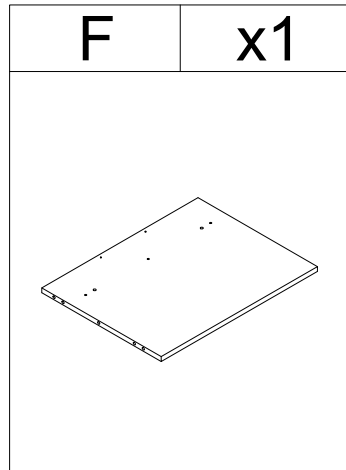
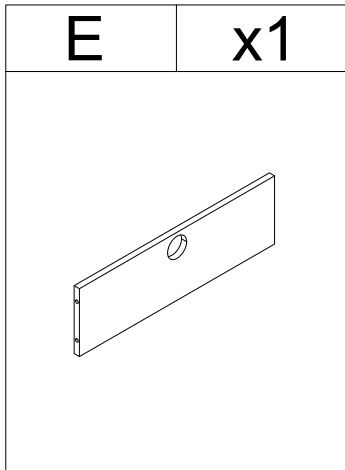
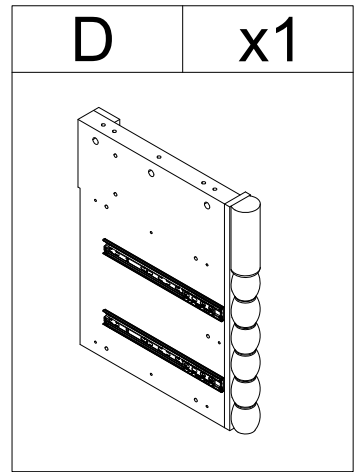
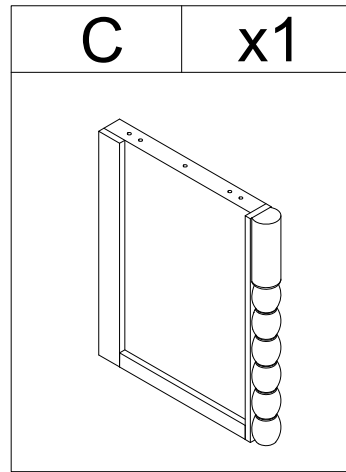
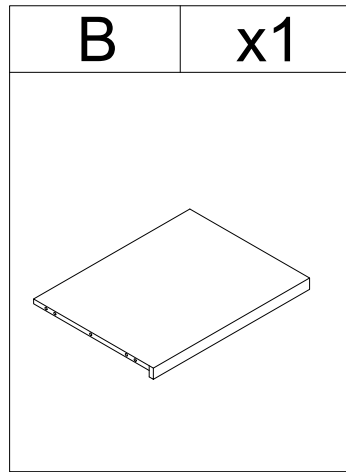
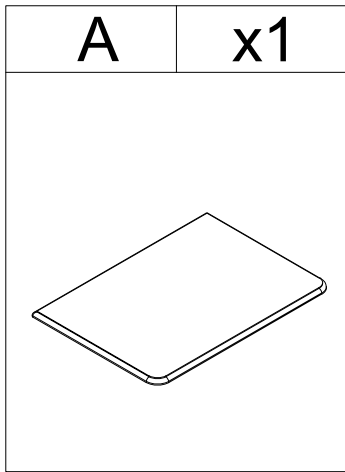


Two persons

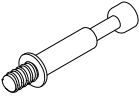

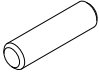
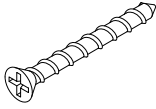
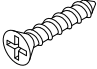
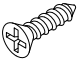

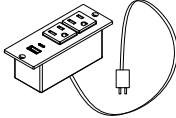
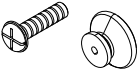
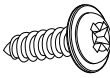
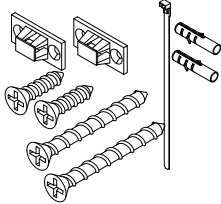


Around 45 min

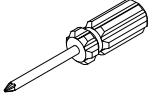
# PARTS LIST



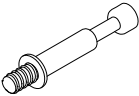

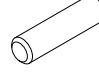
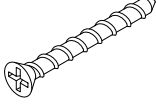

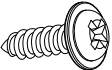
# HARDWARE LIST

#1	x22	#2	x22	#3	x28	#4	x23	#5	x4	#6	x2
											
M6x35mm		Ø15x10mm		Ø6x30mm		Ø4x35mm		Ø4x25mm		Ø3.5x12mm	
#7	x22	#8	x1	#9	x4	#10	x14	#11	x2		
											
				M4x22mm		Ø8*Ø3*16mm		Ø3.5x12mm Ø4x35mm			

# TOOL LIST

#12	x1
	

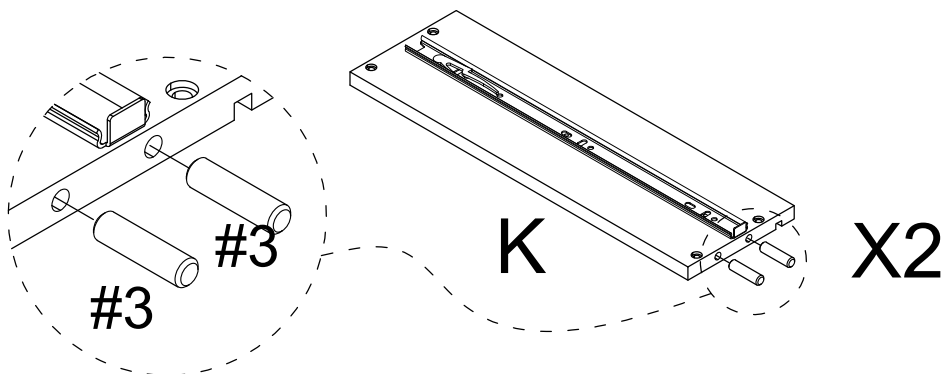
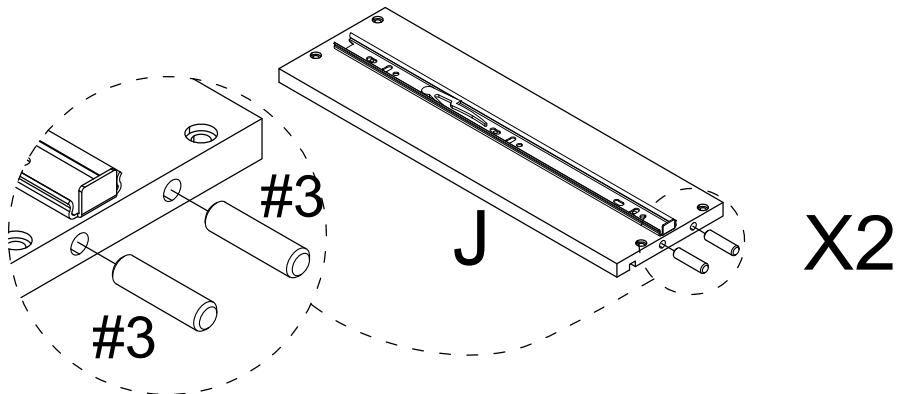
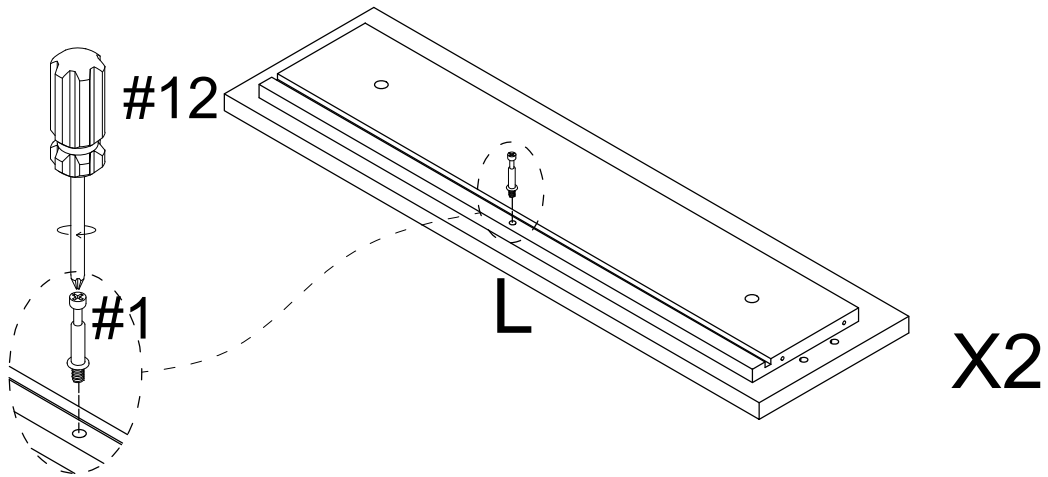
# HARDWARE SPARE LIST

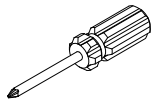
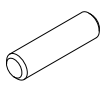
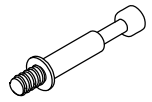
#1	x2	#2	x2	#3	x4	#4	x2	#7	x2
									
M6x35mm		Ø15x10mm		Ø6x30mm		Ø4x35mm			
#10	x2								
									
Ø8*Ø3*16mm									

# ASSEMBLY INSTRUCTIONS

## STEP-1

1. Tighten the bolt #1 into the corresponding hole of panel L with screwdriver #12
2. Align the holes in part J & K, insert wooden dowel #3 by hand



#12	x1	#3	x8	#1	x2
					
		Ø6x30mm		M6x35mm	

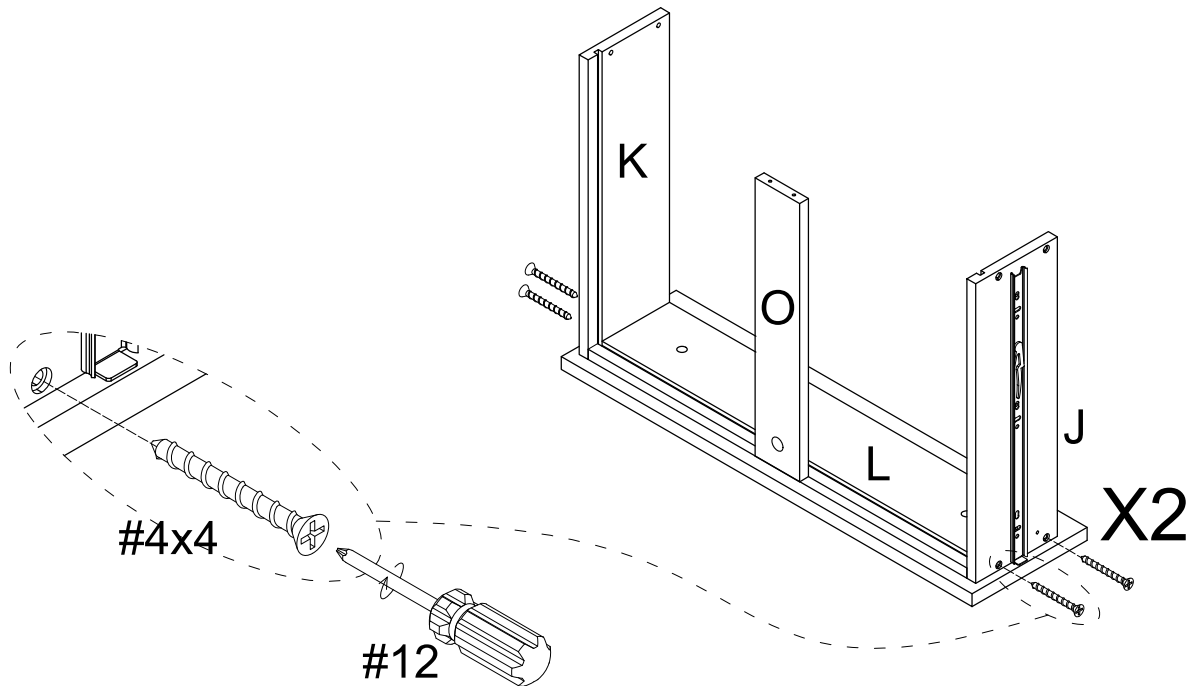
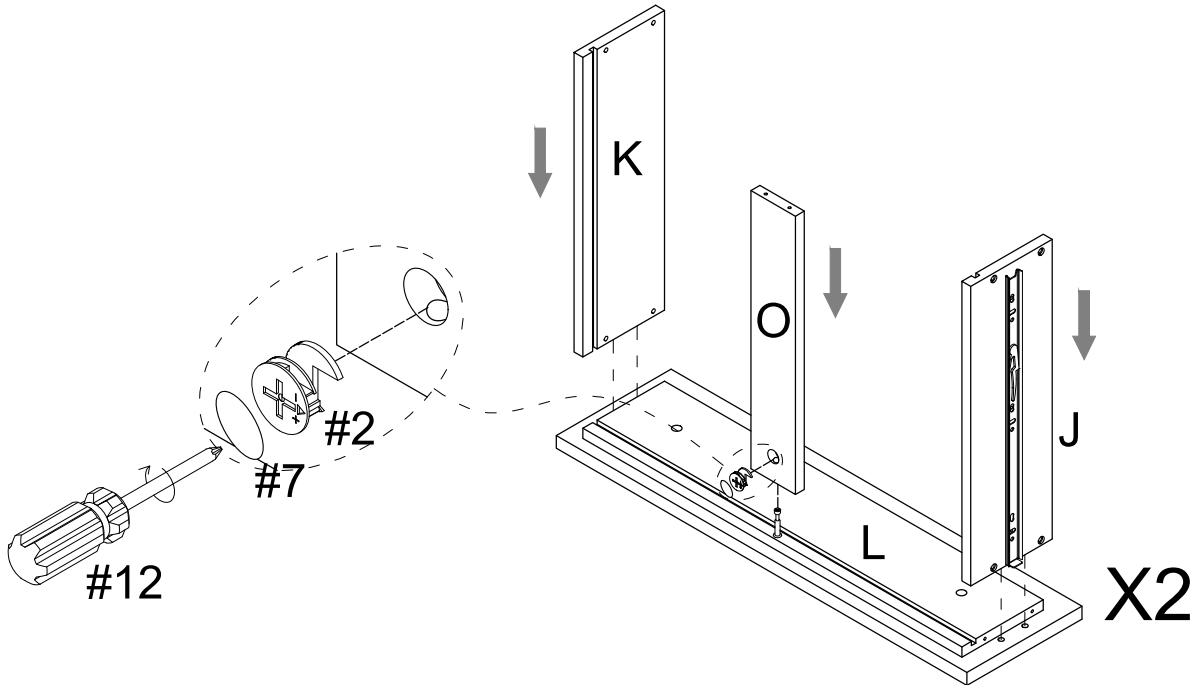
# ASSEMBLY INSTRUCTIONS

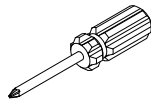
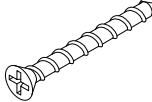


## STEP-2

Connect panel K & O & J with L,

1. Insert cam bolt #2 into the corresponding hole of panel O then tighten with screwdriver #12 and cover the cam lock #2 with sticker #7

2. Align the holes, use screw #4 to attach panel J & K to panel L

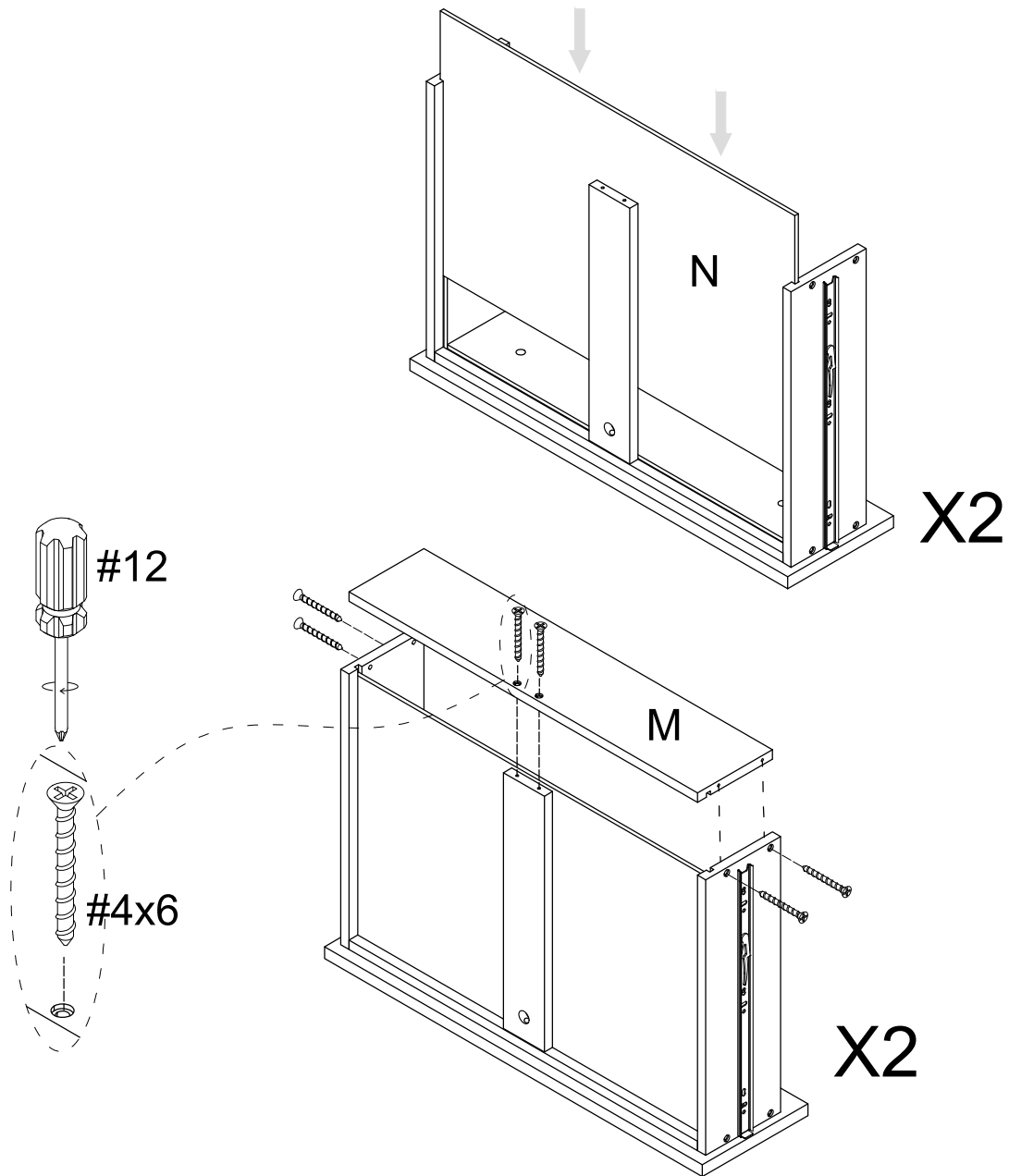


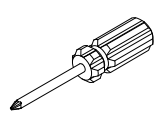
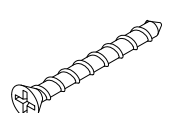
#12	x1	#4	x8	#7	x2	#2	x2
							
		Ø4x35mm				Ø15x10mm	

# ASSEMBLY INSTRUCTIONS

## STEP-3

1. Slide in the part N into the corresponding groove .
2. Attach M with screw #4 by screwdriver #12

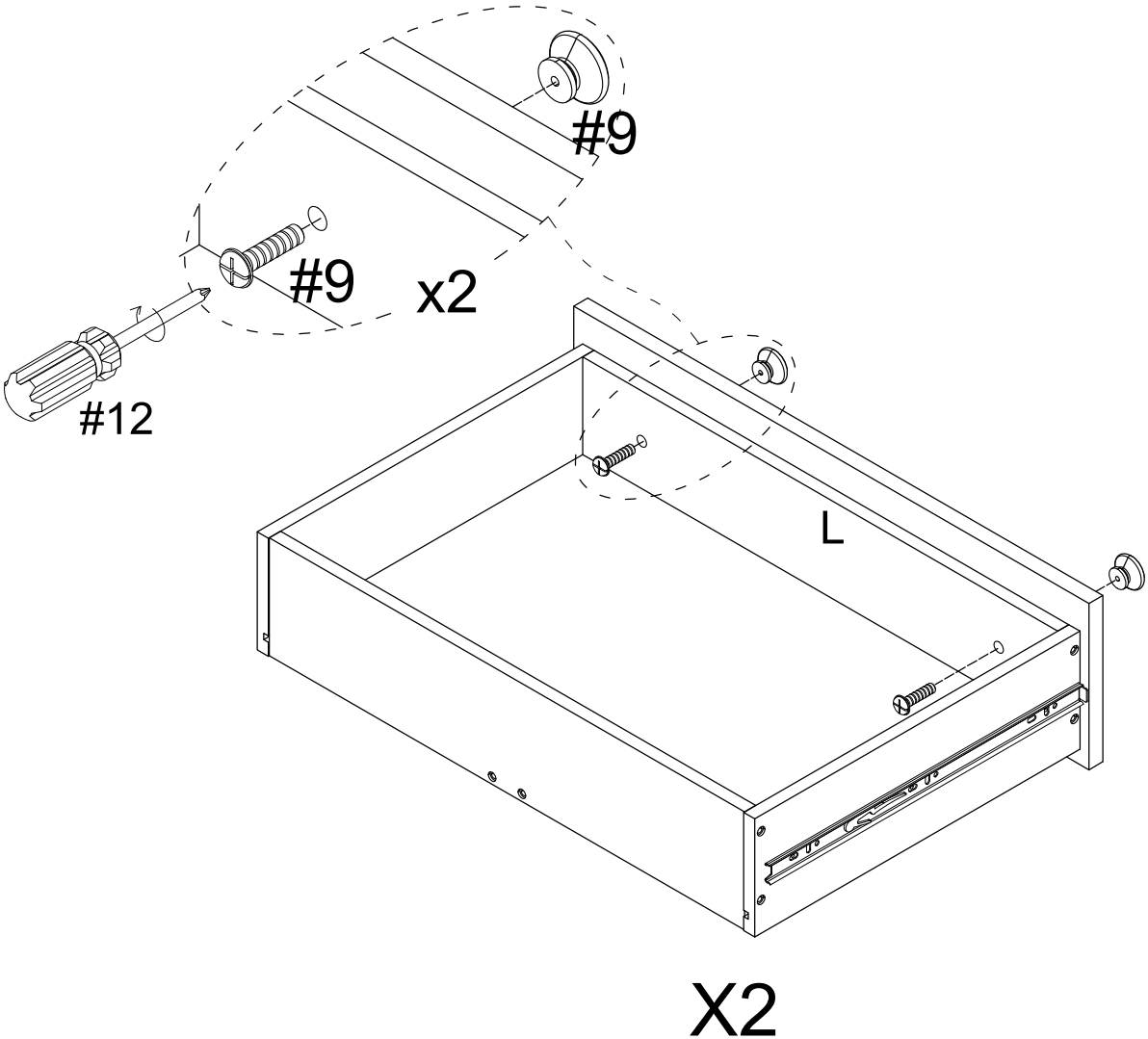


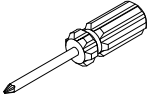
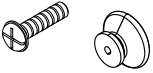
#12	x1	#4	x12
			
		Ø4x35mm	

# ASSEMBLY INSTRUCTIONS

## STEP-4

Use screw #9 to attach the handle #9 to door panel L, tighten screws #9 with screwdriver #12.



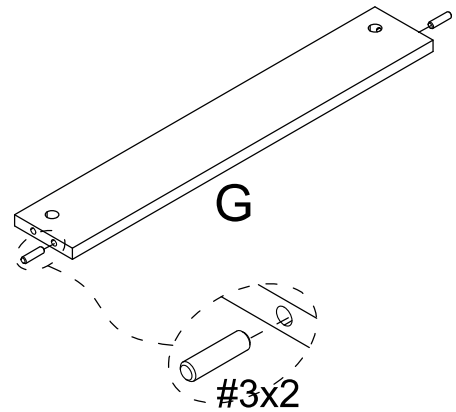
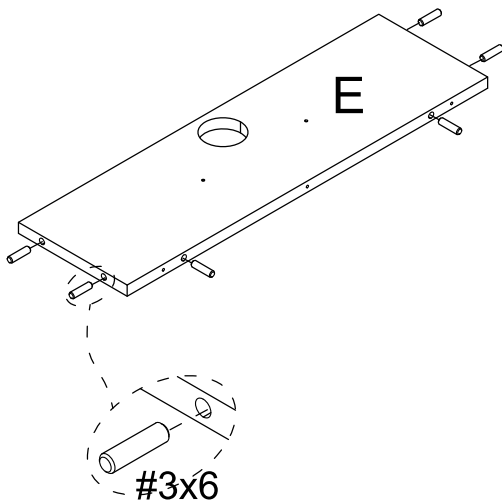
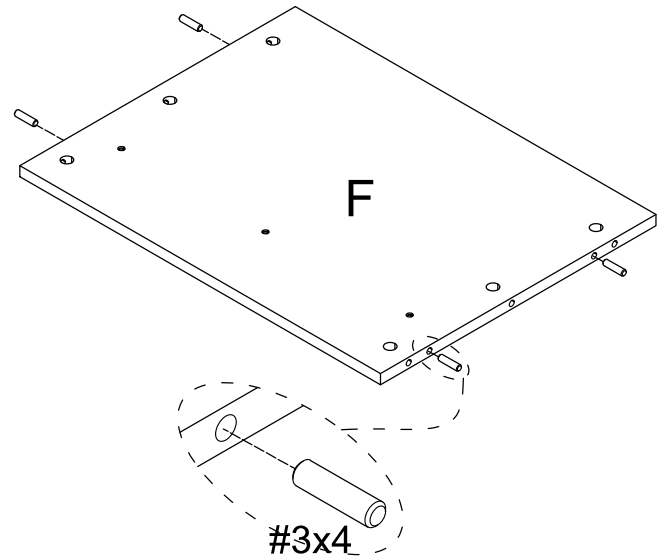
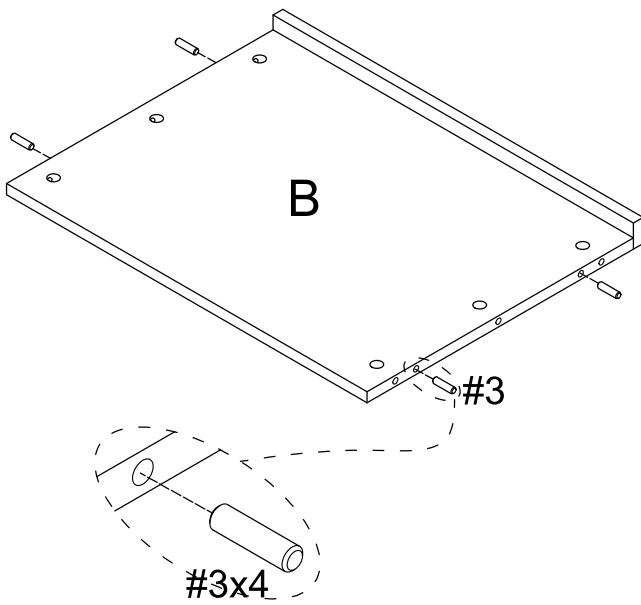
#12	x1	#9	x4
			
		M4x22mm	

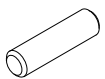
# ASSEMBLY INSTRUCTIONS

## STEP-5

Prepare for part B & E & F & G

Align the holes in part B & E & F & G, insert wooden dowel #3 by hand

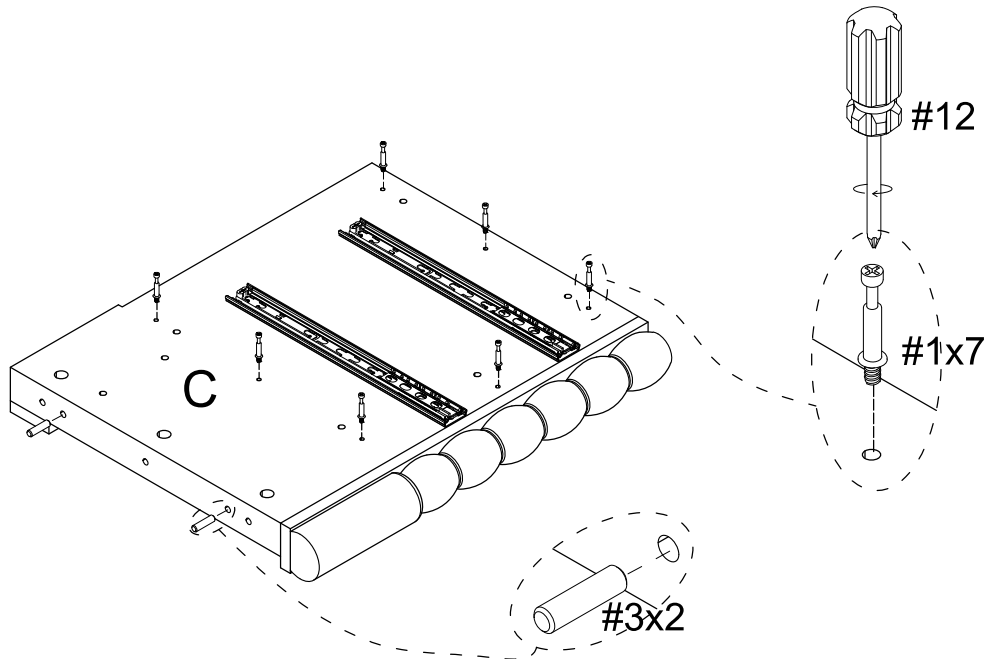
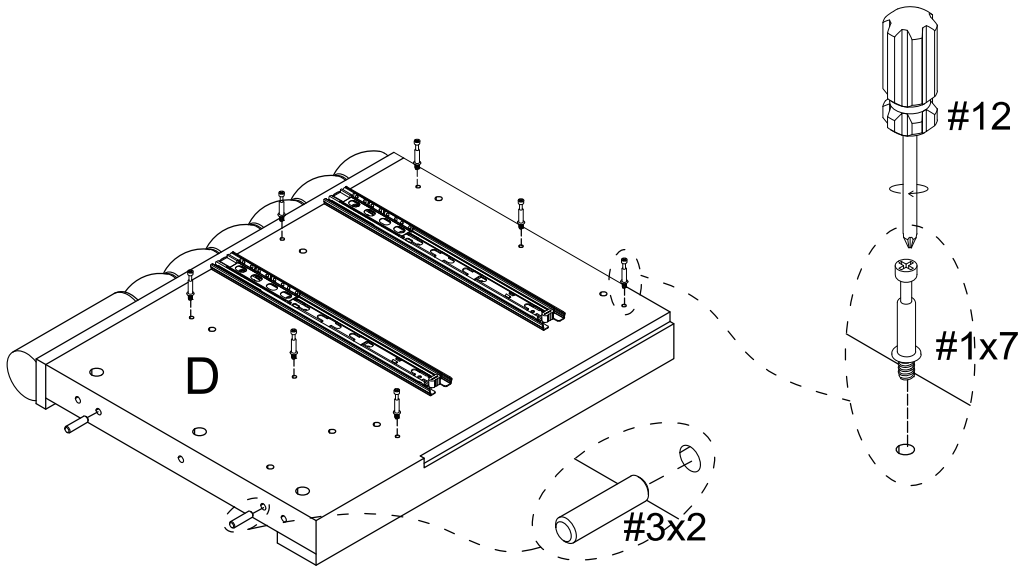


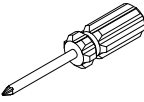

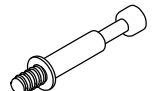
#3	x16
	
Ø6x30mm	

# ASSEMBLY INSTRUCTIONS

## STEP-6

1. Tighten the bolt #1 into the corresponding hole of C & D with screwdriver #12
2. Align the holes in part C & D, insert wooden dowel #3 by hand

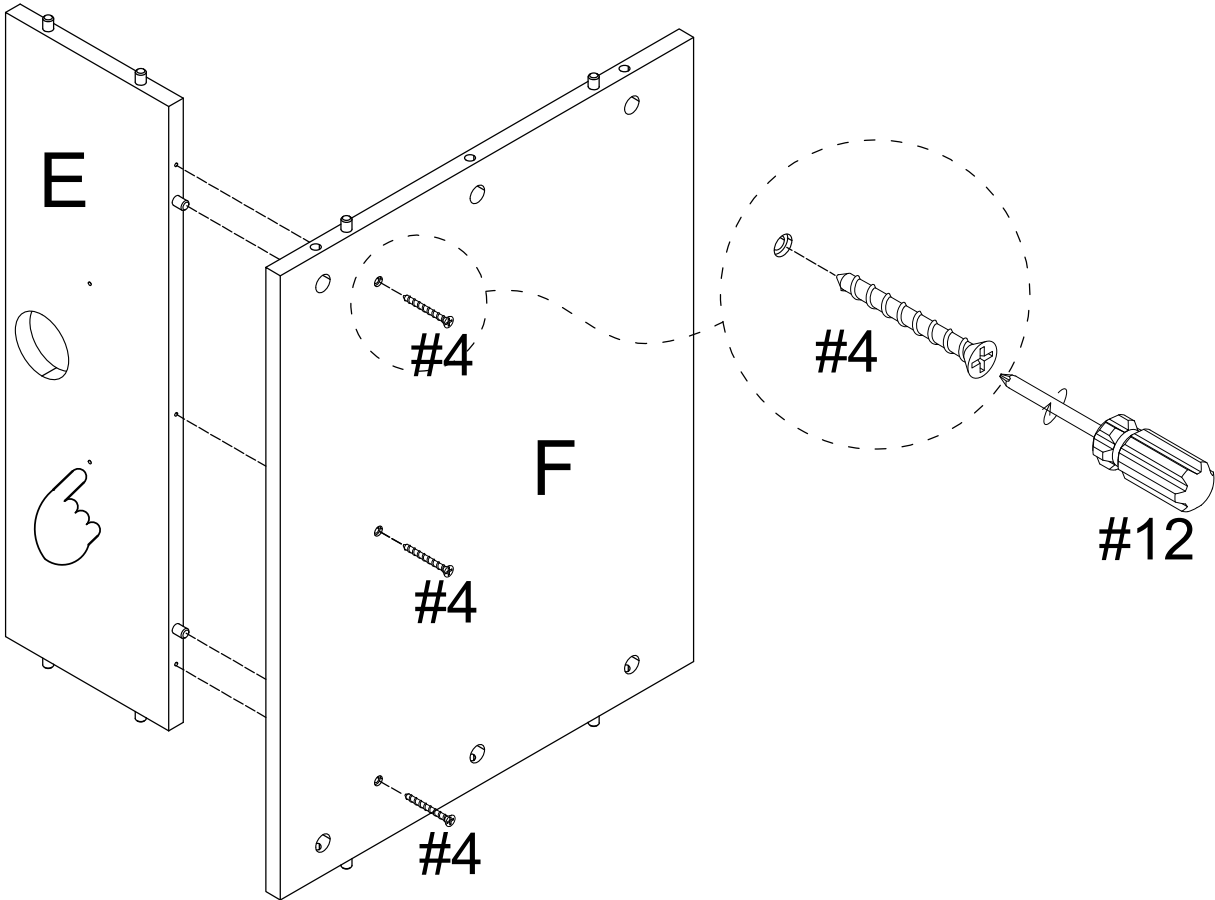


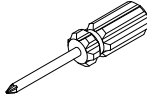
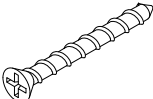
#12	x1	#3	x4	#1	x14
					
		Ø6x30mm		M6x35mm	

# ASSEMBLY INSTRUCTIONS

## STEP-7

Use screw #4 to attach E & F with screwdriver #12

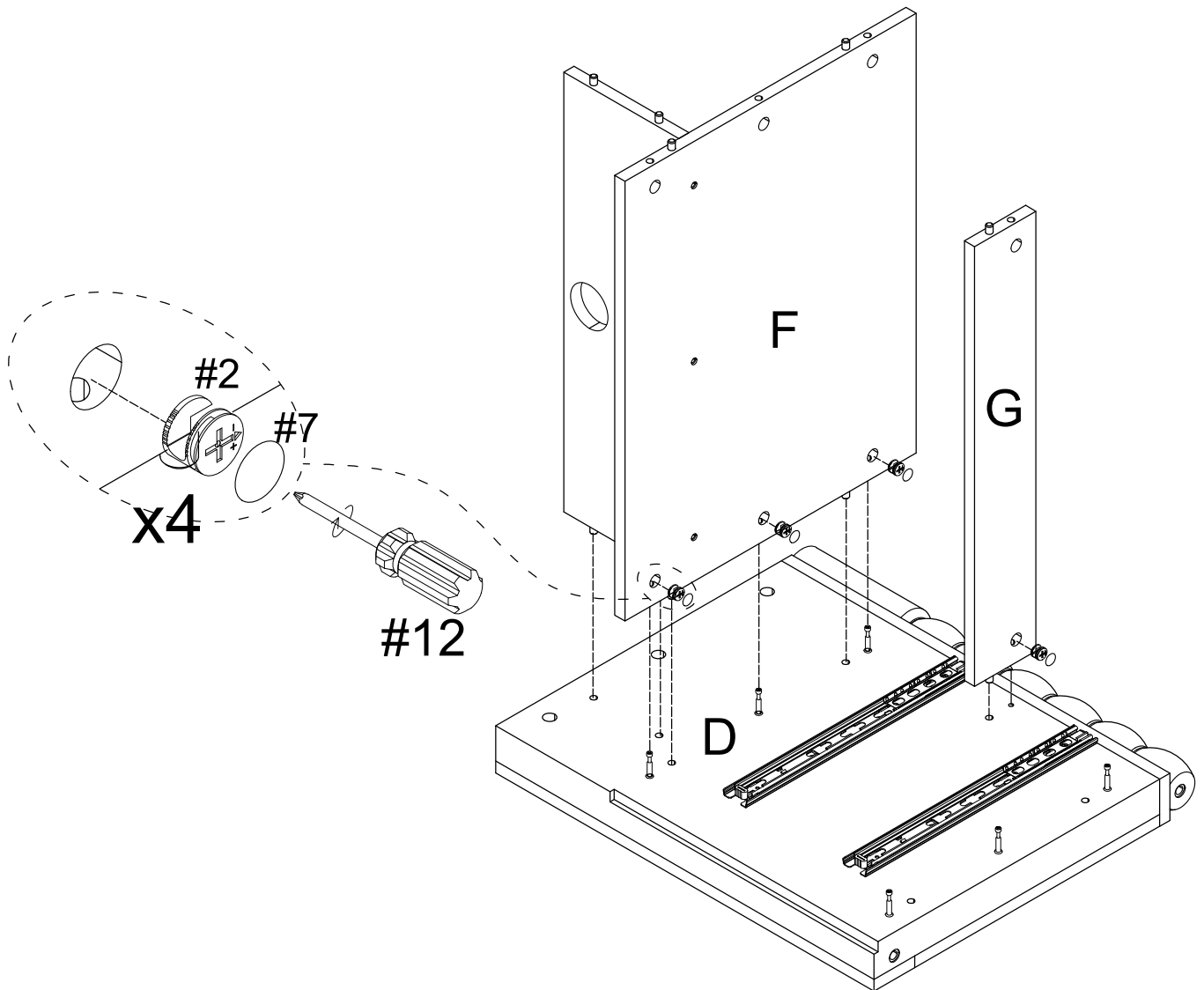


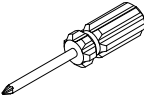


#12	x1	#4	x3
			
		Ø4x35mm	

# ASSEMBLY INSTRUCTIONS

## STEP-8

1. Insert cam bolt #2 into the corresponding hole of panel F & G, then tighten the cam bolt #2 with screwdriver #12
2. Cover the cam lock #2 with sticker #7

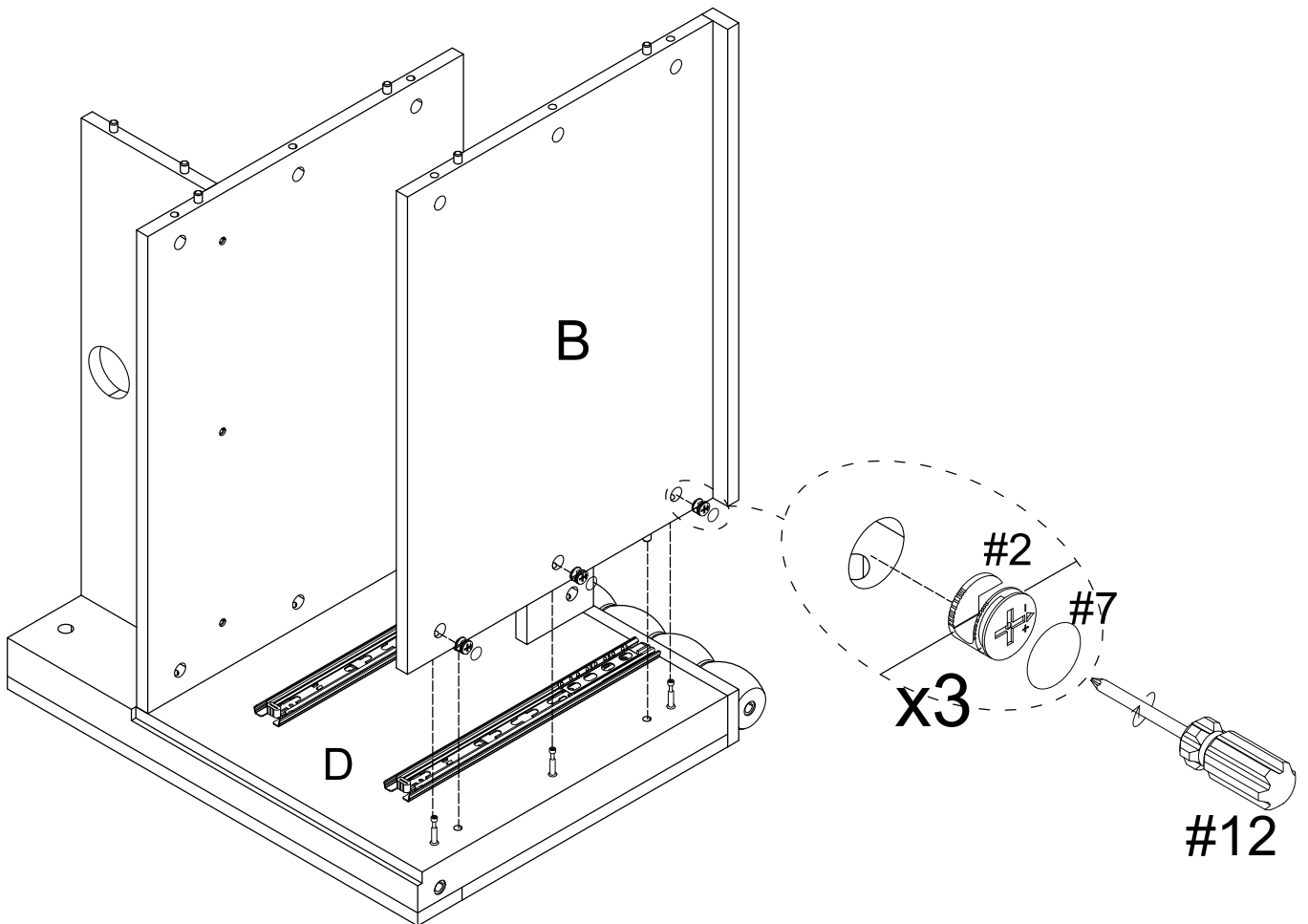


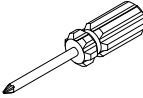


#12	x1	#7	x4	#2	x4
					
				Ø15x10mm	

# ASSEMBLY INSTRUCTIONS

## STEP-9

1. Insert cam bolt #2 into the corresponding hole of panel B, then tighten the cam bolt #2 with screwdriver #12
2. Cover the cam lock #2 with sticker #7

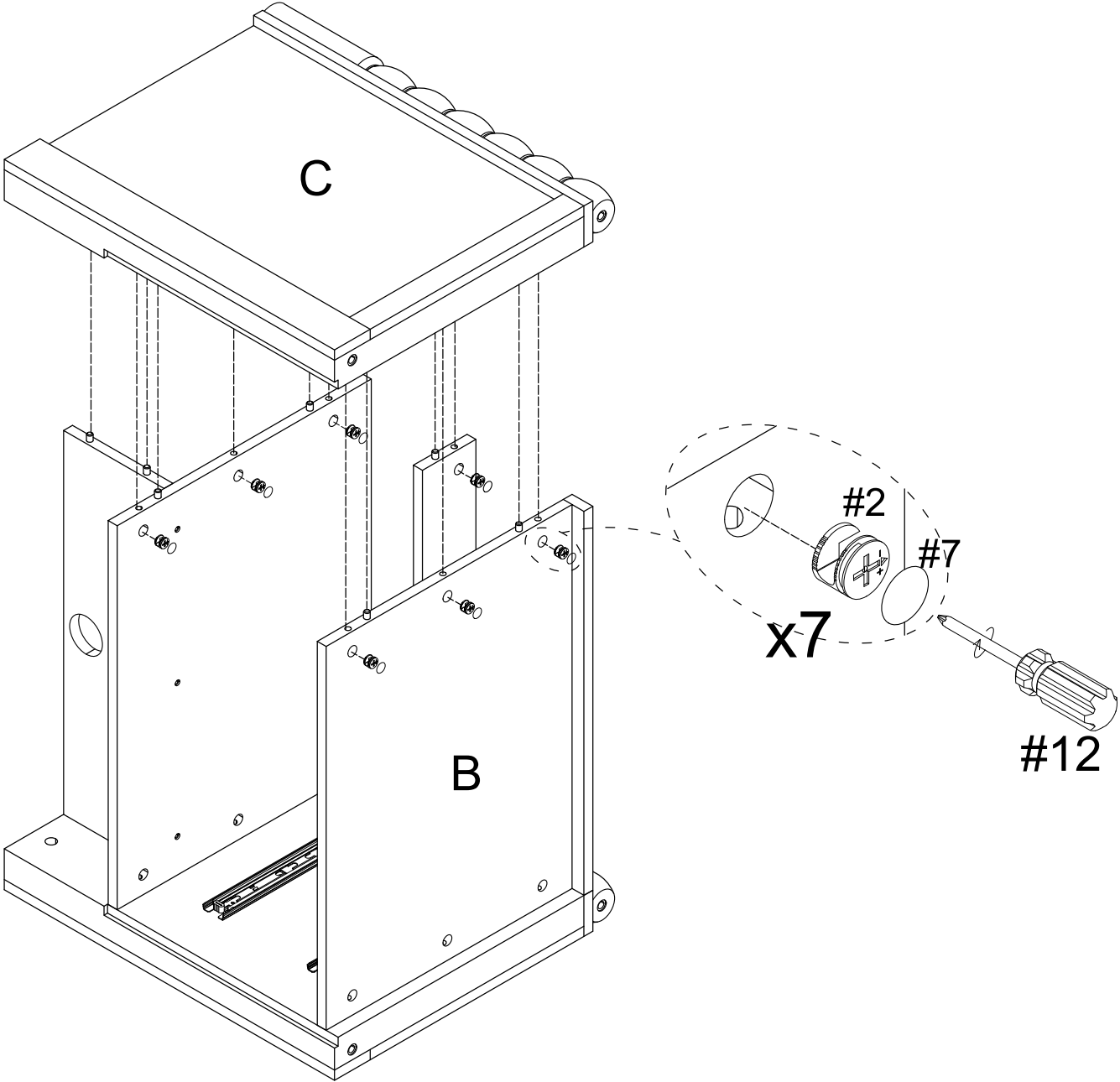


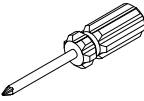


#12	x1	#7	x3	#2	x3
					
				Ø15x10mm	

# ASSEMBLY INSTRUCTIONS

## STEP-10

1. Insert cam bolt #2 into the corresponding hole of panel B & F & G, then tighten the cam bolt #2 with screwdriver #12
2. Cover the cam lock #2 with sticker #7

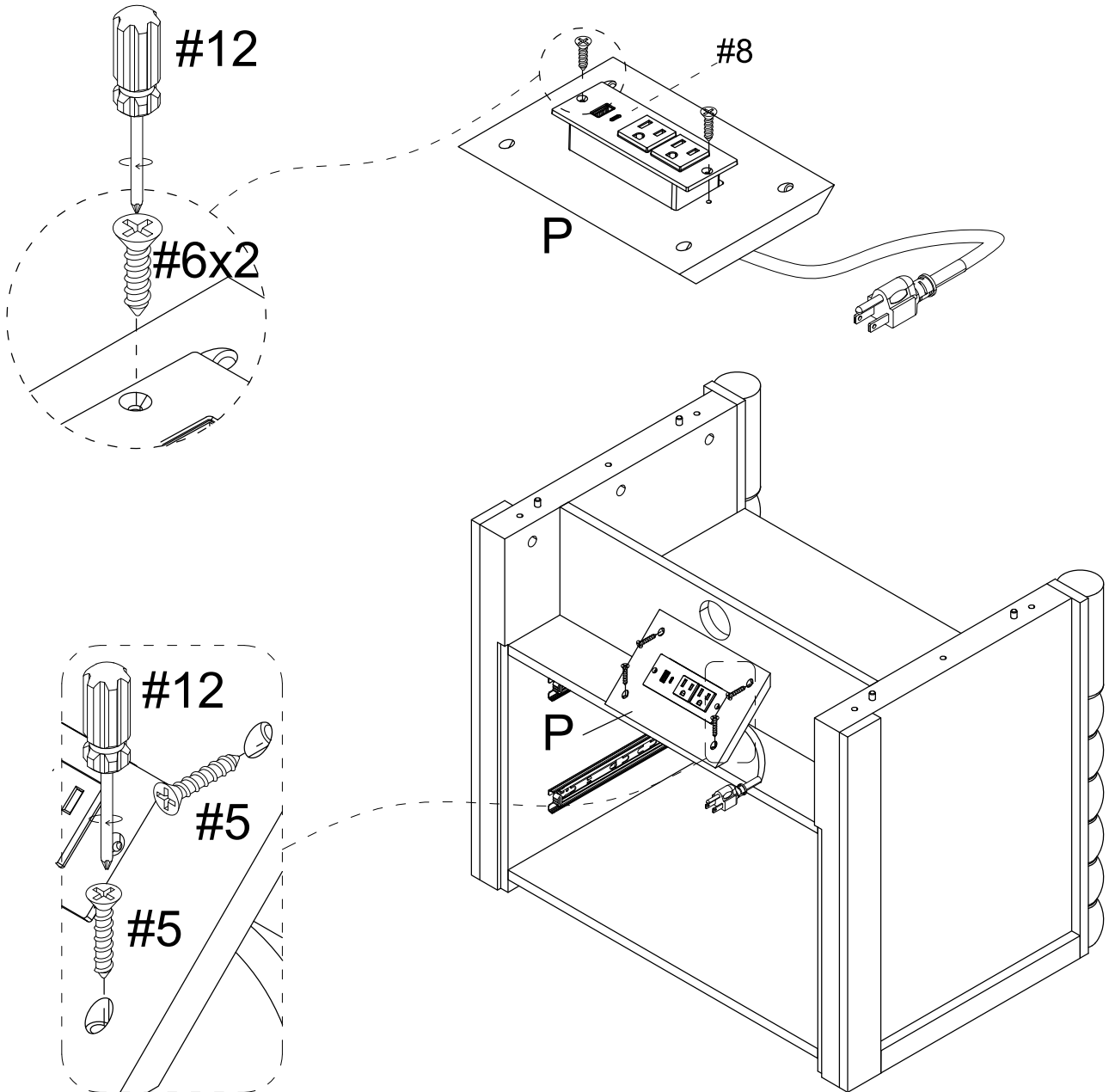


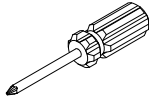
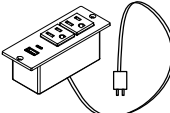
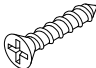

#12	x1	#7	x7	#2	x7
					
				Ø15x10mm	

# ASSEMBLY INSTRUCTIONS

## STEP-11

1. Use screw #6 to attach socket #8 to part P with screwdriver #12
2. Use screw #5 to attach assembled P to panel F & G with screwdriver #12 as picture shown

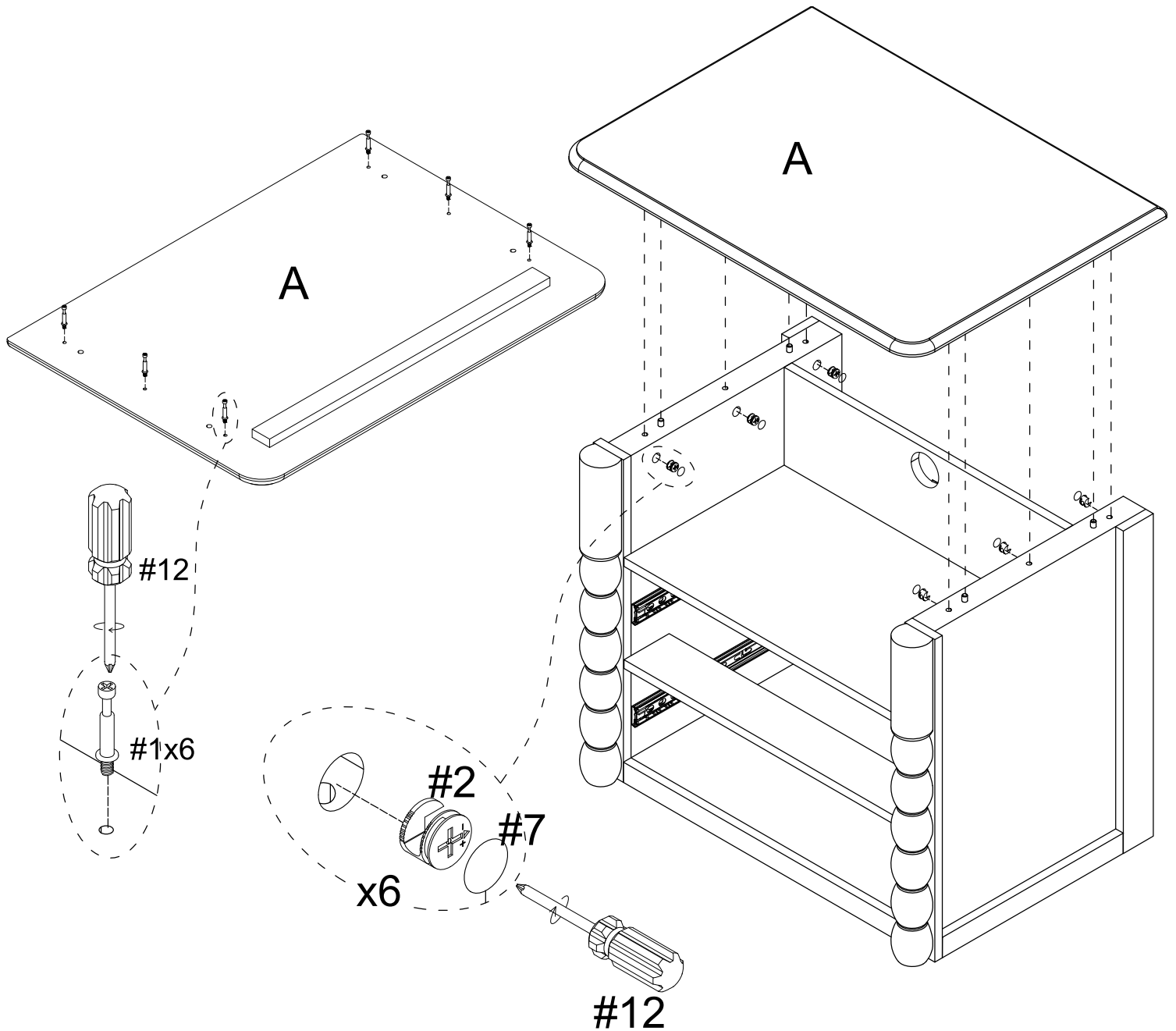


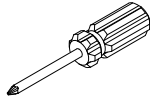
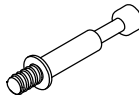


#12	x1	#8	x1	#5	x4	#6	x2
							
				Ø4x25mm		Ø3.5x12mm	

# ASSEMBLY INSTRUCTIONS

## STEP-12

1. Tighten the bolt #1 into the corresponding hole of panel A with screwdriver #12
2. Align the holes in part C & D, connect panel A to C & D with cam bolt #2, then tighten the cam bolt #2 with screwdriver #12
3. Cover the cam lock #2 with sticker #7



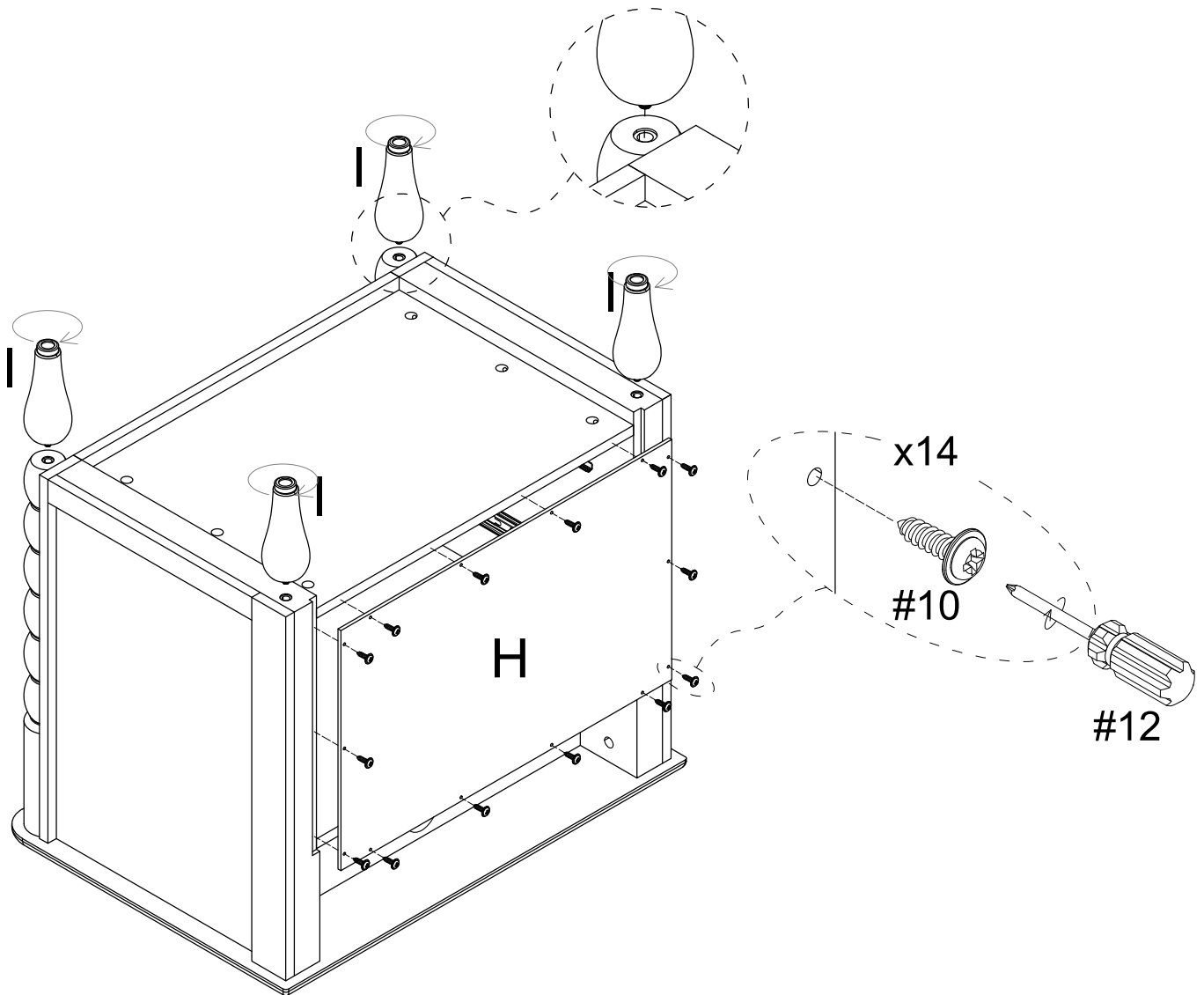
#12	x1	#1	x6	#7	x6	#2	x6
							
		M6x35mm				Ø15x10mm	

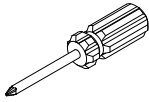
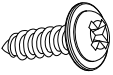
# ASSEMBLY INSTRUCTIONS

## STEP-13

Turn the assembled unit upright.

- 1.Screw foot I into corresponding hole by hand as picture show
- 2.Attach panel H with screw #10 by screwdriver #12

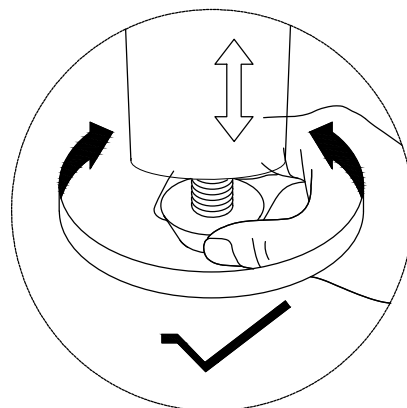
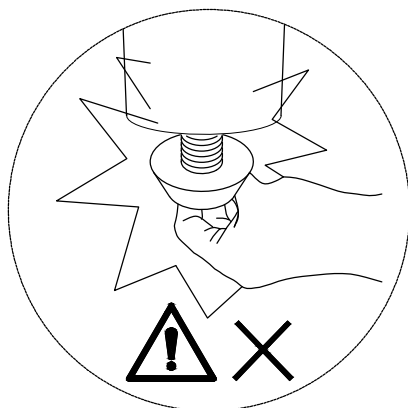
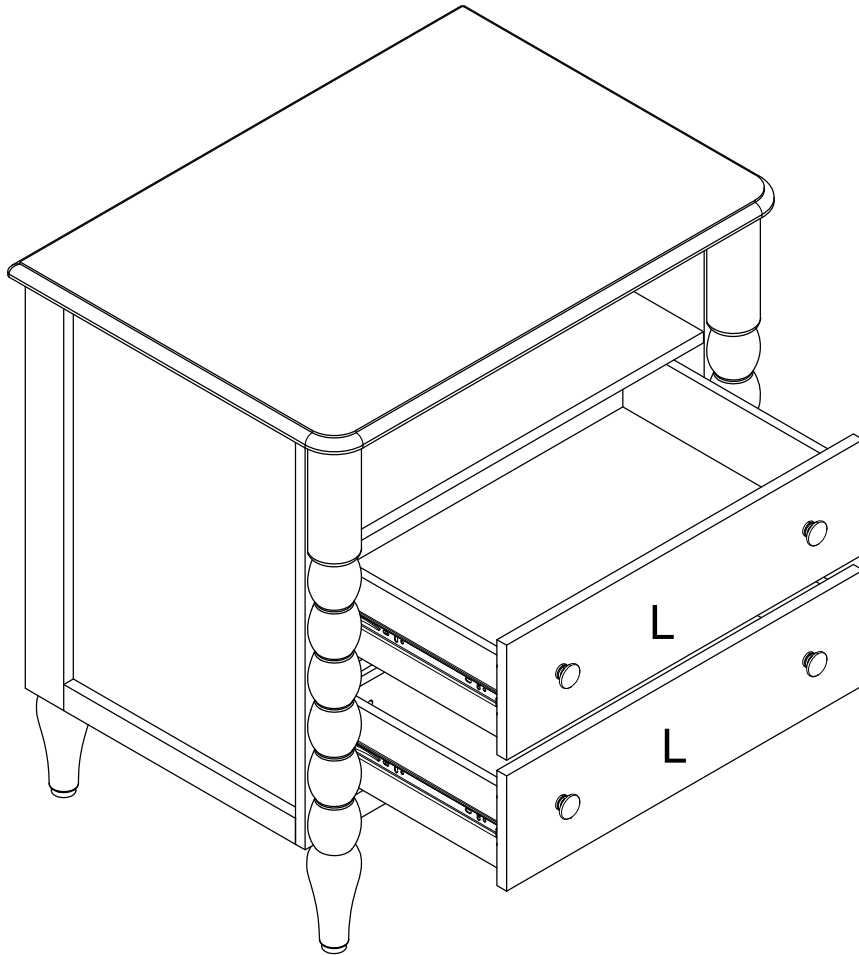
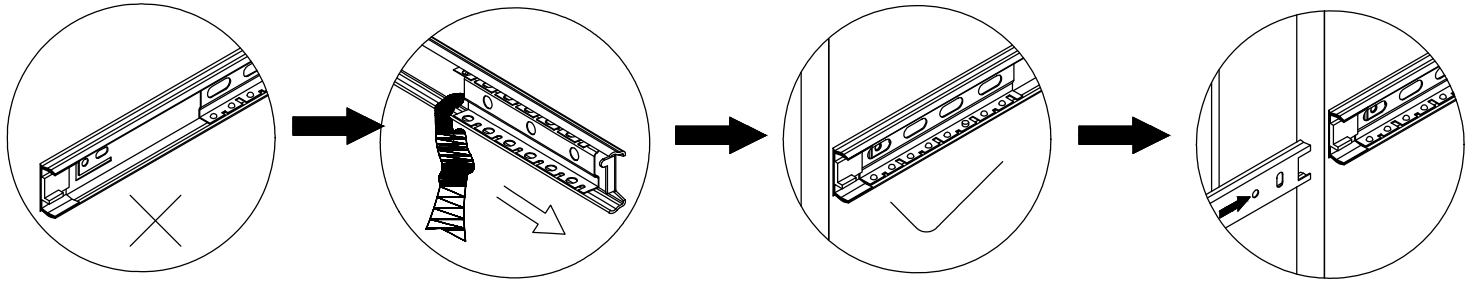


#12	x1	#10	x14
			
		Ø8*Ø3*16mm	

# ASSEMBLY INSTRUCTIONS

## STEP-14

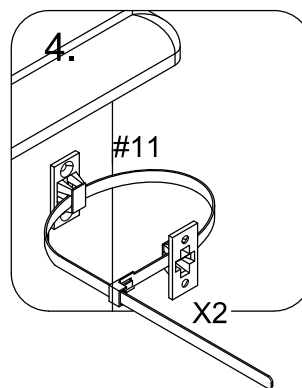
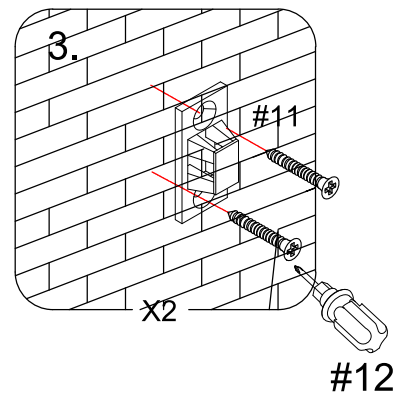
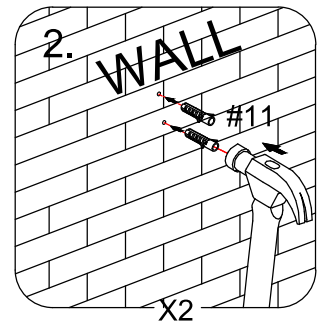
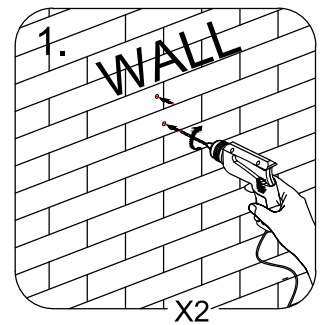
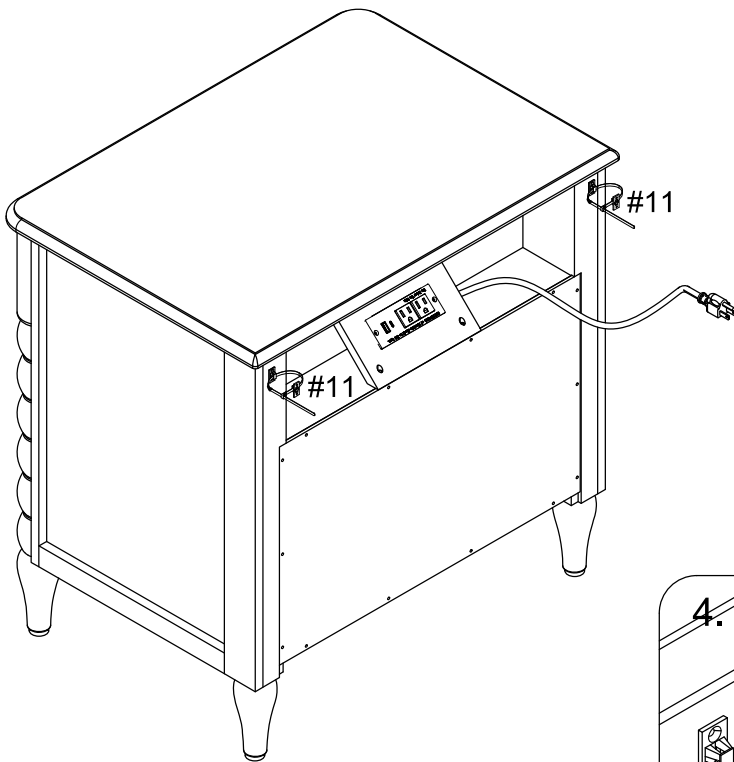
Please note: When installing the drawer slides, you need to move the small removable slides with steel balls inside the OUTER slides to the front (near the drawer panels), and then install the INNER slides along the track into the OUTER slides.



# ASSEMBLY INSTRUCTIONS

## STEP-15

1. Install the anti-collapse device.
2. Mark the position on the wall, that corresponds to the location of part (#11 plastic buckle) on the Side panel (C&D);  
Drill and insert the expandable screw(#11 plastic screw) by hammer.
3. Assemble the part (#11 plastic buckle) to the wall. Align the hole in the part (#11 plastic buckle)with the expandable screw (#11 plastic screw), use screw (#11,Longer screws) to attach it and tighten by screwdriver(#12)
4. Assemble the part (#11 plastic buckle) to the back of Side panel (C&D). Align the hole in the part (#11 plastic buckle), use screw (#11 Shor screws) to attach it and tighten by screwdriver (#12)
5. Let the plastic belt #11 pass through the both part #11 and pull tightly



#12	x1	#11	x2
		$\text{\O}3.5 \times 12\text{mm}$ $\text{\O}4 \times 35\text{mm}$	

# WARRANTY

1. We strive to offer high-quality products, and we also try our best to satisfy each and every customer that orders from us with product or service as needed.
2. We provide 30 days warranty starting from the time you receive the item. Each customer must provide a record of their order such as the order number, or item receipt for any items that are out of the warranty period you may also still receive.
3. Replacement parts by purchasing them with our company if they are available.