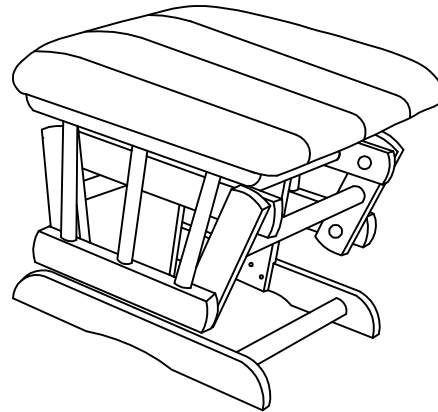
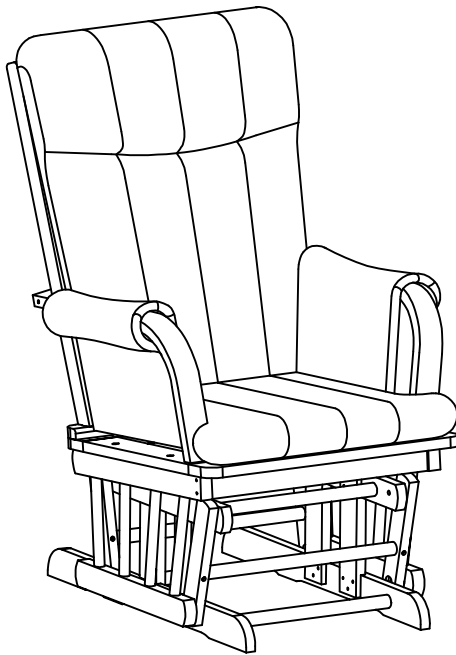


# ASSEMBLY INSTRUCTIONS

Glider/Rocker with Ottoman



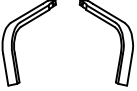

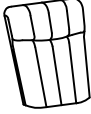

ITEM#:








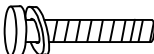
## WARNING ⚠ CAUTION

1. This product contains bolts and other small parts that may present a choking hazard for children 3 years or under. This unit must be assembled by an adult.
2. Periodically check the safety of your product by making certain all bolts and nuts are tightened securely.

### COMPONENT PARTS

<b>A</b> 1pc Back Frame 	<b>B</b> 1pc Base 	<b>C</b> 2pcs armrests 
<b>D</b> 2pcs Armrest Cushions 	<b>E</b> 1pc Back Cushion 	<b>F</b> 1pc Seat Cushion 

### PARTS LIST

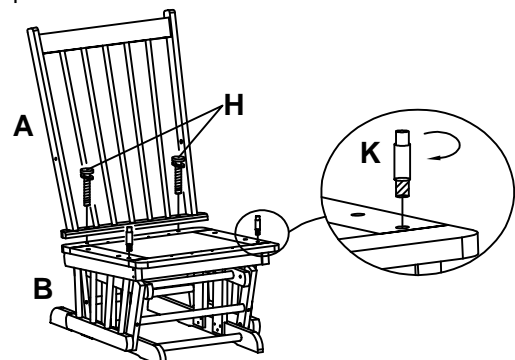
<b>G</b> 2pcs WOODEN PLUGS 	<b>H</b> 2pcs 30mm SCREWS AND WASHERS 	<b>I</b> 2pcs ALLEN KEY 
<b>J</b> 2pcs METAL PLUGS 	<b>K</b> 2pcs METAL ROD 	<b>L</b> 2pcs 45mm SCREWS AND WASHERS 

### NOTE:

DO NOT TIGHTEN SCREWS UNTIL STEP 3.

## STEP 1

Place the back frame (A) on the base (B) and align the holes in the back frame (A) with the holes on the base (B). Use the screw (H) in each of the two holes as shown and tighten with allen key (I). Put (K) into the seat top.

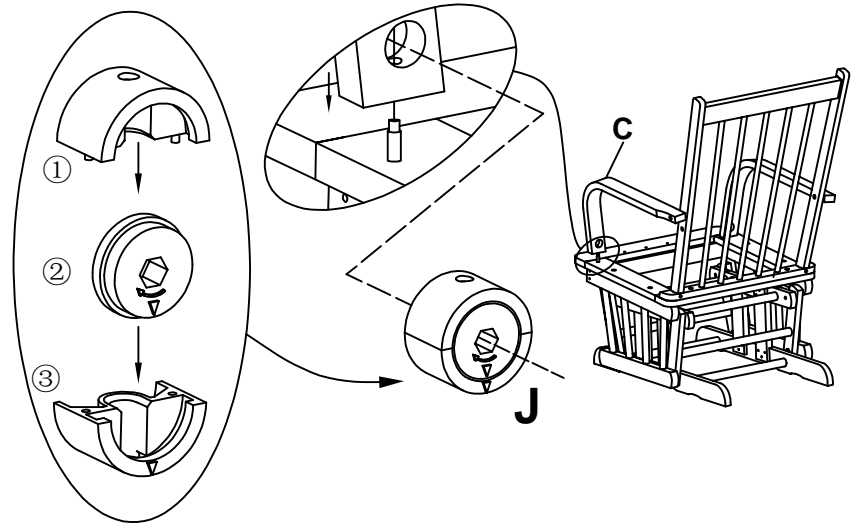


## STEP 2

### NOTE:

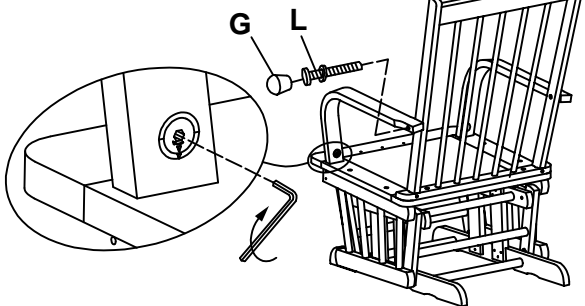
DO NOT TIGHTEN SCREWS  
UNTIL STEP 3.

Assembly ①+②+③ to be (J), Put (J) into armrest(C) hole(the small hole is upward and big hole is downward, arrow down clearly shown arrow down), Insert armrest(C) into seat top connected by (K).



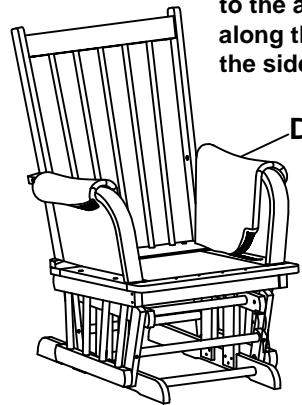
## STEP 3

Use (I) tighten (J) . Also tighten (L) , Which connect armrest(C) and back frame(A).  
Cover the hole via wooden plugs(G) onto back frame(A).



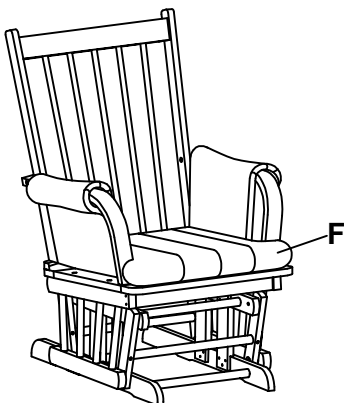
## STEP 4

Attach the armrest cushions (D) to the armrest (C) by the velcro along the interior seat and on the sides.



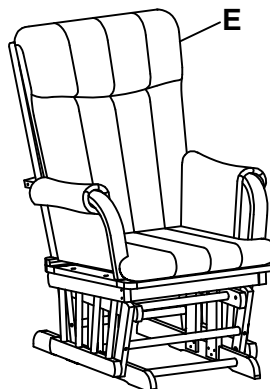
## STEP 5

Attach the seat cushion (F).



## STEP 6

Attach the back cushion (E) to the back frame (A).



## STEP 7

Tie up the cushion onto backrest

