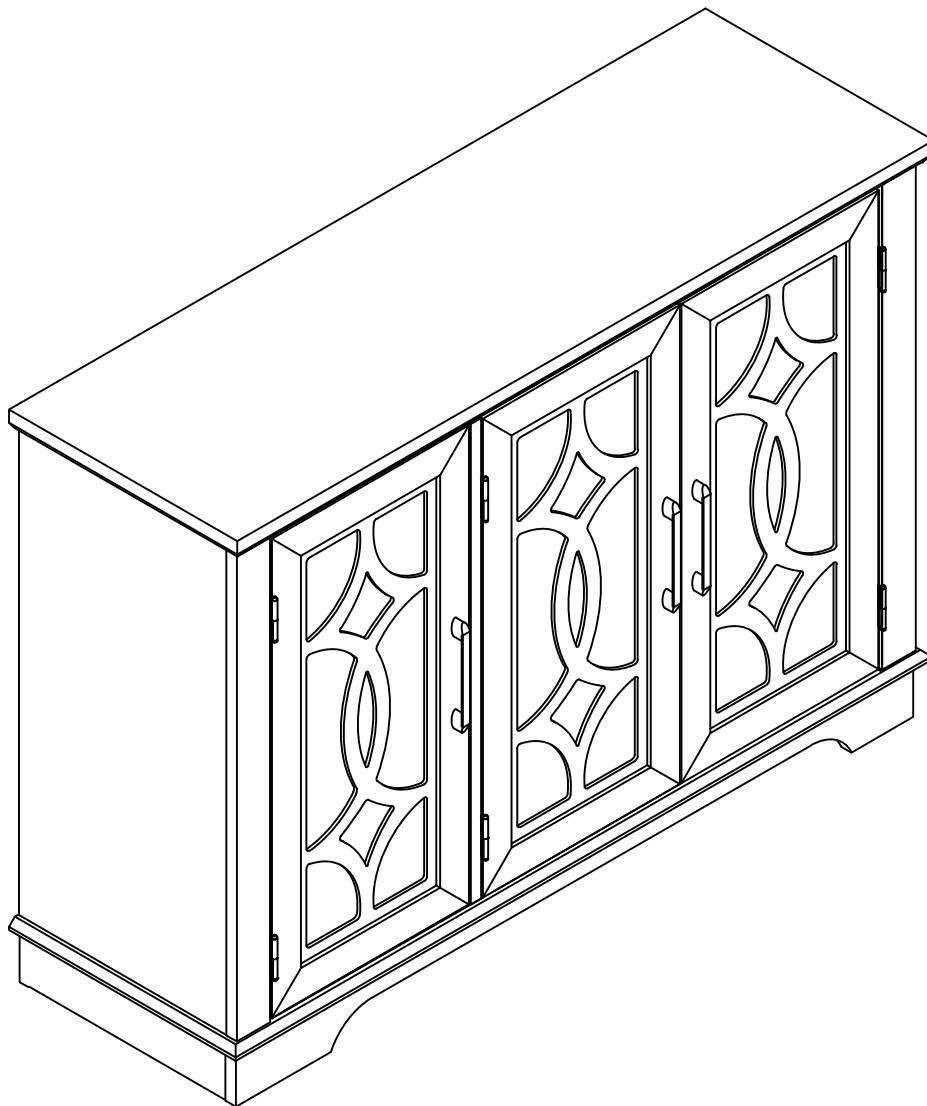
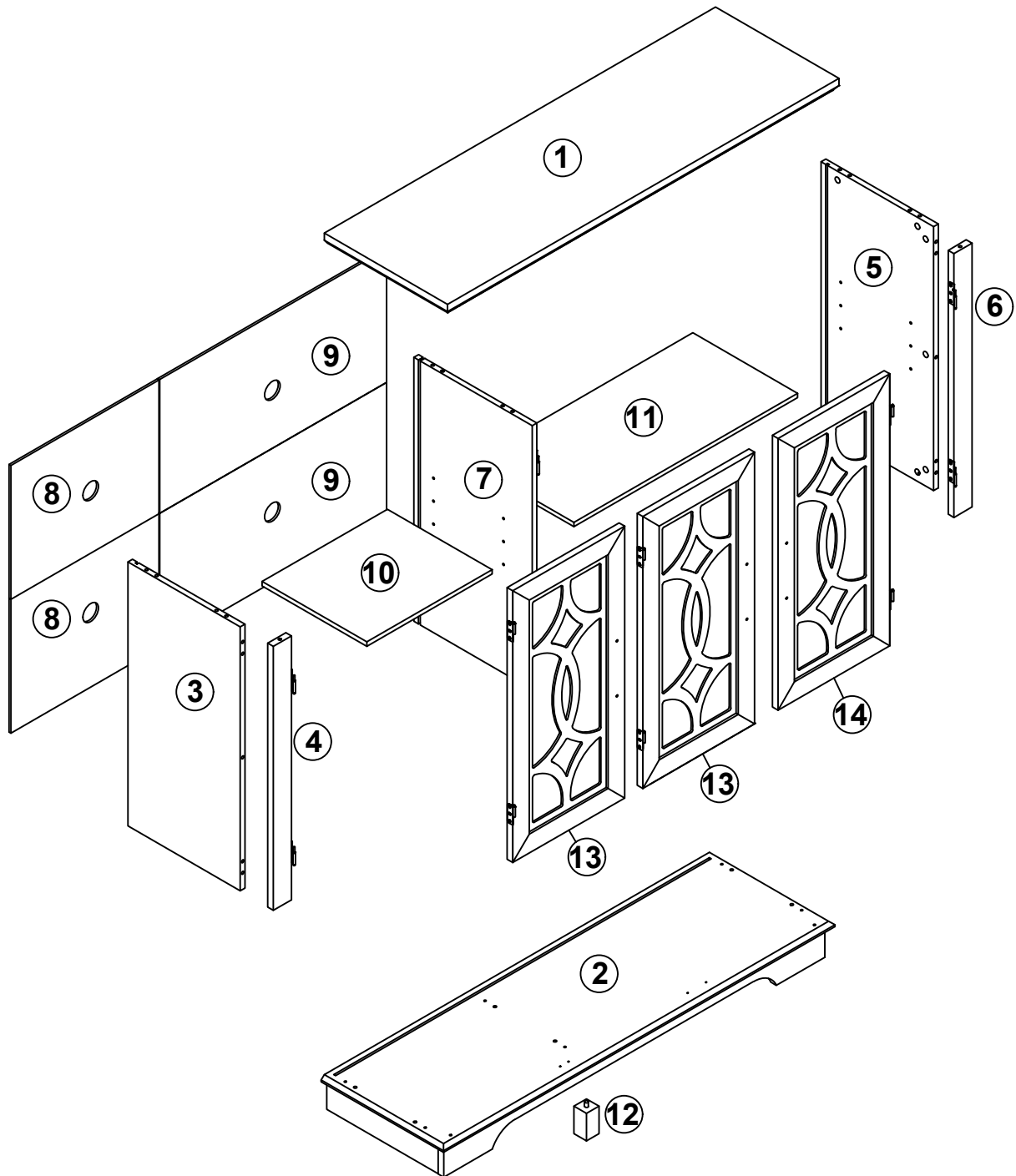


Assembly Instruction

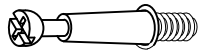


ASSEMBLY INSTRUCTION



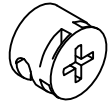
HARDWARE

A x 22+2spare



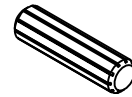
Ø6 x 32mm

B x 22+2spare



Ø15 x 10mm

C x 16+2spare



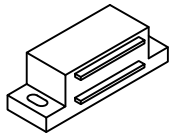
Ø8*30mm

D x 20+2spare



Ø3*18mm

E x 2



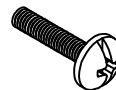
45*14*14 mm

F x 3



128*20mm

G x 6+1spare



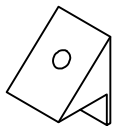
M4 *22mm

H x 2

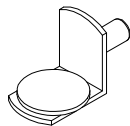


71*15*12 mm

I x 12+1spare



J x 8+1spare

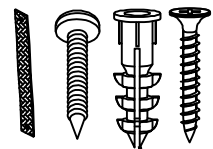


K x 24



Ø20mm

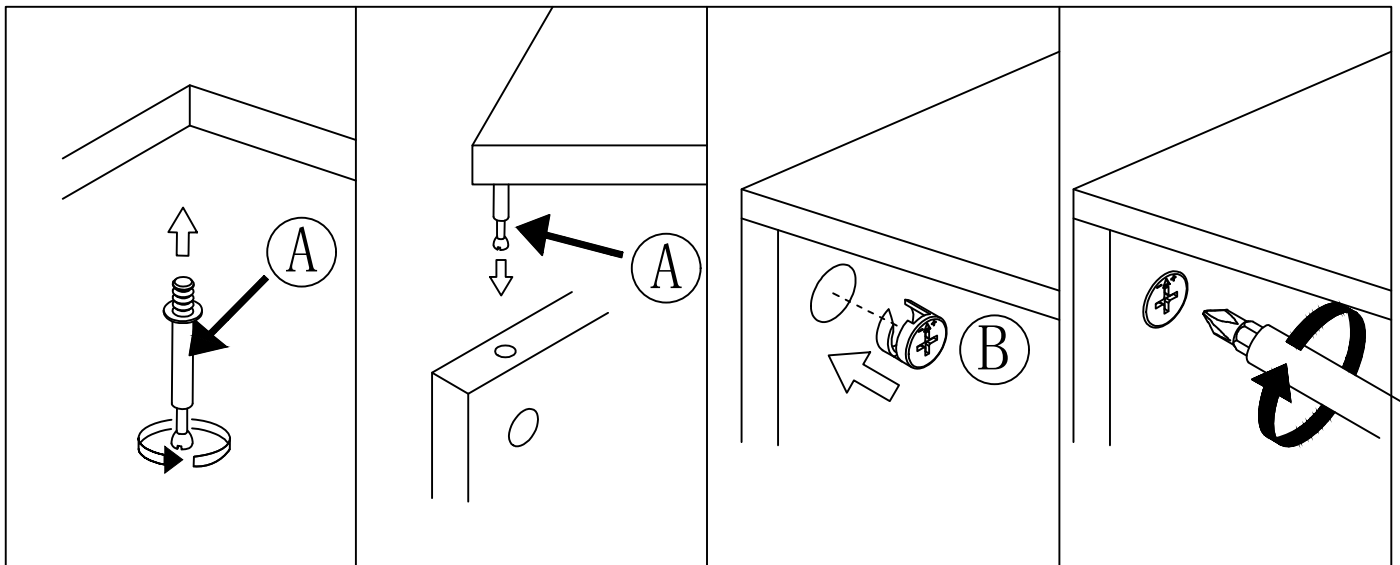
L x 2



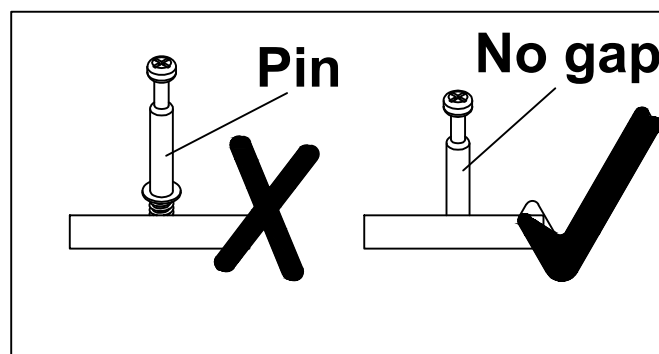
ASSEMBLY INSTRUCTION

Installation of Cams and Pins

Screw the pin into the hole. To set the cams correctly, ensure that the arrow on the cam is opening to the hole of the pin it is locking. Lock the cam by turning the cam head with a screwdriver until it is tightened. Please do not use an electric screwdriver to assemble the unit.

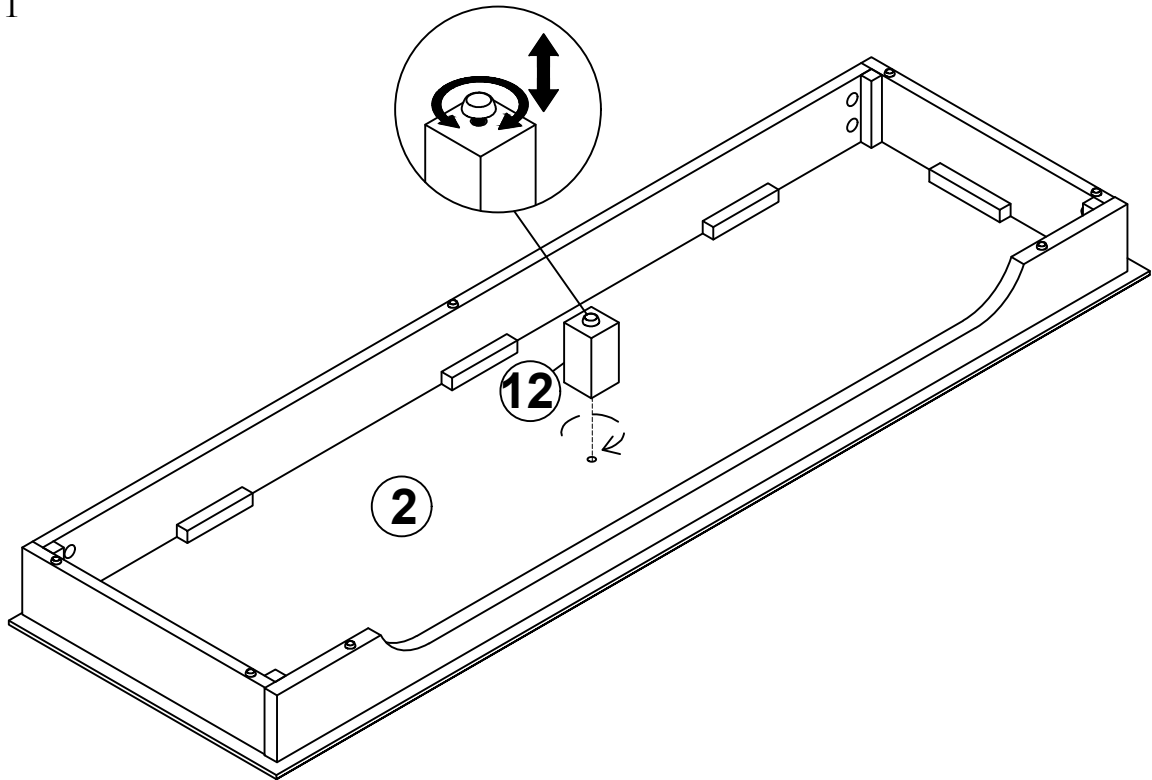


Read each step carefully before starting. It is very important that each step of instruction is performed in the correct order. If these steps are not followed in sequence, assembly difficulties will occur.







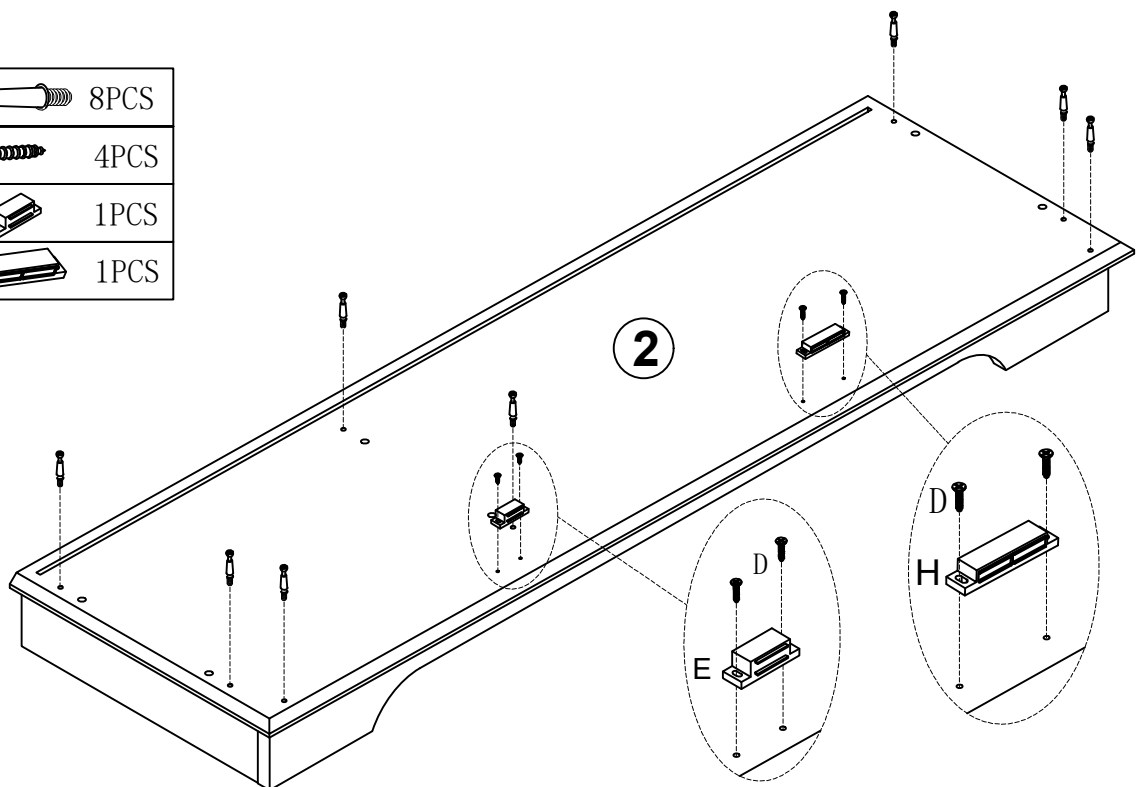
ASSEMBLY INSTRUCTION

STEP 1



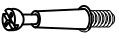


STEP 2

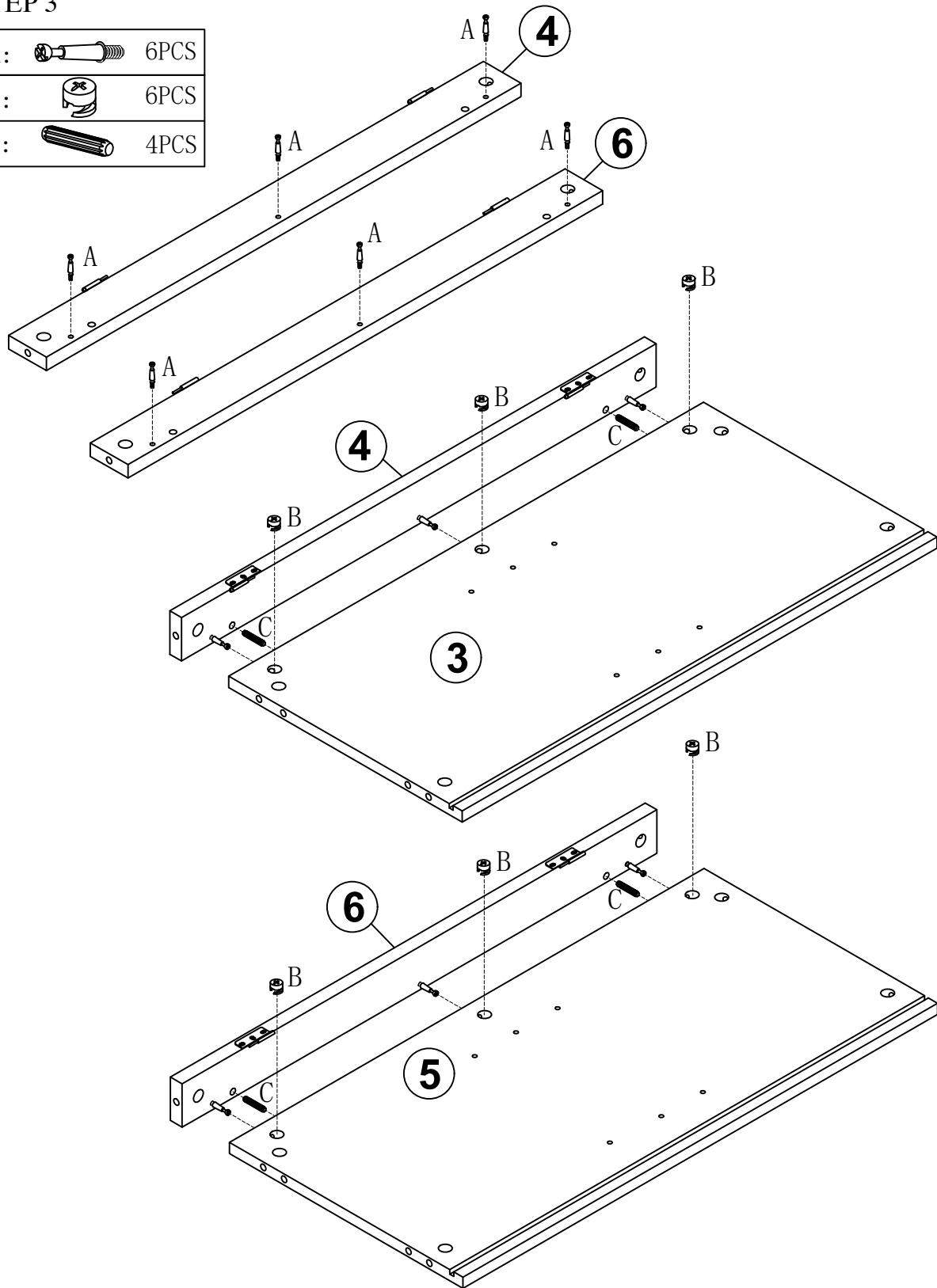
A:		8PCS
D:		4PCS
E:		1PCS
H:		1PCS



ASSEMBLY INSTRUCTION



STEP 3

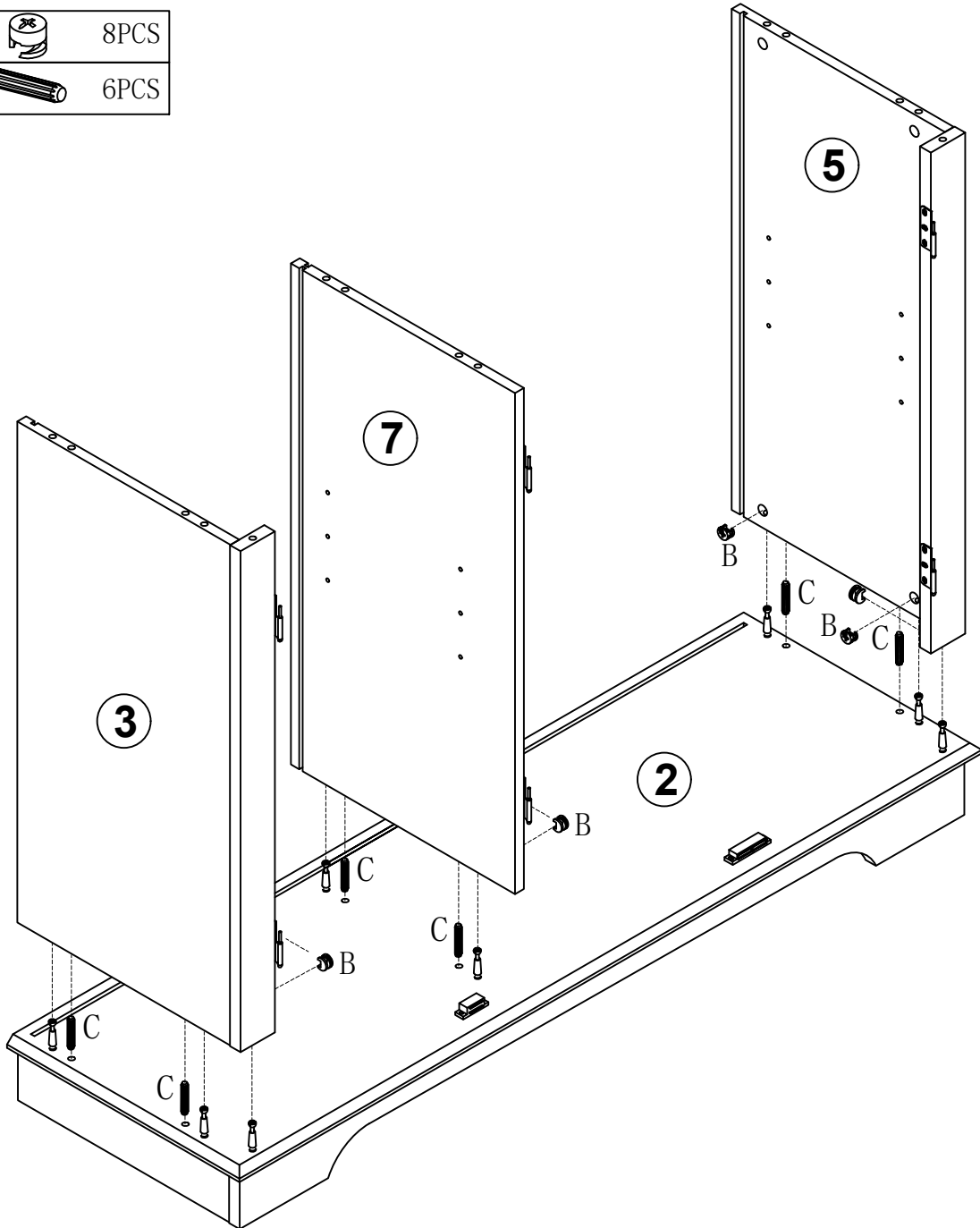
A:		6PCS
B:		6PCS
C:		4PCS



ASSEMBLY INSTRUCTION

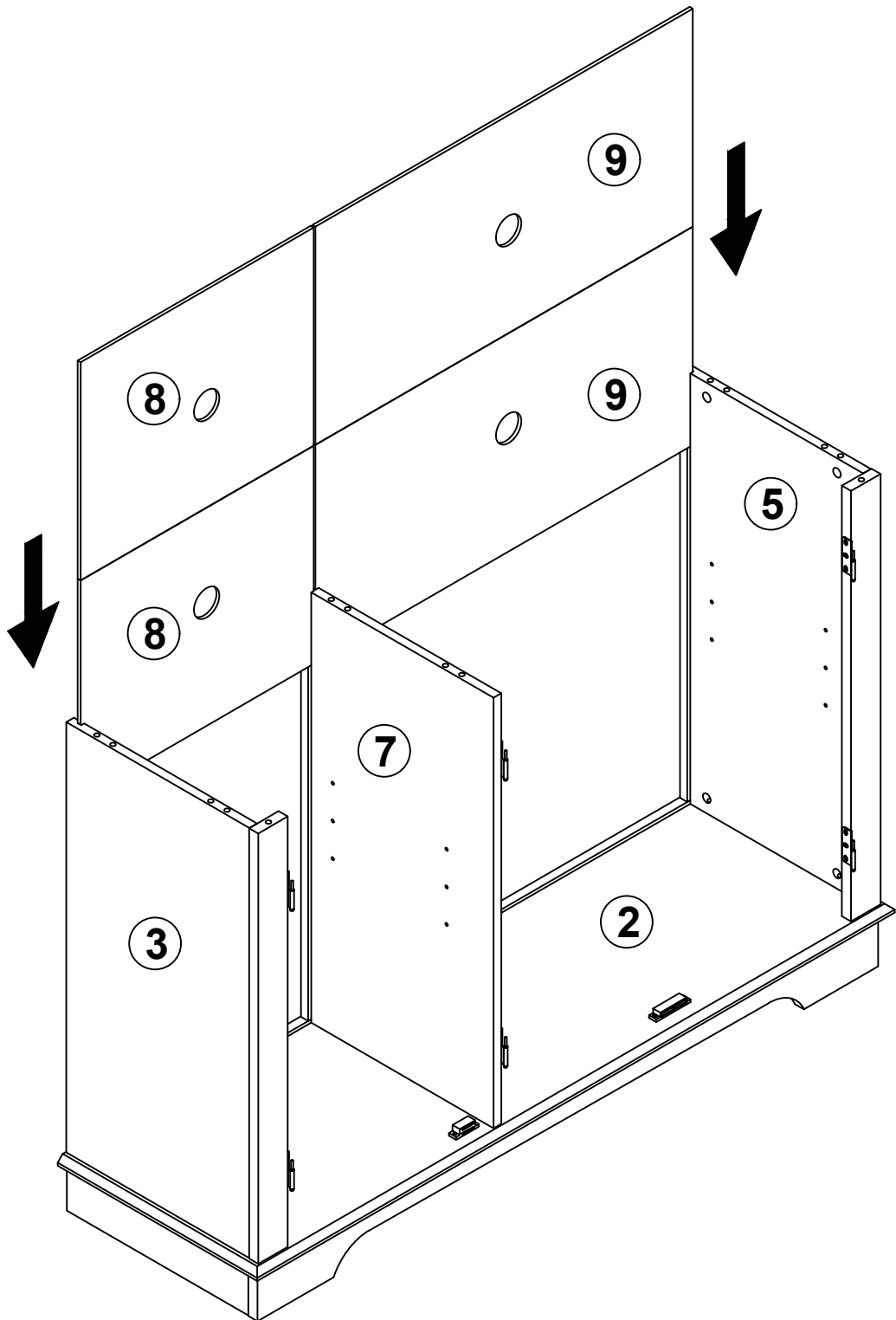
STEP 4

B:		8PCS
C:		6PCS





ASSEMBLY INSTRUCTION

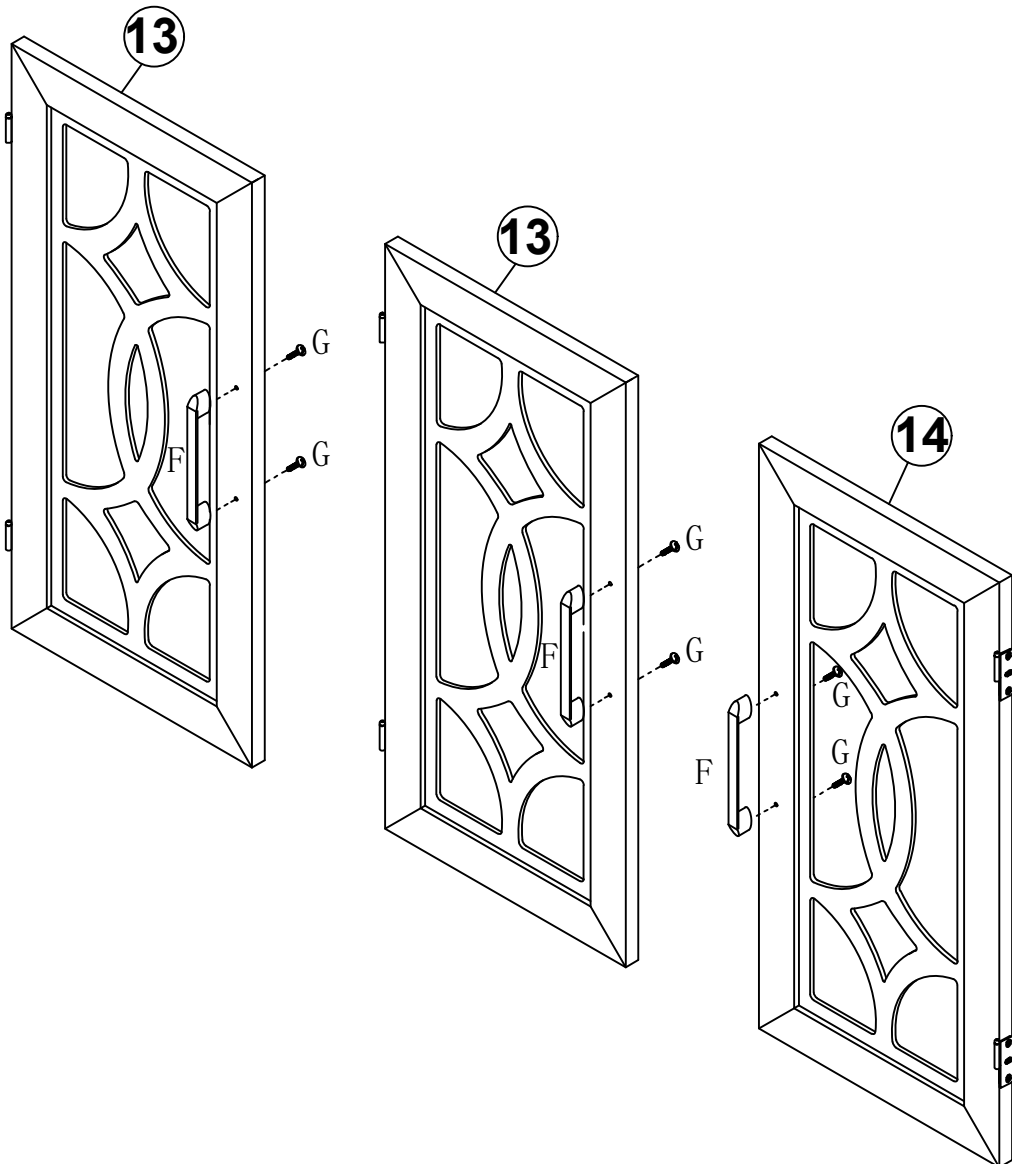
STEP 5



ASSEMBLY INSTRUCTION

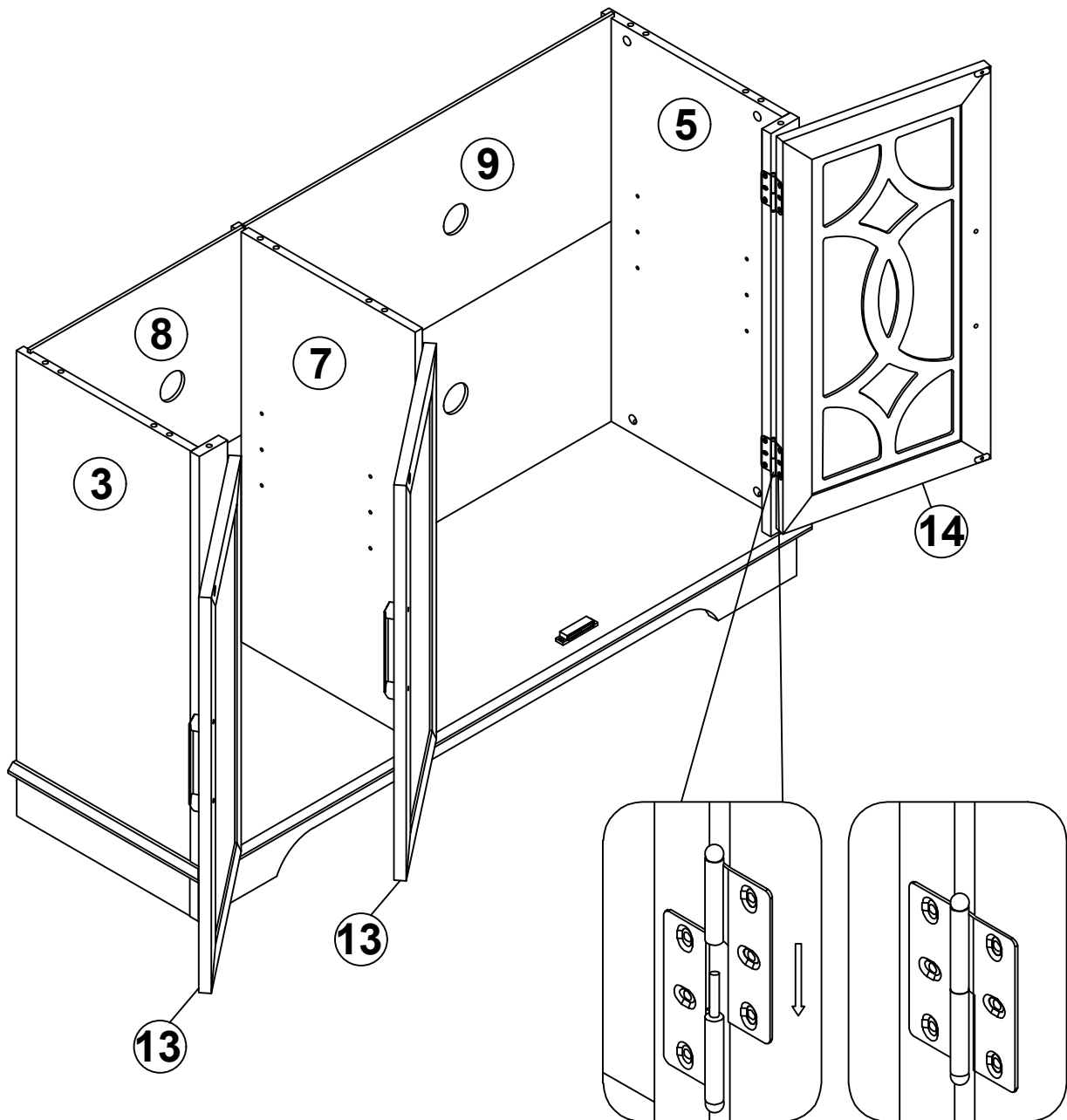
STEP 6

F:		3PCS
G:		6PCS



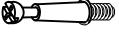



ASSEMBLY INSTRUCTION

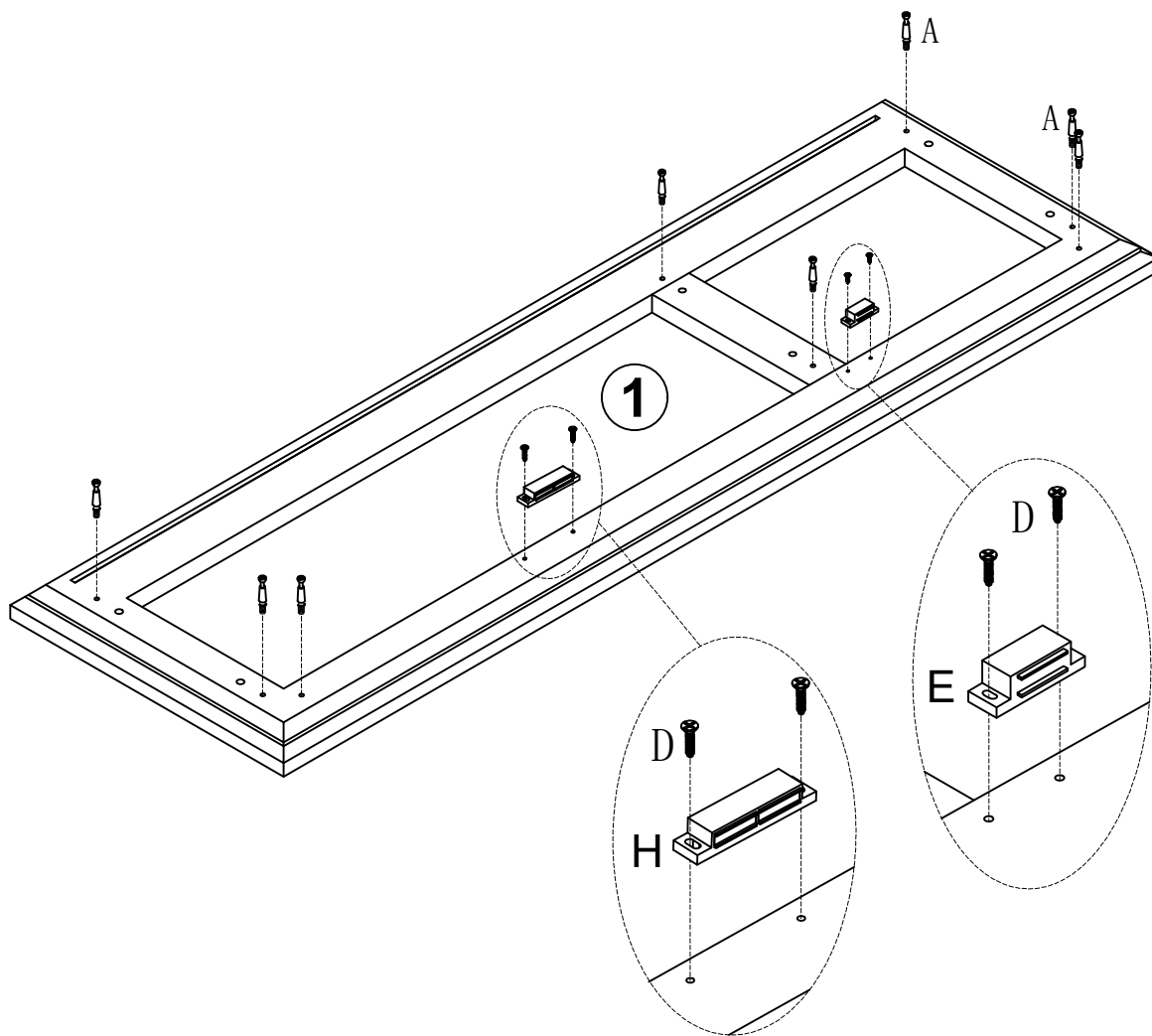
STEP 7



ASSEMBLY INSTRUCTION



STEP 8

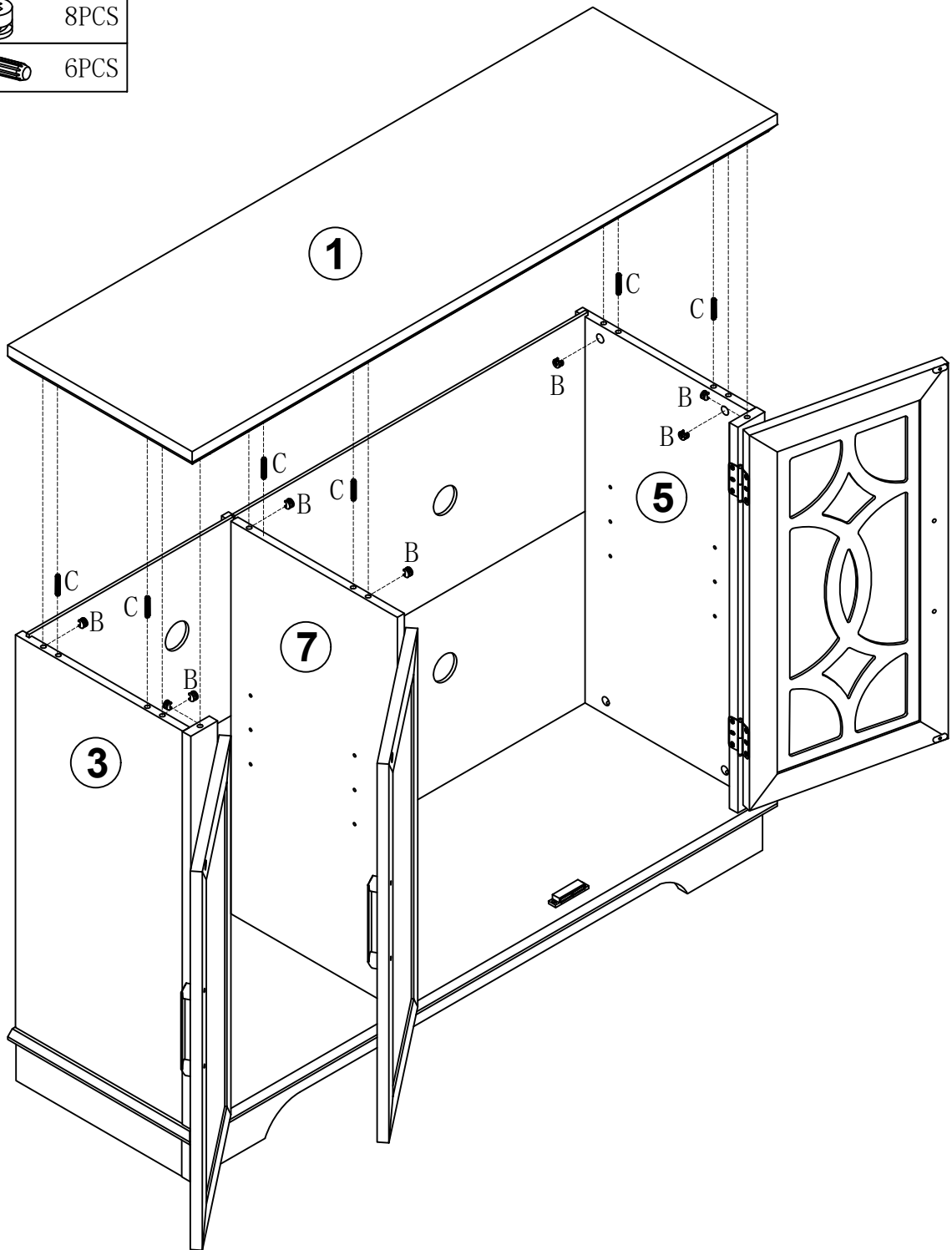
A:		8PCS
D:		4PCS
E:		1PCS
H:		1PCS



ASSEMBLY INSTRUCTION

STEP 9

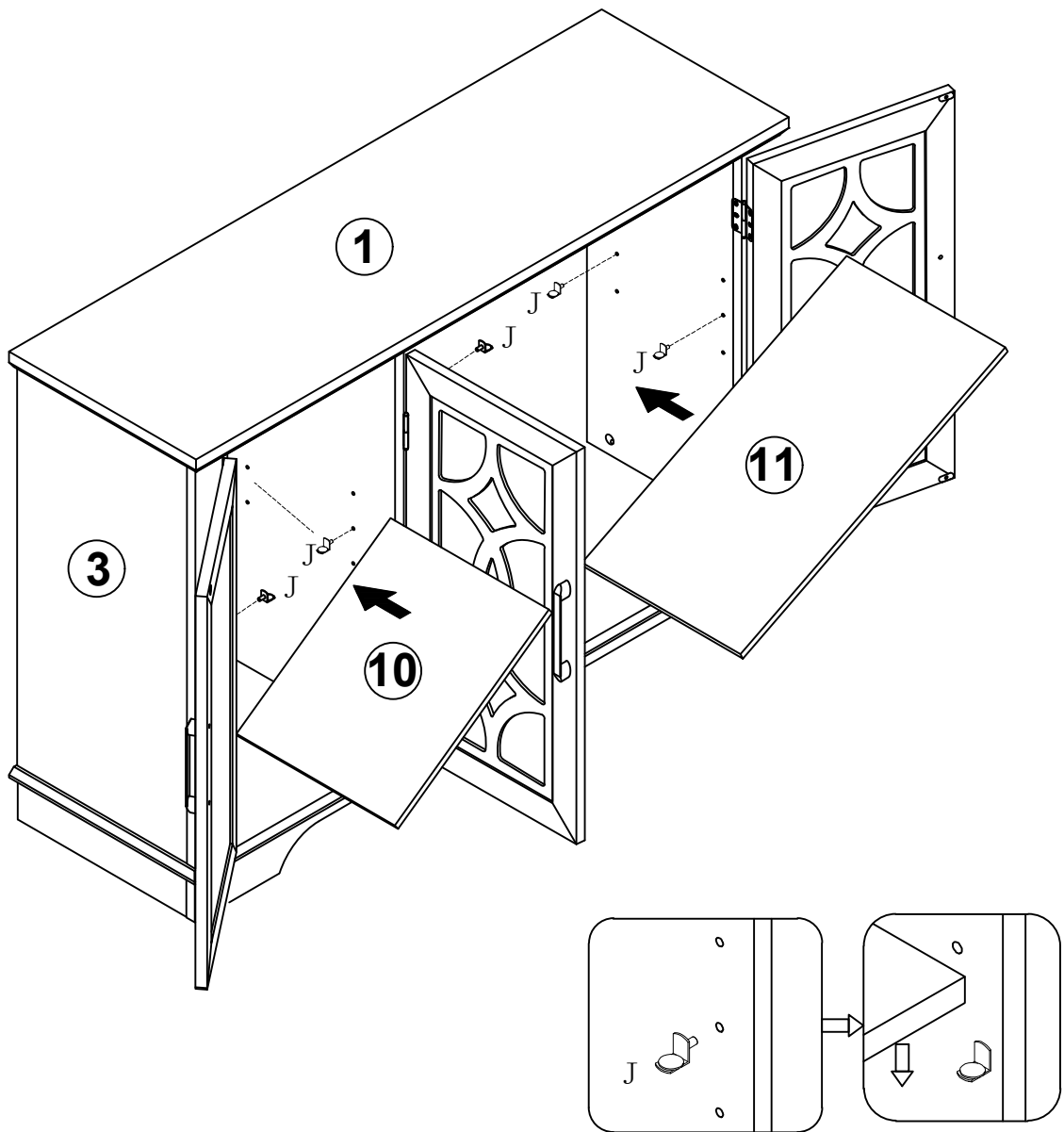
B:		8PCS
C:		6PCS



ASSEMBLY INSTRUCTION

STEP 10

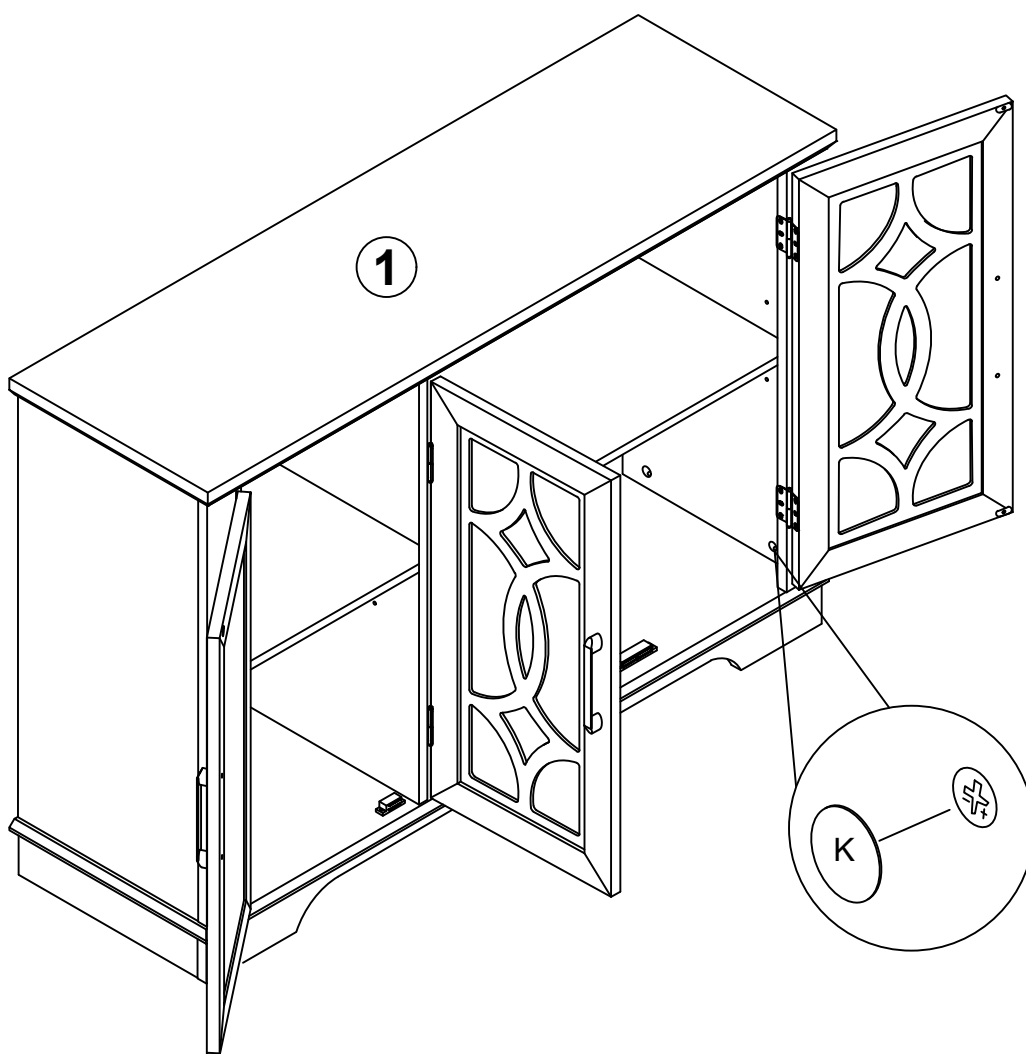
J:  8PCS



ASSEMBLY INSTRUCTION

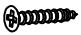

STEP 11

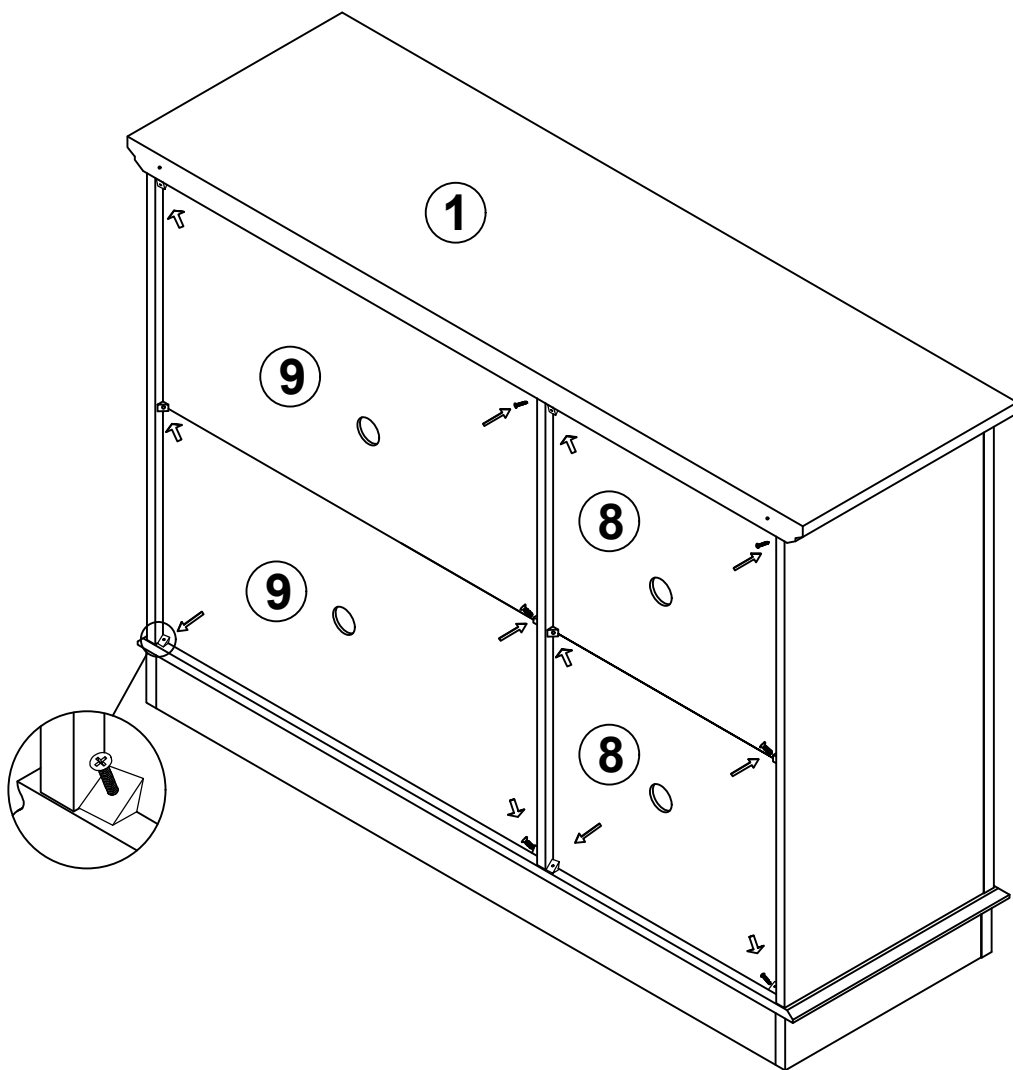
K: ○ 22PCS



ASSEMBLY INSTRUCTION

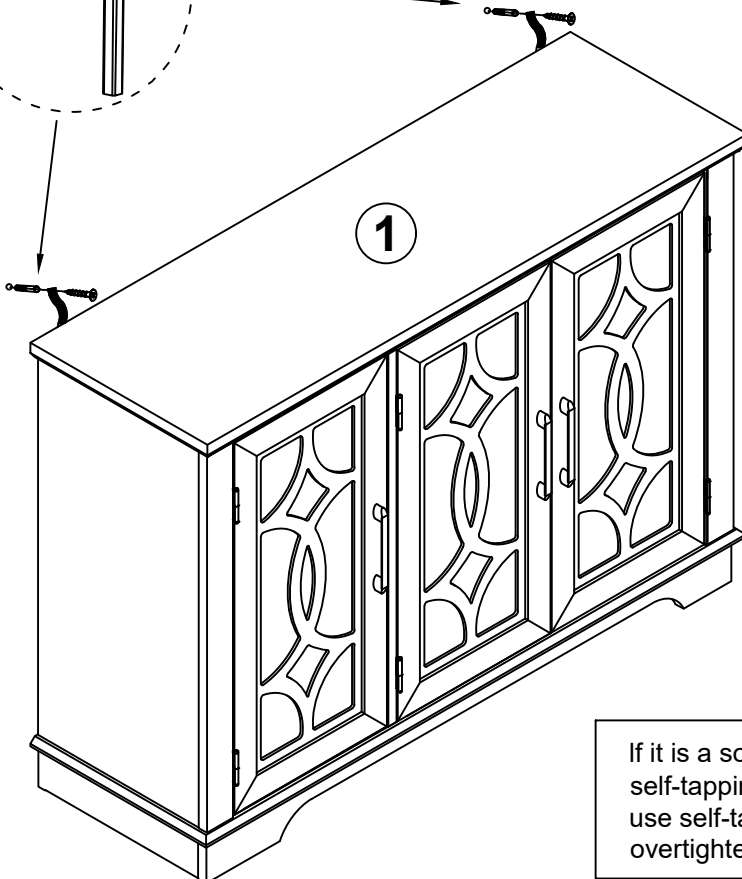
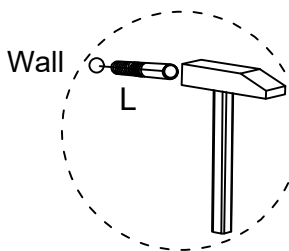
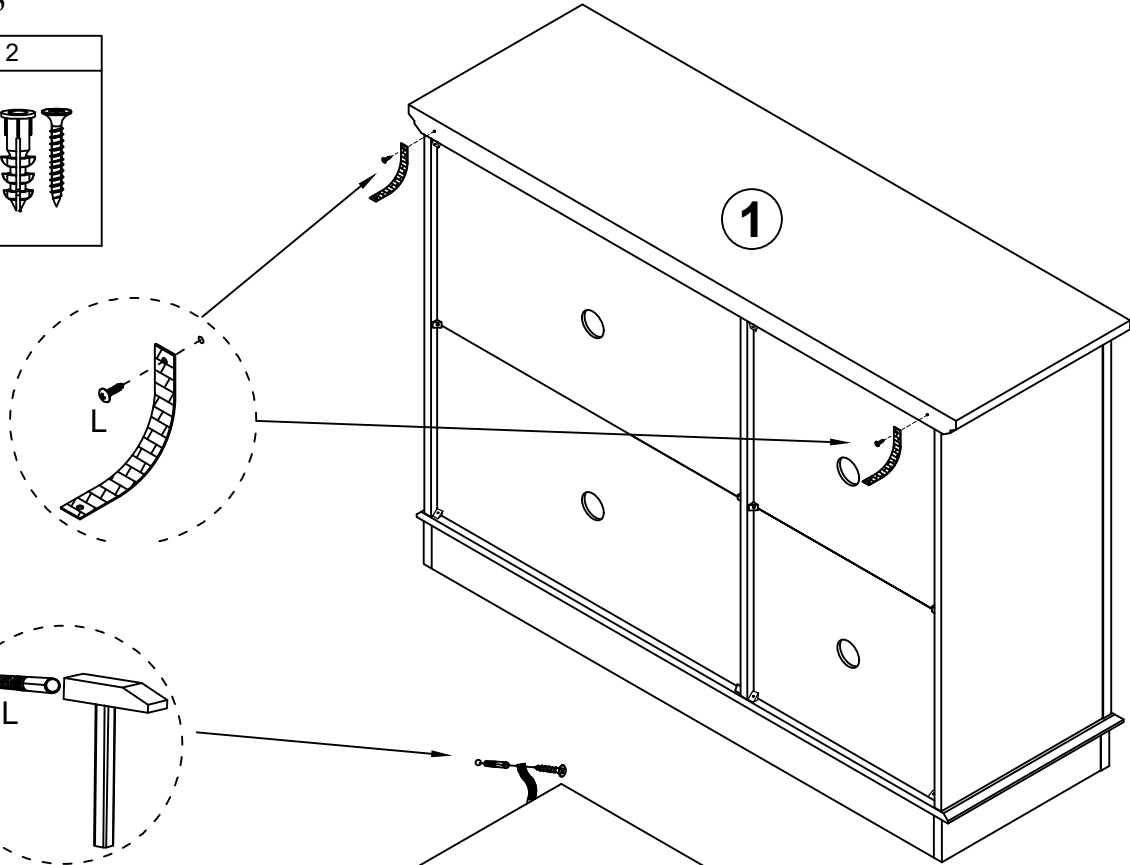
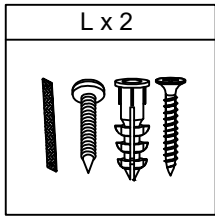
STEP 12

D:		12PCS
I:		12PCS



ASSEMBLY INSTRUCTION

STEP 13



If it is a solid wall, please use expansion and self-tappingscrews, if it is a wooden wall, only use self-tapping screws, please do not overtighten the screws