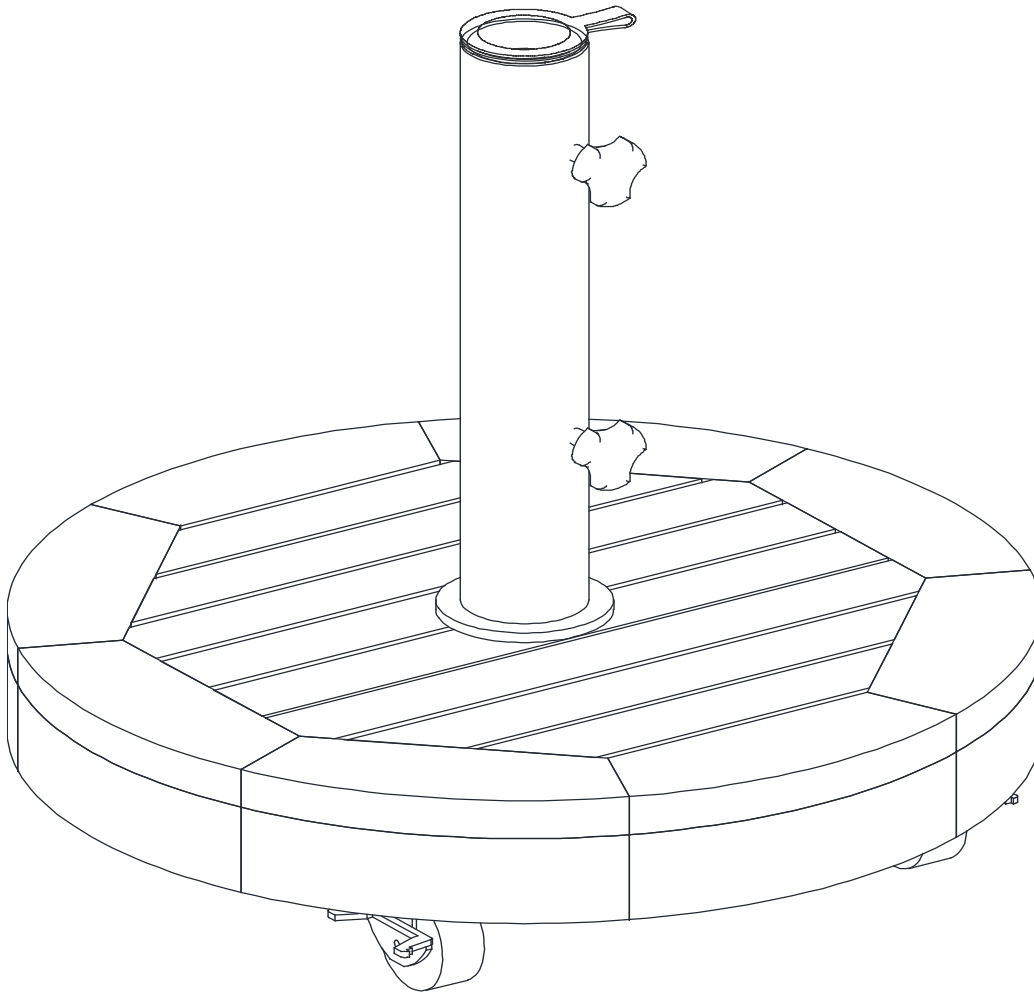


Assembly Instructions

Caution: You should read this carefully before you proceed

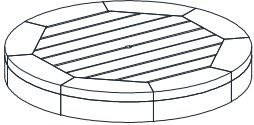
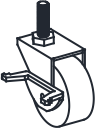

Please look in the dummy box for hardware packs.

UMBRELLA BASE





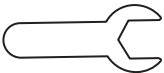


CAUTION: This Umbrella Base is NOT a TOY.
Keep your child/children at bay during the assembly process.
Whenever lifting or moving the Umbrella Base and to prevent any damage to it, two adults may be needed to execute these actions.

Part List

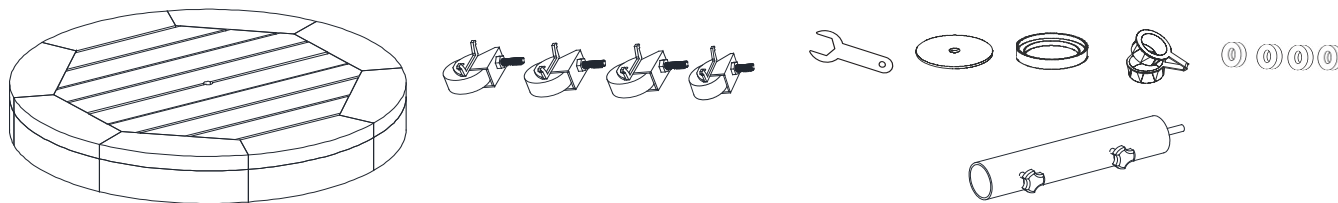
Label	Picture	Description	QTY
A		Base	1
B		Wheel	4
C		Tube	1






Hardware

Label	Picture	Description	QTY
①		Washer (80x12x2mm)	1
②		Adapter 1 (59x10mm)	1
③		Adapter 2 (53x26mm)	1
④		Washer (M8.5/20x2mm)	4
⑤		Spanner (F13)	1

Assembly Preparation

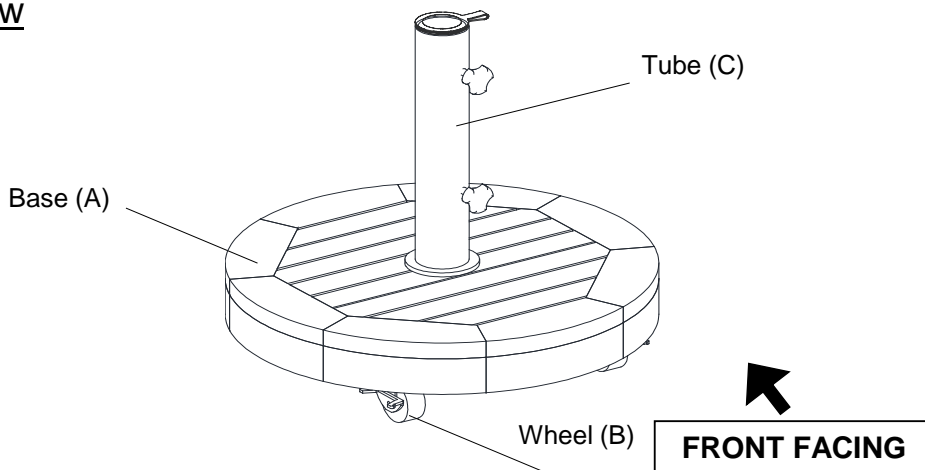
Before Beginning Assembly:



-  • Read instructions, cover to cover-
-  • Have 2 adults on hand for assembly-
-  • Do not assemble on flooring or carpet-
-  • Assemble on a clean non-marring surface (packing foam)-
-  • Save all packaging until finished-

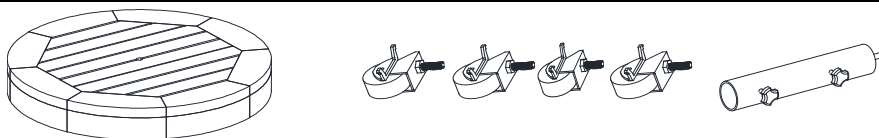
Assembly Steps

Overview



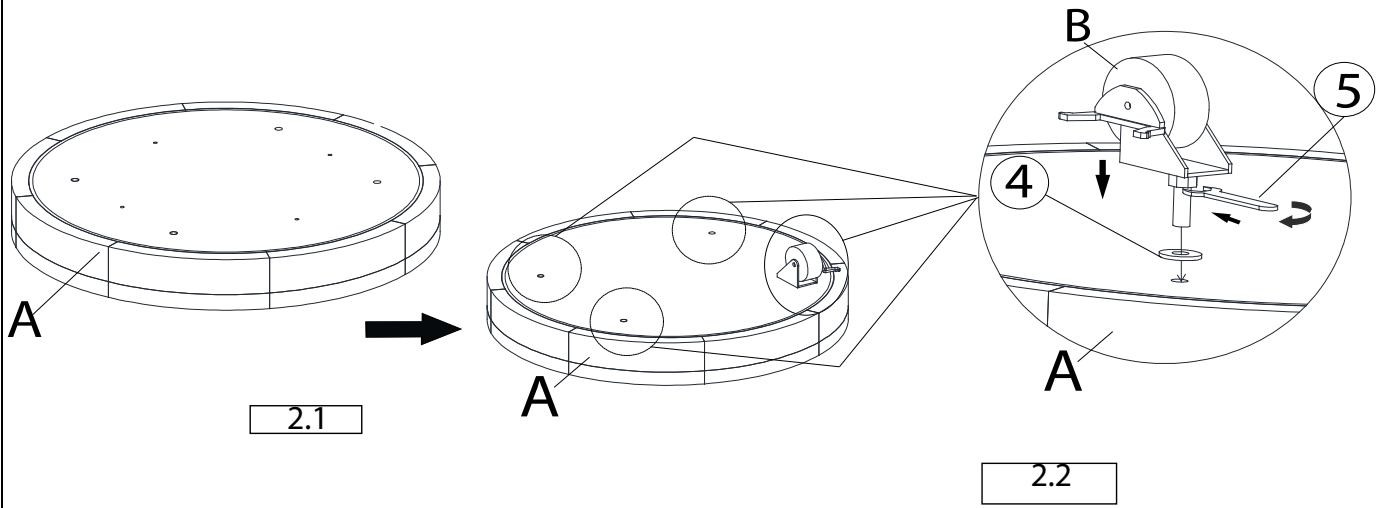
This Umbrella Base has multiple parts and may require up to 20 minutes to assemble. To give you an overview of the Umbrella Base parts, the above picture is provided to help you put the various parts into perspective. Please read through the instructions below to familiarise yourself with the parts and steps before assembly.

Step 1



Unpack and place all parts on a clean, non-marring surface.

Step 2

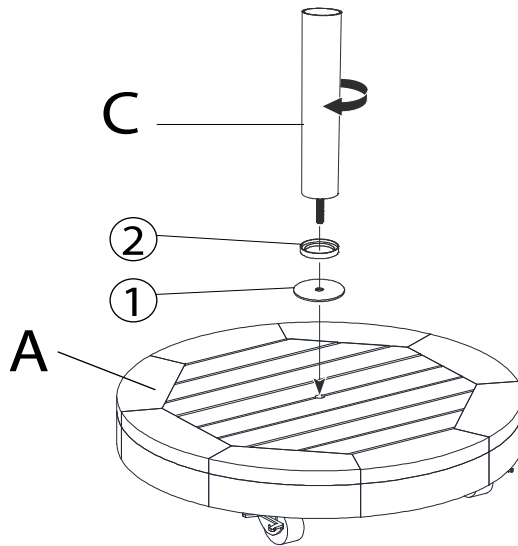


Step 2.1: With assistance from your adult partner, flip the Base (A) (bottom-side up) and place on a non-marring surface.

Step 2.2: Firstly, align Washer (④) and Wheel (B) with mounting hole on the Base (A), then fully secure clockwise the Wheel (B) into the Base (A) by using Spanner (⑤) as picture shown above.

Repeat the same process with the remaining Wheels (B)

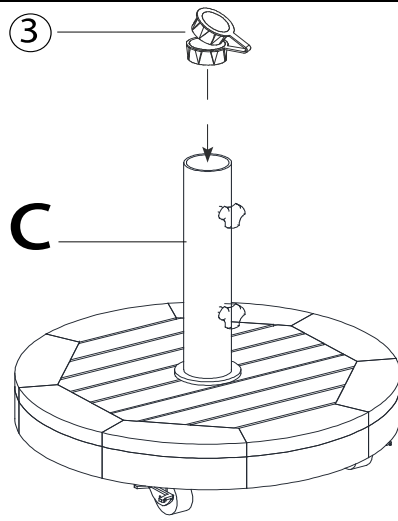
Step 3



With assistance from your adult partner, carefully turn the Base (A) upright.

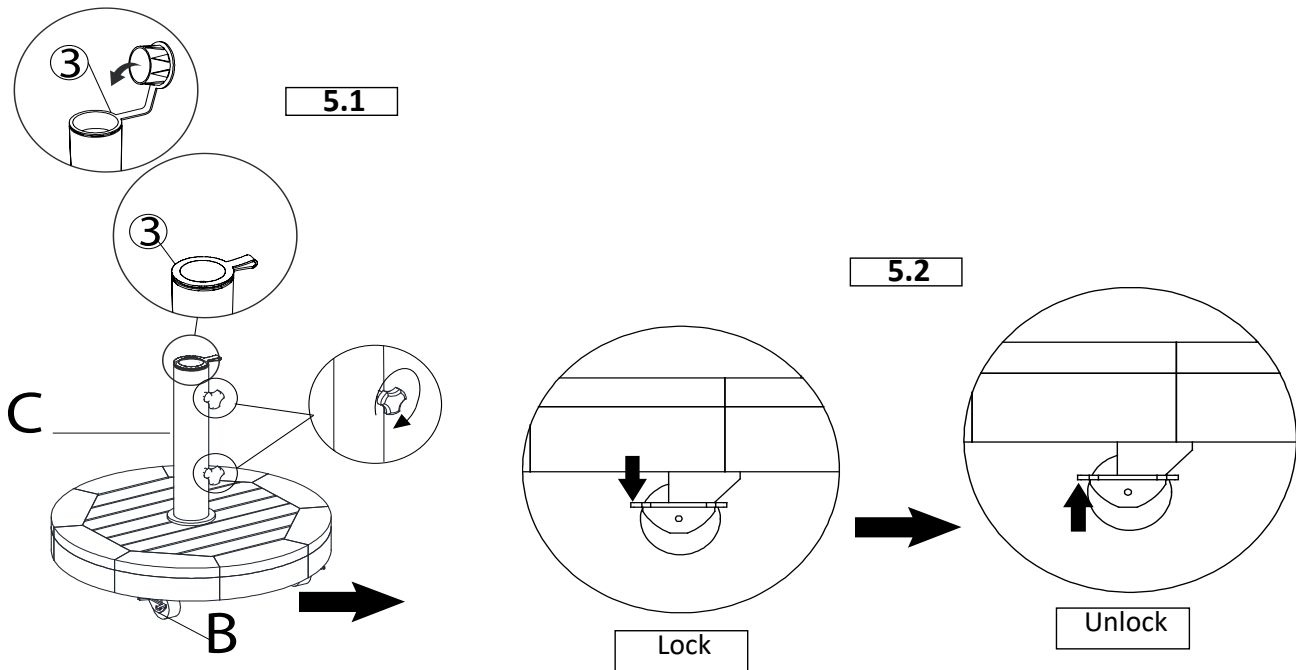
Insert the Washer (②), the Adapter 1 (②), and the Tube (C) into the Base (A) in order, then turn the Tube (C) clockwise as shown in the picture above.

Step 4



Insert the Adapter 2 (③) into the Tube (C) by using adequate force as shown in the picture above.

Step 5





















Step 5.1: Depending on the diameter of the umbrella stick which is supposed to be used with the umbrella base, open or close the lid of the Adapter 2 (③), tighten/loosen the knobs on the tube (C) to make sure the umbrella stick properly fits inside the Tube (C) as shown in the pictures above.

Step 5.2: Lock or Unlock the Wheels (B) in order to affix the umbrella base in place or move it around as shown in the pictures above.

Inspect the Umbrella Base and make sure all parts are adequately connected.

WARNING!! IF THE Umbrella Base IS NOT STABLE , IT COULD LEAD TO DAMAGING THE PRODUCT.

Care & Maintenance

-   ● Do not put hot items directly on furniture surface
 -   ● Do not clean furniture with harsh cleansers or polish.
 -   ● To obtain the longest lifespan of your outdoor products, minimizing exposure to direct sunlight is recommended.
 -   ● Children should not climb or jump on the furniture.
 -   ● Do not write on furniture without a padded barrier to protect the surface.
 -   ● To obtain the longest lifespan of your outdoor products, avoid extended and lengthy exposure to rain, snow, and direct sunshine. Whenever possible cover the product and /or place under patio or awnings.
 -   ● Not for commercial use. For residential use only .
 -   ● Stains may be removed with mild soap solution and damp cloth.
-
-   ● Dust and pick-up spills using a clean, non-colored, lint-free cloth .

Questions & Answers about Proposition 65

• What is Proposition 65?

Proposition 65 requires businesses to provide warnings to Californians about significant exposures to chemicals that cause cancer, birth defects or other reproductive harm. These chemicals can be in the products that Californians purchase, in their homes or workplaces, or that are released into the environment. By requiring that this information be provided, Proposition 65 enables Californians to make informed decisions about their exposures to these chemicals.

Proposition 65 also prohibits California businesses from knowingly discharging significant amounts of listed chemicals into sources of drinking water.

Proposition 65 requires California to publish a list of chemicals known to cause cancer, birth defects or other reproductive harm. This list, which must be updated at least once a year, has grown to include approximately 900 chemicals since it was first published in 1987.

• What types of chemicals are on the Proposition 65 list?

The list contains a wide range of naturally occurring and synthetic chemicals that include additives or ingredients in pesticides, common household products, food, drugs, dyes, or solvents. Listed chemicals may also be used in manufacturing and construction, or they may be byproducts of chemical processes, such as motor vehicle exhaust.

• What does a warning mean?

If a warning is placed on a product label or posted or distributed at a workplace, a business, or in rental housing, the business issuing the warning is aware or believes that it is exposing individuals to one or more listed chemicals.

By law, a warning must be given for listed chemicals unless the exposure is low enough to pose no significant risk of cancer or is significantly below levels observed to cause birth defects or other reproductive harm.

• .