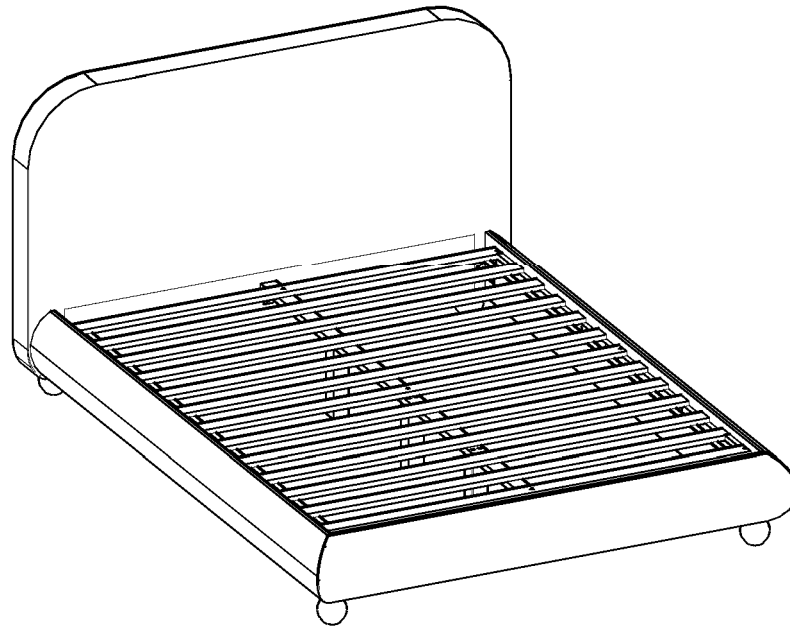








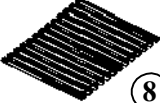


# ASSEMBLY INSTRUCTIONS





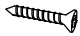
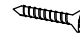


MODEL : BD758-FS



## COMPONENT

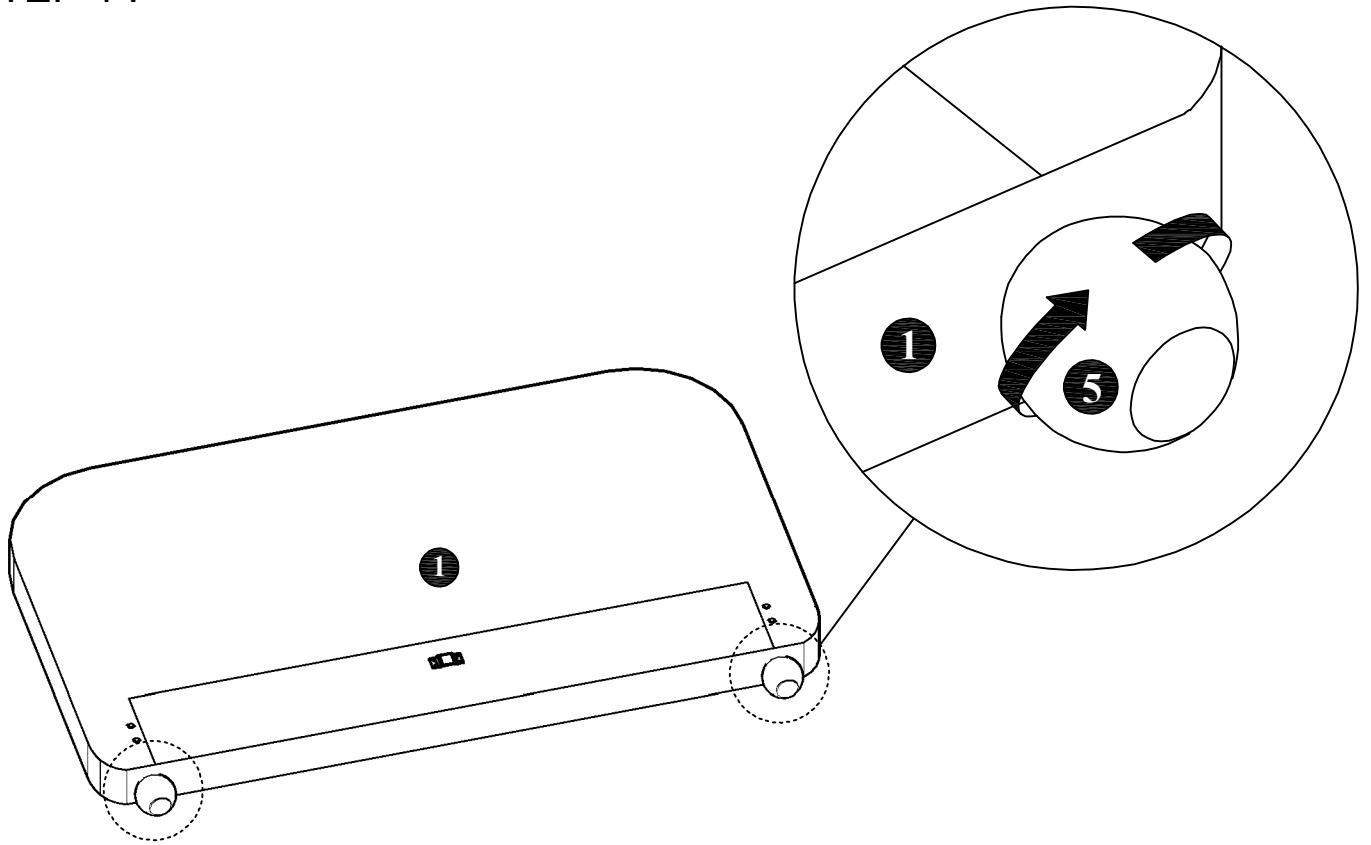
Headboard - 1 pc.  ①	Footboard - 1 pc.  ②	Side Rail (Left) - 1 pc.  ③L	Side Rail (Right) - 1 pc.  ③R	Metal Plate - 2 pcs.  ④	Bed Leg - 4 pcs.  ⑤	Center Rail - 1 pc.  ⑥	Center Leg - 3 pcs.  ⑦
Slats - 13 pcs.(1set)  ⑧							

## HARDWARE

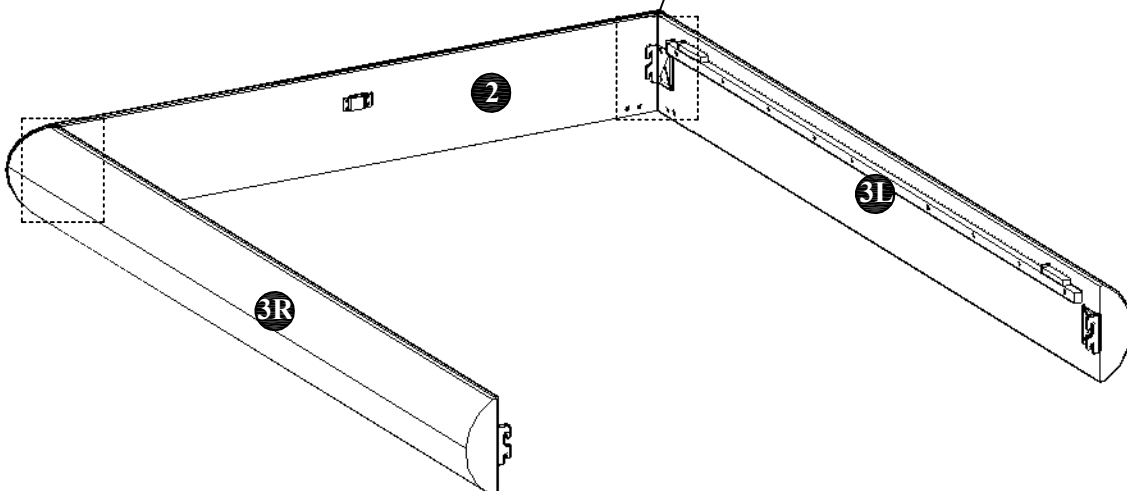
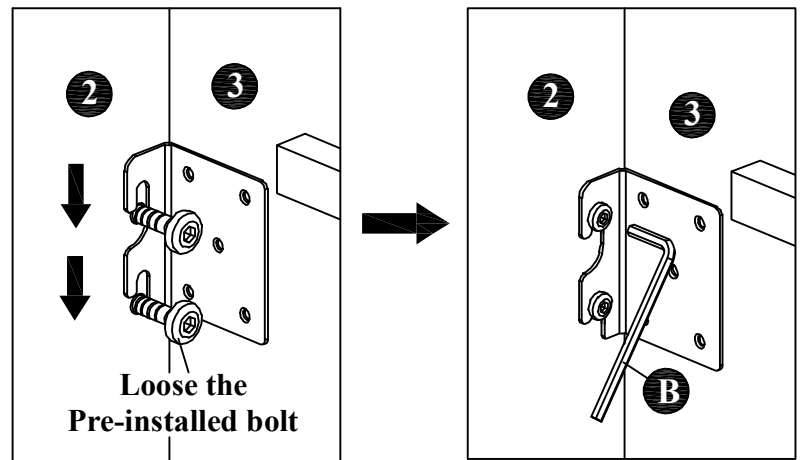
Allen Key M4 - 1 pc.  ①A	Allen Key M5 - 1 pc.  ①B	JCBC Bolt M6 x 20mm (Black) - 8 pcs.  ①C	JCBC Bolt M6 x 40mm - 6 pcs.  ①D	Wood Screw M4 x 20mm - 2 pcs.  ①E	Wood Screw M4 x 25mm - 9 pcs.  ①F	M8 Hex Nut (Black)- 2 pcs.  ①G	Spanner (12.8mm) - 1 pc.  ①H
--	---	--	--	---	---	---	---

# ASSEMBLY INSTRUCTIONS

STEP 1 :

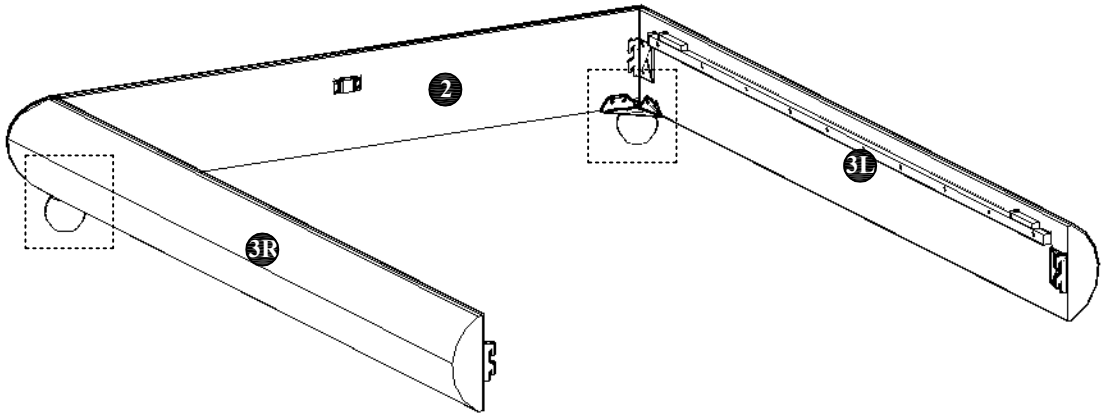
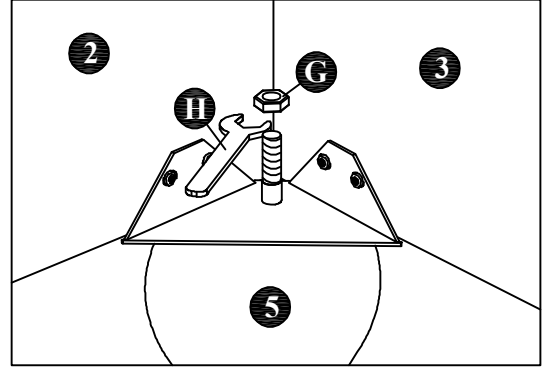
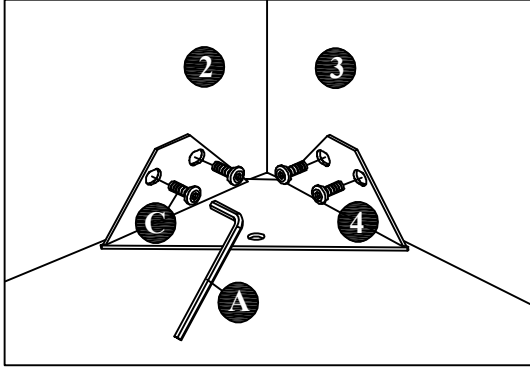


STEP 2 :

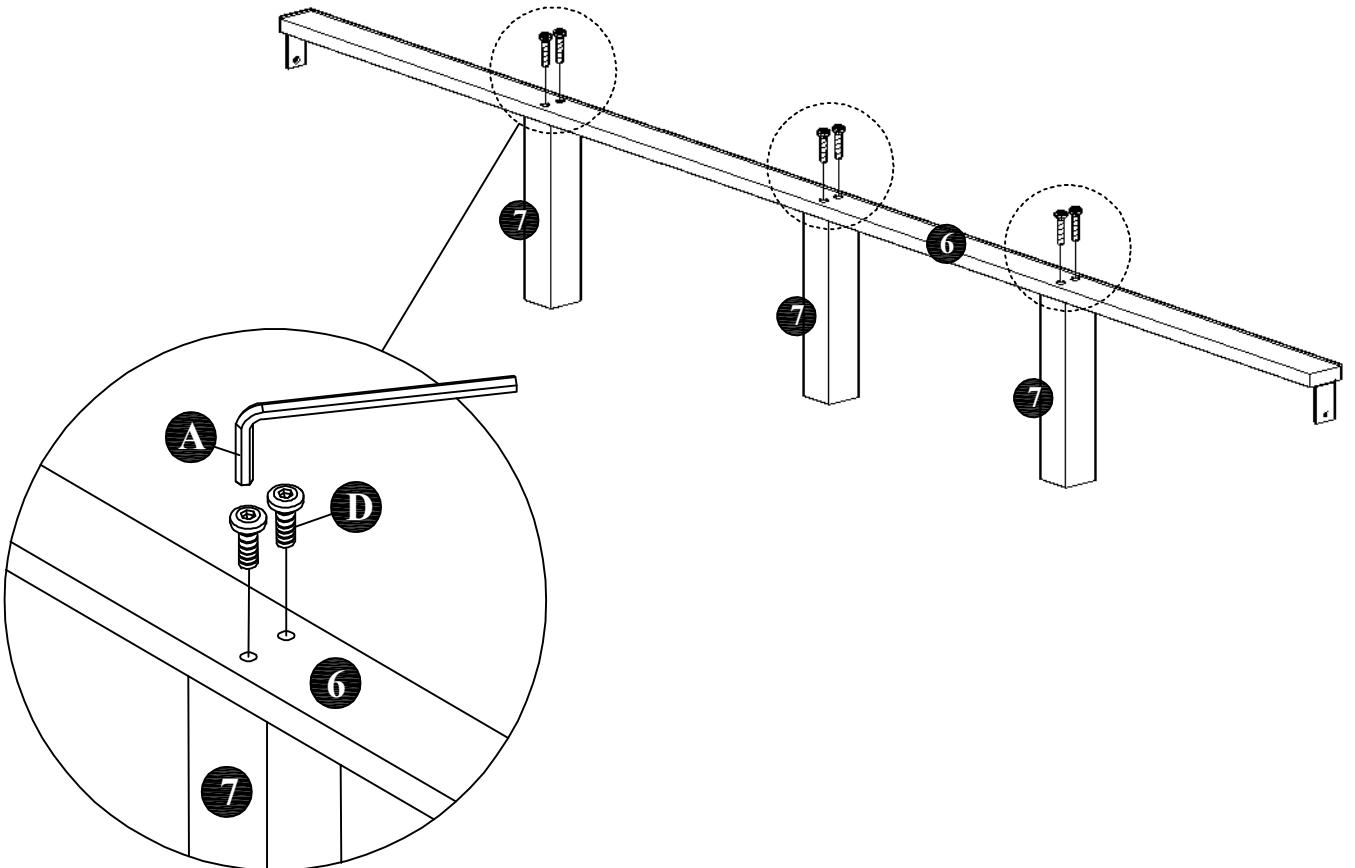


# ASSEMBLY INSTRUCTIONS

STEP 3 :

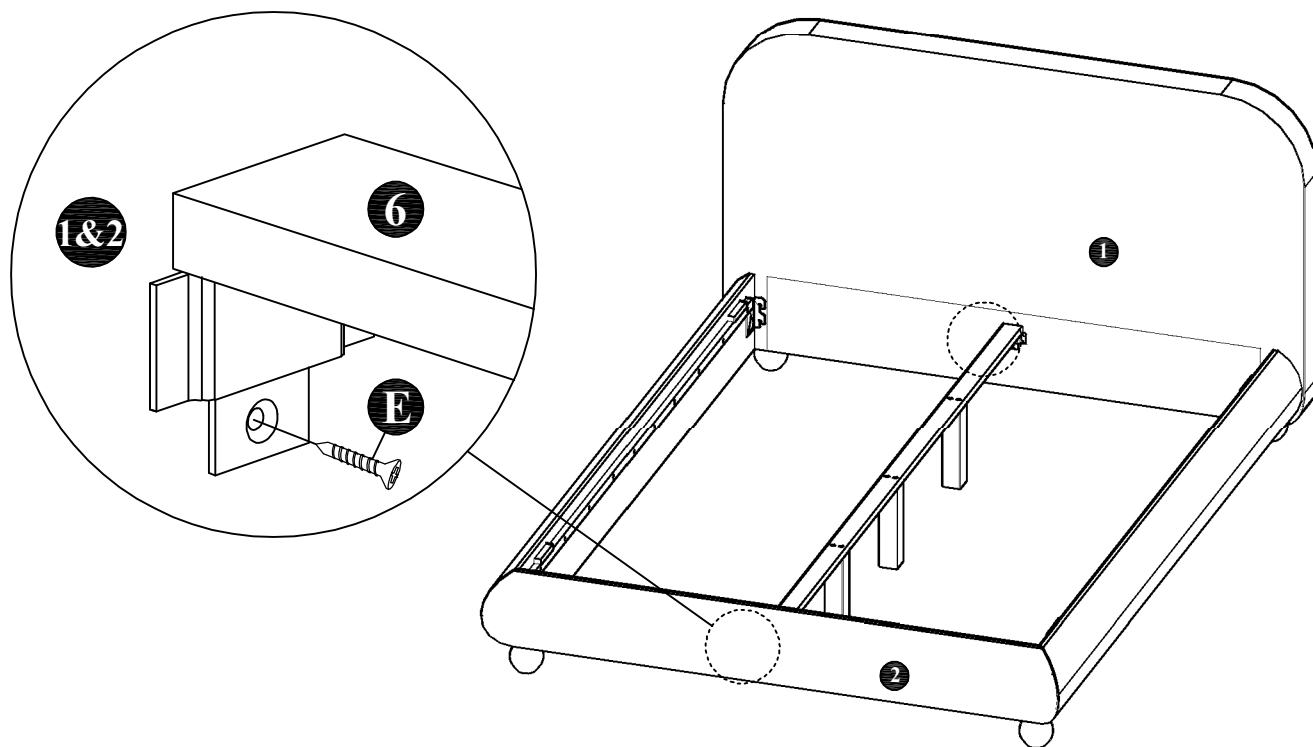


STEP 4 :

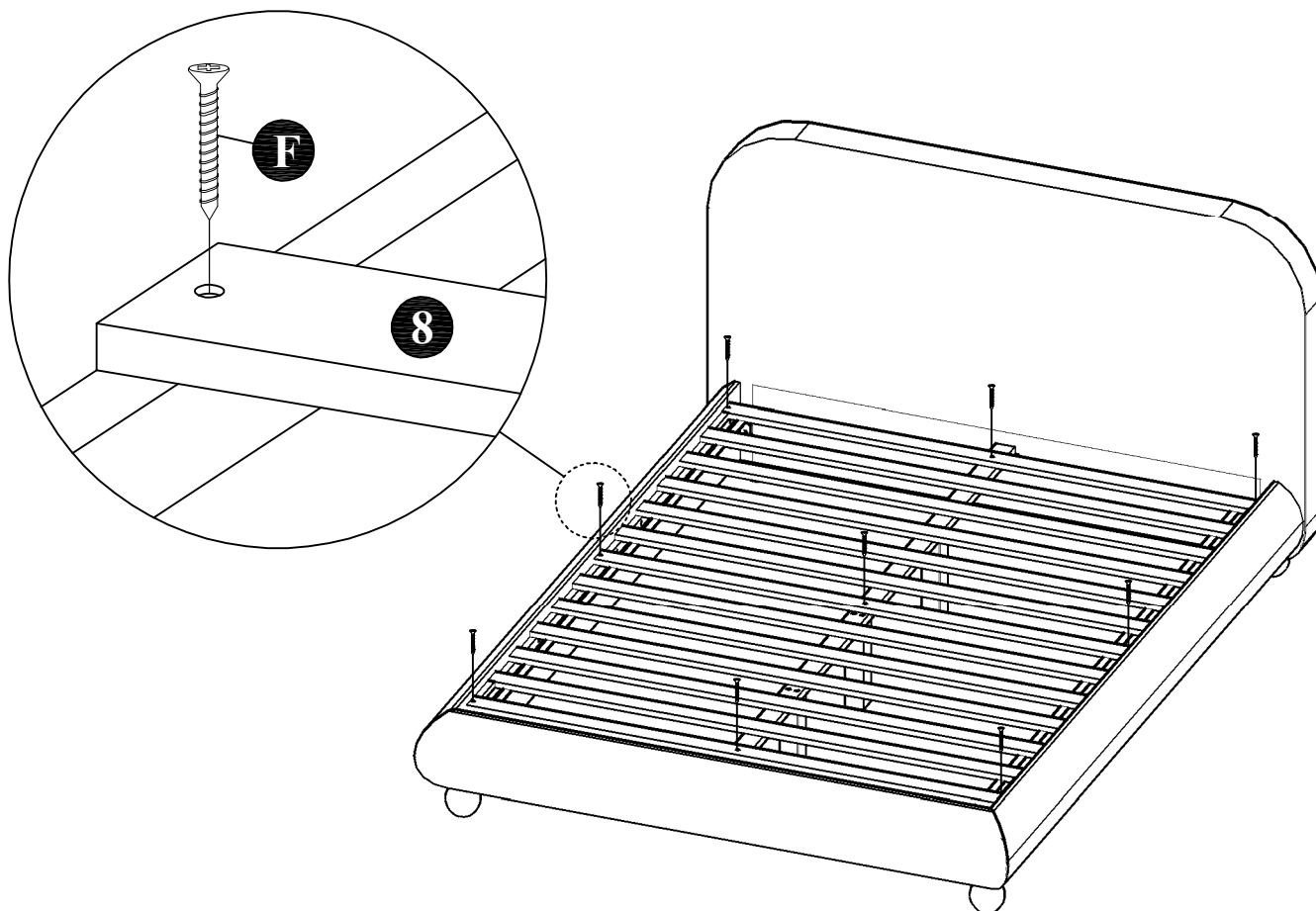


# ASSEMBLY INSTRUCTIONS

STEP 5 :



STEP 6 :



# ASSEMBLY INSTRUCTIONS

## **COMPLETE VIEW**

**\*IMPORTANT\***

Please lift up the bed to move  
with 2 or more people.

**DO NOT DRAG THE BED!**

