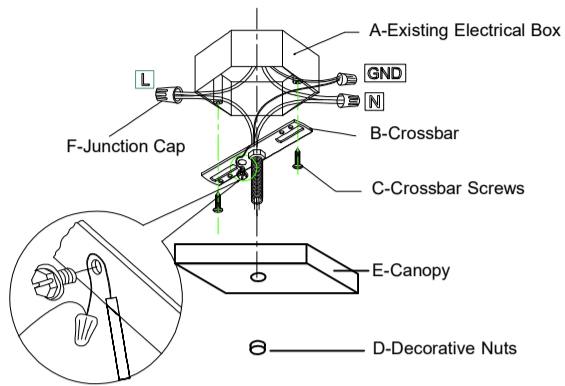


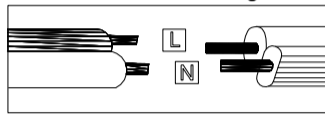
MOUNTING AND WIRING

WARNING:

Improper installation may cause electrical shock, fire, or equipment damage. The person performing the installation must be familiar with the construction and operation of the product and associated hazards



Wire Connection Diagram:



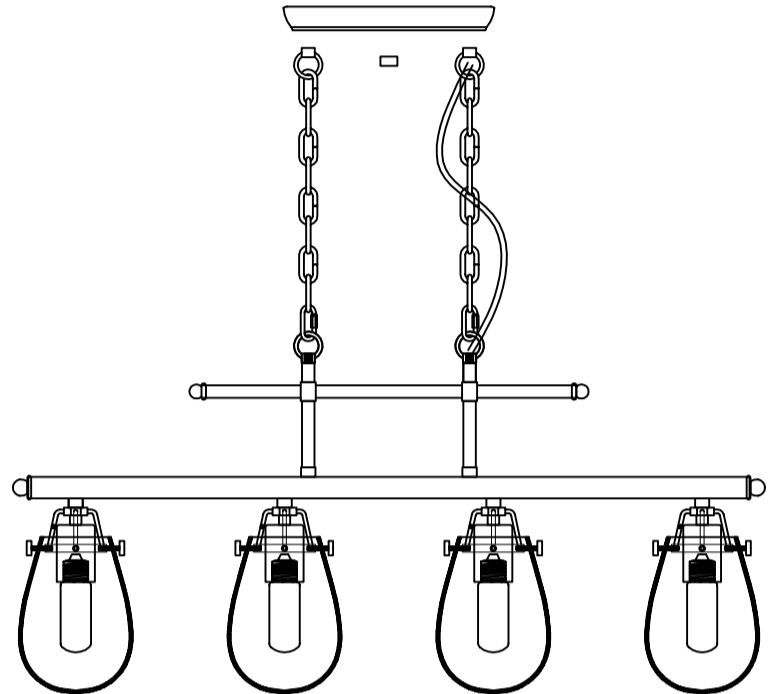
Please proceed in an alphabetical order:

- Attach the Crossbar(B) to the existing electrical box(A) using the two crossbar screws(C), which are not supplied and should already be in your electrical box.
- Slide the canopy loop nut lock(F) back up over the canopy loop(D), pass the canopy loop(D) through canopy(E), connect with the threaded pipe underside of the crossbar.
- Pass the main wire(J) and ground wire(H) through the loop(I), the chain(G), the canopy loop nut lock(F), the canopy(E), the canopy loop(D) and the crossbar(B) until the end of the main wire(J) reaches the electrical box(A) where you can make the appropriate connections. Be sure when connecting the wire use electrician approved junction caps(K). Stow the excess wire in the electrical box(A). Raise the canopy(E) and canopy loop nut lock(F), attach canopy(E) to ceiling, slide canopy loop nut lock(F) over canopy loop(D) and hold the canopy(E).

INSTALLATION INSTRUCTIONS

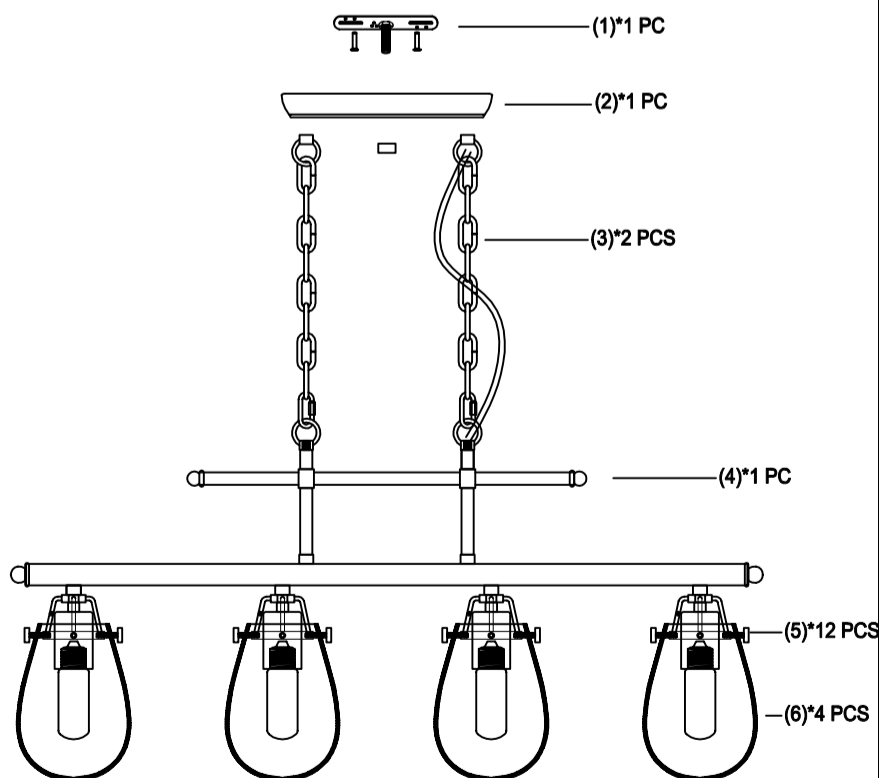
IMPORTANT SAFETY INSTRUCTIONS:

- Please read through all the instructions carefully and completely before beginning assembly and installation
- This product must be installed in accordance with installation instructions and all safety and building codes. It is strongly suggested that all direct wired fixtures be installed by a licensed electrician
- Be sure the electricity to the wires you are working on is shut off; either the fuse is removed or the circuit breaker is turned off. Turning the power off using the light switch is not sufficient to prevent electrical shock



PART LIST AND ASSEMBLY ILLUSTRATION

Note : Some parts may be pre-installed or pre-assembled.



ASSEMBLING, INSTALLATION, AND MOUNTING

