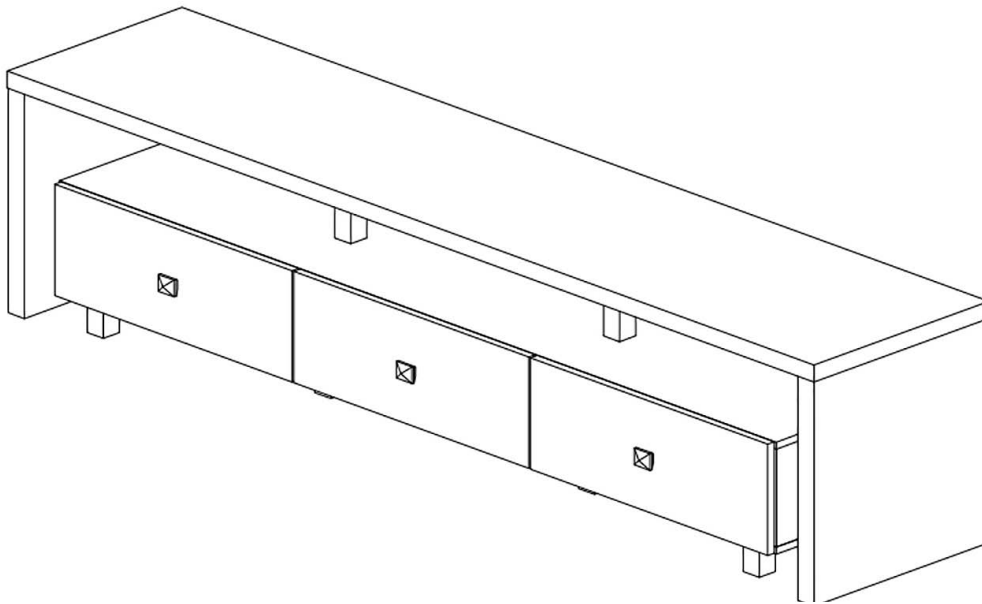


ASSEMBLY INSTRUCTIONS

Thank you for purchasing one of our products.

Please read carefully the assembly instructions before the installation.

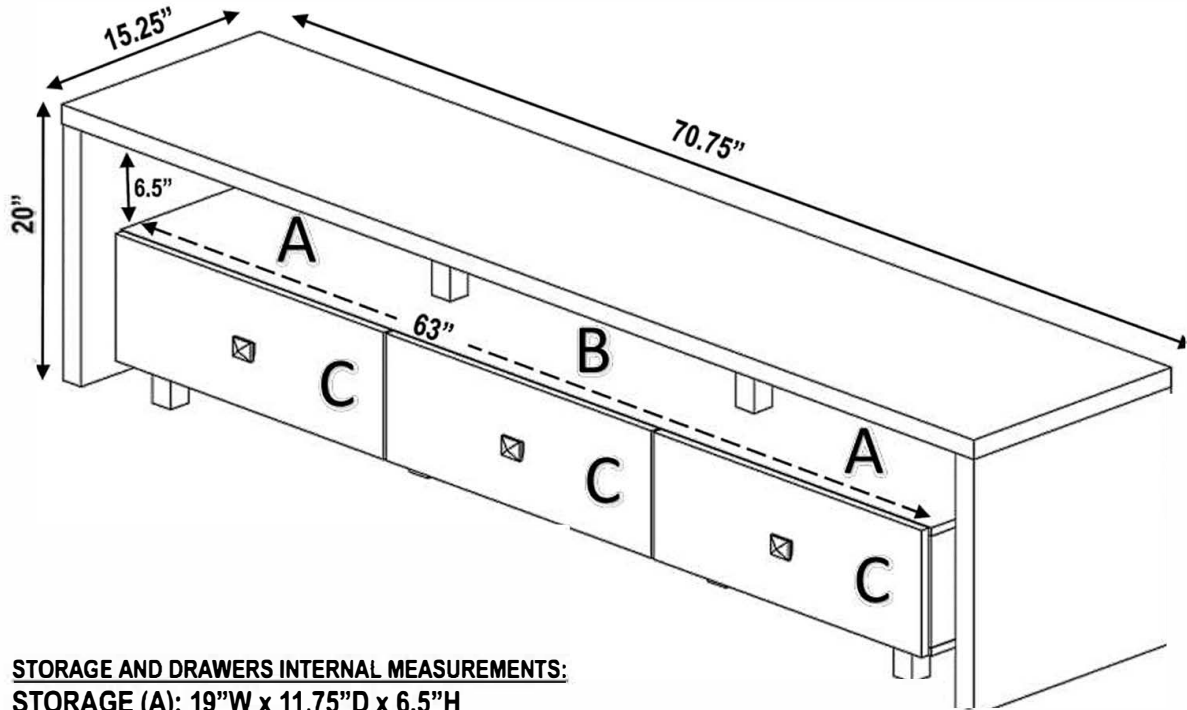
Do not discard this manual or any of the packaging material until the unit has been completely assembled.



PRODUCT DIMENSIONS

GENERAL DIMENSIONS:

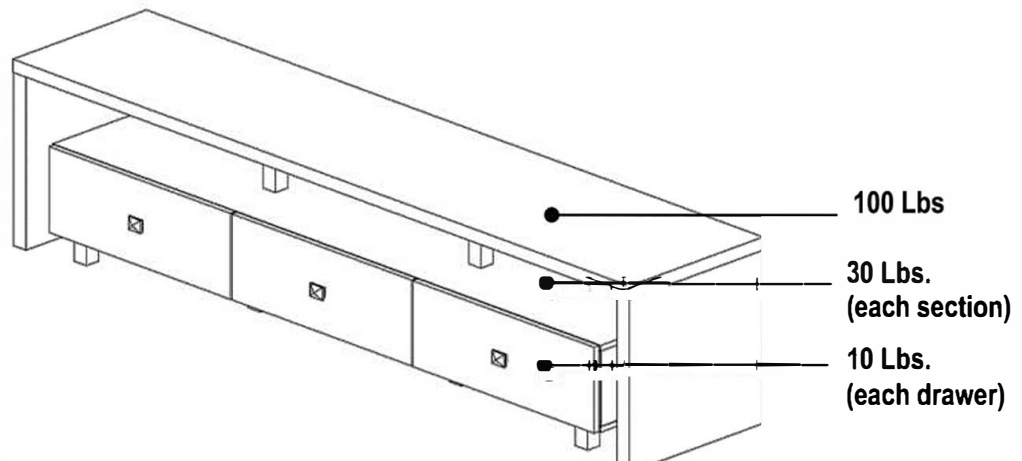
WIDTH: 70.75"
 DEPTH: 15.25"
 HEIGHT: 20"
 NET WEIGHT: 93 Lbs.
 SHIPS IN 1 BOX.



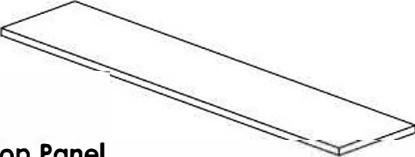
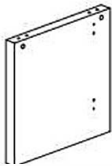
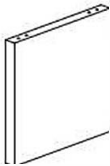
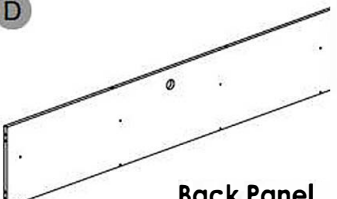

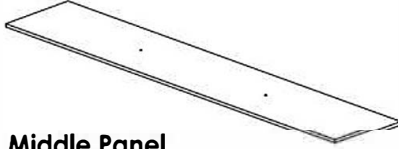
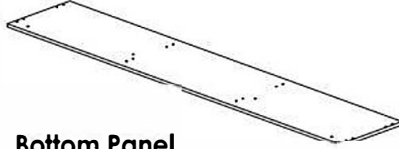

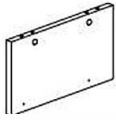
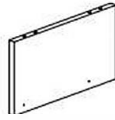






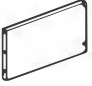
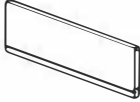

STORAGE AND DRAWERS INTERNAL MEASUREMENTS:

STORAGE (A): 19"W x 11.75"D x 6.5"H
 STORAGE (B): 22"W x 11.75"D x 6.5"H
 DRAWERS (C): 18"W x 10.25"D x 7.5"H









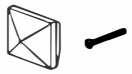

MAXIMUM WEIGHT CAPACITIES
 (DO NOT EXCEED THESE LIMITS)



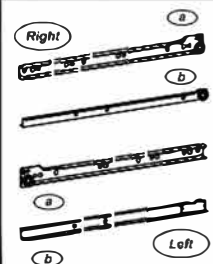
-PARTS LIST

<p>A</p>  <p>Top Panel</p>	<p>B</p>  <p>Exterior Left Panel</p>	<p>C</p>  <p>Exterior Right Panel</p>	<p>D</p>  <p>Back Panel</p>		
<p>E</p>  <p>Support Beam</p>	<p>F</p>  <p>Middle Panel</p>	<p>G</p>  <p>Bottom Panel</p>	<p>H</p>  <p>Cabinet Left Panel</p>		
<p>I</p>  <p>Middle Left Panel</p>	<p>J</p>  <p>Middle Right Panel</p>	<p>K</p>  <p>Cabinet Right Panel</p>	<p>L</p>  <p>Wooden Feet x 4</p>	<p>M</p>  <p>Left Drawer Front Panel</p>	<p>N</p>  <p>Middle Drawer Front Panel</p>
<p>O</p>  <p>Right Drawer Front Panel</p>	<p>P</p>  <p>Drawer Left Panel x3</p>	<p>Q</p>  <p>Drawer Right Panel x3</p>	<p>R</p>  <p>Drawer Back Panel x 3</p>	<p>S</p>  <p>Drawer Bottom Panel x 3</p>	

HARDWARE BOX #1 :

PART	QTY.	ITEM	
1	36Pcs	Wooden Pin	
2	26Sets	Cam Lock / Bolt Set	
3	12Pcs	Screw - M3.5 x 15mm	
4	20Pcs	Screw - M4x38 mm	
5	8Pcs	Screw - M5x38 mm	
6	6Pcs	Screw - M6 x 30mm	
7	8Pcs	Plastic Feet	
8	1Pc	L - Wrench	
9	3Sets	Handle Set	
10	12Pcs	M5x8mm Screw (Euro Screw)	

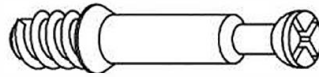
HARDWARE BOX #2 :

PART	QTY.	ITEM	
11	3Sets	Drawer Metal Sliders Set	 <p>Right (a)</p> <p>(b)</p> <p>(a)</p> <p>(b) Left</p>

HOW TO ASSEMBLE PARTS USING CAM BOLTS AND CAM LOCKS.

► This is not an assembly step; it is a guide for when you are actually doing the assembly using this kind of hardware.

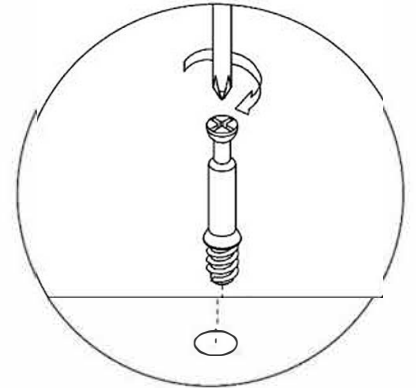
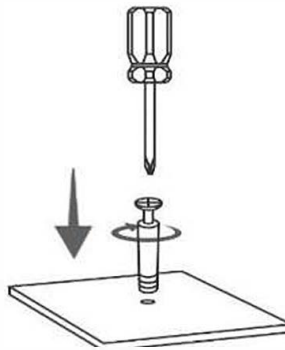
Cam Bolt



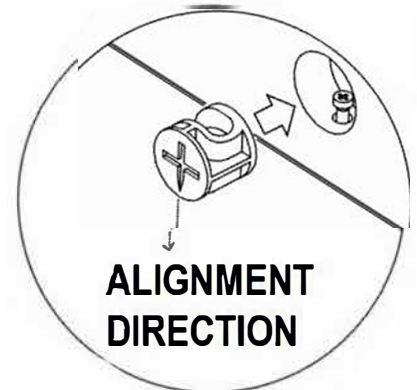
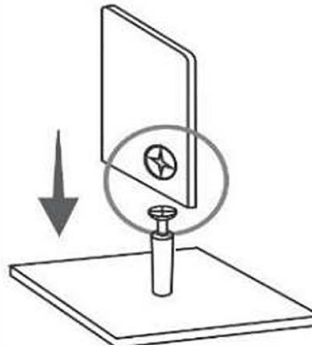
Cam Lock



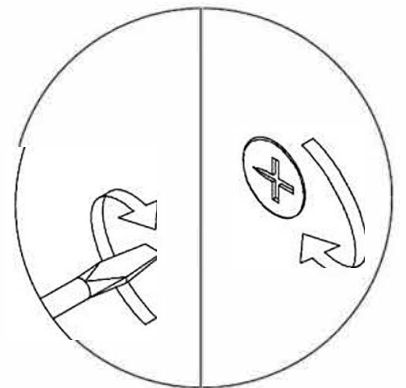
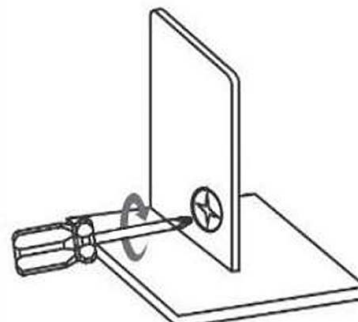
1. Screw the bolt into the corresponding panel.



2. Insert the cam lock in the hole of the other panel making sure it is aligned to engage with the bolt, then join both panels.



3. The panels might have a very small gap which is normal; turn the cam lock clockwise to lock the parts together and the gap will also close.



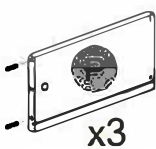
⚠ BEFORE YOU START THE ASSEMBLY, PLEASE READ THE FOLLOWING TIPS AND WARNINGS.

- ▣ Do a quick inventory to make sure the product contains all the parts and hardware.
- ▣ Missing, damaged and defective parts can be replaced at no cost to you. Please refer to the CONTACT and the WARRANTY cards included with the product.
- ▣ If during assembly you find an issue or need clarification, please contact our Customer Service for assistance. Please refer to the CONTACT card included with the product.
- ▣ On each step read the instructions and analyze the illustrations thoroughly before proceeding to do the assembly.
- ▣ To avoid misalignments, always leave the screws loose and tighten them until all pieces are positioned correctly.
- ▣ Do not overtighten or force the screws as they might break, strip, damage the threads of the holes or get stuck inside the part.
- ▣ Sometimes the laminate might cover partially or entirely the hole on a panel, but the hole should still be located under the laminate.
- ▣ If there is no visible hole for the screw, pass and press the tip of your finger over the area where the hole should be located to feel the indentation, and once found, carefully pierce the laminate to reveal the hole underneath.
- ▣ If the hole seems too small for the screw, first make sure you are using the correct size of screw and that it's been installed in the correct hole. If the hole still appears to be too small, carefully pierce the laminate to reveal the hole's actual size.
- ▣ Make sure you understand which hardware will be used on each step. Using the wrong size of screw, bolt or pin might cause damage to the part in which it is being used.

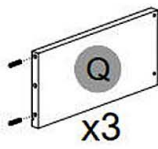
1

Install the wooden pins (1) into the corresponding holes on panels (B), (C), (D), (H), (I), (J), (K), (O), (P), (Q) as shown. Be careful as some holes are intended for other kind of hardware in other steps. **DO NOT JOIN ANY OF THE PANELS IN THIS STEP, JUST INSERT THE PINS.**

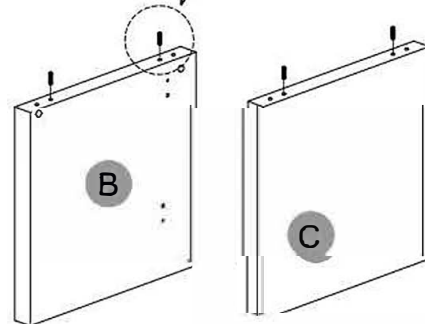
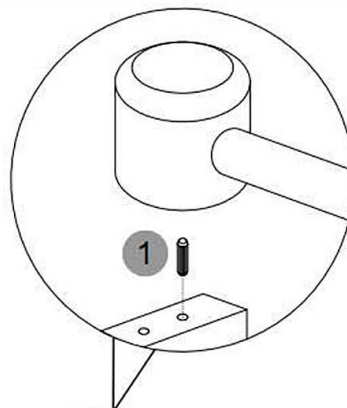
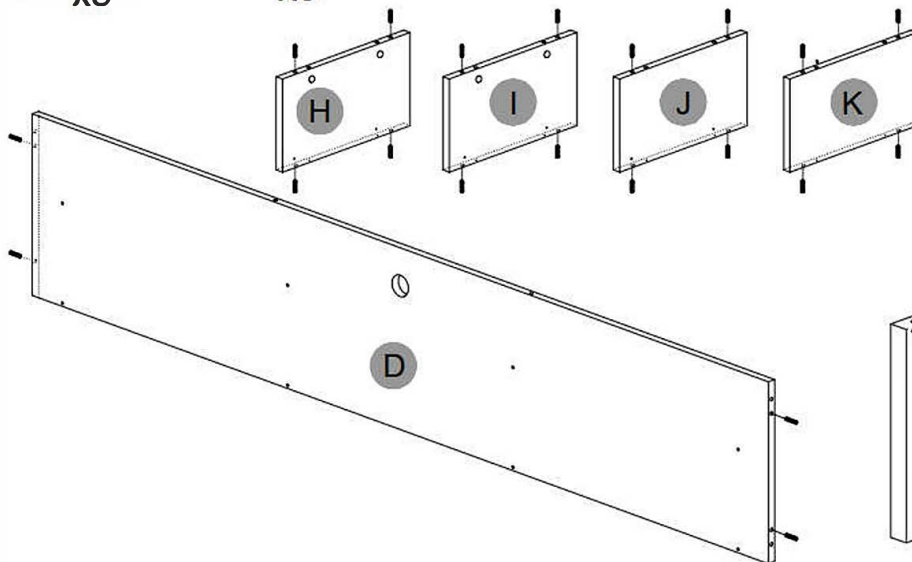
1 x 24Pcs



x3



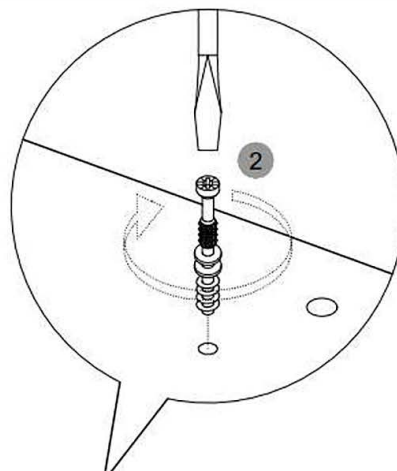
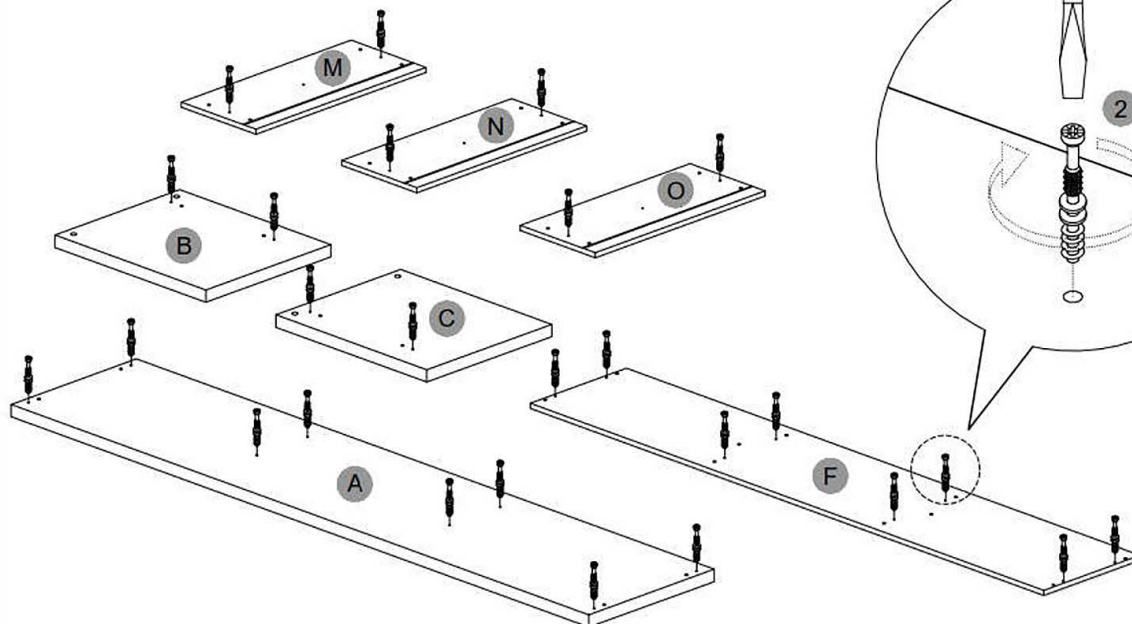
x3



2

Attach bolts (2) to panels (A), (B), (C), (F), (M), (N) and (O) as shown. Please be careful as some holes are intended for other kind of hardware in subsequent steps.

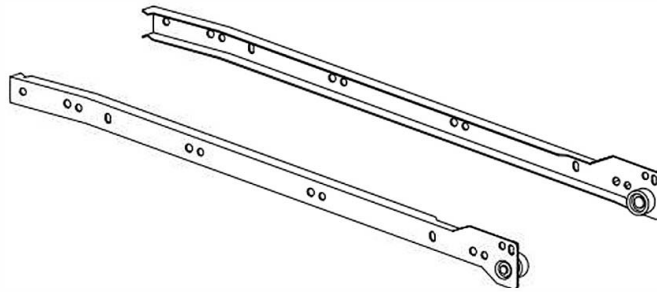
2 x 24Pcs



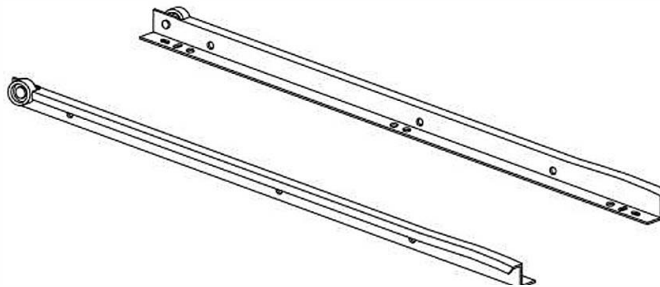
3

Grab the set of slider (11) and separate the 12 pieces according to their shapes :

- ☛ The 6 that are flat will be used in steps 4 and 5.
- ☛ The 6 that are shaped in "L" will be used until step 14, so please set them aside.



FLAT (STEP 4 AND 5)



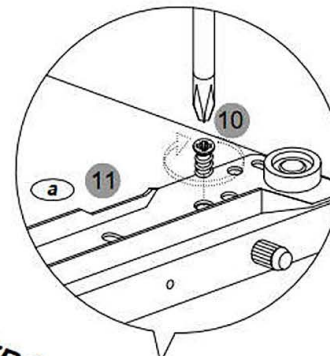
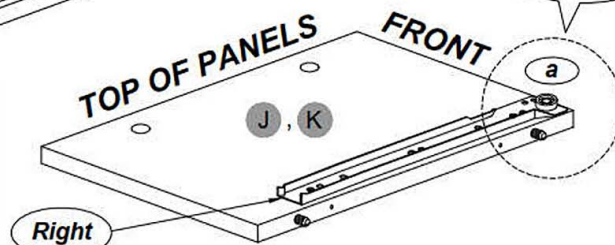
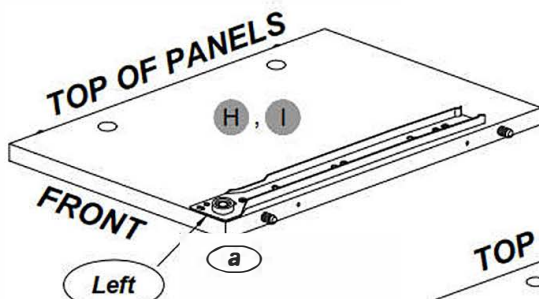
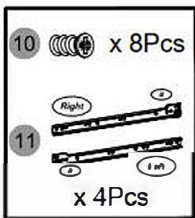
"L" (STEP 14)

4

Place the panels (H), (I), (J) and (K) oriented as shown, and assemble the flat sliders (11) at the bottom of the panels using screws (10).

NOTES:

- ☛ The wheel faces down and towards the front of the panels.
- ☛ The sliders will be flushed with the edge at the front.

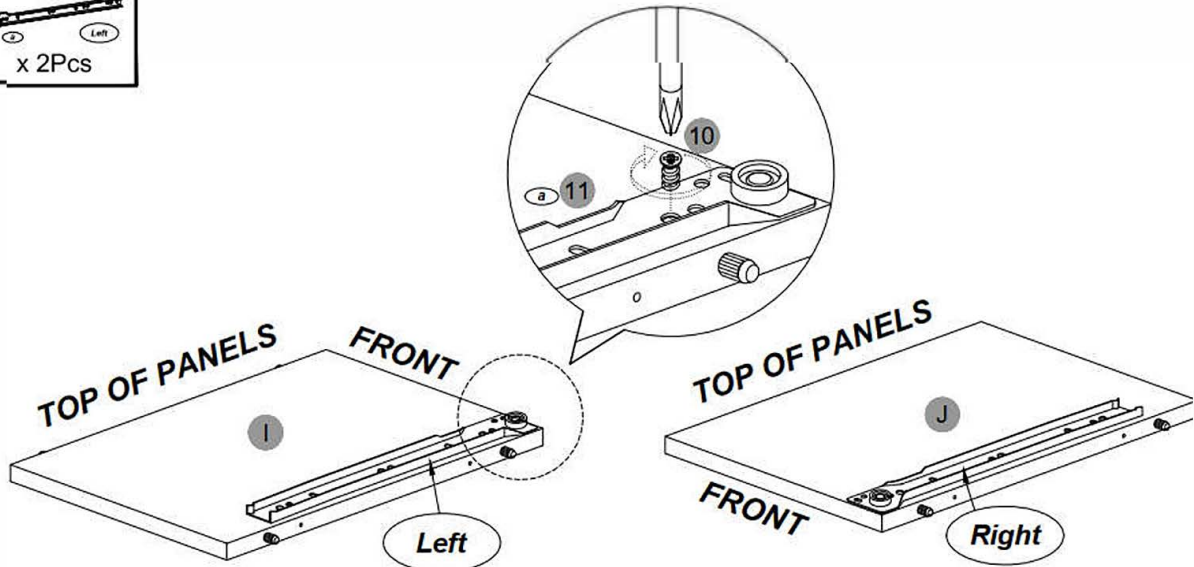
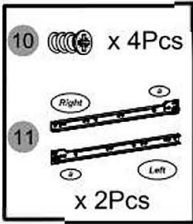


5

Flip the panels (I) and (J) and oriented as shown, assemble the flat sliders (11) at the bottom of the panels using screws (10).

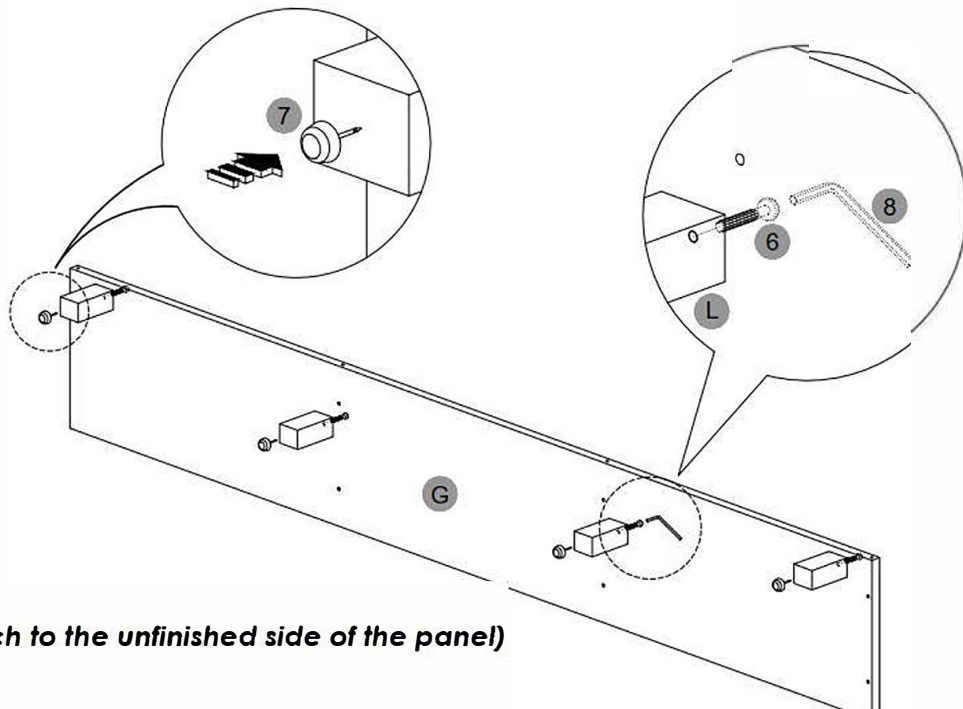
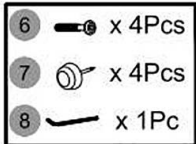
NOTES:

- ▣ The wheel faces down and towards the front of the panels.
- ▣ The sliders will be flushed with the edge at the front.
- ▣ Only the panels (I) and (J) will have sliders attached on both sides.



6

First assemble the wooden feet (L) to the unfinished side of the bottom panel (G) using screws (6) as shown. Then attach the plastic feet (7) to the wooden legs (L) as shown.



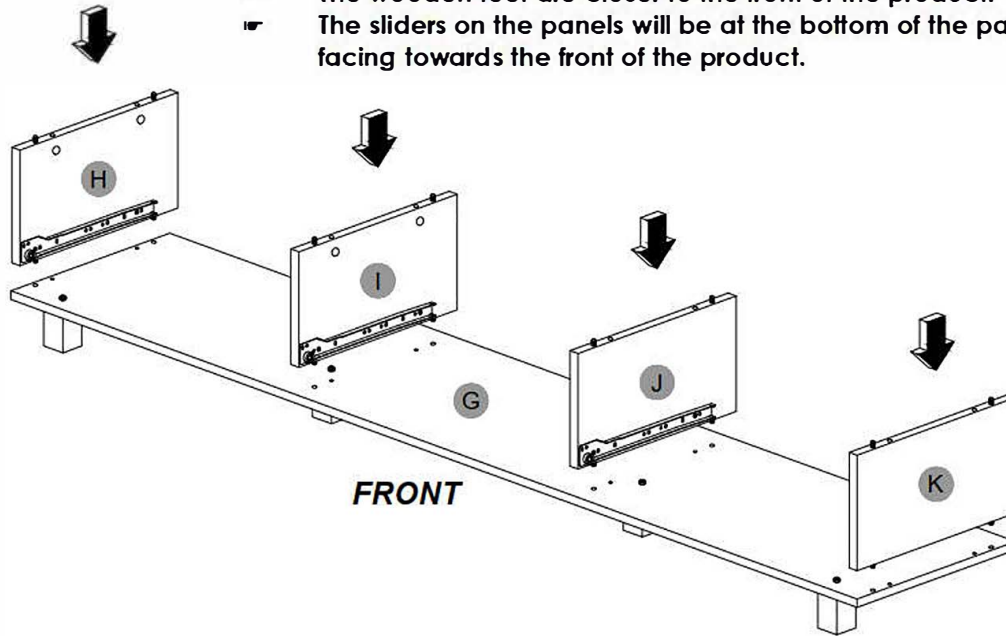
(Attach to the unfinished side of the panel)

7

Assemble panels (H),(I),(J) & (K) to bottom panel (G) as shown above.

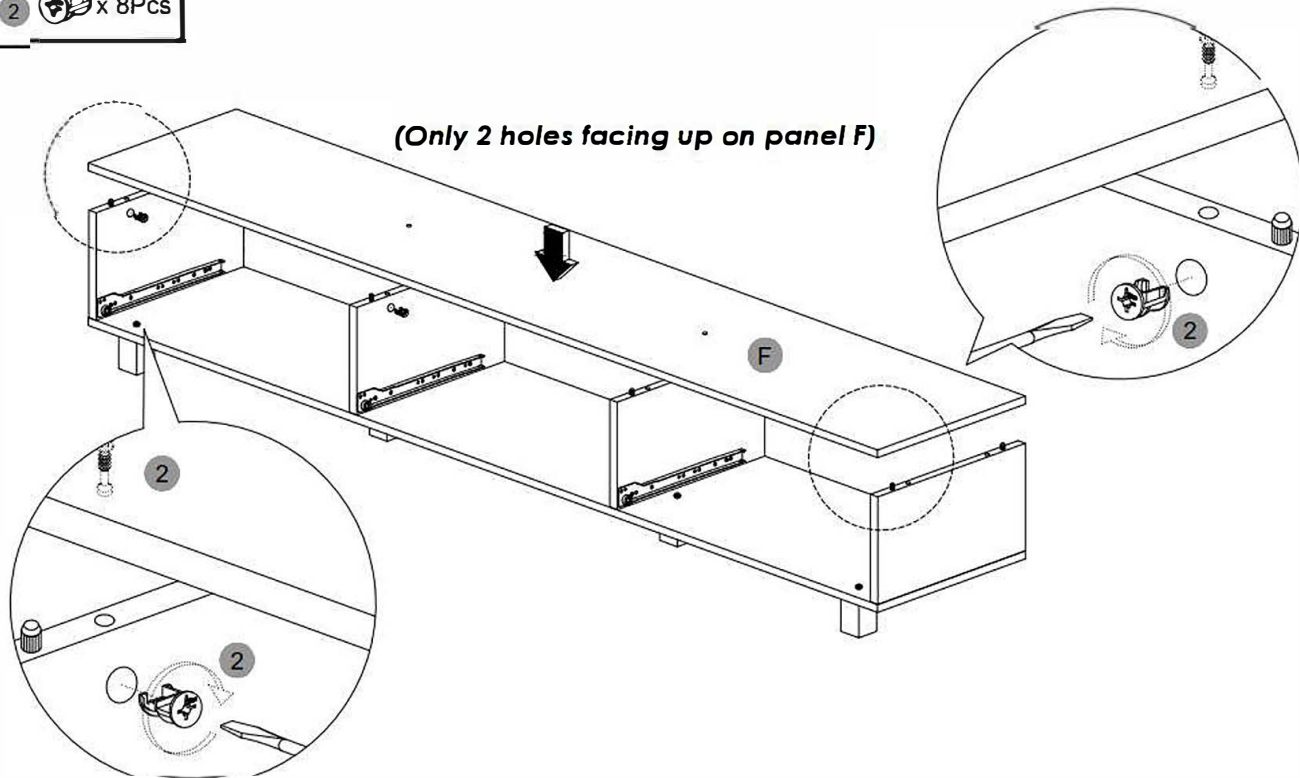
NOTES:

- ☛ The wooden feet are closer to the front of the product.
- ☛ The sliders on the panels will be at the bottom of the panels, and facing towards the front of the product.





8

Assemble the middle panel (F) to panels (H/I/J/K) using cam bolts/locks (2) as shown and explained in page 5.

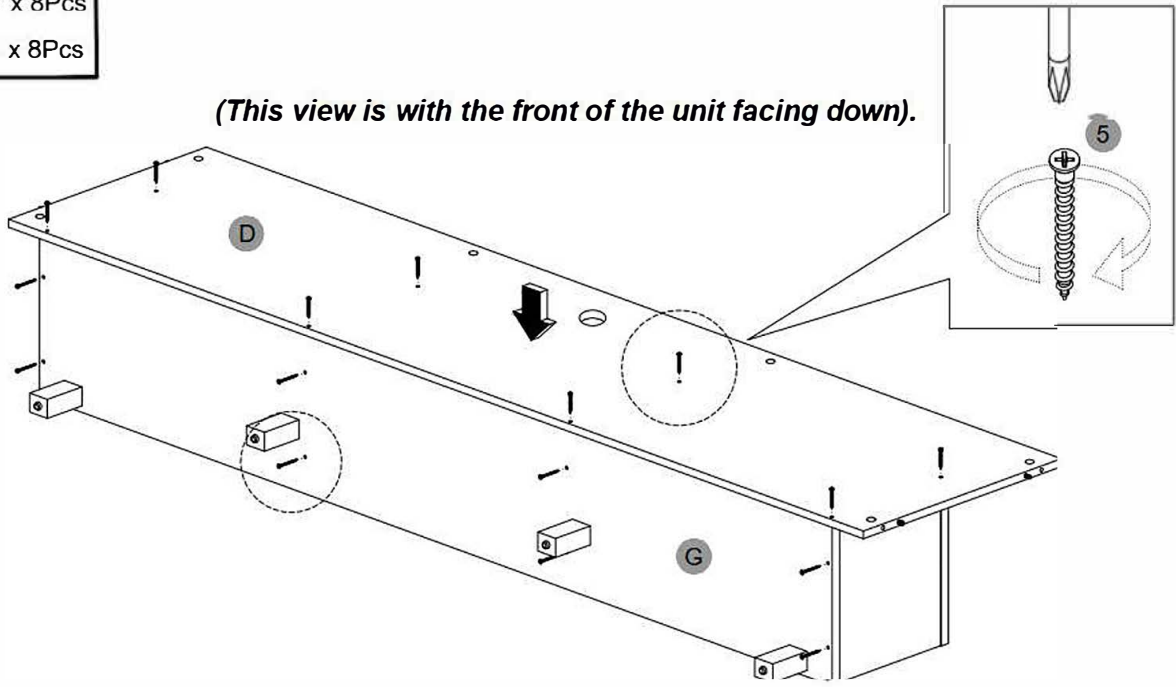


9

Assemble back panel (D) using screw (5). Then screw bottom panel (G) using screw (4) as shown.



- 4  x 8Pcs
- 5  x 8Pcs

(This view is with the front of the unit facing down).

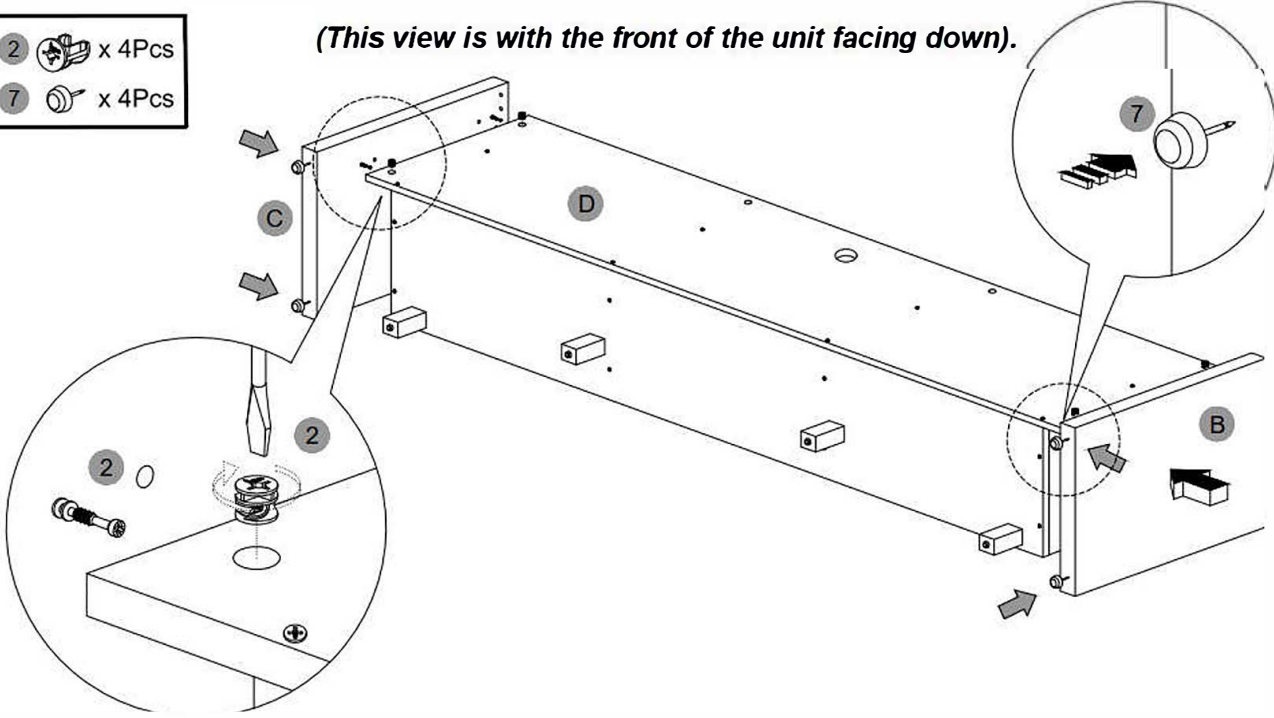


10



Assemble the exterior panels (B) and (C) to panel (D) using cam bolts/locks (2) as shown and explained in page 5. Then attach the plastic feet (7) to the bottom of (B) and (C) as shown.

- 2  x 4Pcs
- 7  x 4Pcs

(This view is with the front of the unit facing down).

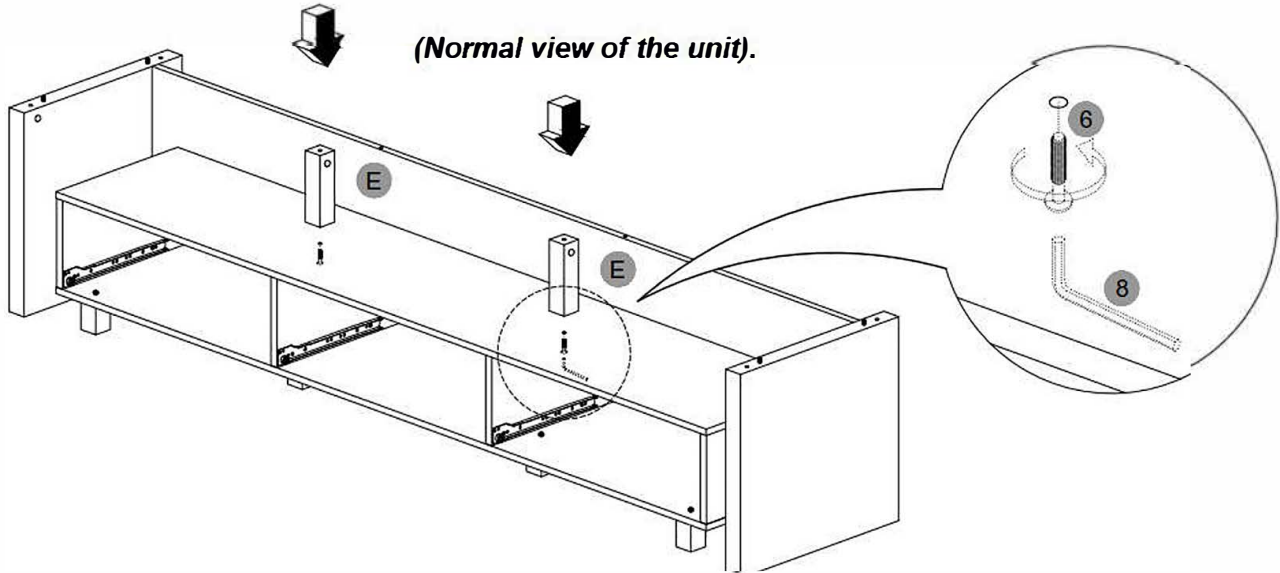


11 Assemble the support beams (E) to the middle panel (F) using screws (6) as shown.

- 6  x 2Pcs
- 8  x 1Pc

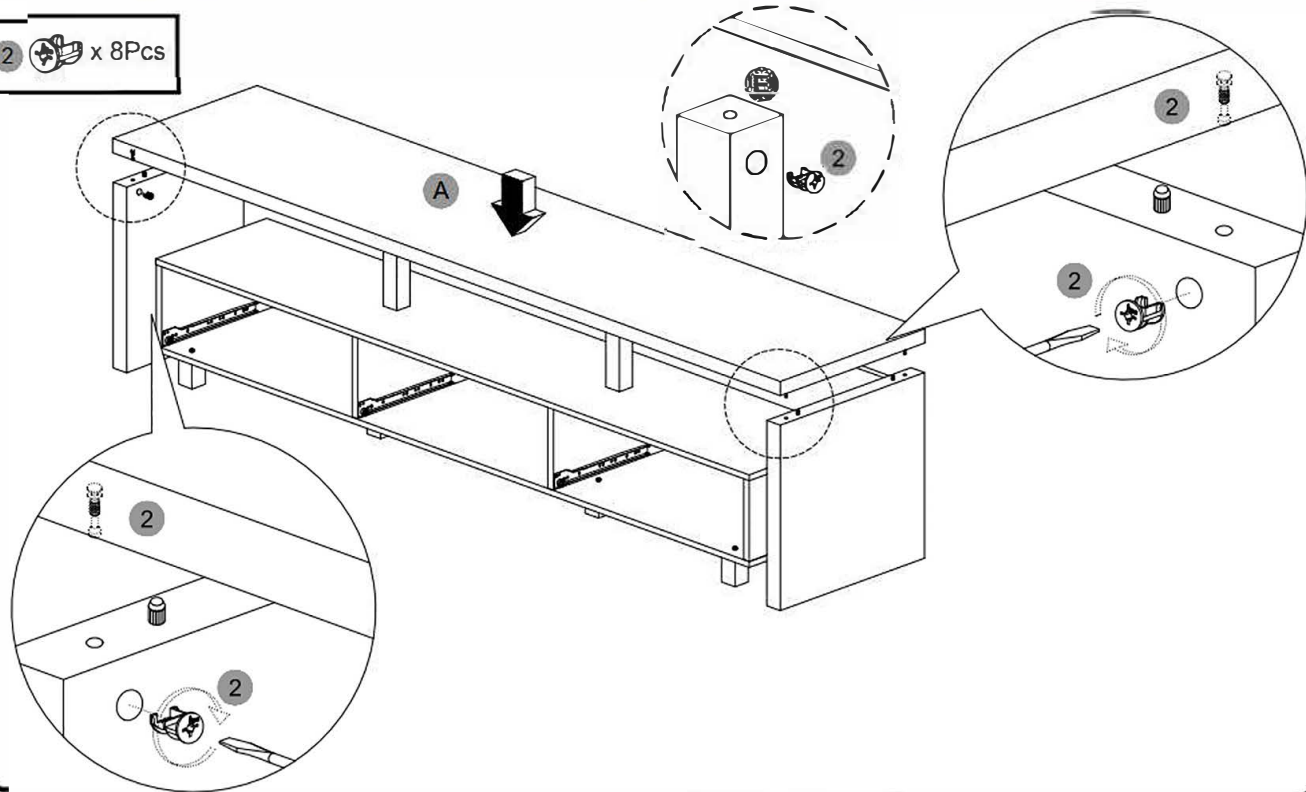
NOTES:

- ☛ The big hole on the support beam (E) goes facing up and to the side, not the back.
- ☛ If you leave the big hole of (E) facing to the back, you won't be able to do step 12.

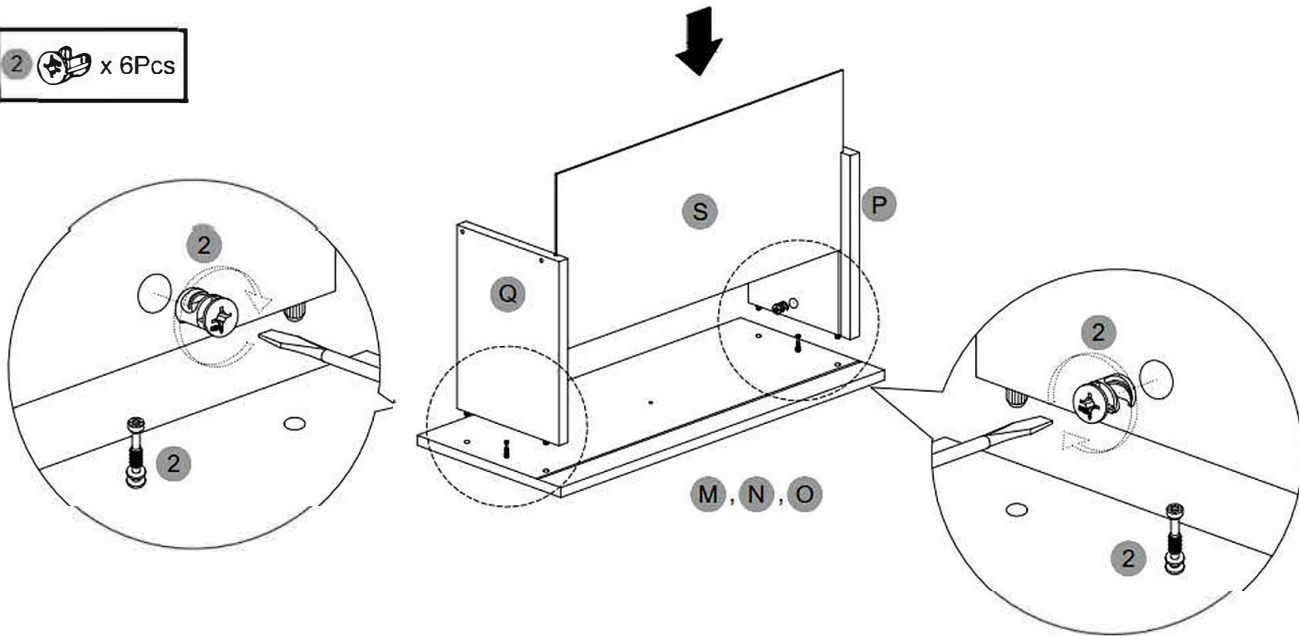
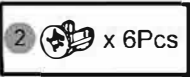


12 Assemble the top panel (A) to the support beams (E), the exterior panels (B), (C) and the back panel (D) using cam bolts/locks (2) as shown and as explained in page 5.

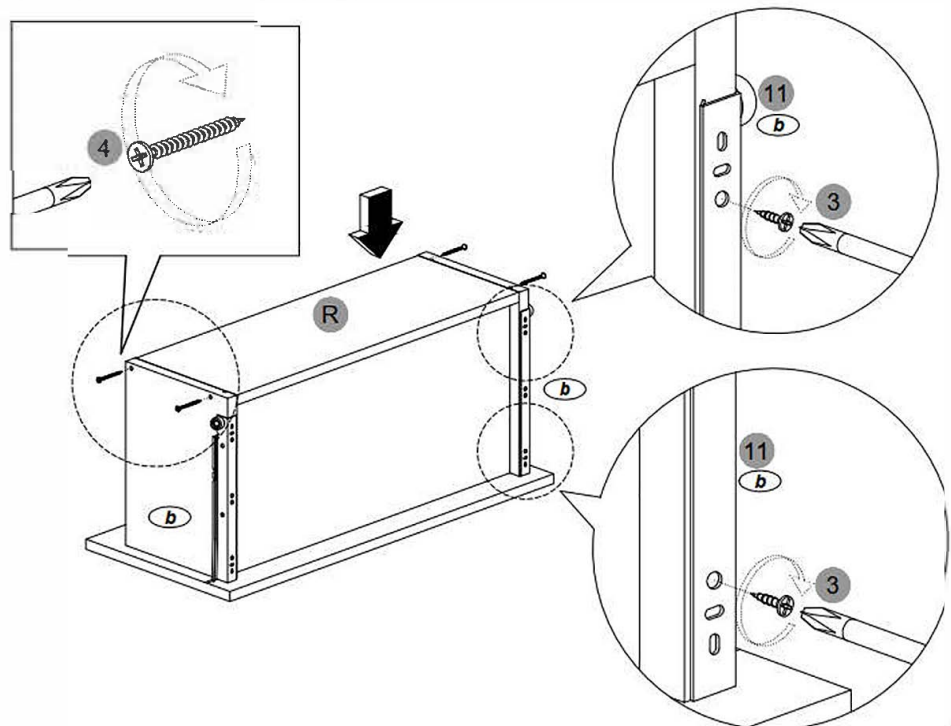
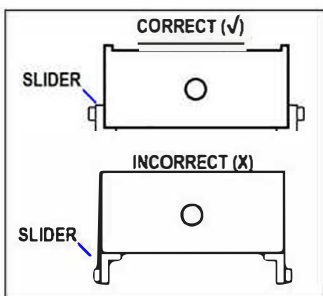
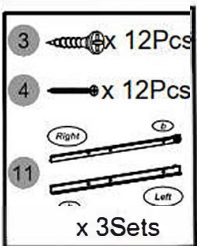
- 2  x 8Pcs



13 First assemble the drawer side panels (P) and (Q) to the drawer front panel (M) using cam bolts/locks (2) as shown and explained in page 5. Then insert the bottom panel (S) thru the groves on panels (M/P/Q) as shown. Finally, repeat the procedure with the front panels (N) and (O).




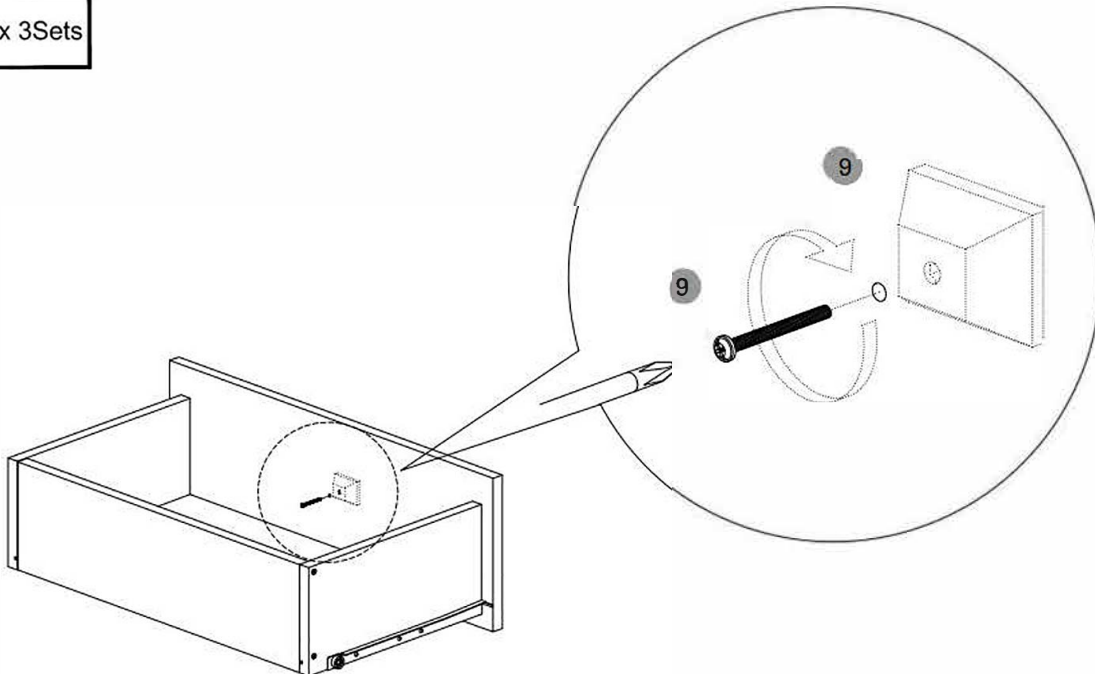
14 In all 3 drawers, assemble the back panel (R) to the side panels (P/Q) using screws (4) as shown. Then assemble the L-shape sliders (11b) using screws (3). Note that the wheel will face to the back of the drawer, and the slider must touch the wood on the bottom and sides. The drawers won't fit in the stand if the sliders are protruding at the bottom of the drawers!



15

Attach the handle (9) to each drawer using its own screw as shown.

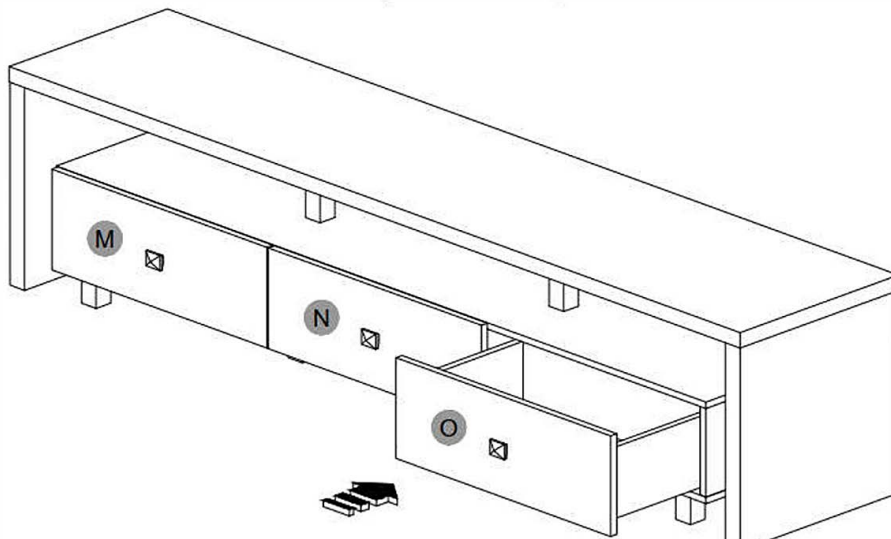
9  x 3Sets



16

Install all 3 drawers as shown.

**DRAWERS MUST BE INSTALLED EXACTLY IN THE ORDER SHOWN:
DRAWER WITH FRONT PANEL "M" AT LEFT, "N" AT CENTER AND
"O" AT RIGHT, OTHERWISE, DRAWERS WILL OVERLAP EACH OTHER.**



⚠ AFTER THE ASSEMBLY IS DONE, PLEASE READ THE FOLLOWING WARNINGS FOR CARE AND MAINTENANCE:

- ☛ Do not exceed the weight limits.
- ☛ Do not expose the surfaces to direct sunlight or to extreme environmental conditions.
- ☛ Clean the surfaces preferable with a soft cloth dampened with a solution of mild soap and water, then dry with a clean towel.
- ☛ If you decide to apply a cleaning agent, first test on a small area of the unit that is hidden from view, for example, under the main panel.
- ☛ Do not sit on the unit.
- ☛ Do not allow small children to climb over the unit.
- ☛ Do not allow small children to reach inside the drawers without your supervision.
- ☛ Before moving the unit within the same room or to an adjacent room:
 - a) Remove all objects from the top and drawers that are heavy or might fall off.
 - b) The unit must be handled by at least 2 persons.
 - c) Use both of your hands and bend your knees, not your backs.
- ☛ To transport the unit to a location far away from its current location, it is recommended to properly secure it to avoid breakage during transit.
- ☛ The warranty does not extend to damages caused by accidents, own errors, incorrect or improper assembly, negligence, improper use, modifications, or not heeding the above warnings.
The warranty is valid only within the continental United States. If you reside in Hawaii, Puerto Rico, U.S. Dependencies or other countries, please contact the supplier from where the unit was purchased.
- ☛ Making any kind of modification to the unit voids the manufacturer's warranty.
- ☛ For details on the warranty, please refer to the Warranty Document included with the product, or visit online:
technimobili.com/pages/techni-mobili-desk-warranty