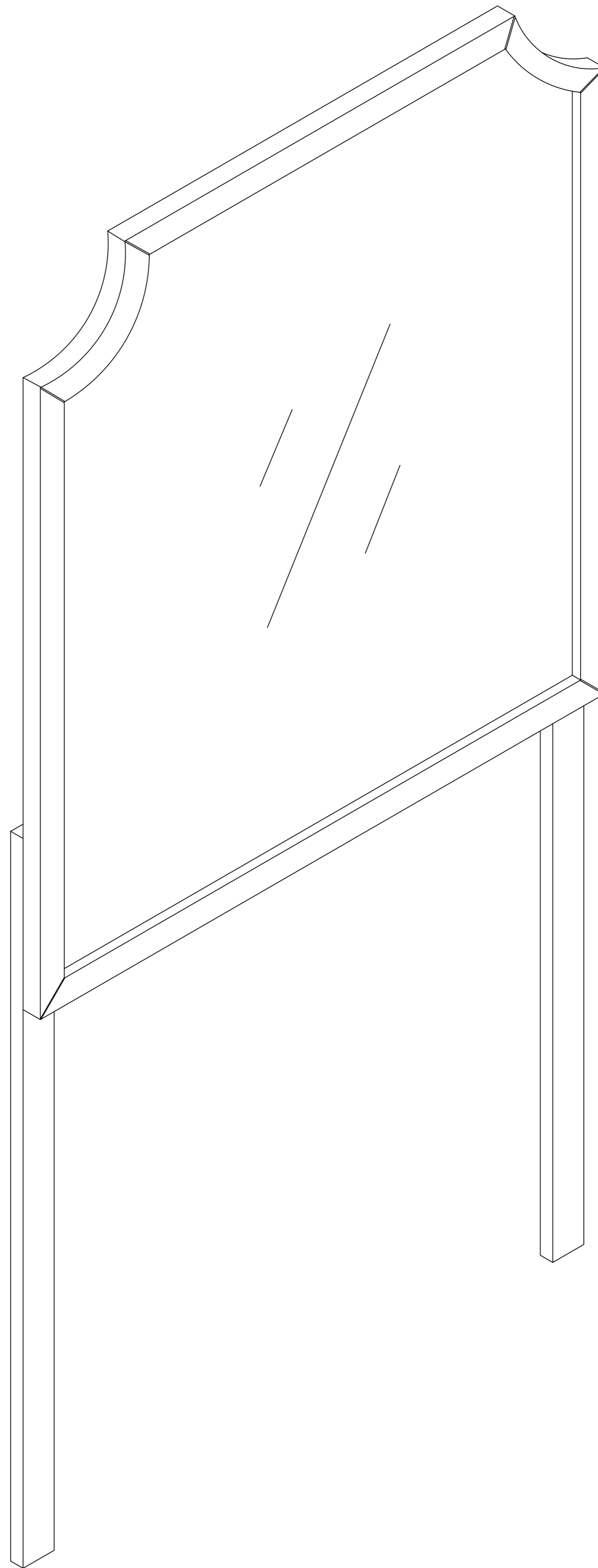


# ASSEMBLY INSTRUCTIONS

**Item No : WF299174AAK**

**Description : MIRROR**

Thank you for purchasing this quality product. Be sure to check all packing material carefully for small part that may have come loose inside carton during shipment.



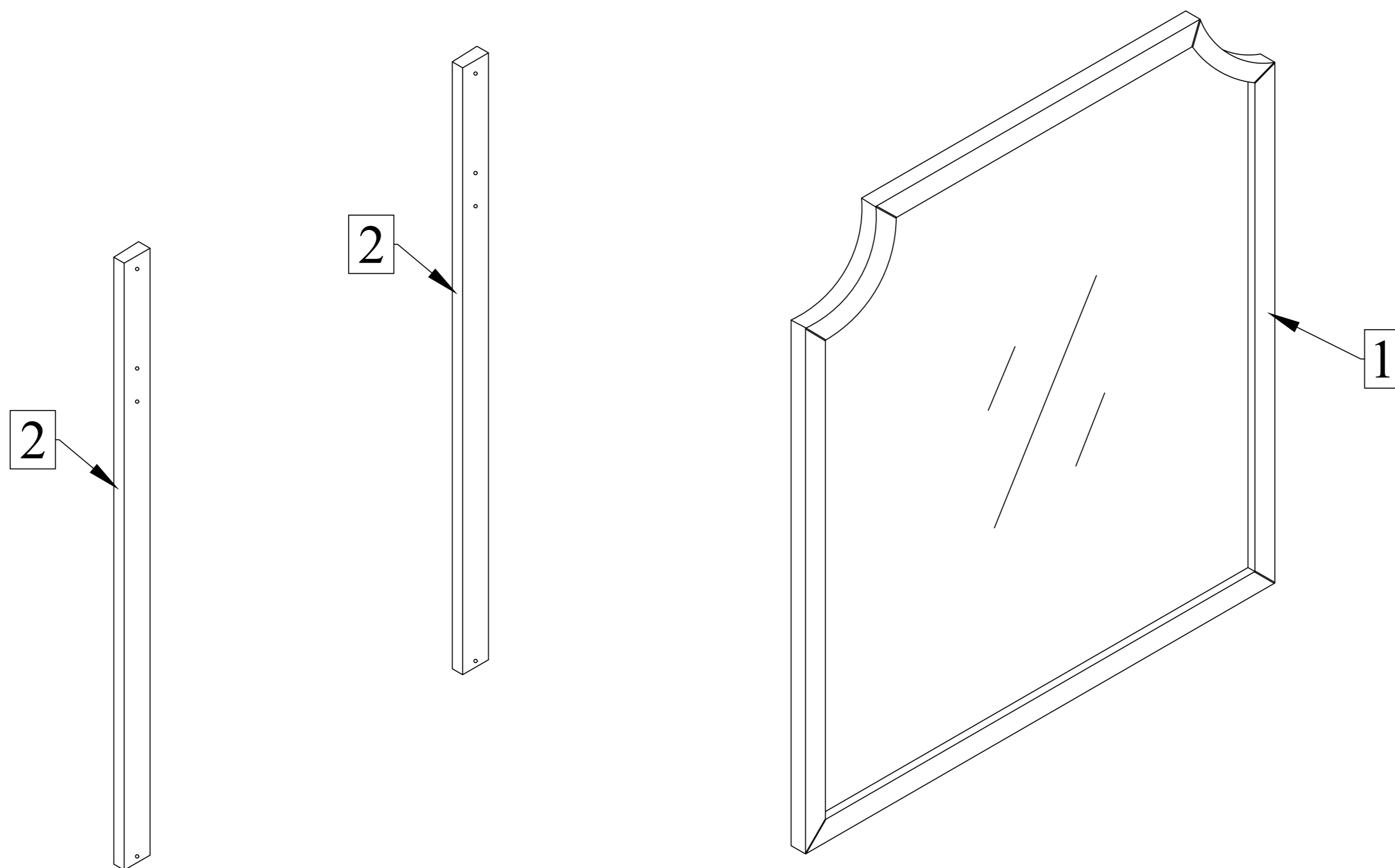
**WF299174AAK**

# ASSEMBLY INSTRUCTIONS

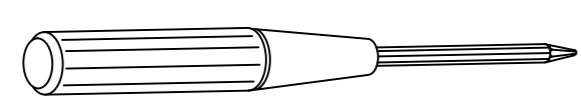
Item No : WF299174AAK

Description : MIRROR

Thank you for purchasing this quality product. Be sure to check all packing material carefully for small part that may have come loose inside carton during shipment.

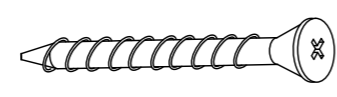


## TOOLS REQUIRED (Not provided)



Screwdriver

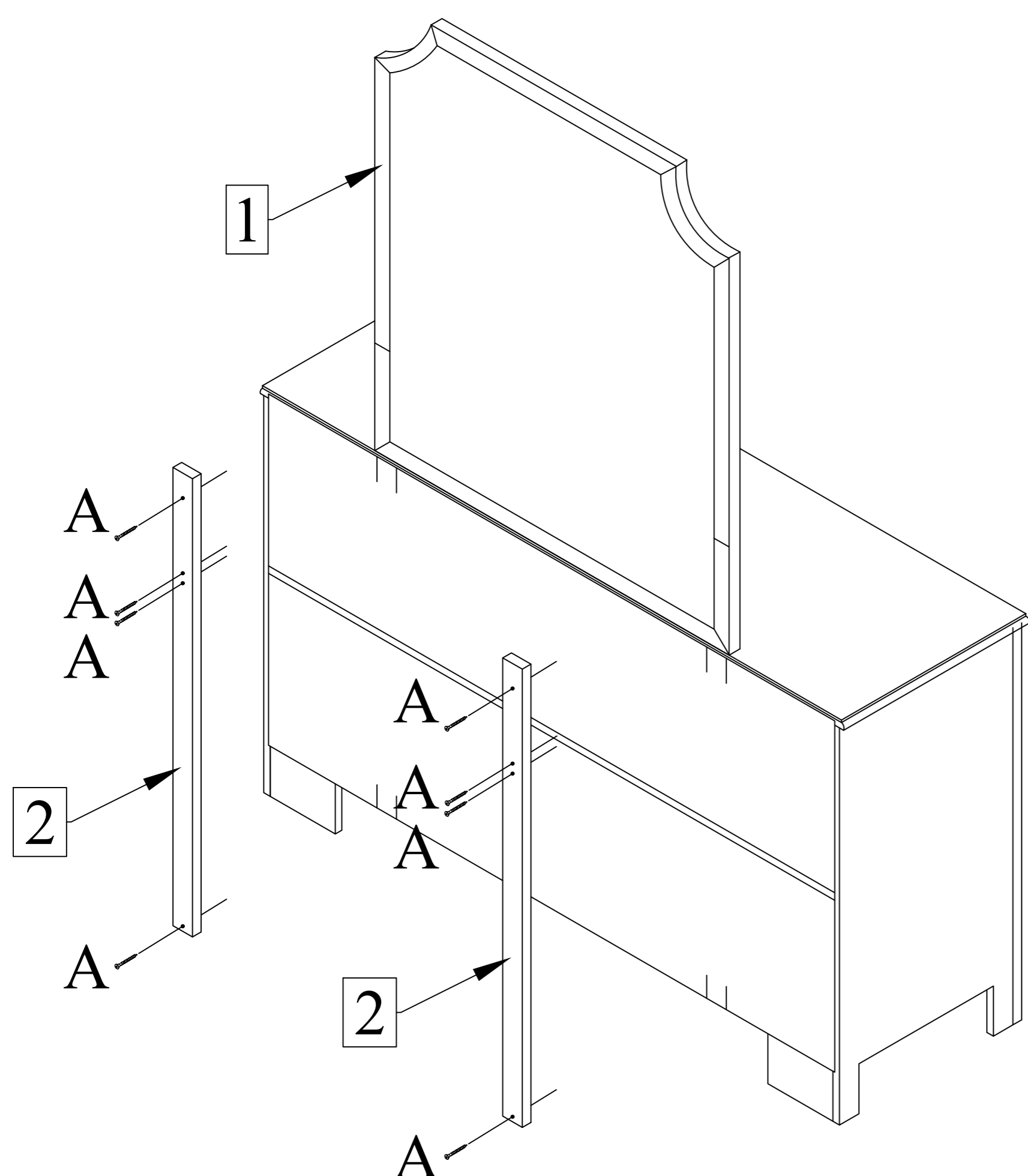
## Hardware List

No.	Description	Sketch	Quantity
A	Screw M4 x 32MM		8PCS

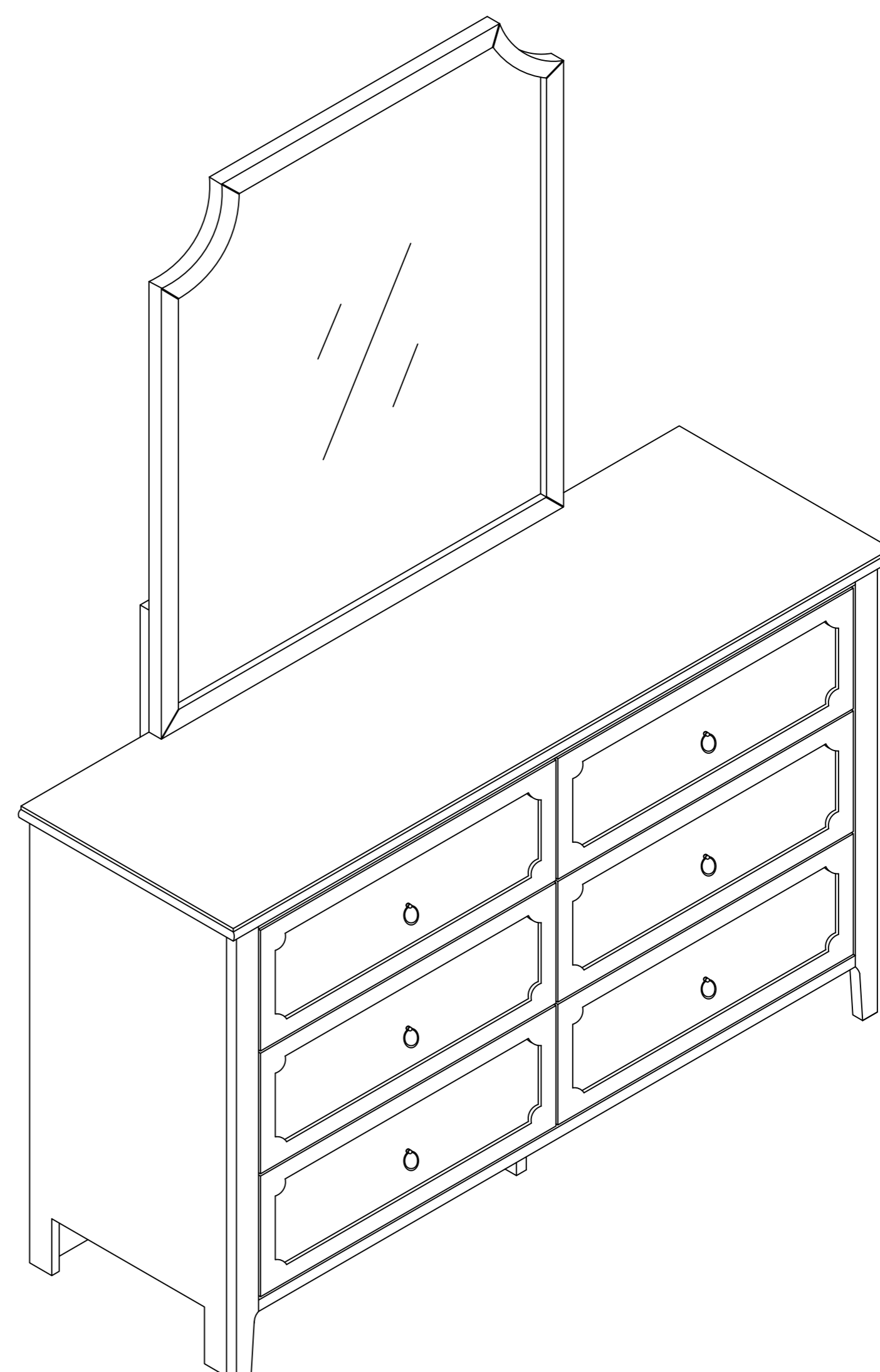
## Part List


No.	Description	Quantity
1	Mirror	1PC
2	Support Rail	2PCS

Step 1 : Attach Support Rails (2) to connect Mirror (1) and Dresser WF299164AAK using Screw (A). Guidance lines can be found as shown.



Completed assembly.



A	Screw M4 x 32MM		8PCS
---	-----------------	-------------------------------------------------------------------------------------	------