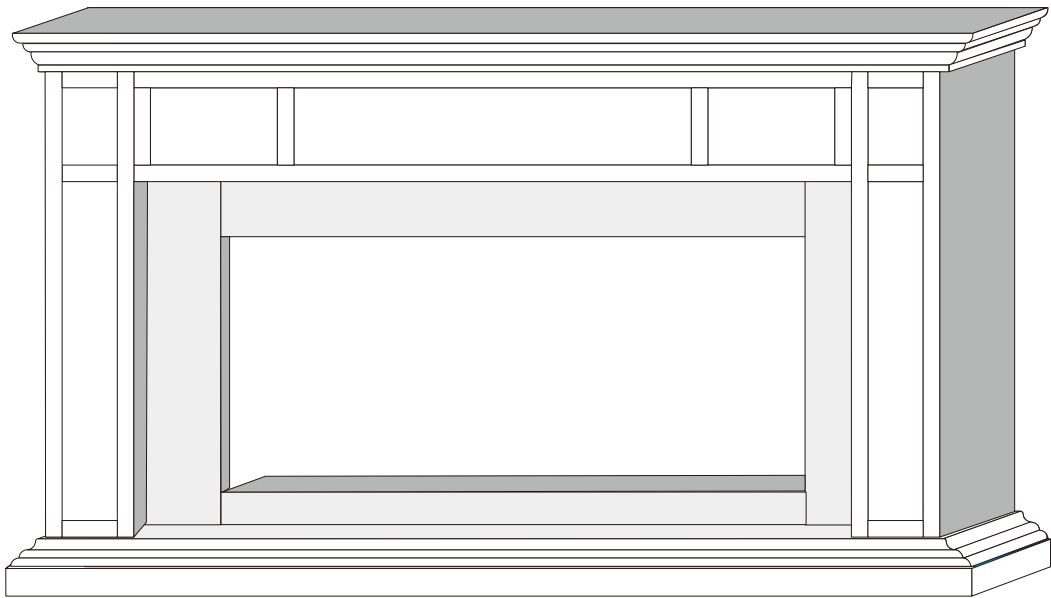


IMPORTANT INSTRUCTIONS AND OPERATING MANUAL

FIREPLACE MANTEL SURROUND



F11DLS1750/F11D1750/F11CZ1750

If you want to learn more about the installation tutorial, please scan our youtube QR code, we have a professional installation video for you to solve the problem.



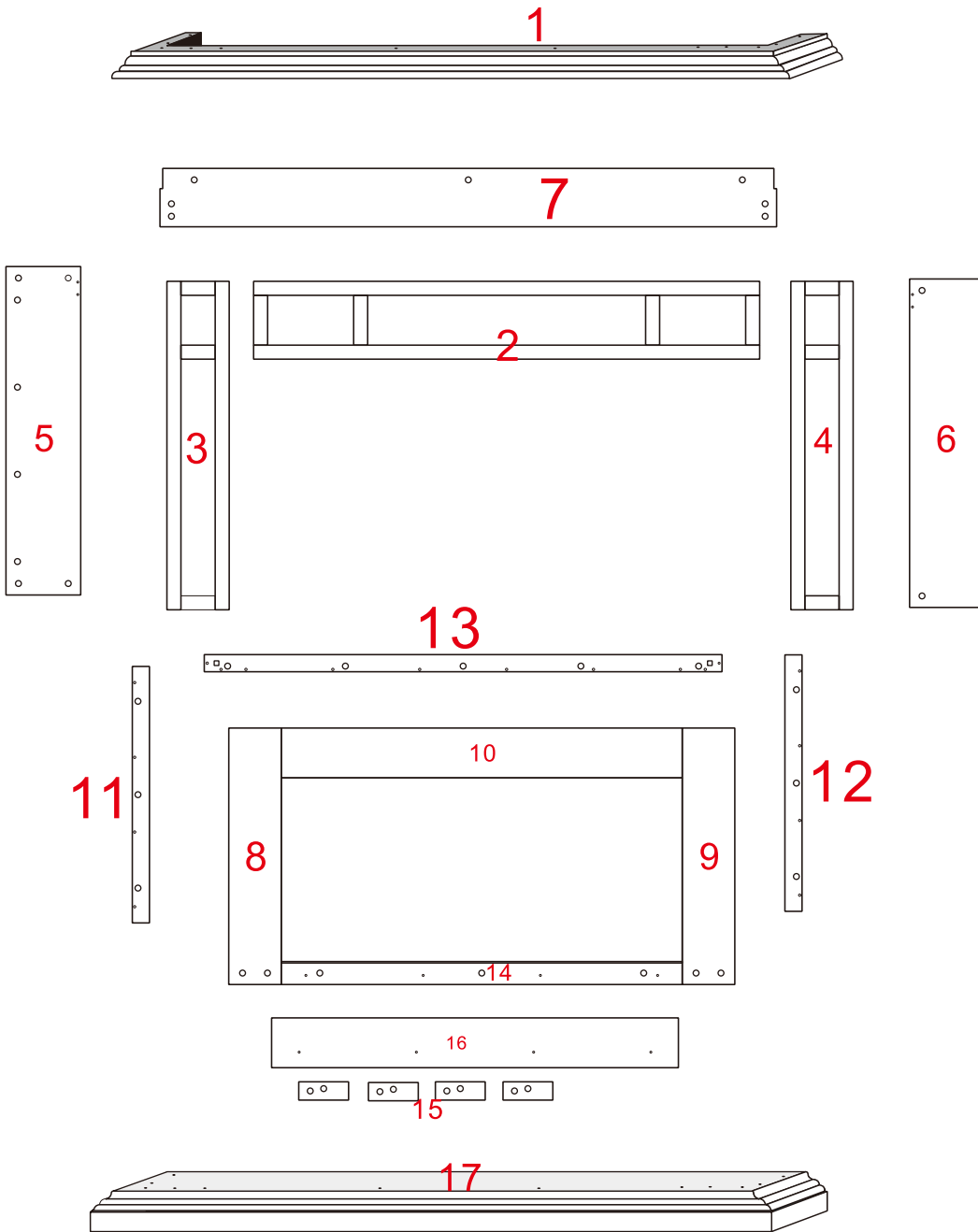
IMPORTANT SAFETY INSTRUCTIONS









NOTE

1. Please read all instructions carefully.
2. Retain instructions for future reference.
3. Separate and count all parts and hardware.
4. Read through each step carefully and follow the proper order.
5. We recommend that, where possible, all items are assembled near to the area in which they will be placed in use, to avoid moving the product unnecessarily once assembled.
6. Always place the product on a flat, steady and stable surface.
7. Keep all small parts and packaging materials for this product away from babies and children as they potentially pose a serious choking hazard.

1.0 PACKING LIST



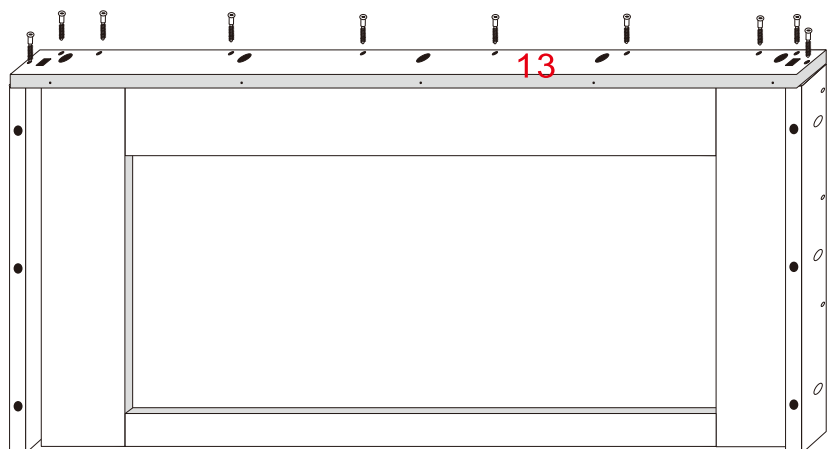
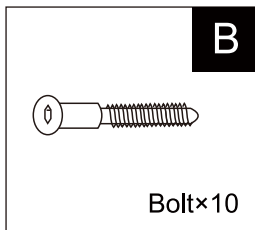
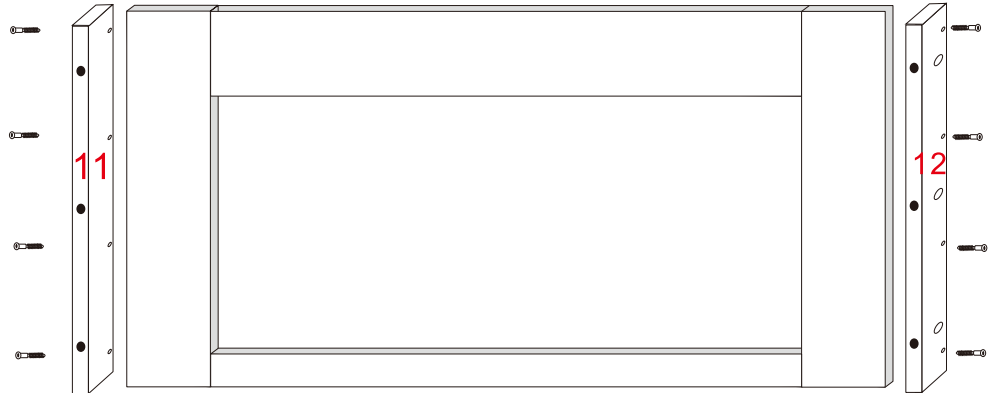
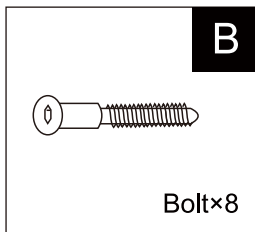
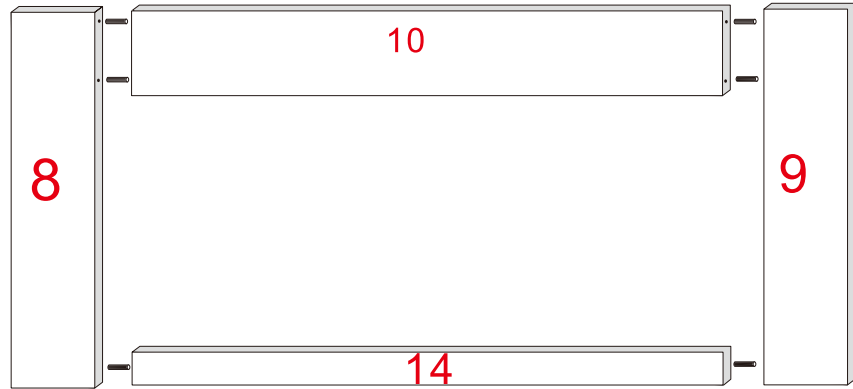
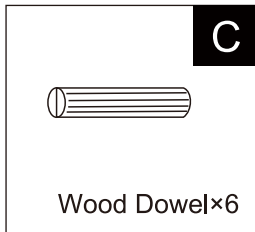
	A1
Metal Dowel×61	
	A2
Metal Cam×61	
	B
Bolt×22	
	C
Wood Dowel×10	
	D
Phillips Screwdriver×1	
	E
Hex Key×1	

1	Top ×1	6	Side Panel ×1	11	Inner Side Panel ×1	16	Pallets ×1
2	Outer Upper Panel ×1	7	Back Panel ×1	12	Inner Side Panel ×1	17	Bottoms ×1
3	Outer Front Panel ×1	8	Inner Front Panel ×1	13	Inner Roof ×1		
4	Outer Front Panel ×1	9	Inner Front Panel ×1	14	Lower Panel ×1		
5	Side Panel ×1	10	Inner Upper Panel ×1	15	Support Block ×4		

2.0 FRAME ASSEMBLY

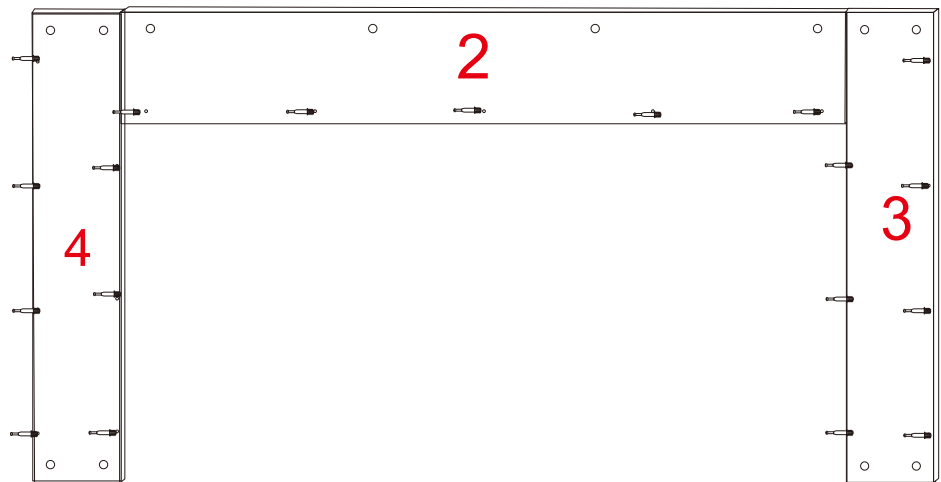
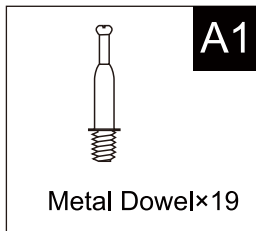
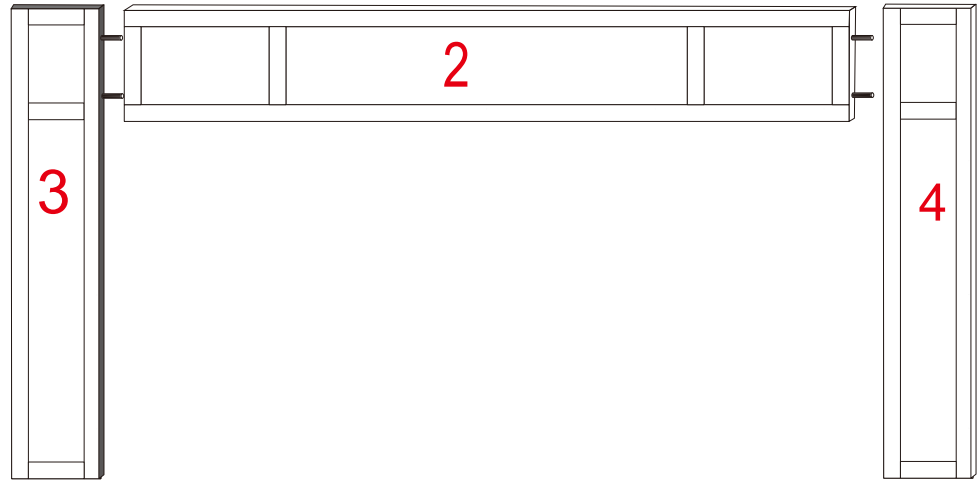
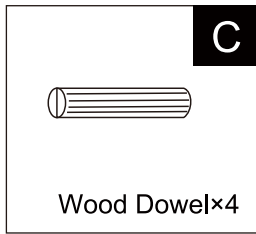
Step 1

Assemble the Inner Frame Lay all parts flat on a level surface. Use connector C to join parts 8, 9, 10, and 14 to form the inner frame panel. Then, attach parts 11, 12, and 13 to the inner frame panel using connector B



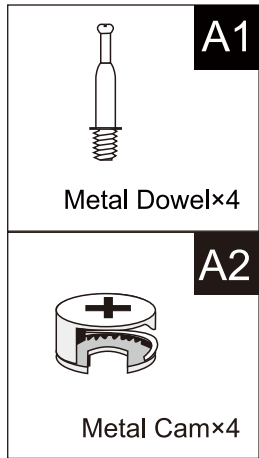
Step 2

Assemble the Outer Frame Panel On a level surface, lay out all components. Connect parts 2, 3, and 4 using connector C to create the outer frame panel. Attach part A1 to the back of the outer frame panel.



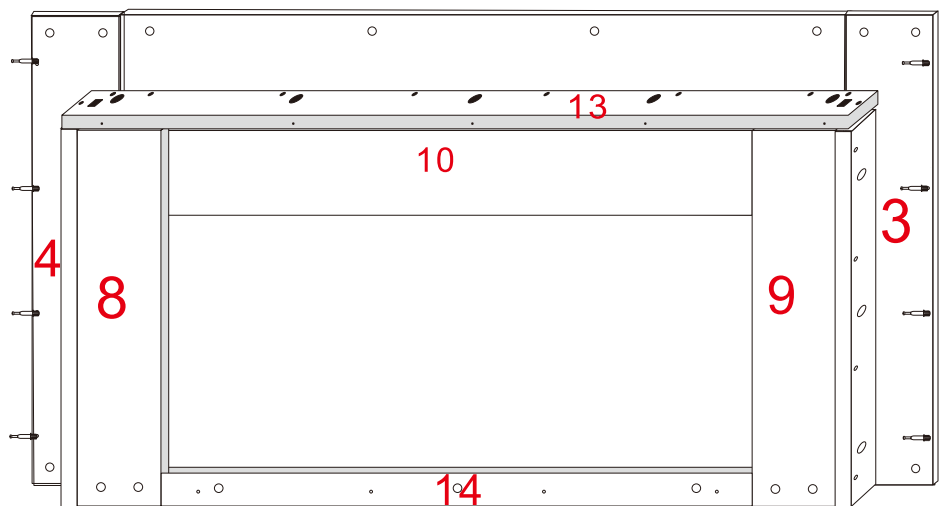
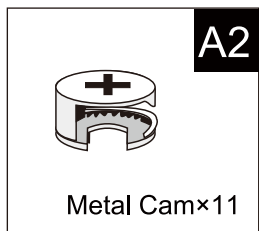
Step 3

Assemble the Outer Frame Support Position part 7 on a flat surface. Use connectors A1 and A2 to attach parts 5 and 6 to part 7, forming the outer frame support.



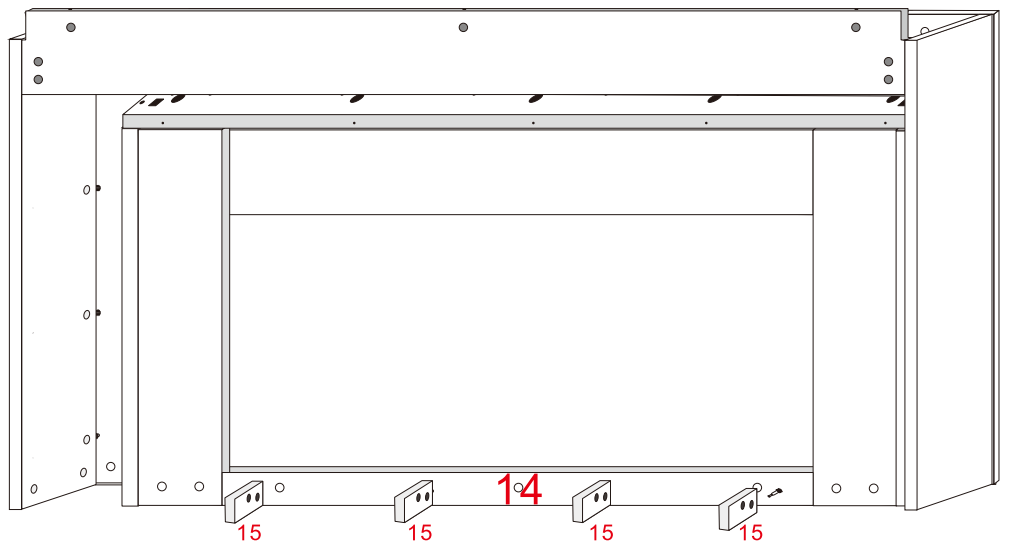
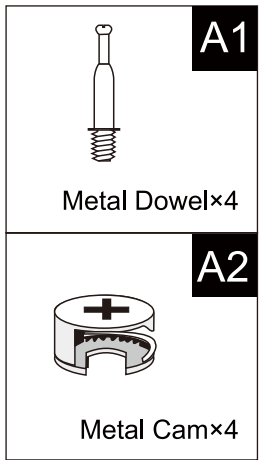
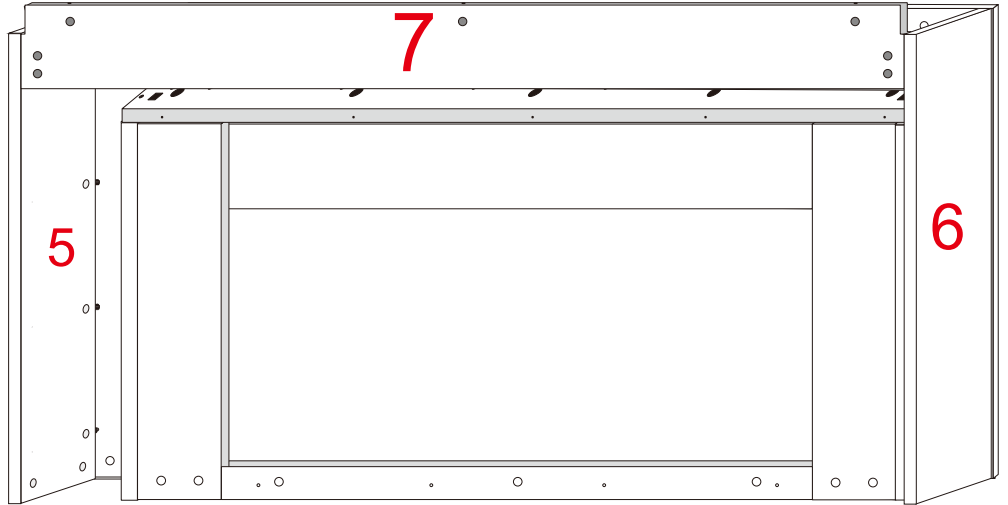
Step 4

Connect Inner Frame to Outer Frame Panel Align the inner frame with the outer frame panel as shown in the diagram. Secure it using connector A2.



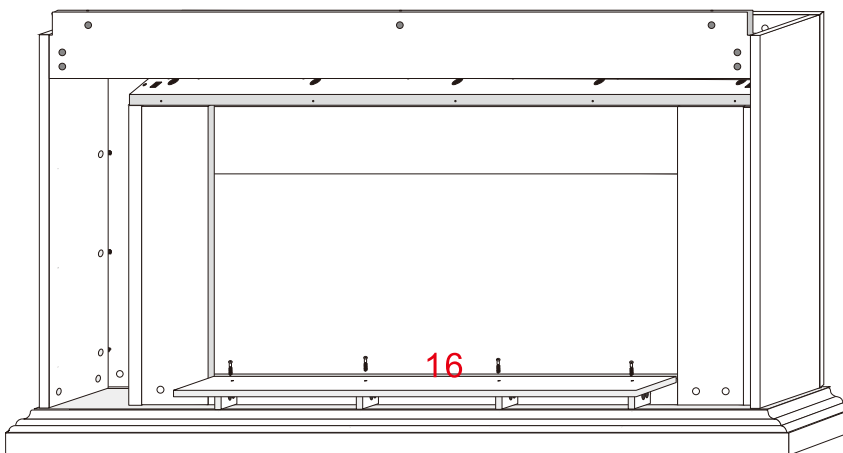
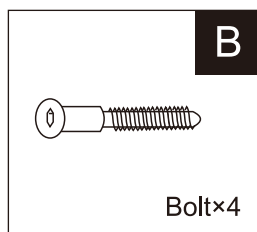
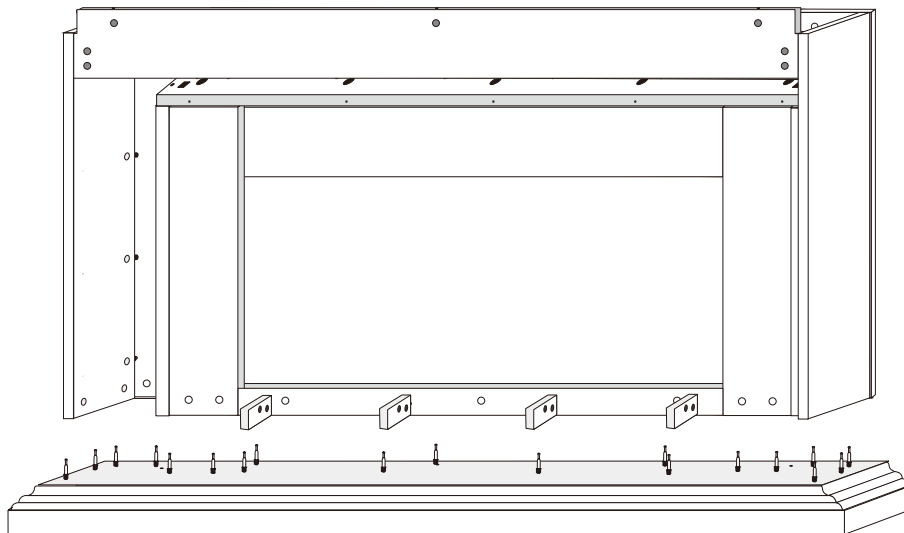
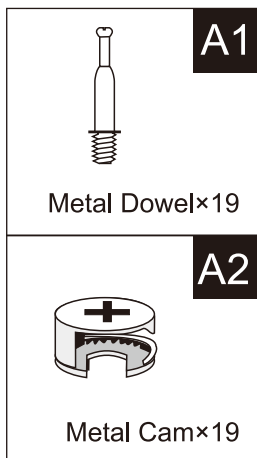
Step 5

Connect Outer Frame Support to Outer Frame Panel Attach the outer frame support to the outer frame panel according to the diagram, securing it with connector A2. Use connectors A1 and A2 to attach part 15 to part 14.



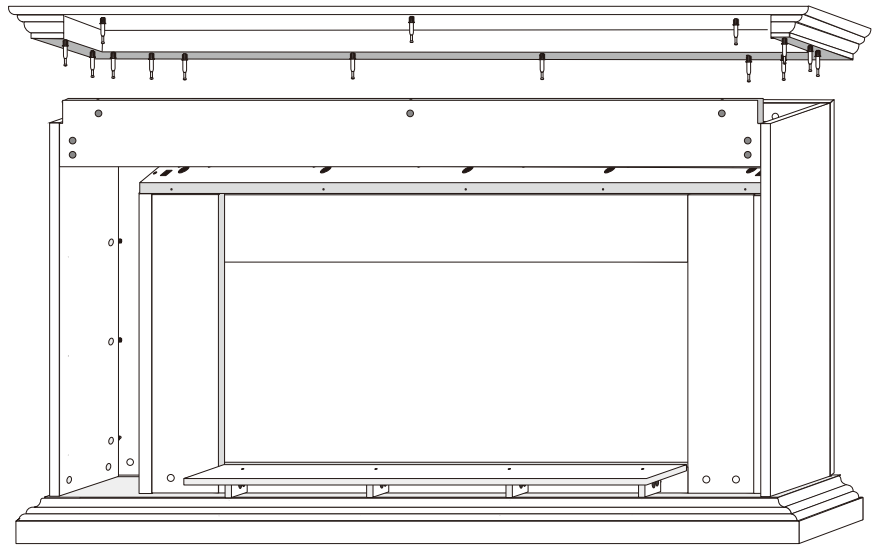
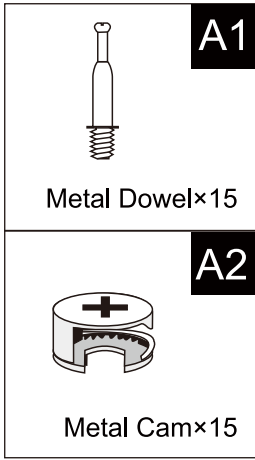
Step 6

Install the Base Attach part A1 to part 17. Stand the entire frame up and align it with part 17, securing it with connector A2. Connect parts 15 and 16 using connector B.

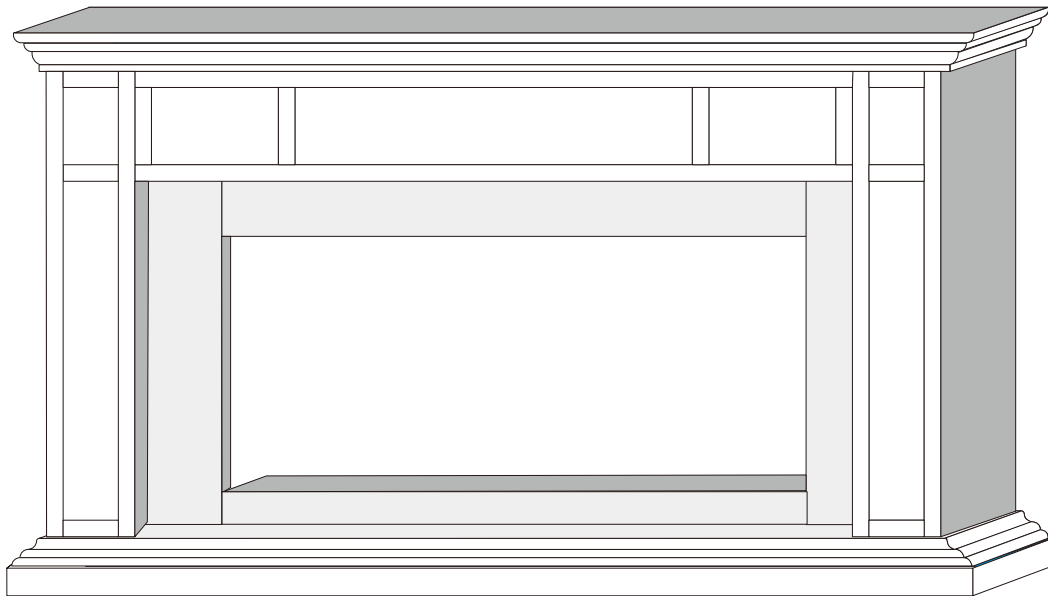


Step 7

Install the Top Piece Attach part A1 to part 1, then align part 1 with the frame to complete the assembly.

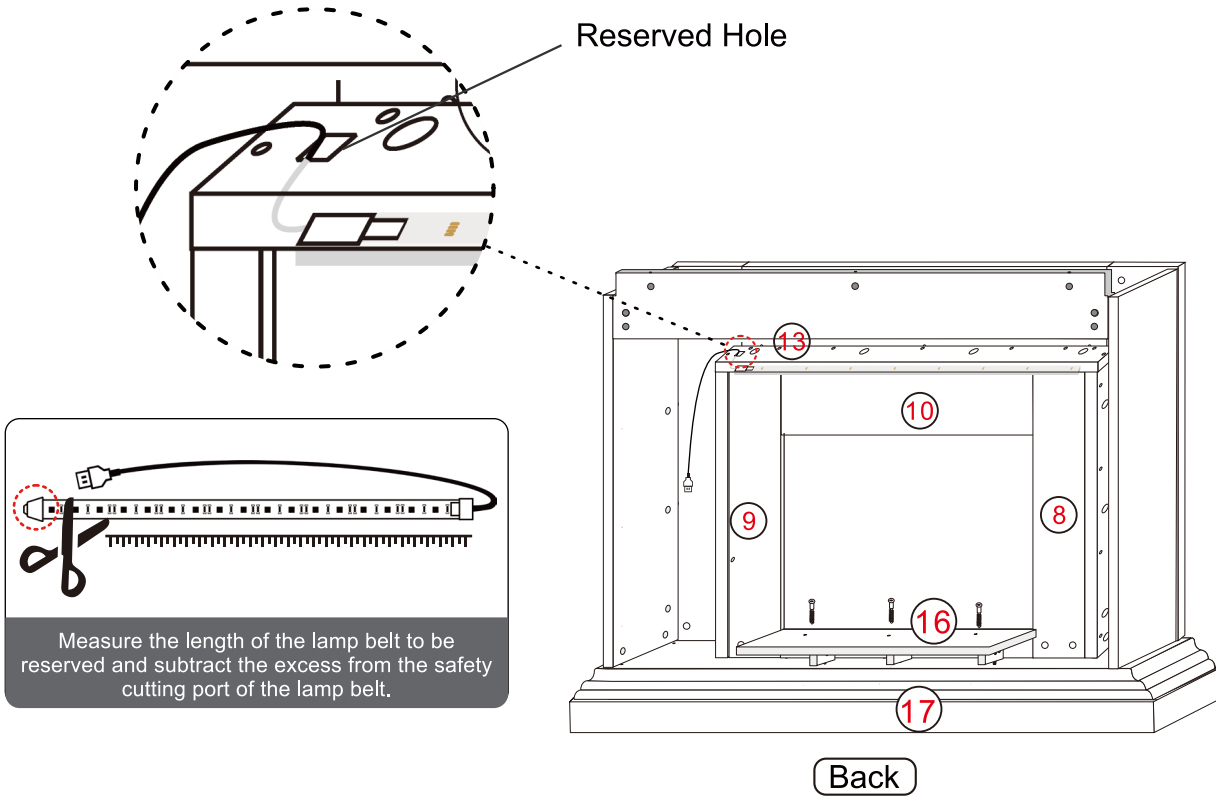


Done

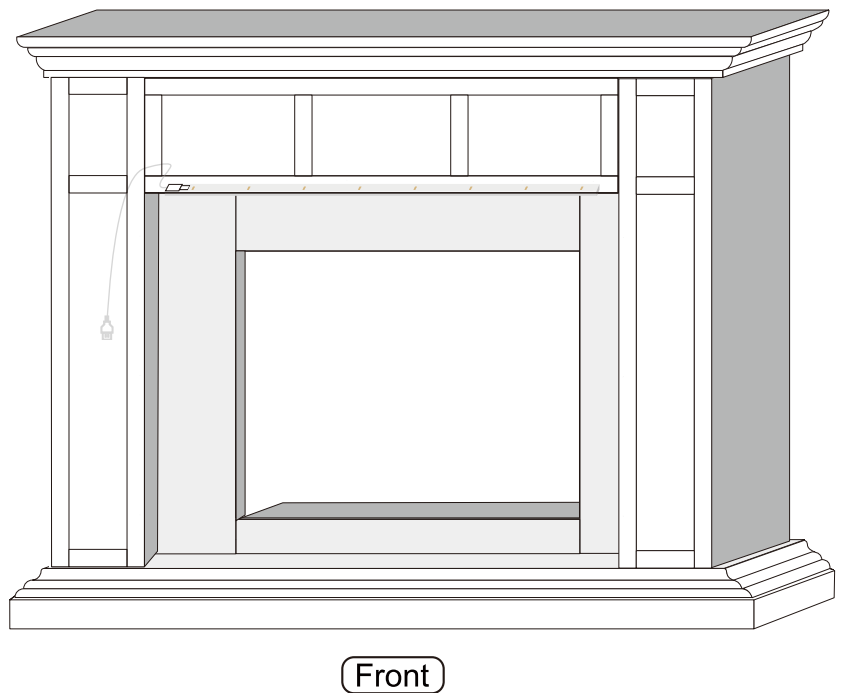


3.0 LIGHT STRIP INSTALLATION

Thread the light belt through the reserved hole on the side of component 13 and attach it to the lower side of component 13.



We have more professional and clear video tutorials to help you install, please scan the QR code to watch



4.0 ADAPTATION SPECIFICATION

1. This product is only suitable for EF03-42 electronic fireplaces
2. Please read the instructions provided with the electronic fireplace carefully before installing it
3. The following are instructions for installing the EF03-42 into the ring mantel only

From the Front

Figure1

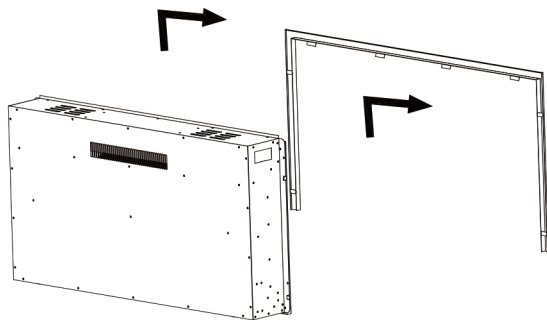
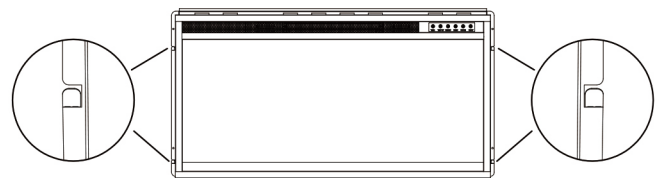


Figure2



1.Remove the trim,as shown.[Figure1]

2.Find the fireplace brackets on the sides of fireplace and tilt them 10-15 degrees toward the front.[Figure 2]

Figure3

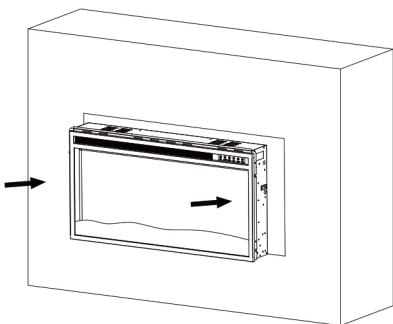
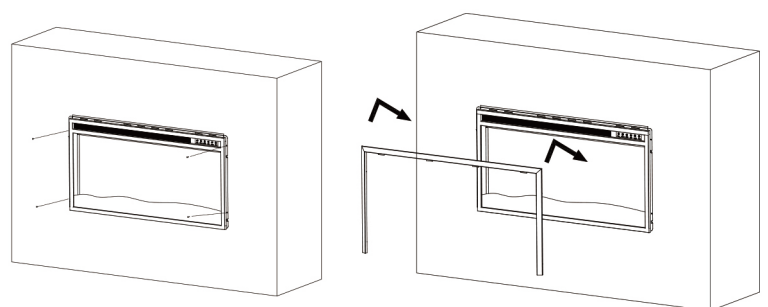


Figure4



3. Locate the final location of your fireplace. Making sure that you have clear access to an electrical outlet, position the fireplace mantel close to it's final location, leaving enough room to access the front of the mantel. Use (4) M4 * 8 mm Wood Screw(B) to affix the fireplace to firebox [Figure 3]

4. Clip the trim bracket onto the fireplace bracket, ensuring the trim is securely connected. [Figure 4]